



US00D813971S

(12) **United States Design Patent**  
**Aragao**

(10) **Patent No.:** **US D813,971 S**

(45) **Date of Patent:** **\*\* Mar. 27, 2018**

(54) **FIREARM SUPPRESSOR COVER SLEEVE**

D441,877 S \* 5/2001 Fortier ..... D25/122  
6,237,820 B1 \* 5/2001 Saxton ..... A45F 3/16  
215/395

(71) Applicant: **Alceu Aragao**, Miami, FL (US)

7,073,426 B1 7/2006 White

(72) Inventor: **Alceu Aragao**, Miami, FL (US)

(Continued)

(\*\*) Term: **15 Years**

**OTHER PUBLICATIONS**

(21) Appl. No.: **29/580,432**

Suppressor Cover, ArmageddonGear.com, [online], [site visited Oct. 12, 2017]. <URL: <http://www.armageddongear.com/Suppressor-Cover>> (Year: 2017).\*

(22) Filed: **Oct. 10, 2016**

(Continued)

(51) **LOC (11) Cl.** ..... **22-01**

(52) **U.S. Cl.**

USPC ..... **D22/108**

(58) **Field of Classification Search**

USPC ..... D22/108, 100, 101, 103, 104, 199;  
D21/572, 573; 42/90, 94, 134, 136, 139,  
42/125, 72, 111; 362/110; 33/241, 277;  
313/105 R; 89/40.06, 41.19, 37.04,  
89/33.04, 191.01, 200-204; 124/67, 66,  
124/72, 74; D25/119-125  
CPC ..... F41A 21/30; F41A 21/325; F41A 13/00;  
F41A 35/04

See application file for complete search history.

*Primary Examiner* — T. Chase Nelson

*Assistant Examiner* — Jonathan J. Han

(74) *Attorney, Agent, or Firm* — The Rapacke Law Group, P.A.

(57)

**CLAIM**

The ornamental design for a firearm suppressor cover sleeve, as shown and described.

**DESCRIPTION**

(56) **References Cited**

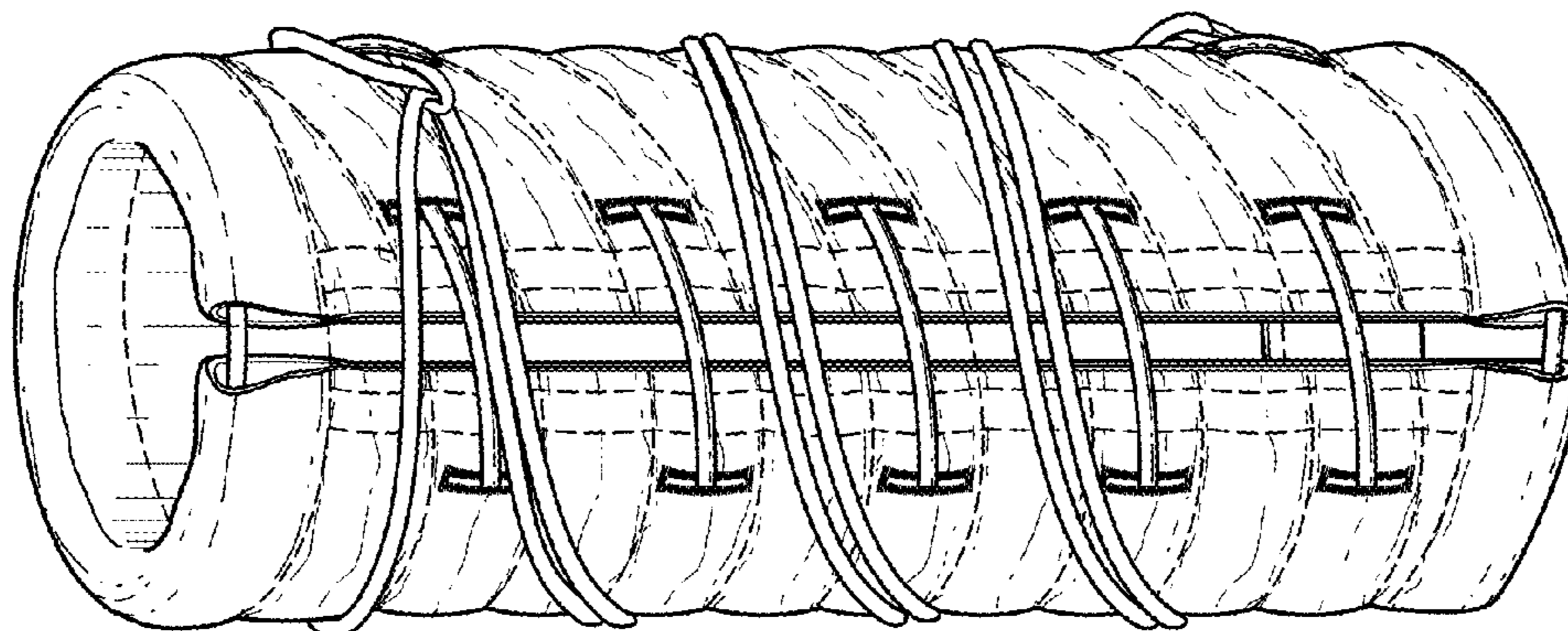
**U.S. PATENT DOCUMENTS**

- 1,395,485 A \* 11/1921 Duncan ..... C10H 21/00  
150/154
- 1,736,383 A \* 11/1929 Waggoner ..... B65D 65/08  
150/154
- 3,030,250 A \* 4/1962 Losse ..... F16L 59/022  
138/147
- 4,588,043 A 5/1986 Finn
- 5,048,572 A \* 9/1991 Levine ..... B29C 61/0608  
138/110
- D327,516 S \* 6/1992 Ingvarsson ..... D25/122
- D371,725 S \* 7/1996 Moreno ..... D7/624.3
- D380,886 S \* 7/1997 Hauser ..... D1/125
- 5,661,920 A \* 9/1997 Evans ..... F41G 1/38  
150/154
- 5,850,706 A \* 12/1998 Evans ..... G02B 27/0006  
150/154
- D433,880 S \* 11/2000 Herrera ..... D7/625

FIG. 1 is view of a firearm suppressor mounted onto a firearm with the firearm suppressor cover sleeve attached; FIG. 2 is a perspective view thereof; FIG. 3 is a front view thereof; FIG. 4 is a rear view thereof; FIG. 5 is a left side view thereof; FIG. 6 is a right side view thereof; FIG. 7 is a top view thereof; and, FIG. 8 is a bottom view thereof.

The broken line depiction of a firearm in FIG. 1 shows environmental structure associated with the design in a condition of use. In all the figure views, the broken lines depicted on the surface of the firearm suppressor cover depict unclaimed stitching. The broken lines and structures they depict do not form a part of the claimed design.

**1 Claim, 4 Drawing Sheets**



(56)

References Cited

U.S. PATENT DOCUMENTS

D632,751	S *	2/2011	Bowers	.....	D22/108
D651,680	S *	1/2012	DeGroat	.....	D22/108
D658,013	S *	4/2012	Beisel	.....	D7/625
D669,970	S *	10/2012	Motegi	.....	D23/266
8,397,615	B2 *	3/2013	Poling	.....	F41A 13/12 442/136
D713,214	S *	9/2014	Lai	.....	D7/625
8,967,325	B1	3/2015	Cronhelm		
D741,443	S *	10/2015	Cheney	.....	D22/108
9,175,920	B2 *	11/2015	Moore	.....	F41A 21/44
D764,621	S *	8/2016	Dueck	.....	D22/108
D767,072	S *	9/2016	Dulisse	.....	D22/108
D767,706	S *	9/2016	Shults	.....	D22/108
D778,386	S *	2/2017	Farthing	.....	D22/108
2011/0197487	A1 *	8/2011	Humston	.....	F41A 21/34 42/1.06
2012/0167435	A1 *	7/2012	Poling	.....	F41A 13/12 42/90
2013/0340313	A1 *	12/2013	Myers	.....	F41A 21/30 42/90
2014/0059913	A1 *	3/2014	Diamond	.....	F41C 27/00 42/90
2014/0231168	A1 *	8/2014	Dueck	.....	F41A 21/325 181/223
2015/0136519	A1 *	5/2015	Moore	.....	F41A 21/30 181/223
2015/0323276	A1 *	11/2015	Myers	.....	F41A 21/30 89/14.3

OTHER PUBLICATIONS

Suppressor Cover—Medium, BurnProofGear.com, [online], [site visited Oct. 12, 2017]. <URL: <https://www.burnproofgear.com/product/su> (Year: 2017).\*

Burn Proof Gear Suppressor Cover Moderate Full Auto Testing, YouTube.com, Burn Proof Gear LLC, Published on Nov 8, 2016, [online], [site visited Oct. 12, 2017]. <URL: <https://www.youtube.com/watch?v=1fKk4pYFQ6M&feature=youtu.be>> (Year: 2016).\*

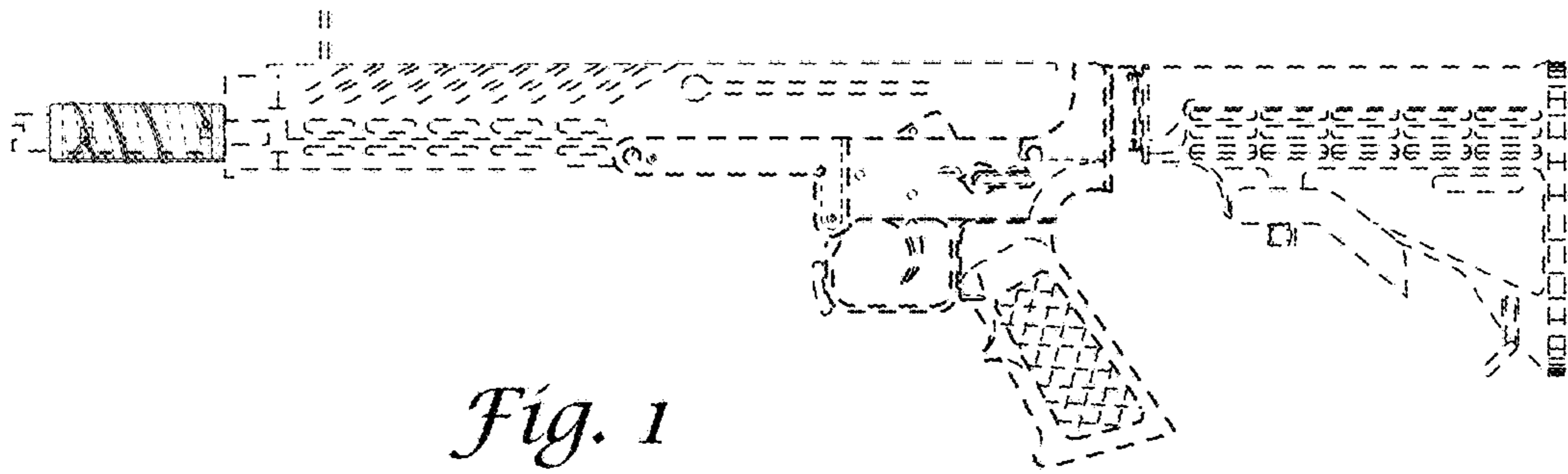
Burn Proof Gear LLC, Facebook.com, Custom Multicam—Moderate 10", Jan. 9 (2017), [online], [site visited Oct. 12, 2017]. <URL: <https://www.facebook.com/burnproofgear/>> (Year: 2017).\*

Rifles Only Suppressor Covers, TriadTactical.com, [online], [site visited Oct. 12, 2017]. <URL: <https://www.triadtactical.com/Rifles-Only-Suppressor-Covers.html>> (Year: 2017).\*

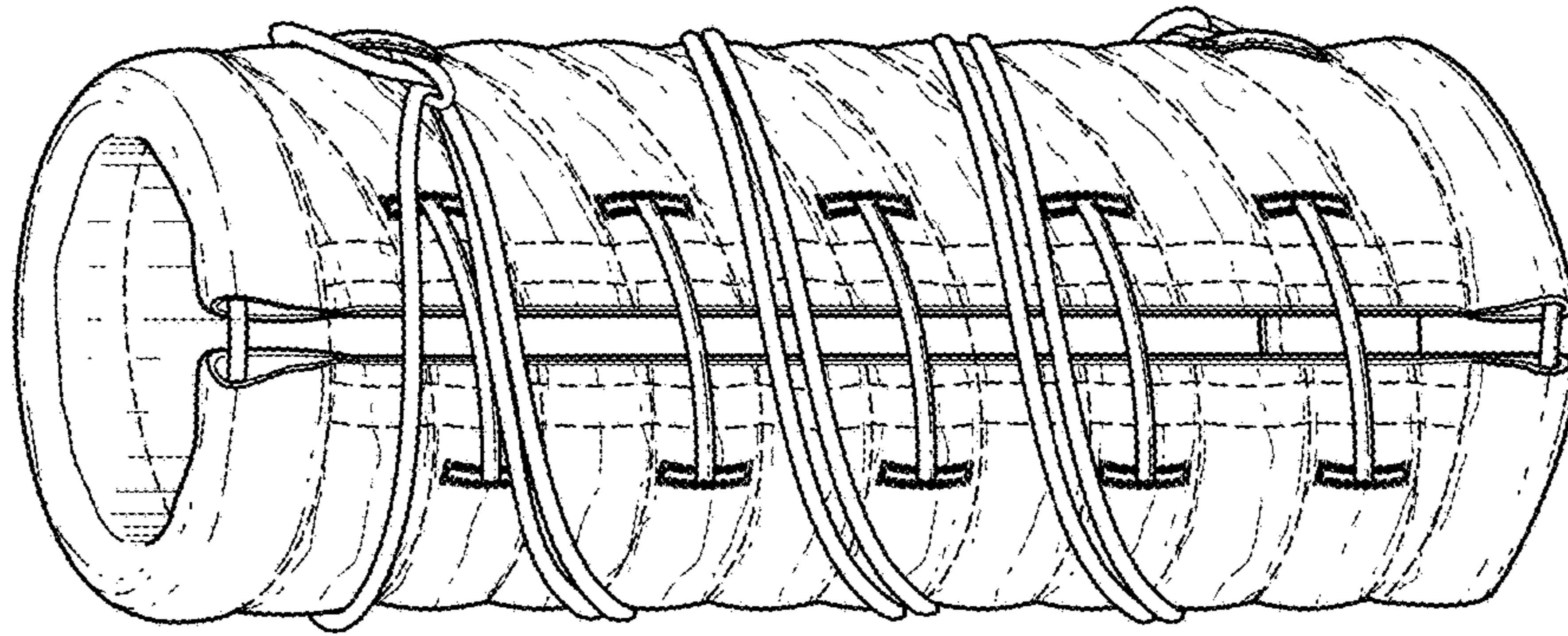
Griffin Industries HMMS, SKDtact.com, [online], [site visited Oct. 12, 2017]. <URL: <https://www.skdtac.com/Griffon-Industries-Heat-Mirage-Mitigation-System-p/gfn.101.htm>> (Year: 2017).\*

Elite Iron Second Generation Sound Suppressor Wraps, Tactical-Life.com, May 5, 2011 by Tactical-Life.com, [online], [site visited Oct. 12, 2017]. <URL: <http://www.tactical-life.com/gear/elite-iron-second-generation-sound-suppressor-wraps/>> (Year: 2011).\*

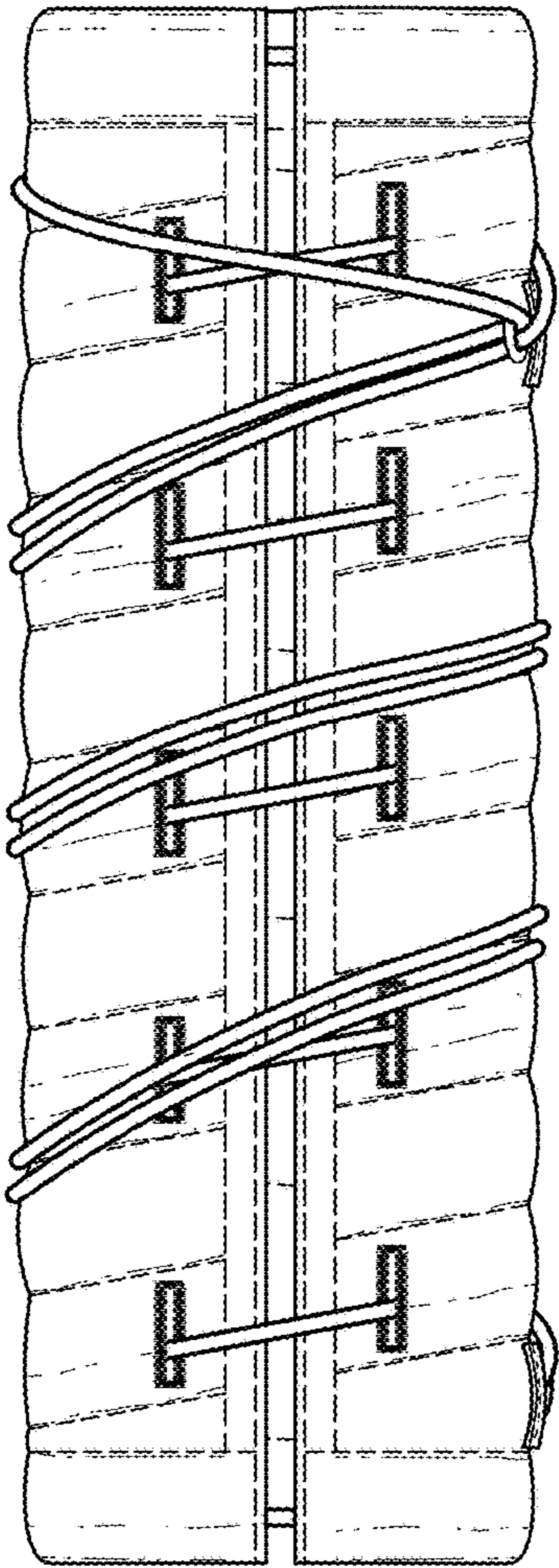
\* cited by examiner



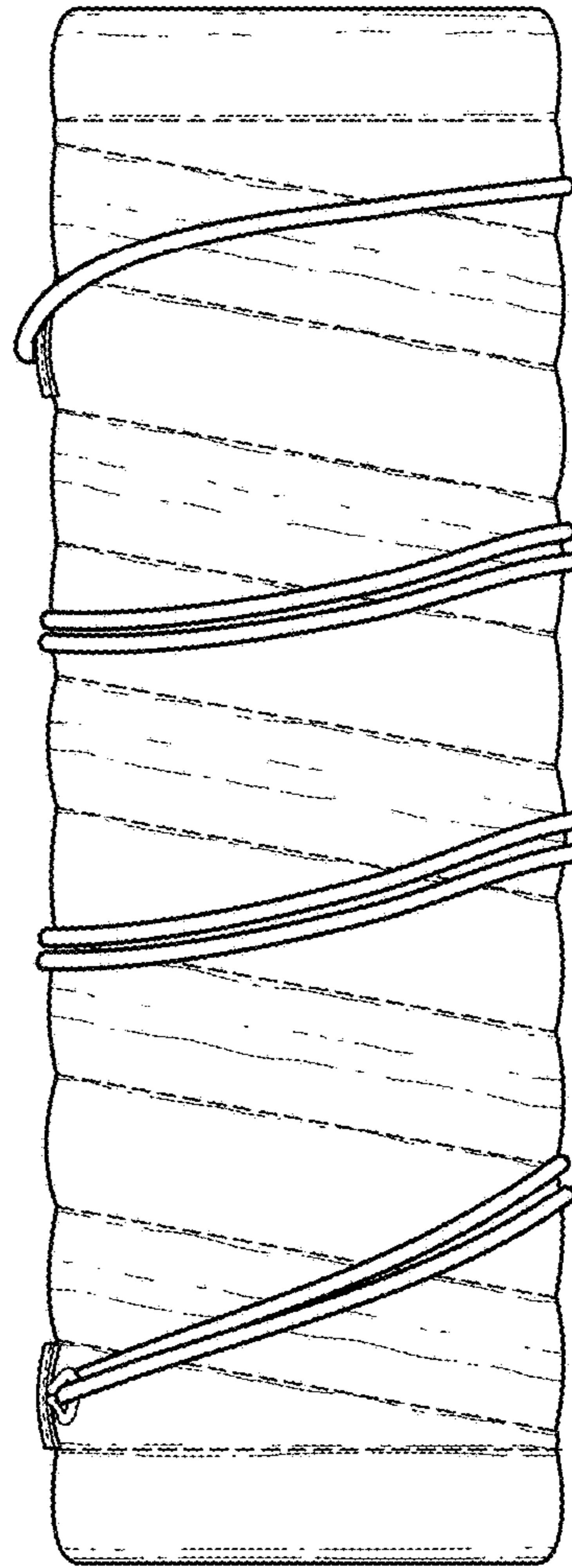
*Fig. 1*



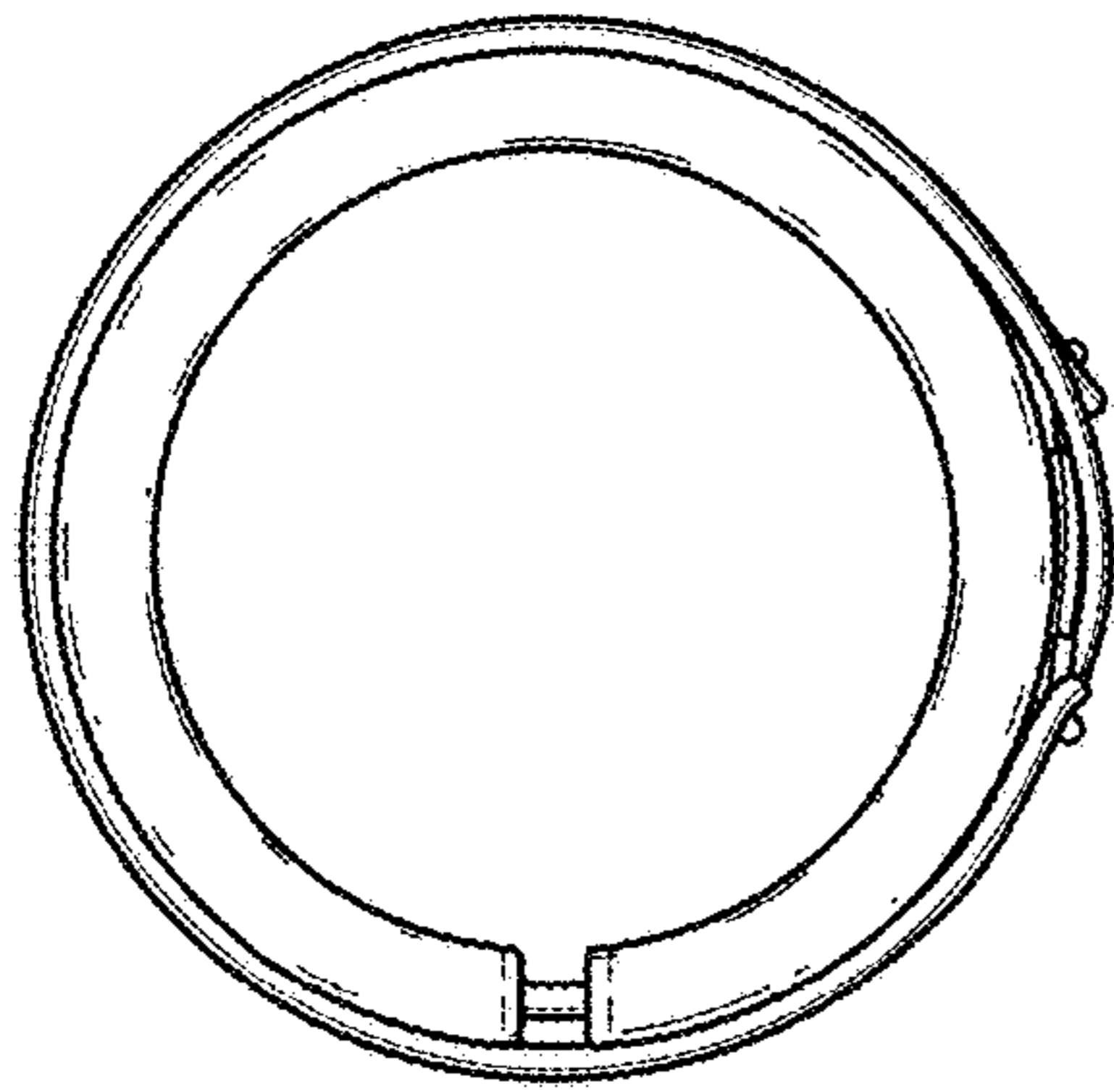
*Fig. 2*



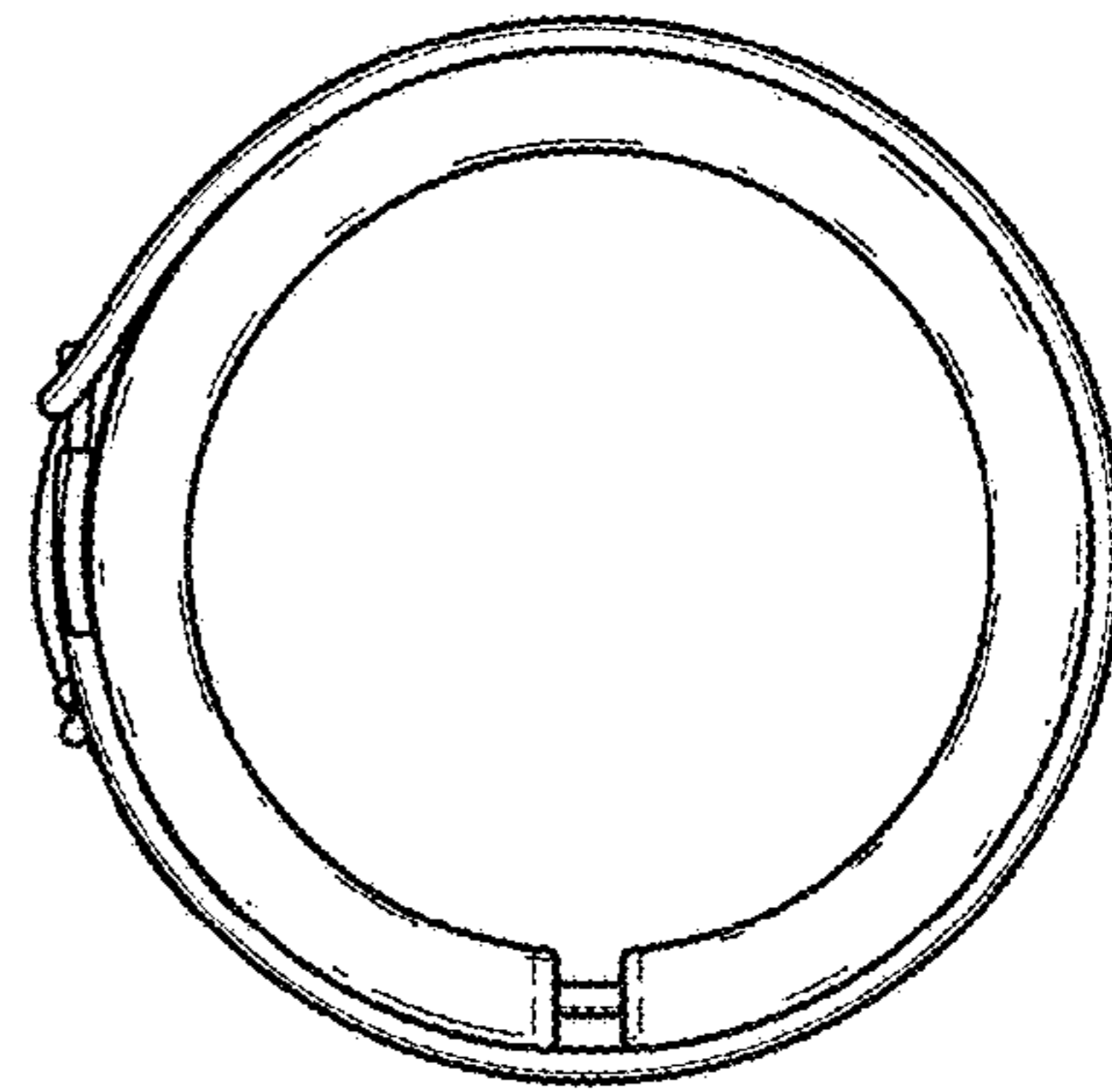
*Fig. 3*



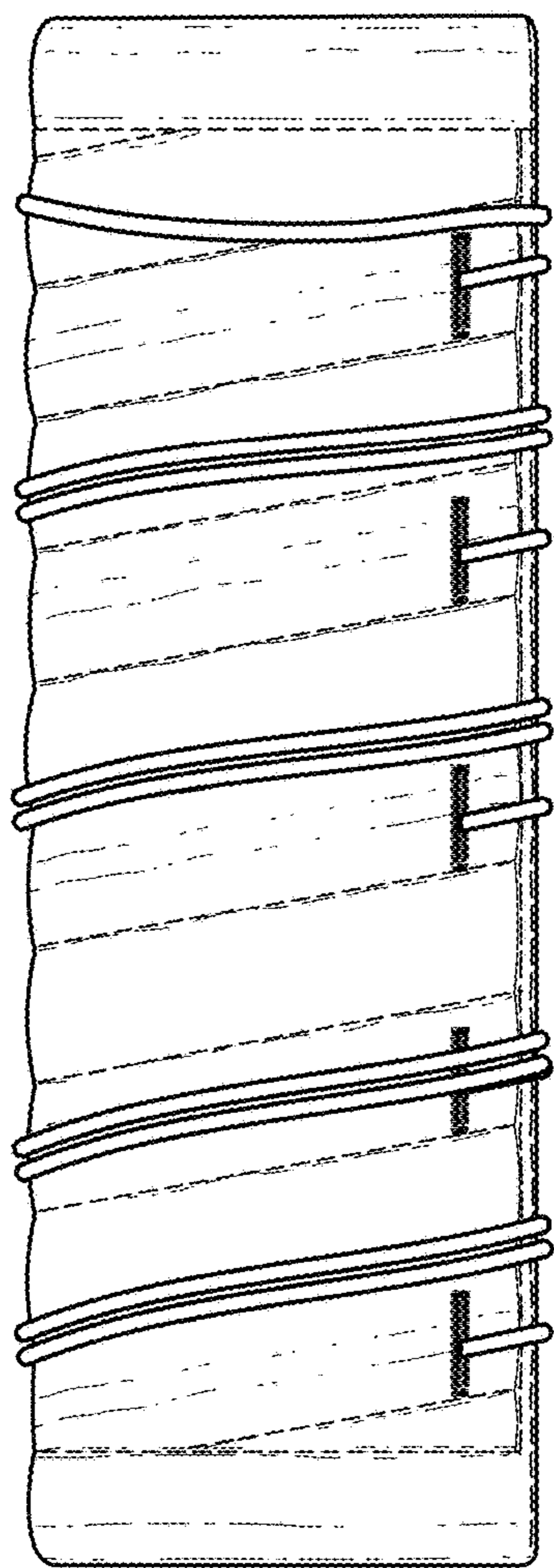
*Fig. 4*



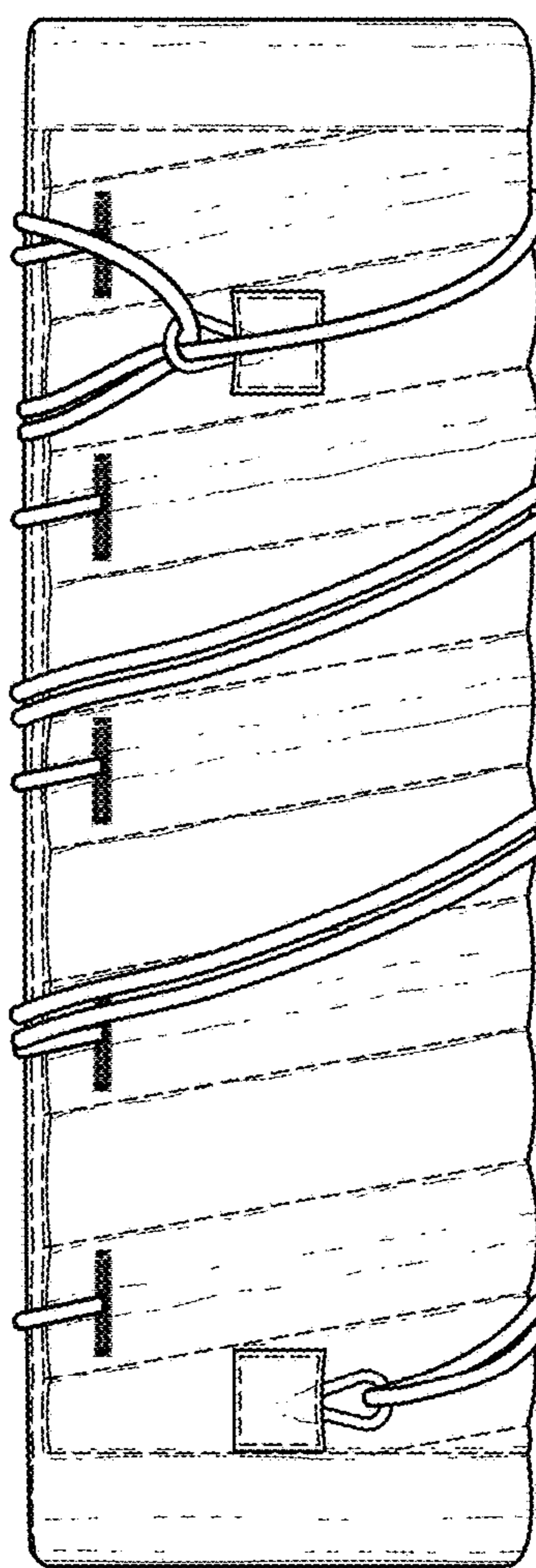
*Fig. 5*



*Fig. 6*



*Fig. 7*



*Fig. 8*