



US00D813970S

(12) **United States Design Patent**
Kitts

(10) **Patent No.:** **US D813,970 S**
(45) **Date of Patent:** **** Mar. 27, 2018**

- (54) **CAPTURE NOCK**
- (71) Applicant: **Randy Kitts**, Ball Ground, GA (US)
- (72) Inventor: **Randy Kitts**, Ball Ground, GA (US)
- (**) Term: **15 Years**
- (21) Appl. No.: **29/573,964**
- (22) Filed: **Aug. 11, 2016**
- (51) **LOC (11) Cl.** **22-01**
- (52) **U.S. Cl.**
USPC **D22/107**
- (58) **Field of Classification Search**
USPC D22/107
CPC .. F42B 6/04; F42B 6/06; F42B 12/362; F42B
6/02; F41B 5/1446
See application file for complete search history.

6,736,742	B2 *	5/2004	Price	F42B 6/06 473/570
7,189,170	B1 *	3/2007	Korsa	F42B 6/06 473/578
7,374,504	B2 *	5/2008	Palomaki	F42B 6/04 473/578
D595,803	S	7/2009	Giles		
7,837,580	B2 *	11/2010	Huang	F42B 6/06 473/570
D664,625	S *	7/2012	Minica	D22/107
D669,955	S *	10/2012	Minica	D22/107
D669,956	S *	10/2012	Minica	D22/107
D717,389	S	11/2014	Huang		
D796,616	S *	9/2017	Errett	D22/107
2002/0039939	A1 *	4/2002	Hartman	F42B 6/04 473/578
2003/0166425	A1 *	9/2003	Sutherland	F42B 6/04 473/581

* cited by examiner

Primary Examiner — Michael A. Pratt
(74) *Attorney, Agent, or Firm* — Donald J. Ersler

(56) **References Cited**
U.S. PATENT DOCUMENTS

2,484,589	A *	10/1949	Richards	F42B 6/06 473/578
2,887,319	A *	5/1959	Lay	F42B 6/06 473/586
4,003,576	A *	1/1977	Carella	F42B 6/06 244/3.23
4,305,588	A *	12/1981	Dodge	F42B 6/06 403/268
D301,272	S *	5/1989	Barrow	D22/115
5,154,432	A *	10/1992	Saunders	F42B 6/06 473/578
5,306,020	A *	4/1994	Bolf	F42B 6/06 473/578
6,695,727	B1 *	2/2004	Kuhn	F42B 6/06 473/586

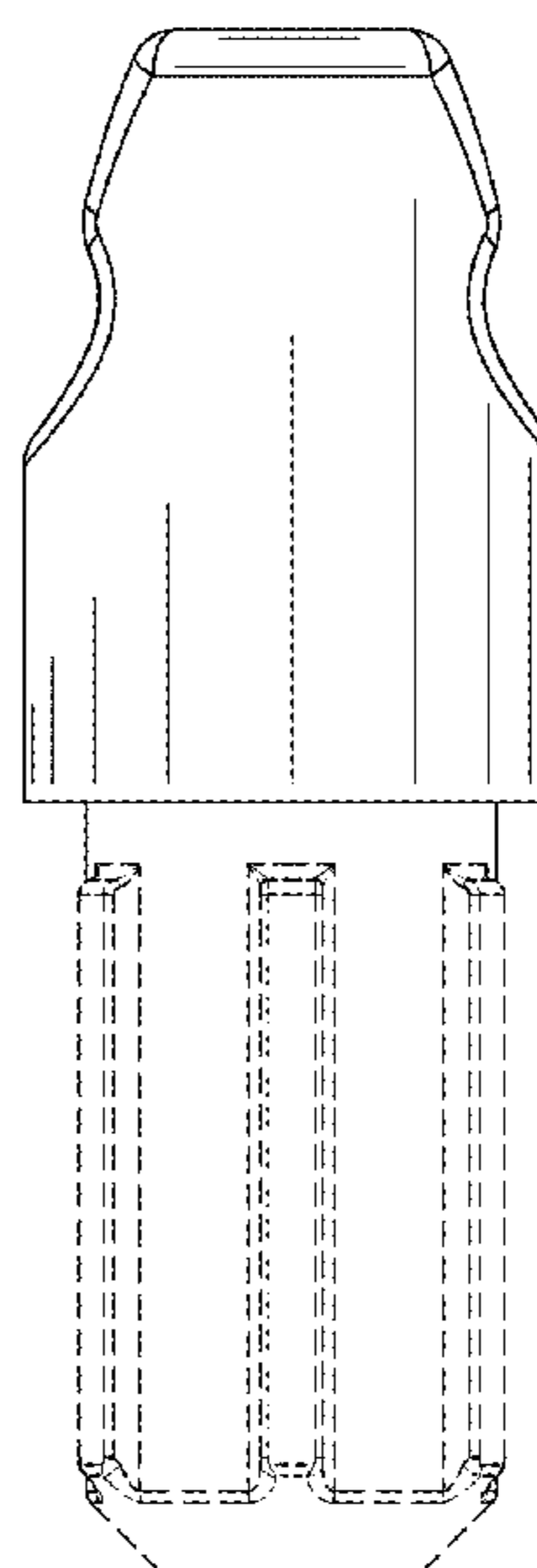
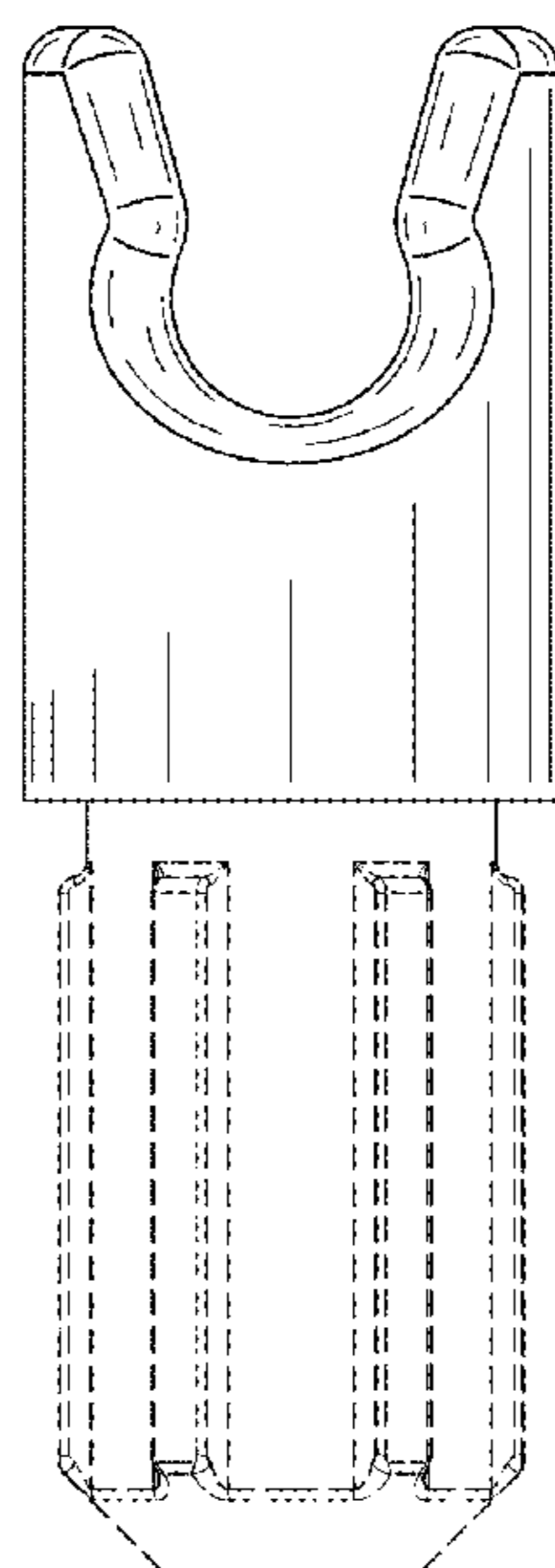
(57) **CLAIM**

The ornamental design for a capture nock, as shown and described.

DESCRIPTION

FIG. 1 is a rear perspective view of a capture nock incorporating my new design;
FIG. 2 is a front perspective view thereof;
FIG. 3 is a left or right side view thereof;
FIG. 4 is a top or bottom plan view thereof;
FIG. 5 is a rear end view thereof; and,
FIG. 6 is a front end view.
The broken lines shown in the drawings illustrate portions of the capture nock that form no part of the claimed invention.

1 Claim, 2 Drawing Sheets



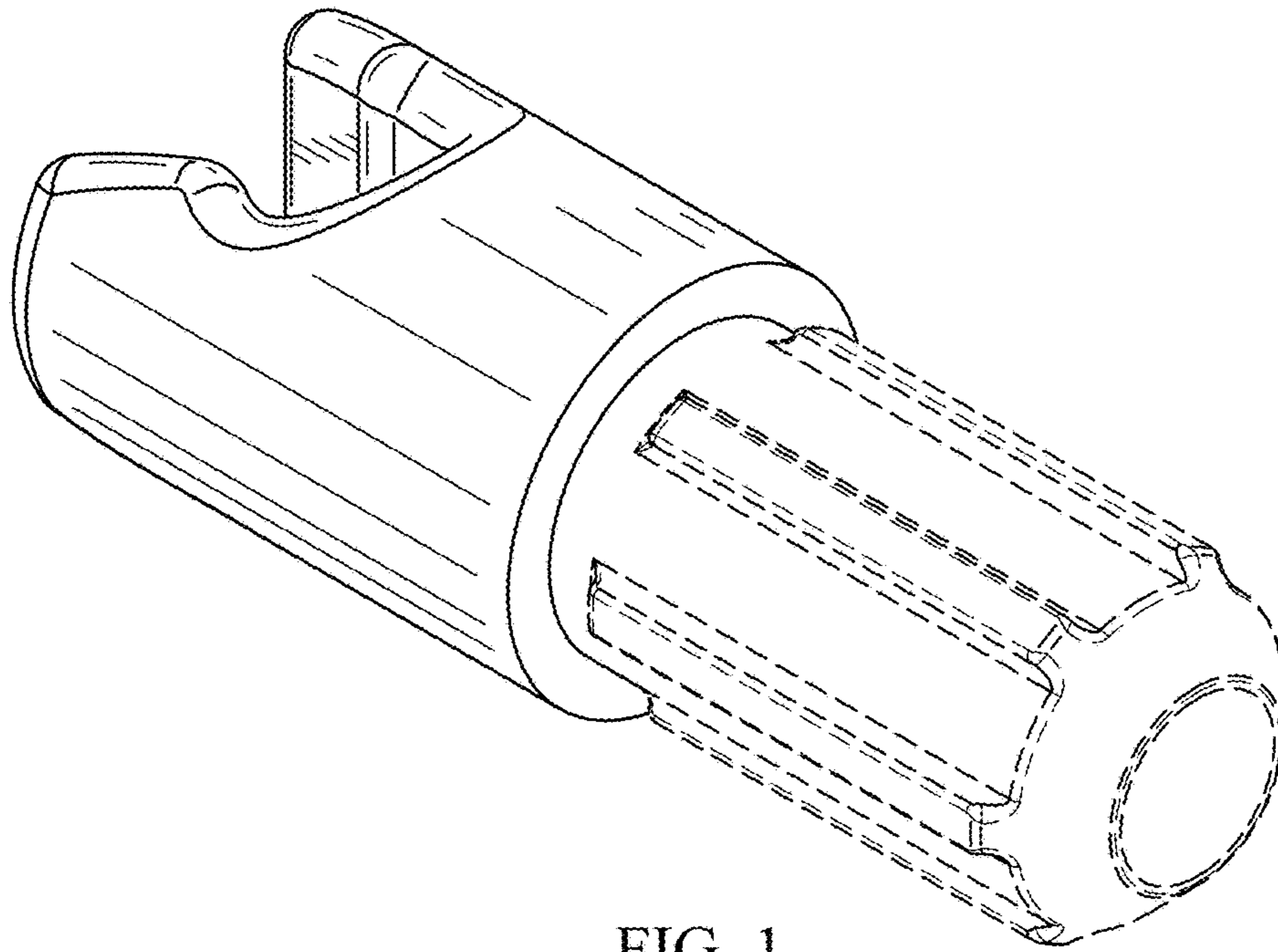


FIG. 1

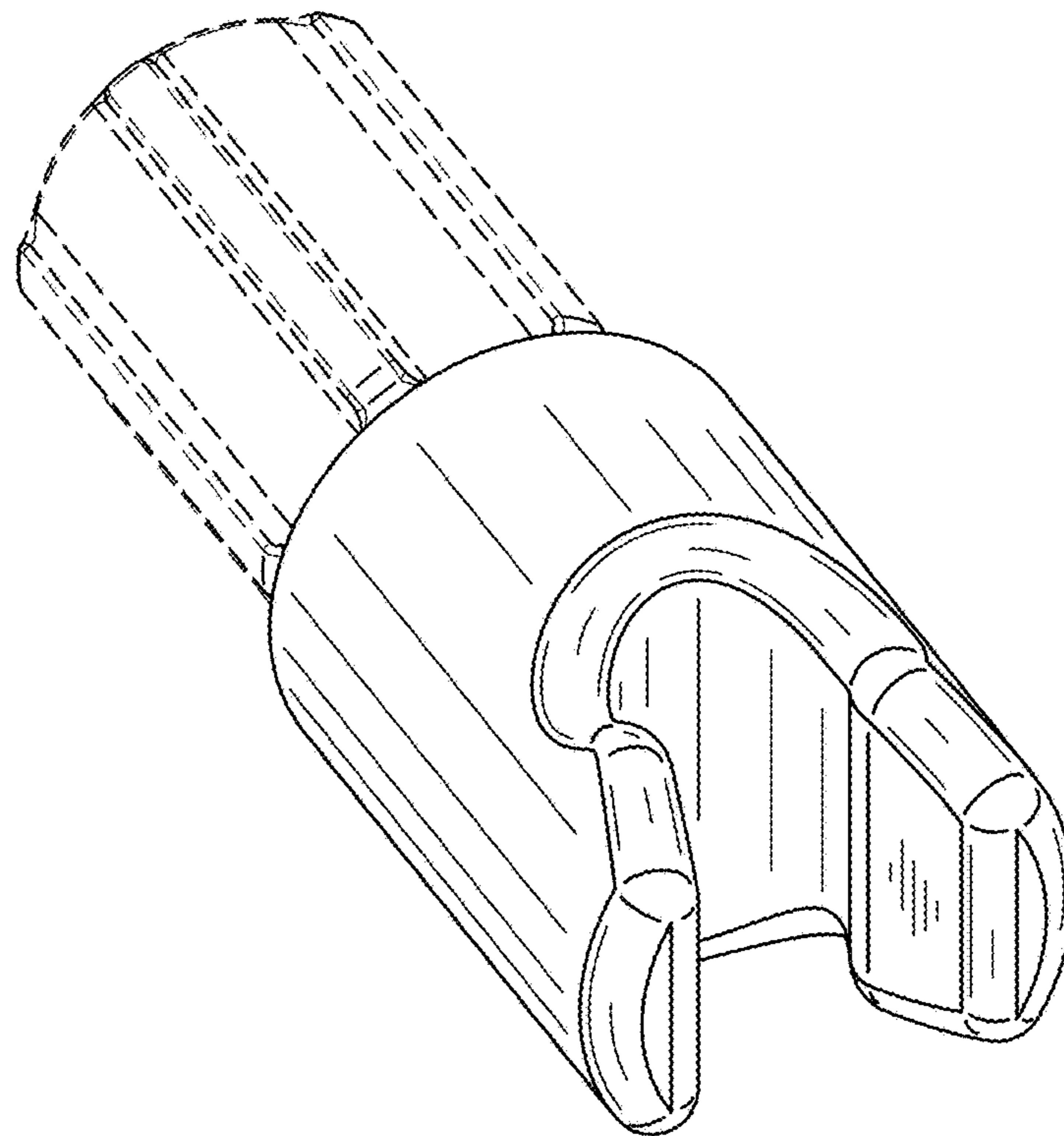


FIG. 2

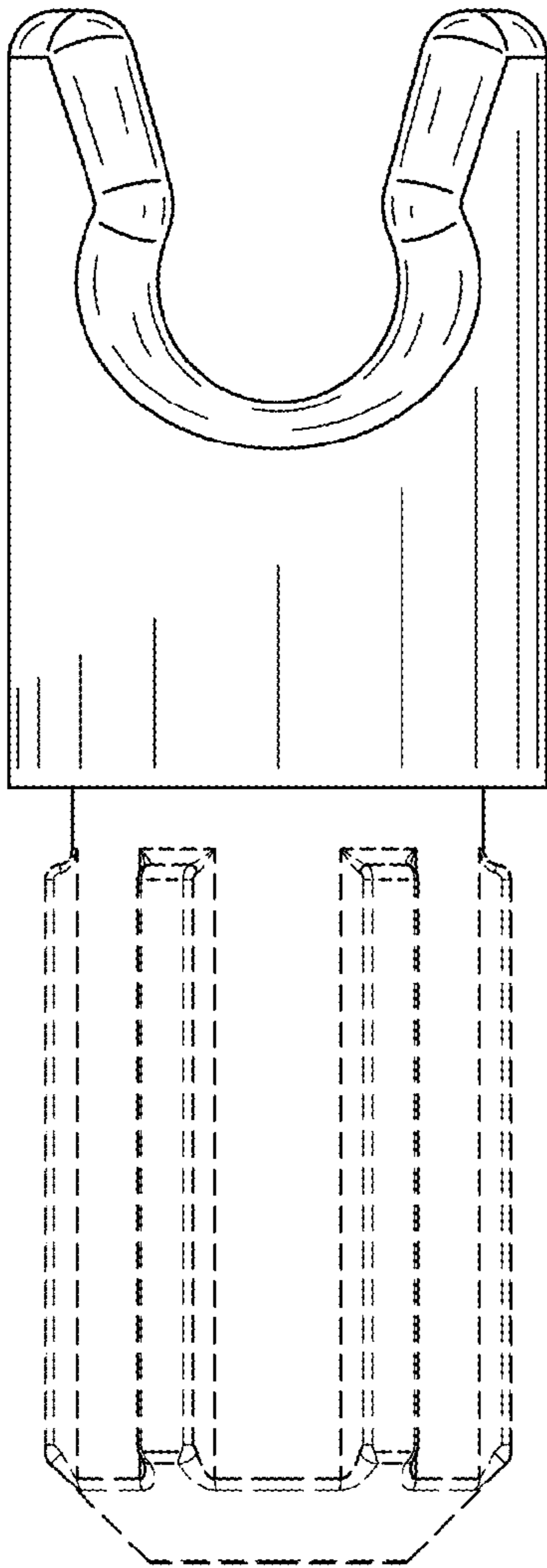


FIG. 3

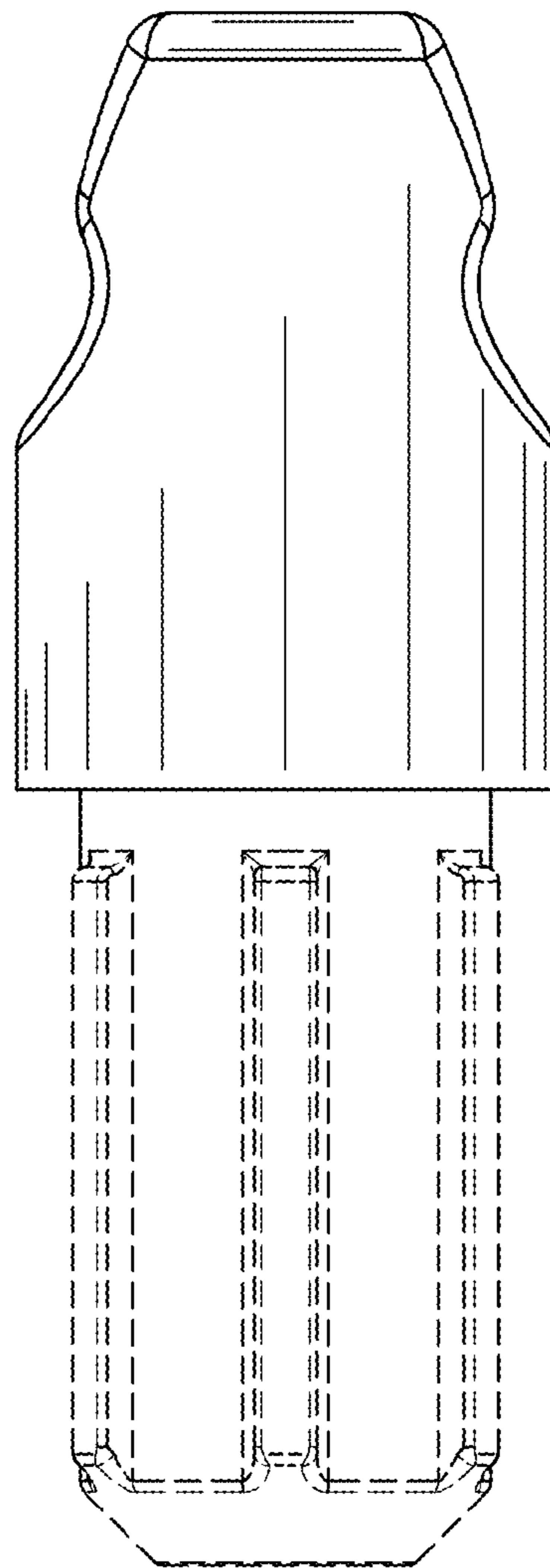


FIG. 4

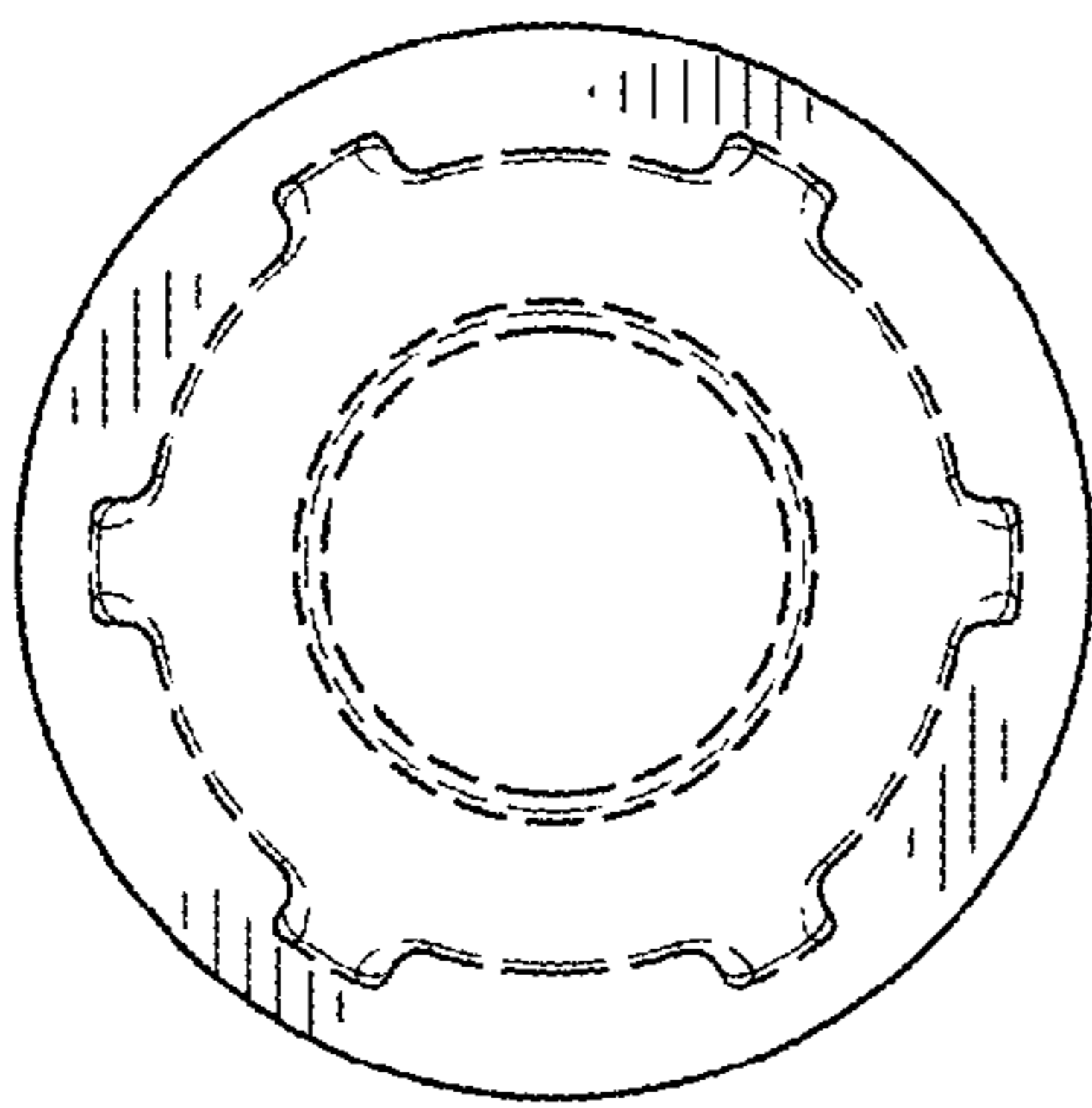


FIG. 5

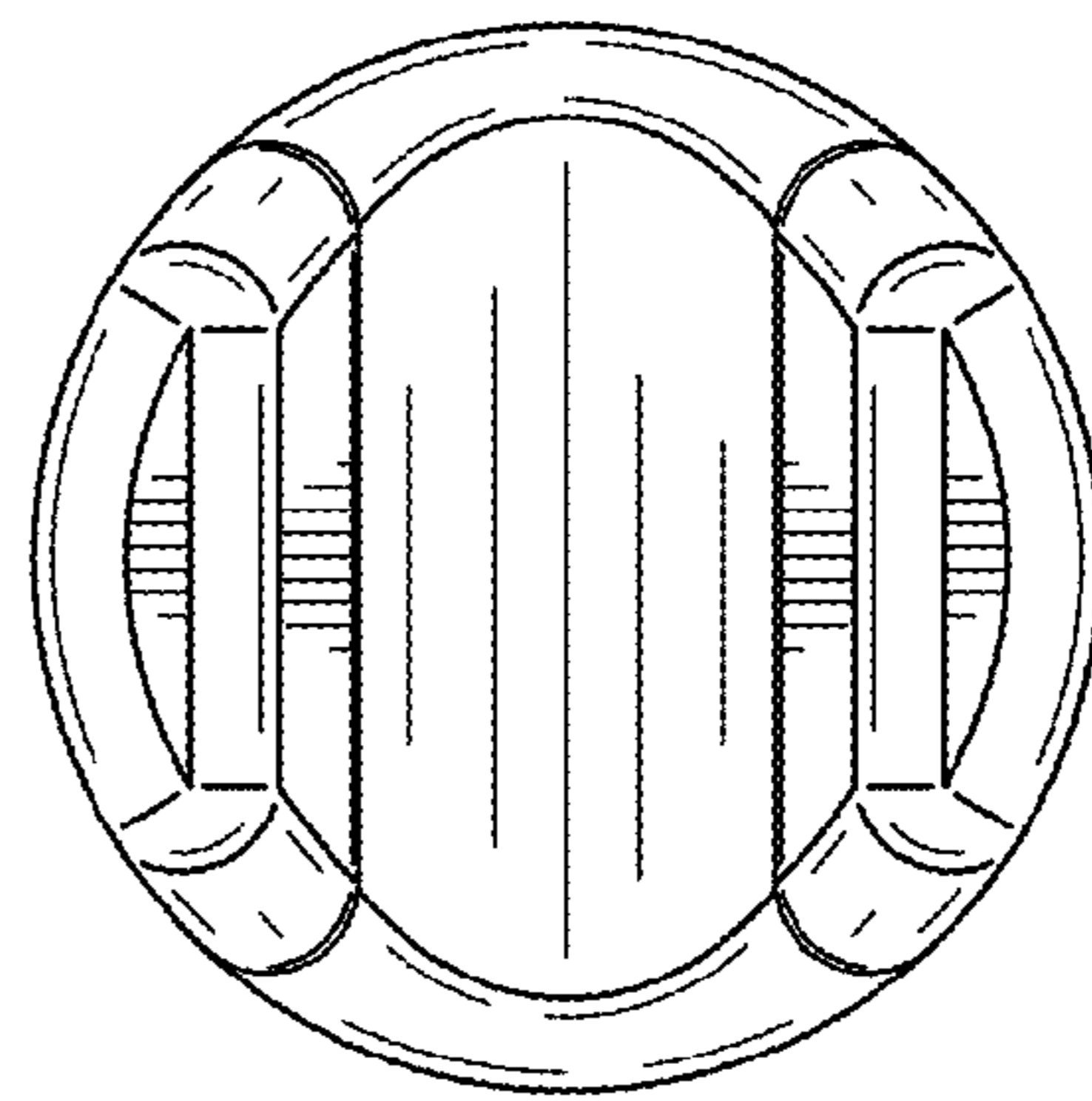


FIG. 6