



US00D813968S

(12) **United States Design Patent**
Chen

(10) **Patent No.:** **US D813,968 S**
(45) **Date of Patent:** **** Mar. 27, 2018**

(54) **BOWL SHAPED TRAMPOLINE**

(71) Applicant: **Samuel Chen**, Hung Hom (CN)

(72) Inventor: **Samuel Chen**, Hung Hom (CN)

(**) Term: **15 Years**

(21) Appl. No.: **29/605,484**

(22) Filed: **May 26, 2017**

(51) **LOC (11) Cl.** **21-02**

(52) **U.S. Cl.**
USPC **D21/797**

(58) **Field of Classification Search**
USPC D21/797, 668, 669, 834, 826, 688;
D6/582-594, 716; 483/27, 35, 29, 112,
483/33, 110, 148, 28, 77, 147, 51;
297/23, 26, 452.18; 135/96, 117;
D30/112; D25/1, 16, 22, 56; 446/220;
473/469; 182/139, 224; 273/395, 402;
D8/21, 29, 14, 382; 81/124.6, 63.1,
81/177.85, 125.1, 177.2; D12/118, 178;
285/133.21, 197, 319, 921; 403/170, 217,
403/326, 28, 188, 230
CPC A63B 5/11; A63B 21/023; A63B 71/022;
A63B 2208/12; A63B 2210/50; A63B
21/0552; A63B 21/026; B25B 13/04
See application file for complete search history.

9,084,908 B1 * 7/2015 Chen A63B 5/11
9,089,732 B2 * 7/2015 Andon A63B 5/11
D755,914 S * 5/2016 Andon D21/797
9,687,719 B1 * 6/2017 Chen A63B 5/11
D794,150 S * 8/2017 Ji D21/797
D794,151 S * 8/2017 Ji D21/797
D799,626 S * 10/2017 Chen D21/797
D803,338 S * 11/2017 Hsiang D21/797
2008/0269020 A1 * 10/2008 Alexander A63B 5/11
482/29
2009/0062078 A1 * 3/2009 VanElverdinghe A63B 5/11
482/29
2013/0045837 A1 * 2/2013 Hsiang A63B 5/11
482/27
2013/0072269 A1 * 3/2013 Chen A63B 5/11
463/7
2014/0228176 A1 * 8/2014 Miller A63B 5/11
482/27
2014/0336005 A1 * 11/2014 Miller A63B 5/11
482/27
2015/0051049 A1 * 2/2015 Andon A63B 5/11
482/29
2015/0157889 A1 * 6/2015 Miller A63B 5/11
482/27

(Continued)

Primary Examiner — Robert M. Spear
Assistant Examiner — Ryan Harvey
(74) *Attorney, Agent, or Firm* — Clement Cheng

(57) **CLAIM**

The ornamental design for a bowl shaped trampoline, as shown and described.

(56) **References Cited**

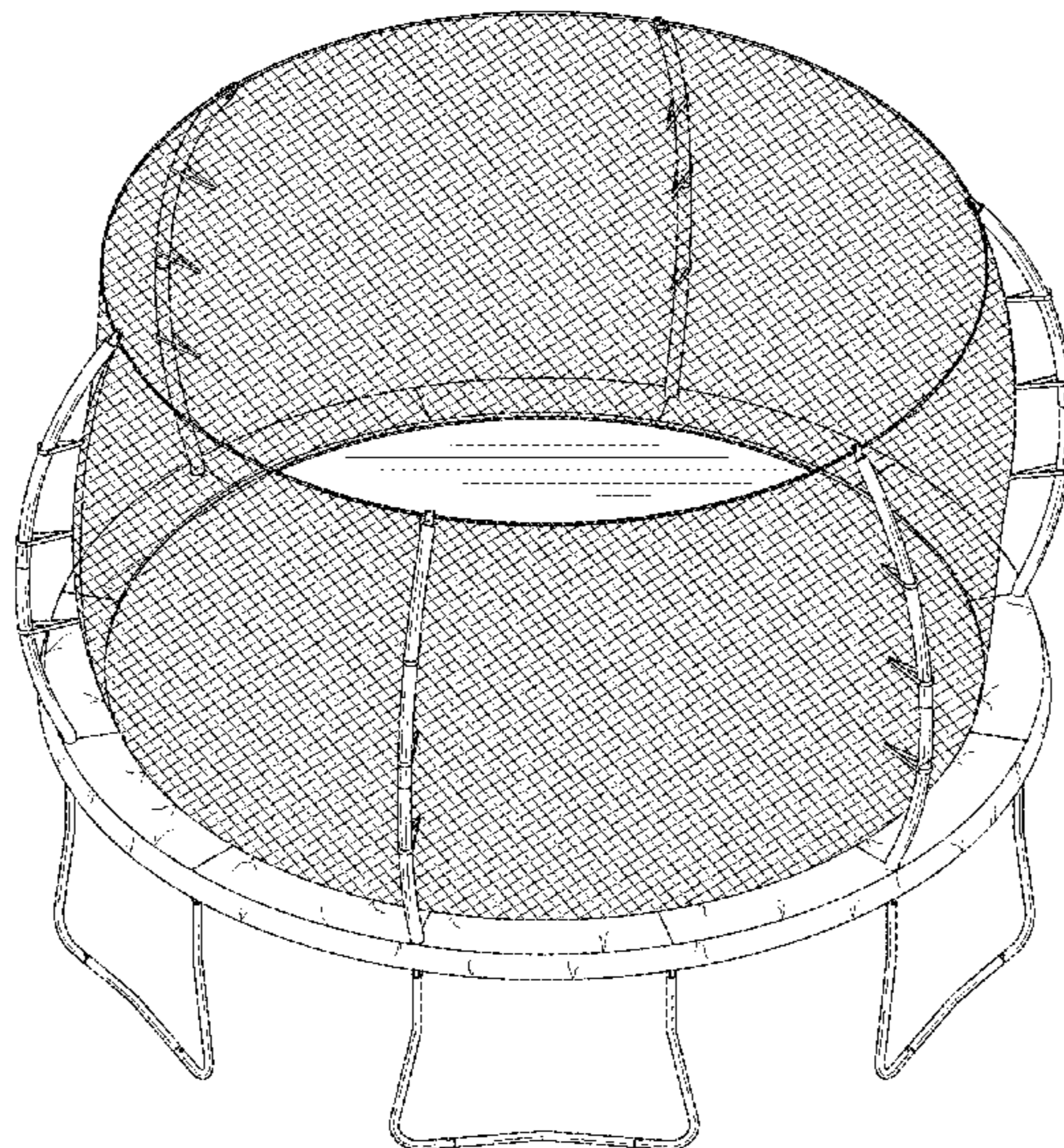
U.S. PATENT DOCUMENTS

D570,930 S * 6/2008 VanElverdinghe D21/671
D572,777 S * 7/2008 VanElverdinghe D21/671
D576,229 S * 9/2008 VanElverdinghe D21/672
D614,715 S * 4/2010 Mann D21/797
D664,228 S * 7/2012 Hsiang D21/797
D684,233 S * 6/2013 Yang D21/797
D712,497 S * 9/2014 Yang D21/797
D717,899 S * 11/2014 Chen D21/797

DESCRIPTION

FIG. 1 is a front view.
FIG. 2 is a right view.
FIG. 3 is a left view.
FIG. 4 is a bottom view.
FIG. 5 is a top view; and,
FIG. 6 is a perspective view.

1 Claim, 6 Drawing Sheets



(56)

References Cited

U.S. PATENT DOCUMENTS

2015/0190666 A1* 7/2015 Chen A63B 5/11
482/29
2016/0030794 A1* 2/2016 Yang A63B 5/11
482/27
2016/0296781 A1* 10/2016 Andon A63B 5/11
2017/0173376 A1* 6/2017 Miller A63B 5/11
2017/0173437 A1* 6/2017 Chen A63B 5/11
2017/0340939 A1* 11/2017 Chen A63B 67/10

* cited by examiner

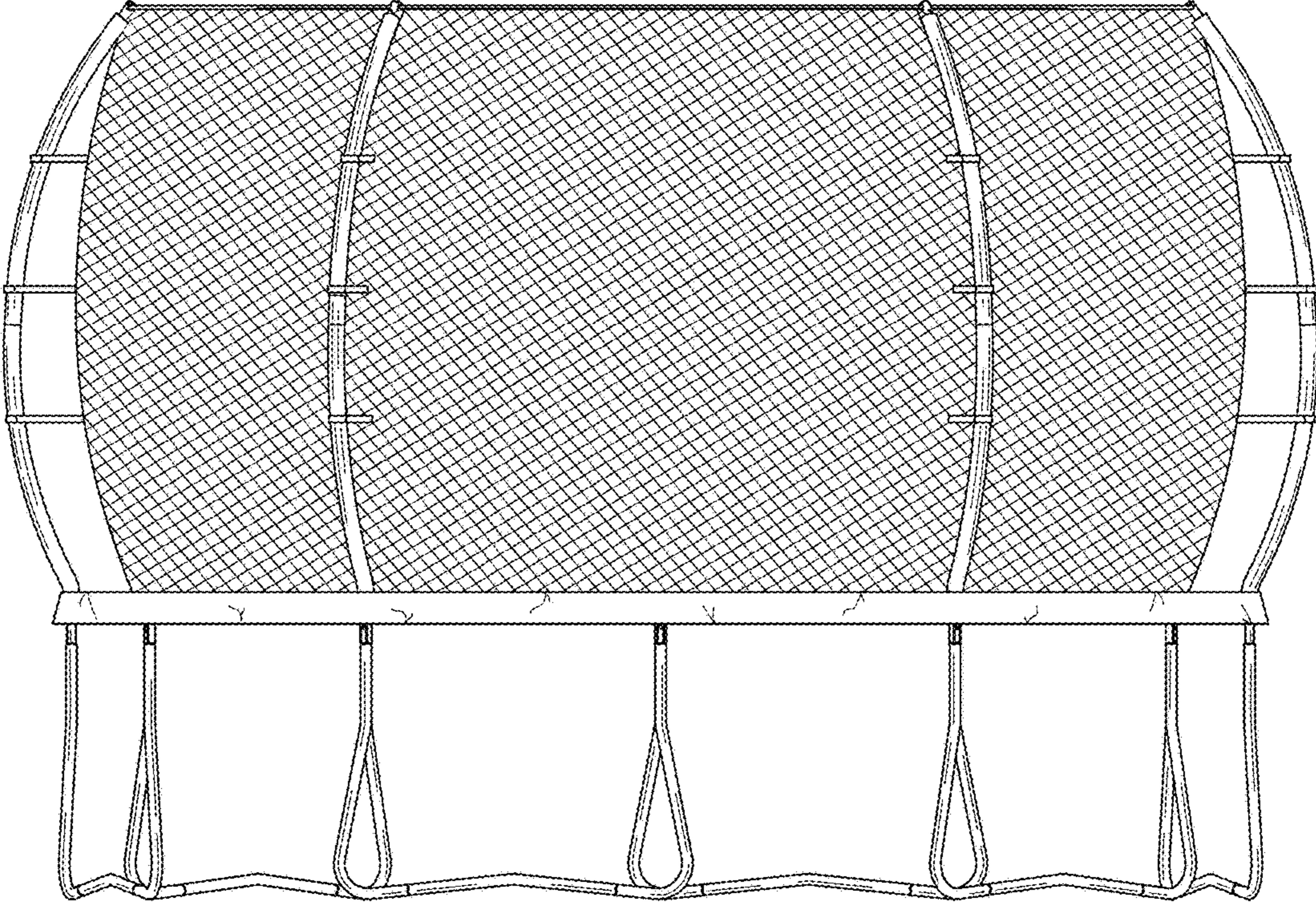


FIG. 1

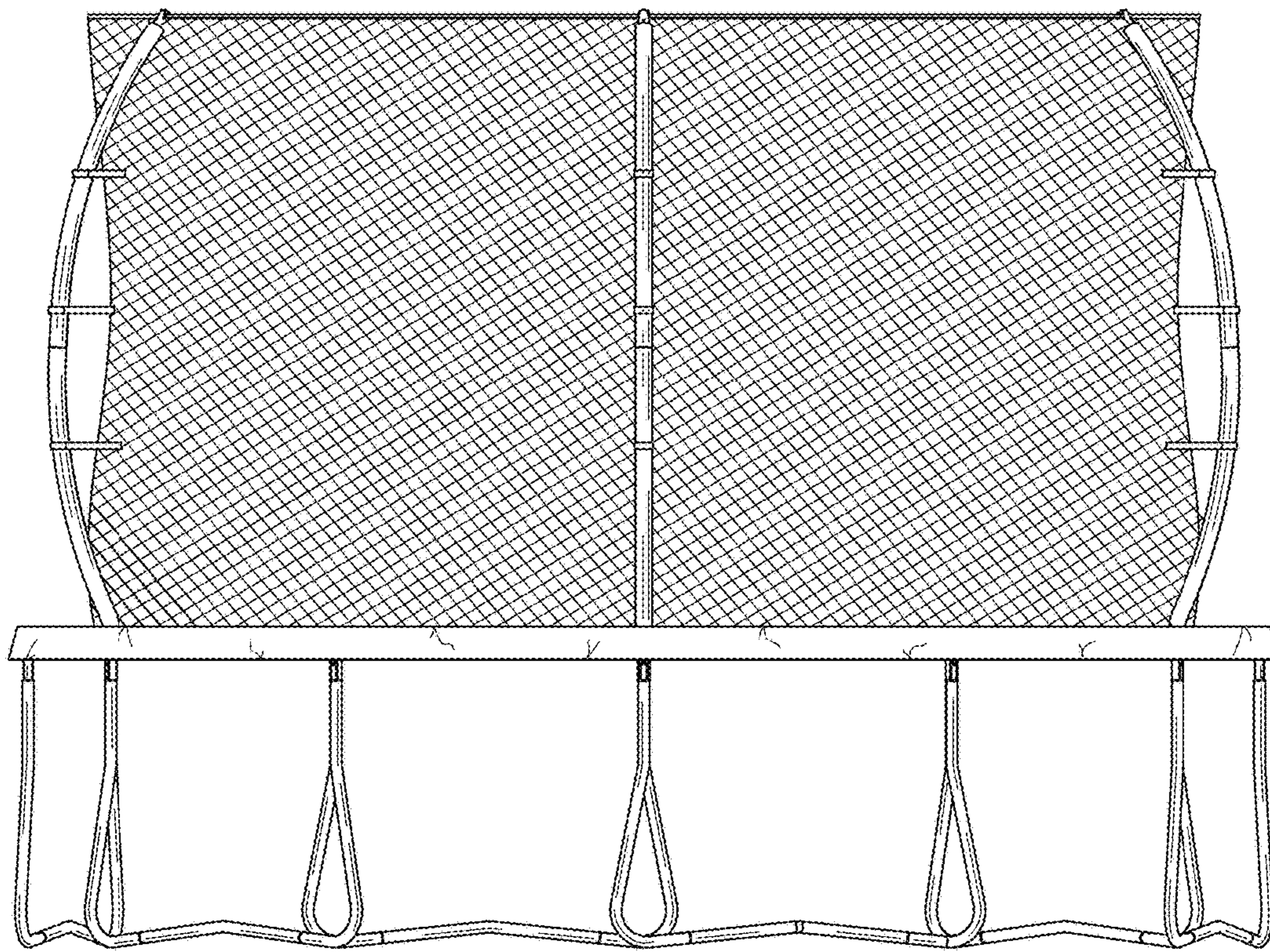


FIG. 2

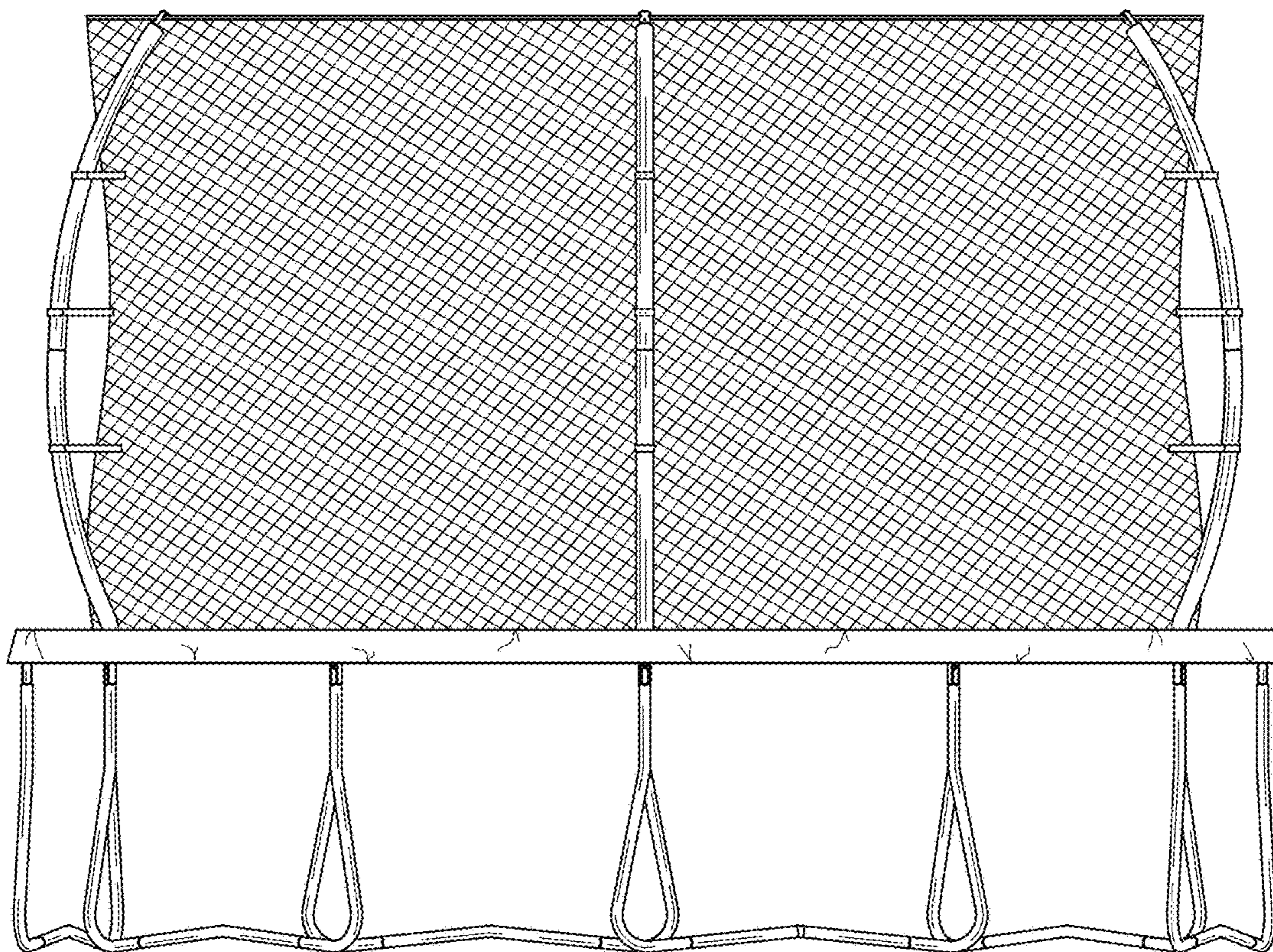


FIG. 3

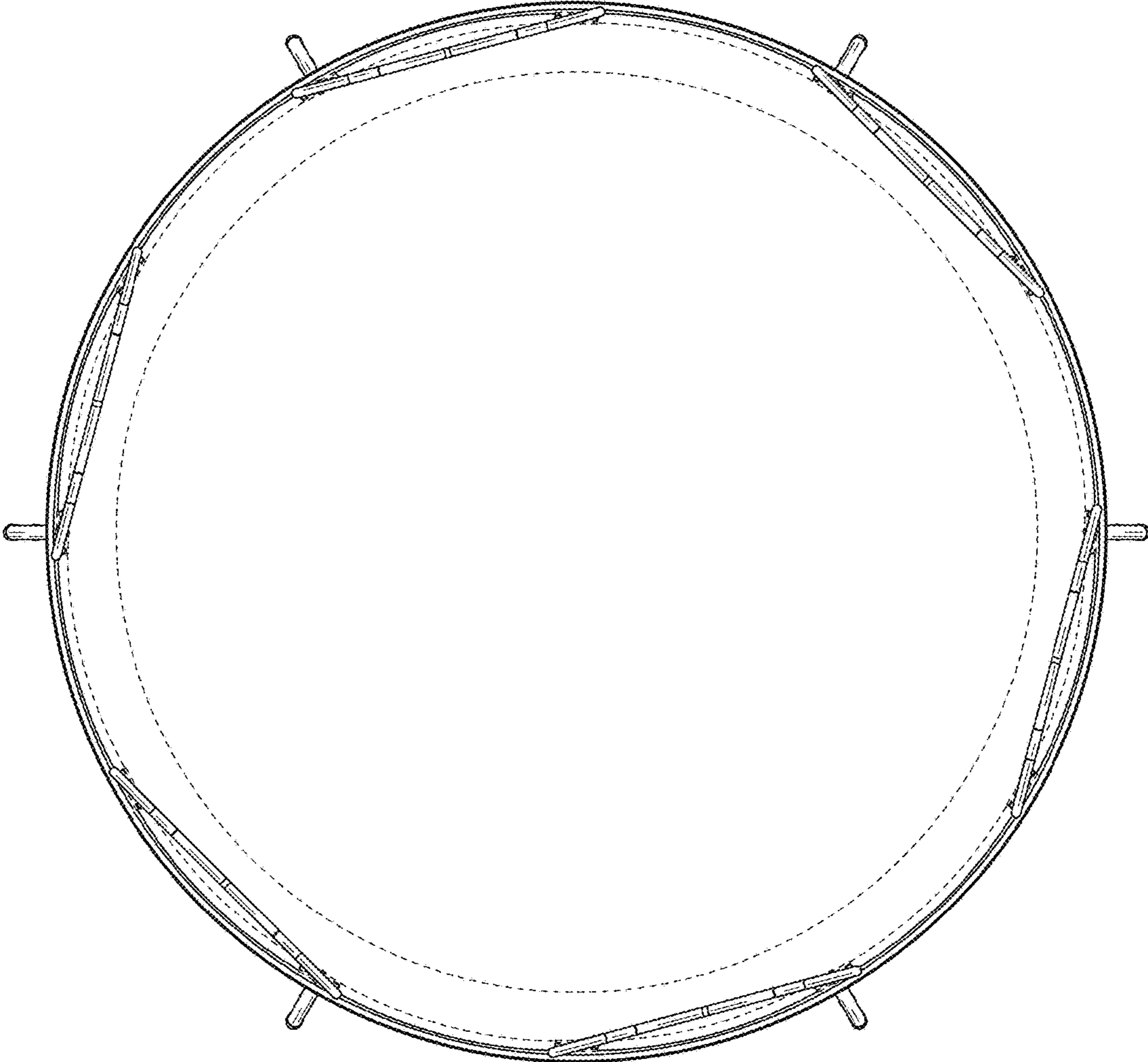


FIG. 4

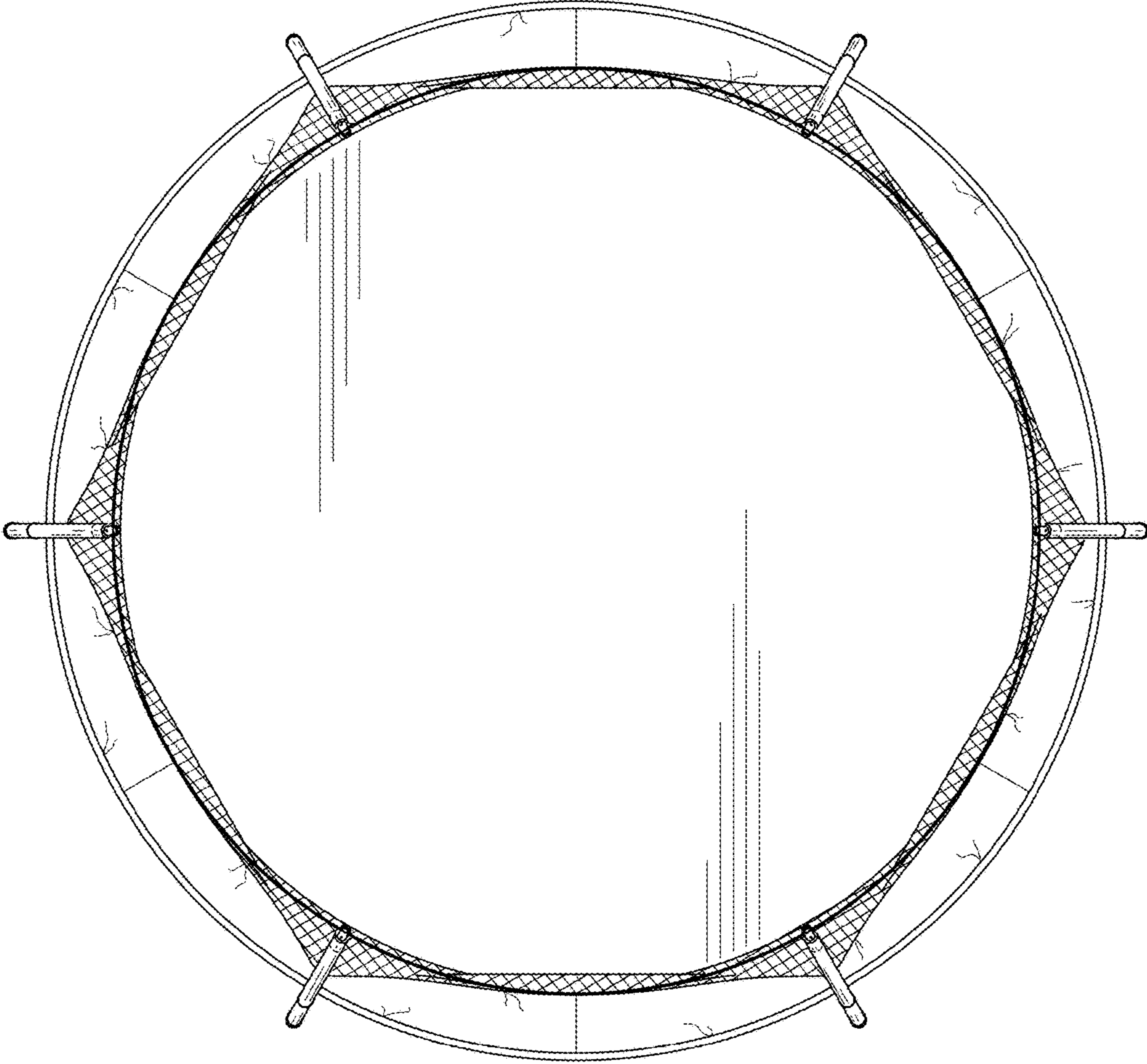


FIG. 5

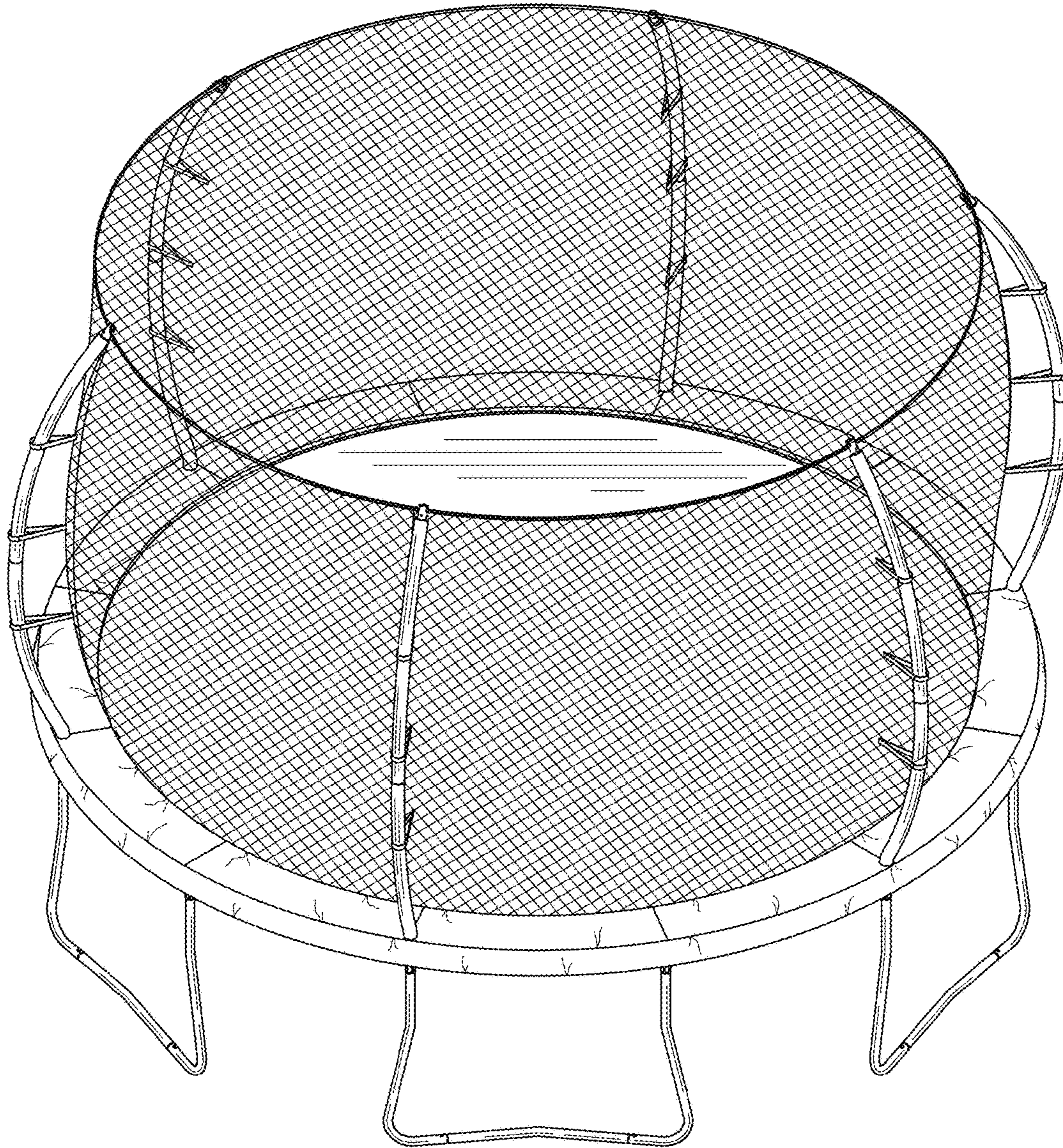


FIG. 6