



US00D813965S

(12) **United States Design Patent**  
**Sargent et al.**

(10) **Patent No.:** **US D813,965 S**  
(45) **Date of Patent:** **\*\* Mar. 27, 2018**

- (54) **GOLF CLUB HEAD**
- (71) Applicant: **Taylor Made Golf Company, Inc.**,  
Carlsbad, CA (US)
- (72) Inventors: **Nathan T. Sargent**, Oceanside, CA  
(US); **Joseph Reeve Nielson**, Vista, CA  
(US); **Christopher John Harbert**,  
Carlsbad, CA (US); **Todd P. Beach**,  
Encinitas, CA (US); **Brian Bazzel**,  
Carlsbad, CA (US); **Mark Vincent**  
**Greaney**, Vista, CA (US); **Christian**  
**Reber Wester**, San Diego, CA (US);  
**Craig Richard Slyfield**, San Diego, CA  
(US)
- (73) Assignee: **Taylor Made Gold Company, Inc.**,  
Carlsbad, CA (US)
- (\*\*) Term: **15 Years**
- (21) Appl. No.: **29/577,042**
- (22) Filed: **Sep. 8, 2016**
- (51) **LOC (11) Cl.** ..... **21-02**
- (52) **U.S. Cl.**  
USPC ..... **D21/759**
- (58) **Field of Classification Search**  
USPC ..... D21/733, 752, 759  
CPC ..... A63B 53/00; A63B 53/04; A63B 53/0466;  
A63B 2053/002; A63B 2053/0445; A63B  
2053/0433; A63B 2053/0491; A63B  
2053/0437  
See application file for complete search history.

- D617,403 S 6/2010 Llewellyn et al.
- D618,746 S 6/2010 Jertson et al.
- D618,747 S 6/2010 Jertson et al.
- D628,257 S 11/2010 Albertsen
- D630,278 S 1/2011 Albertsen
- D630,696 S 1/2011 Albertsen
- D631,119 S 1/2011 Albertsen
- D655,363 S 3/2012 Vrska
- 8,235,844 B2 8/2012 Albertsen et al.

(Continued)

**FOREIGN PATENT DOCUMENTS**

- JP 3109501 U 3/2005
- JP 2006-320493 A 11/2006

*Primary Examiner* — Mitchell I. Siegel

(74) *Attorney, Agent, or Firm* — Klarquist Sparkman LLP

(57) **CLAIM**

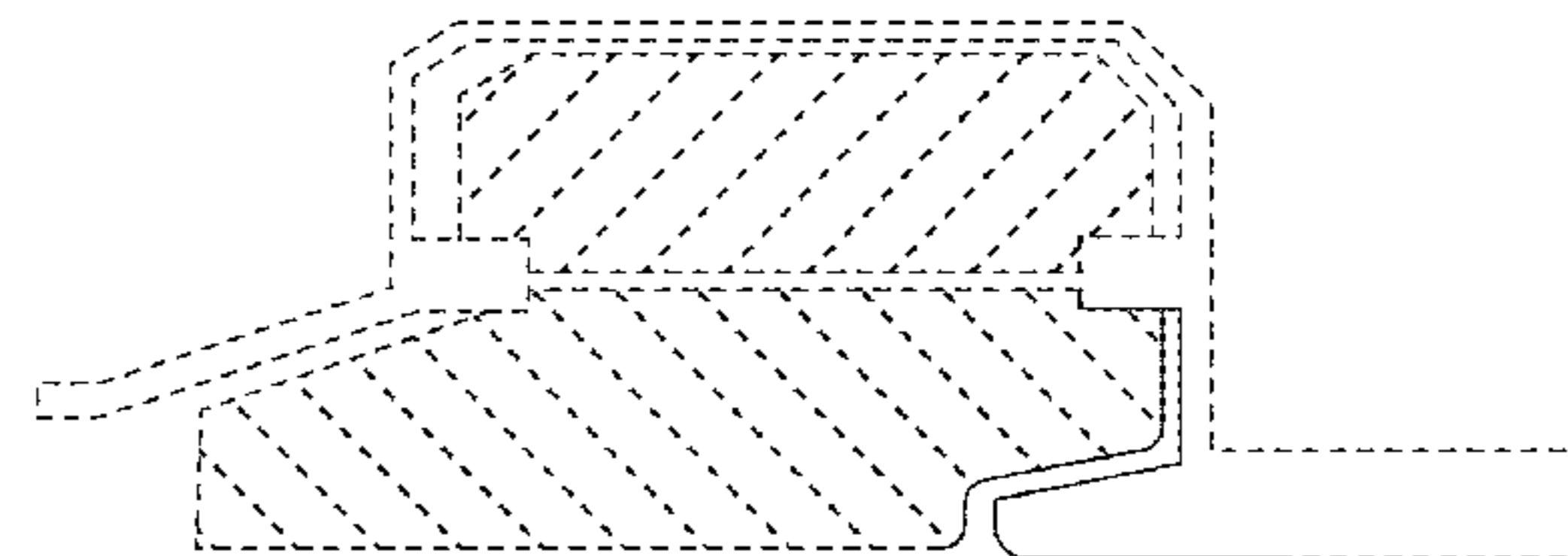
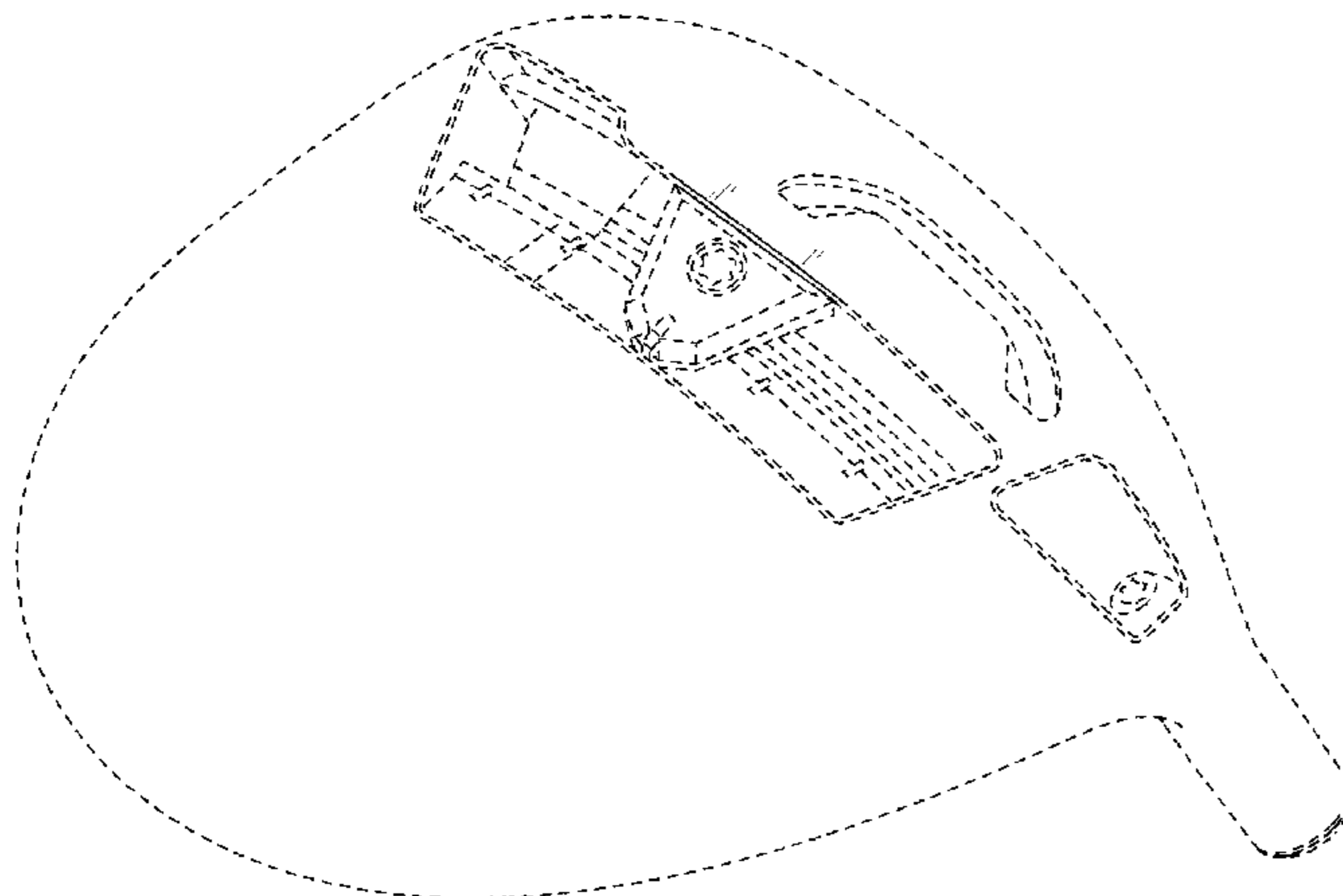
We claim the ornamental design for a golf club head, as shown and described.

**DESCRIPTION**

FIG. 1 is a perspective view of a golf club head, as viewed from the bottom and one side, according to one embodiment. FIG. 2 is a front elevation view of the golf club head of FIG. 1. FIG. 3 is a rear elevation view of the golf club head of FIG. 1. FIG. 4 is a side elevation view of a toe side of the golf club head of FIG. 1. FIG. 5 is a side elevation view of an opposite heel side of the golf club head of FIG. 1. FIG. 6 is a top plan view of the golf club head of FIG. 1. FIG. 7 is a bottom plan view of the golf club head of FIG. 1; and, FIG. 8 is a cross-section taken along line 8-8 of FIG. 7. The dashed lines in the drawings are for purposes of illustrating environmental structure as well as portions of the design that form no part of the claimed design.

**1 Claim, 6 Drawing Sheets**

- (56) **References Cited**  
**U.S. PATENT DOCUMENTS**  
D557,363 S 12/2007 Jertson et al.  
D558,287 S 12/2007 Jertson et al.  
D558,288 S 12/2007 Jertson et al.  
D579,064 S 10/2008 Beach et al.



(56)

**References Cited**

## U.S. PATENT DOCUMENTS

D675,272	S	1/2013	Greensmith et al.	
D686,679	S	7/2013	Greensmith et al.	
D692,077	S	10/2013	Greensmith et al.	
D697,152	S	1/2014	Harbert et al.	
D708,280	S *	7/2014	Sargent .....	D21/759
D709,571	S *	7/2014	Sargent .....	D21/759
D709,572	S *	7/2014	Sargent .....	D21/759
8,821,312	B2	9/2014	Burnett et al.	
8,827,831	B2	9/2014	Burnett et al.	
D714,869	S	10/2014	Turner et al.	
D714,891	S	10/2014	Greensmith	
D714,892	S	10/2014	Atwell	
8,888,607	B2	11/2014	Harbert et al.	
D724,165	S	3/2015	Cardani et al.	
8,986,133	B2	3/2015	Bennett et al.	
9,089,747	B2	7/2015	Boyd et al.	
9,089,749	B2	7/2015	Burnett et al.	
9,168,428	B2	10/2015	Albertsen et al.	
9,220,953	B2	12/2015	Beach et al.	
D767,694	S	9/2016	Nielson et al.	
D770,584	S *	11/2016	Sargent .....	D21/759
D774,152	S *	12/2016	Beach .....	D21/752
D782,590	S *	3/2017	Sargent .....	D21/759
D783,105	S	4/2017	Oyler	
D783,749	S *	4/2017	Becktor .....	D21/759
2007/0049417	A1	3/2007	Shear	
2014/0080622	A1	3/2014	Sargent et al.	
2014/0080628	A1	3/2014	Sargent et al.	
2014/0080629	A1 *	3/2014	Sargent .....	A63B 53/0466 473/336
2016/0001146	A1	1/2016	Sargent et al.	
2016/0059093	A1 *	3/2016	Nielson .....	A63B 53/02 473/338

\* cited by examiner

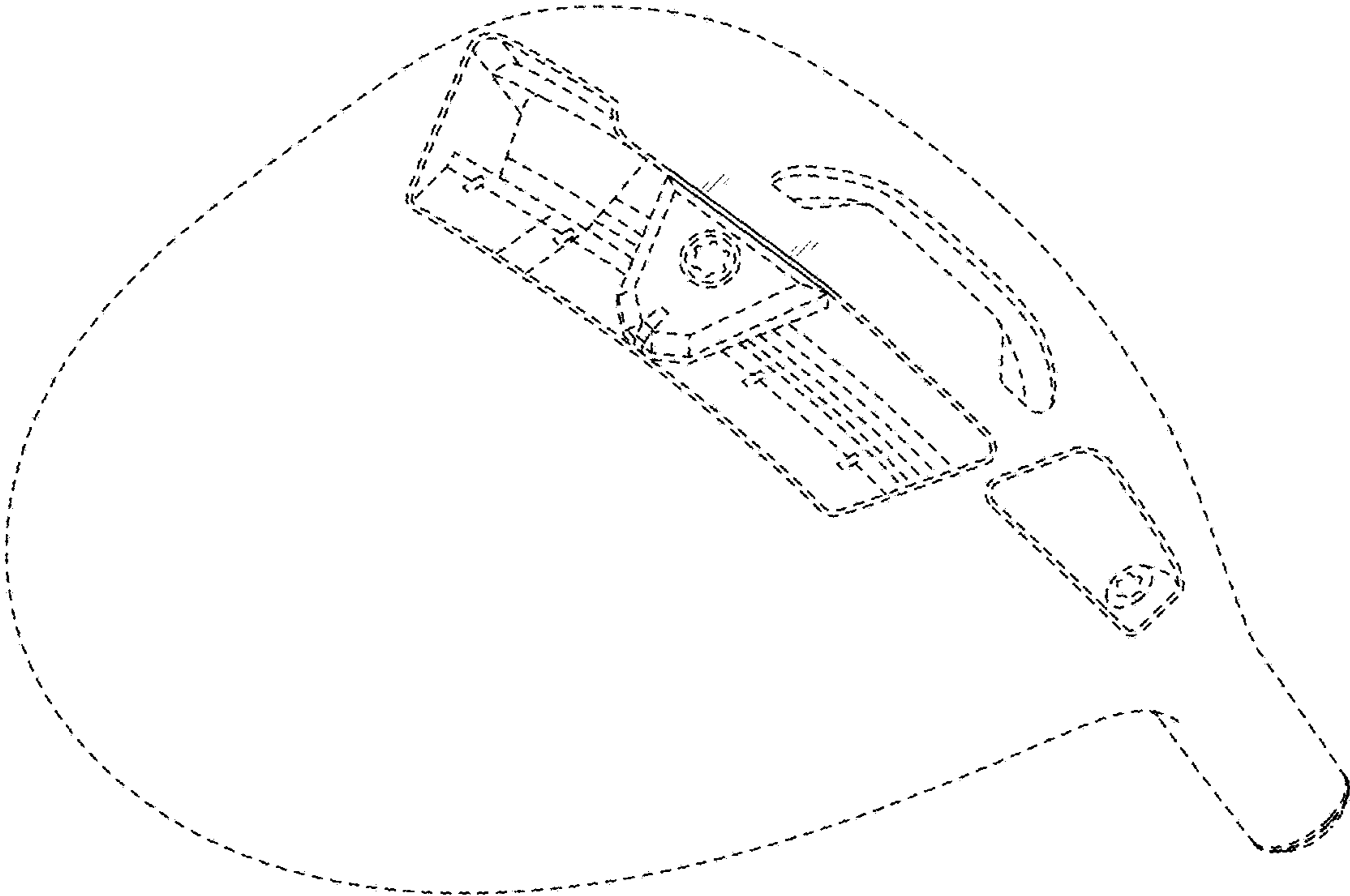


FIG. 1

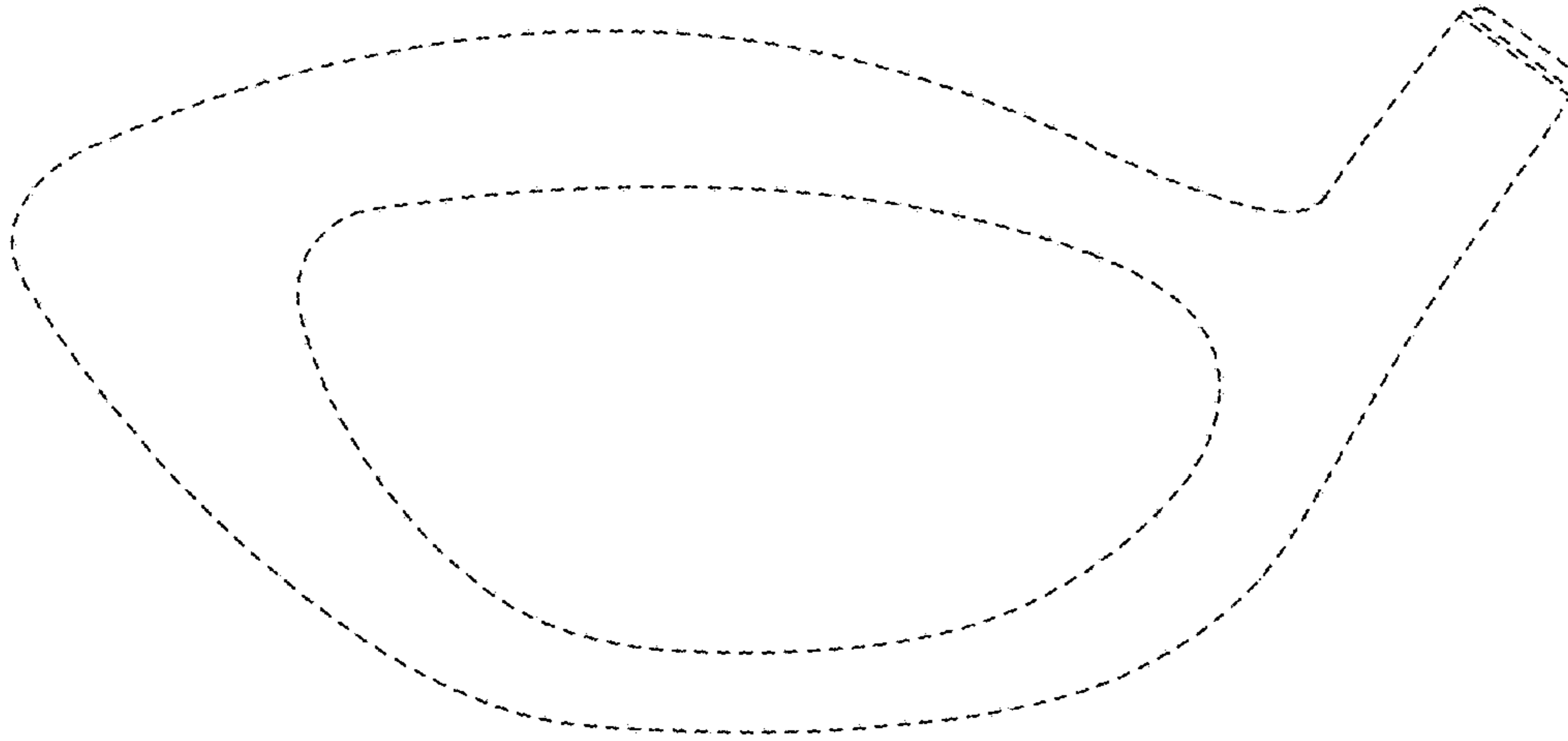


FIG. 2

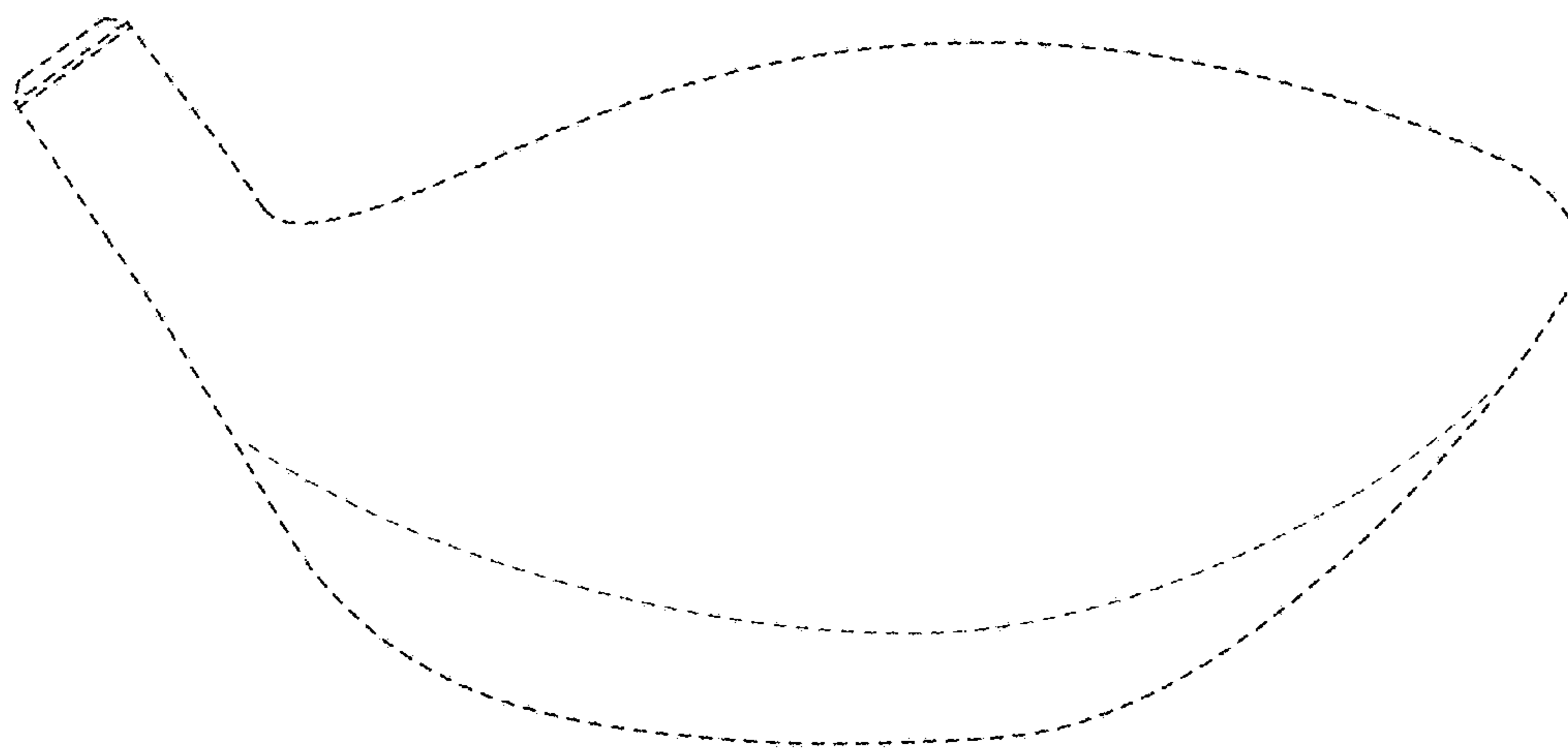


FIG. 3

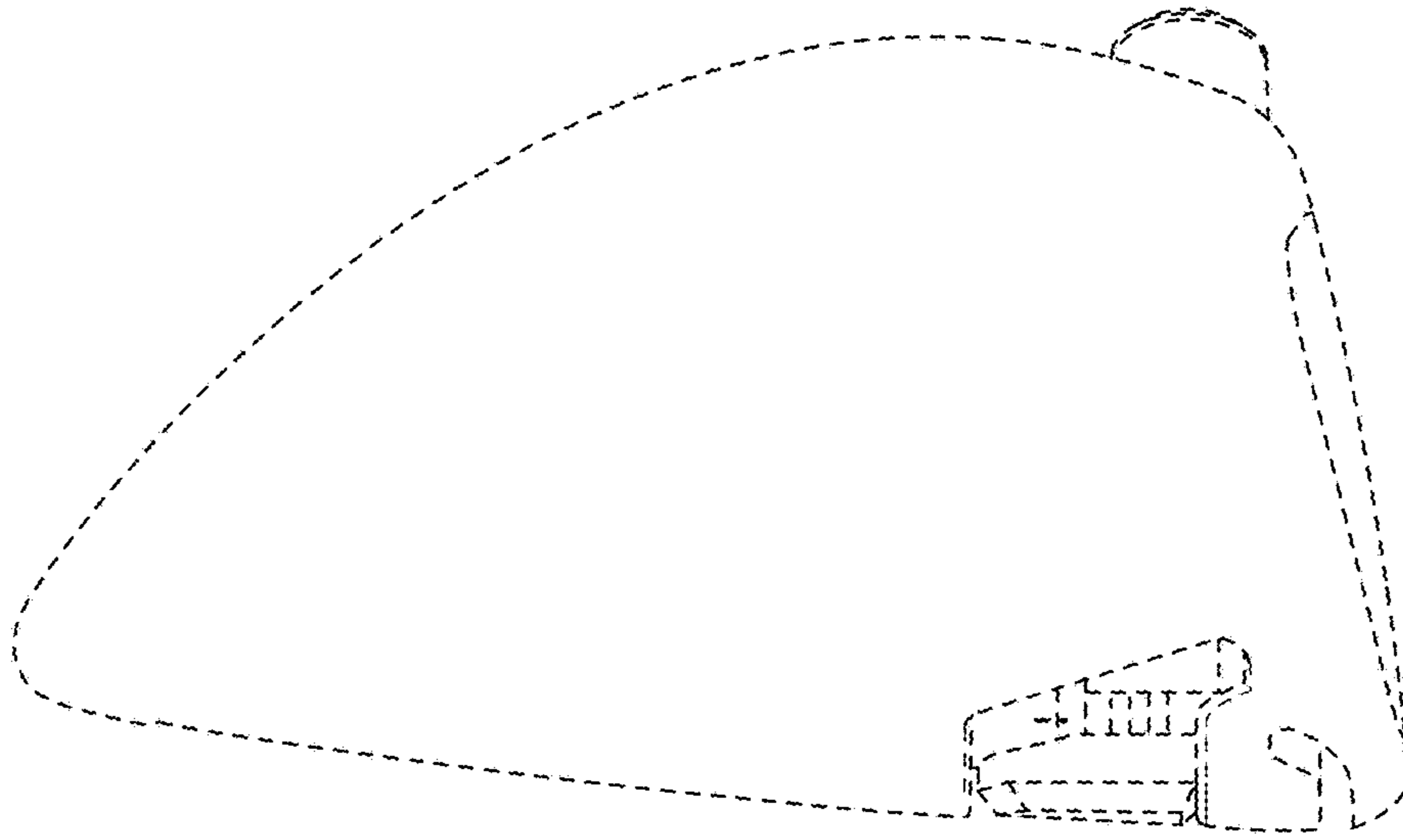


FIG. 4

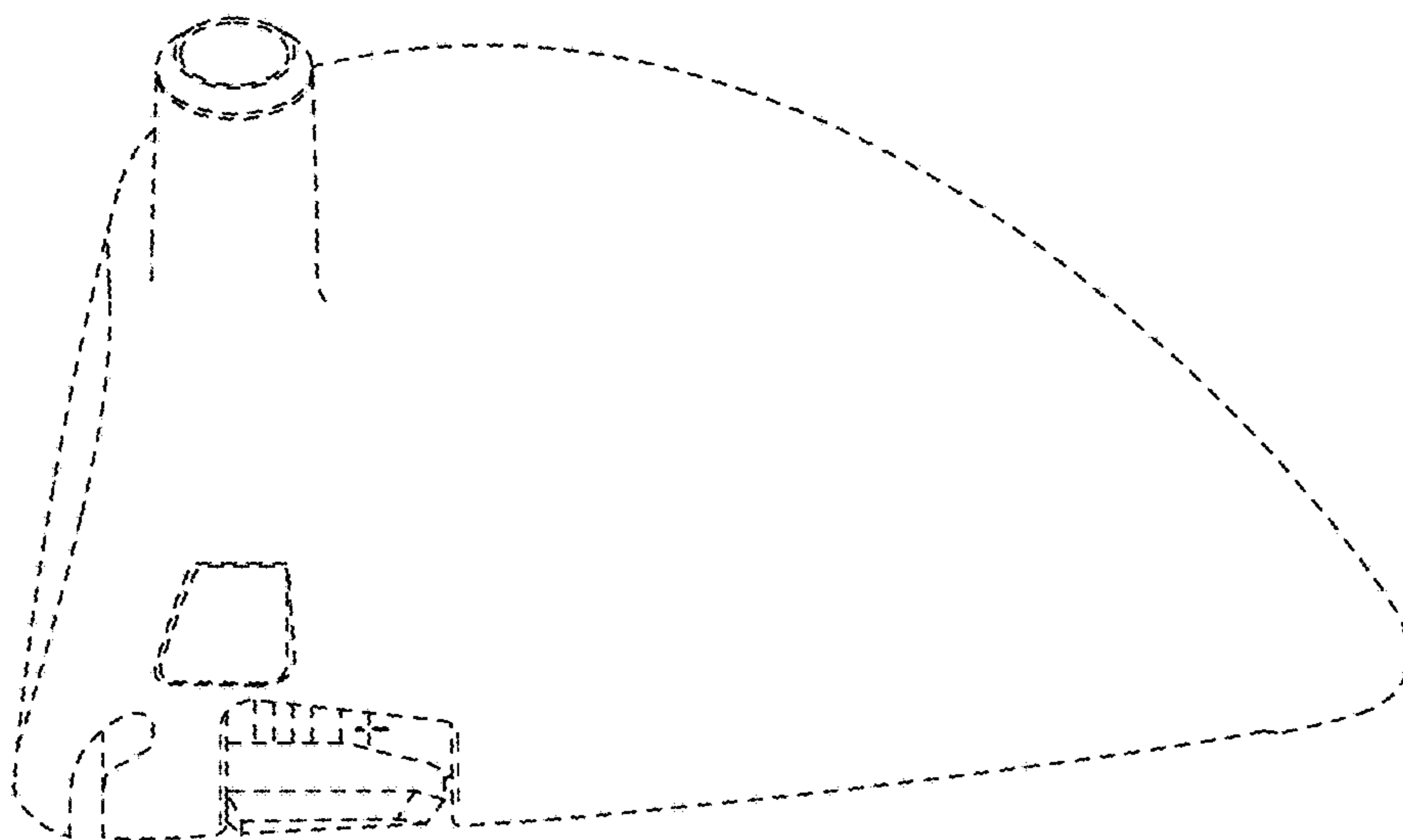


FIG. 5

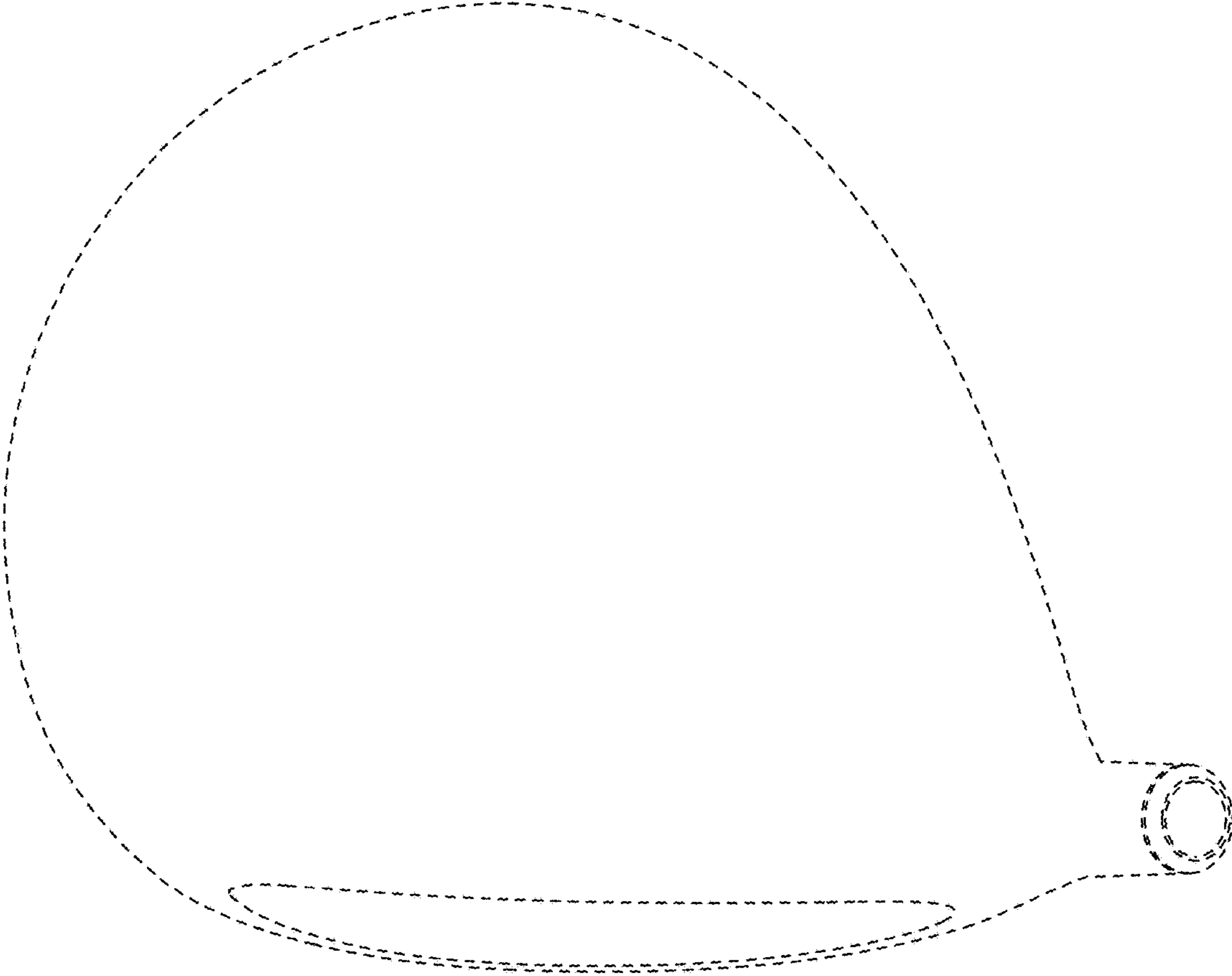


FIG. 6

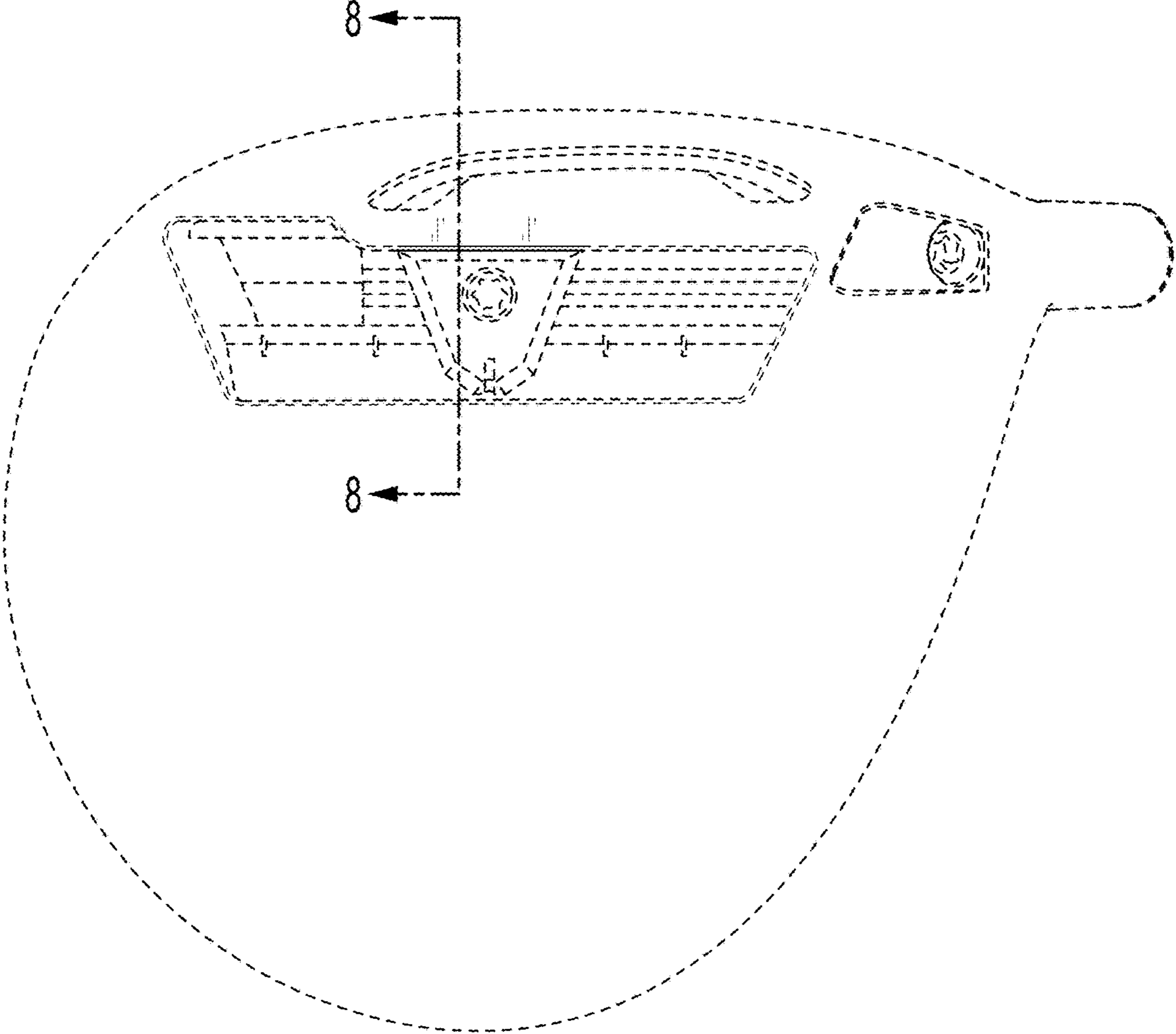


FIG. 7

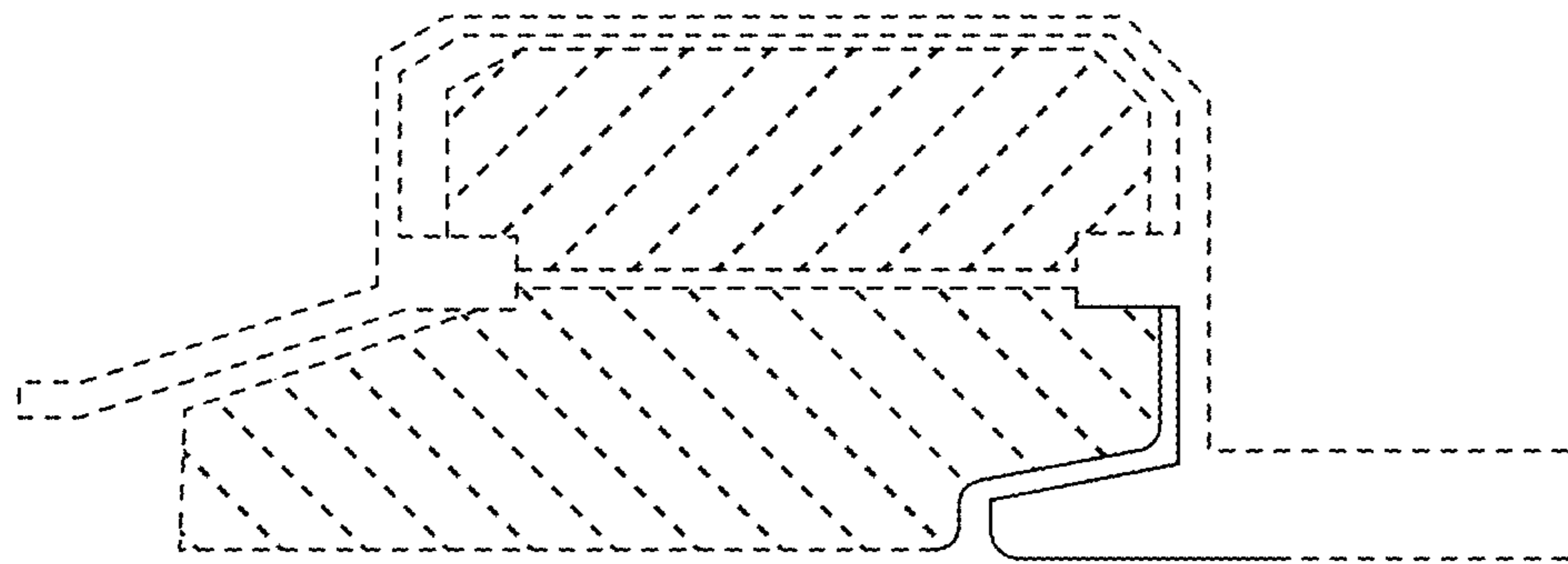


FIG. 8