



US00D813964S

(12) **United States Design Patent**
Kutilek et al.

(10) **Patent No.:** **US D813,964 S**
(45) **Date of Patent:** **** Mar. 27, 2018**

- (54) **TROPHY PUTTER**
- (71) Applicants: **Michael S. Kutilek**, Omaha, NE (US);
Joseph W. Kutilek, Omaha, NE (US)
- (72) Inventors: **Michael S. Kutilek**, Omaha, NE (US);
Joseph W. Kutilek, Omaha, NE (US)
- (73) Assignee: **TheTrophyPutter, LLC**, Omaha, NE (US)
- (**) Term: **15 Years**
- (21) Appl. No.: **29/571,521**
- (22) Filed: **Jul. 19, 2016**
- (51) **LOC (11) Cl.** **21-02**
- (52) **U.S. Cl.**
USPC **D21/757; D11/157**
- (58) **Field of Classification Search**
USPC D21/735–746, 756–757; D11/131, 157
CPC A63B 53/10; A63B 53/12; A63B 60/00;
A63B 60/46; A47G 33/004
See application file for complete search history.

(56) **References Cited**

U.S. PATENT DOCUMENTS

- 590,374 A * 9/1897 Osburn H02G 3/0418
138/101
- 4,273,537 A * 6/1981 Borisof A63H 33/14
428/187
- D275,744 S * 10/1984 McJunkin D11/157
- D279,556 S * 7/1985 McJunkin D11/133
- D279,558 S * 7/1985 McJunkin D11/157
- D286,863 S * 11/1986 Lee D11/160
- D295,269 S * 4/1988 Allgood, II D11/157

- D372,886 S * 8/1996 Walker D11/131
- 5,545,094 A * 8/1996 Hsu A63B 53/10
473/317
- 5,568,006 A * 10/1996 Luff H03H 9/1021
310/340
- 6,251,027 B1 * 6/2001 Buchanan A63B 53/007
473/300
- 6,863,618 B2 * 3/2005 Perry A63B 53/10
473/242
- D579,069 S * 10/2008 Gedeon D21/757
- D606,146 S * 12/2009 Gedeon D21/757
- 8,283,045 B2 * 10/2012 Stoelting B44C 5/04
150/160
- D732,420 S * 6/2015 Wachob D11/131

* cited by examiner

Primary Examiner — Mitchell I. Siegel

(74) *Attorney, Agent, or Firm* — Advent, LLP

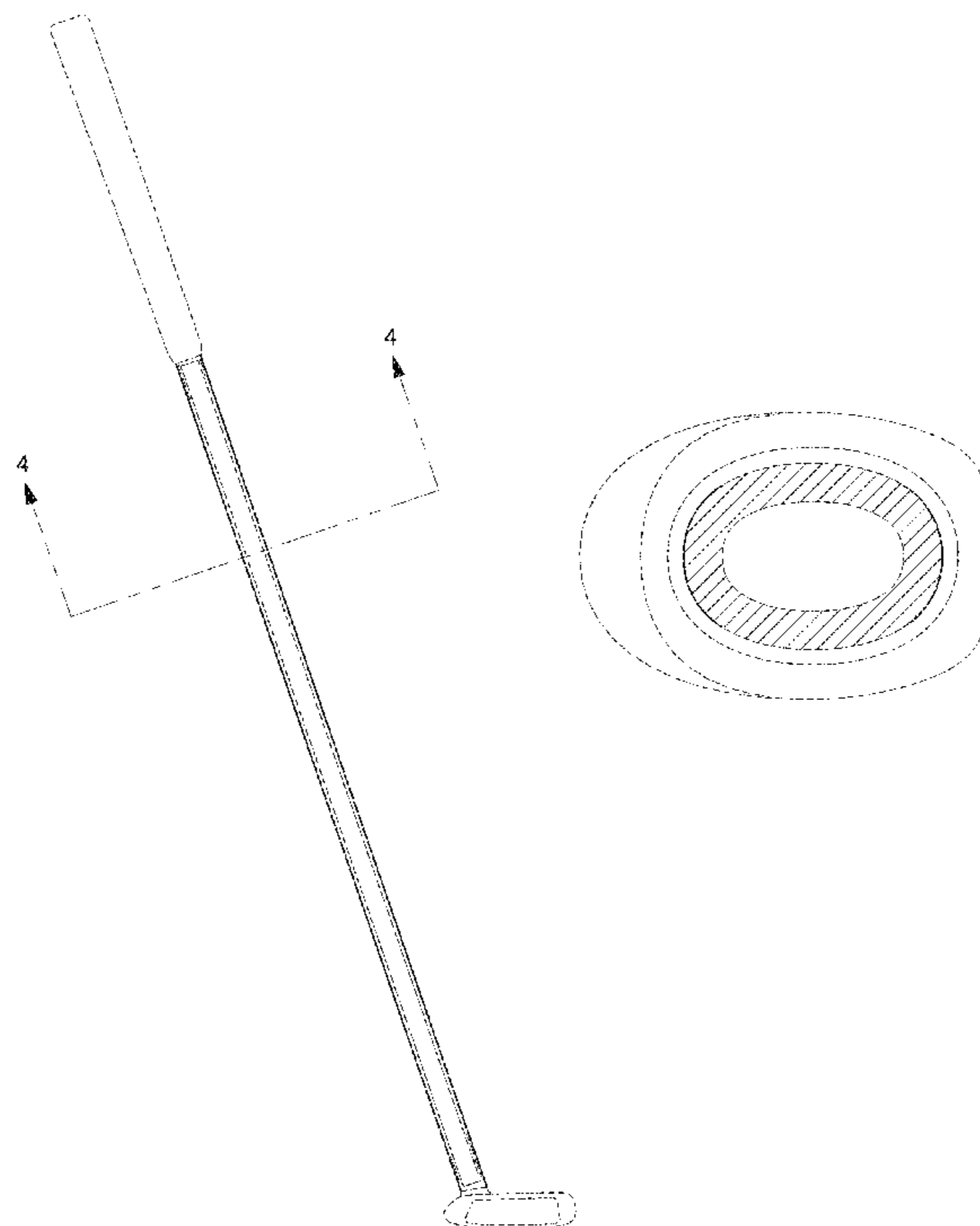
(57) **CLAIM**

The ornamental design for a trophy putter, as shown and described.

DESCRIPTION

FIG. 1 is a front elevation view of a trophy putter.
 FIG. 2 is a rear elevation view of the trophy putter of FIG. 1.
 FIG. 3 is an isometric view of the trophy putter of FIG. 1; and,
 FIG. 4 is a cross-sectional view of the trophy putter of FIG. 1, taken on the line 4-4 in FIG. 1.
 Portions of FIGS. 1 through 4 are shown in broken lines illustrating portions of the article that form no part of the claimed design.

1 Claim, 4 Drawing Sheets



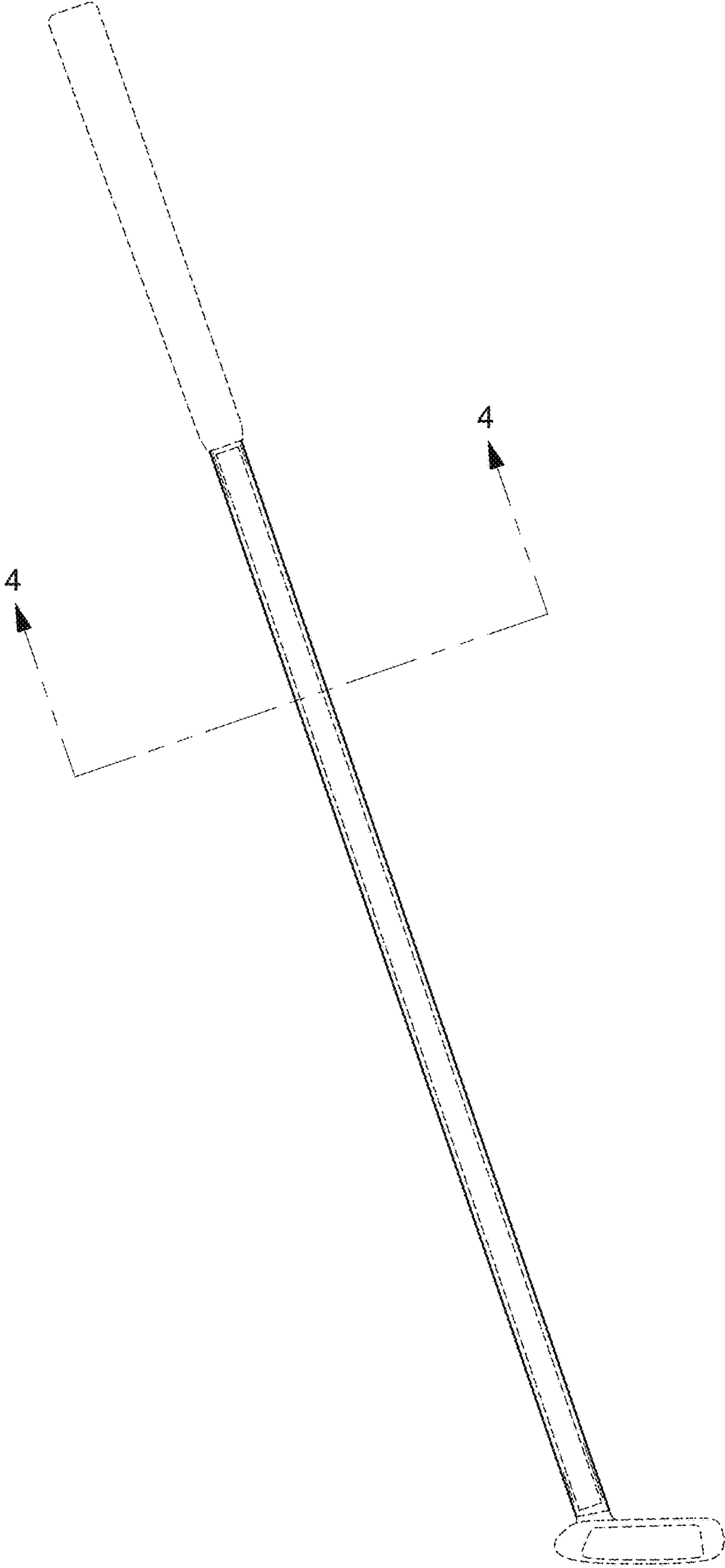


FIG. 1

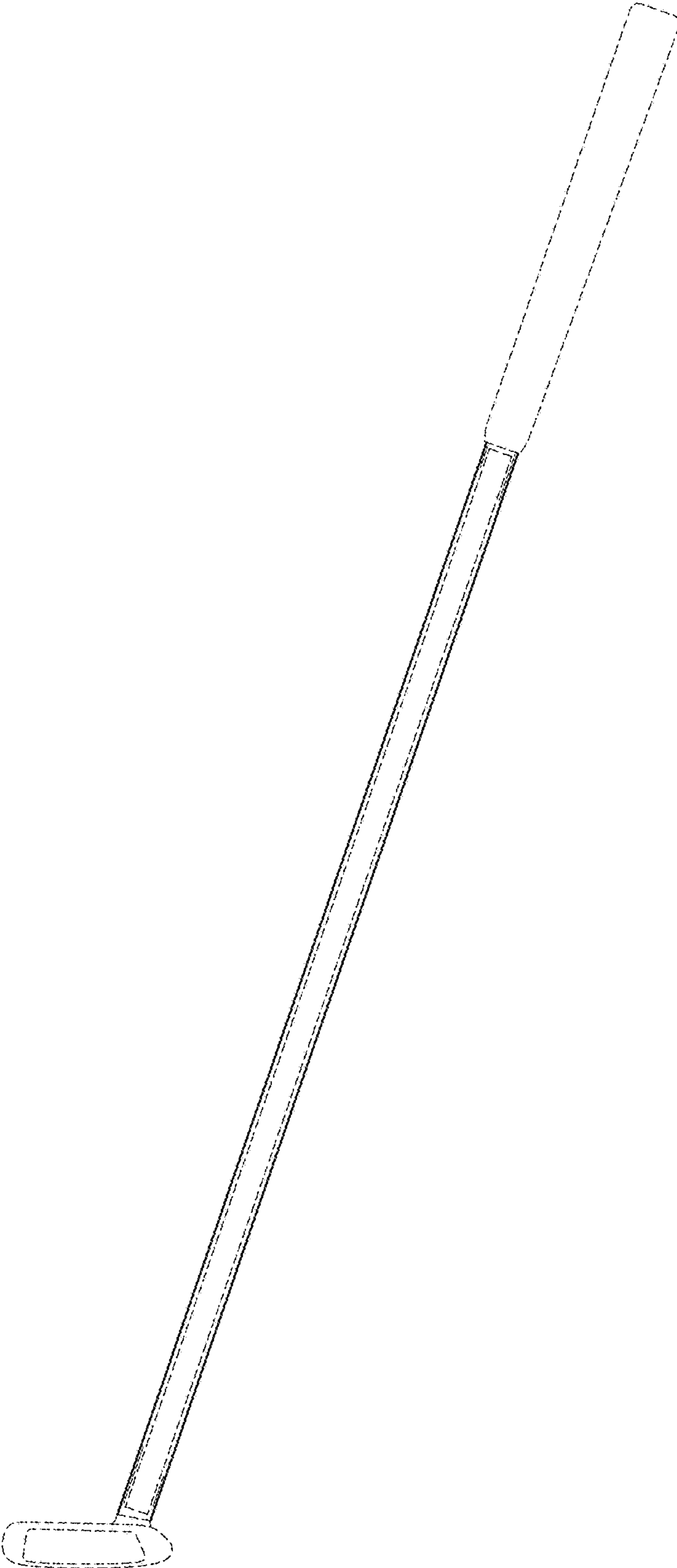


FIG. 2

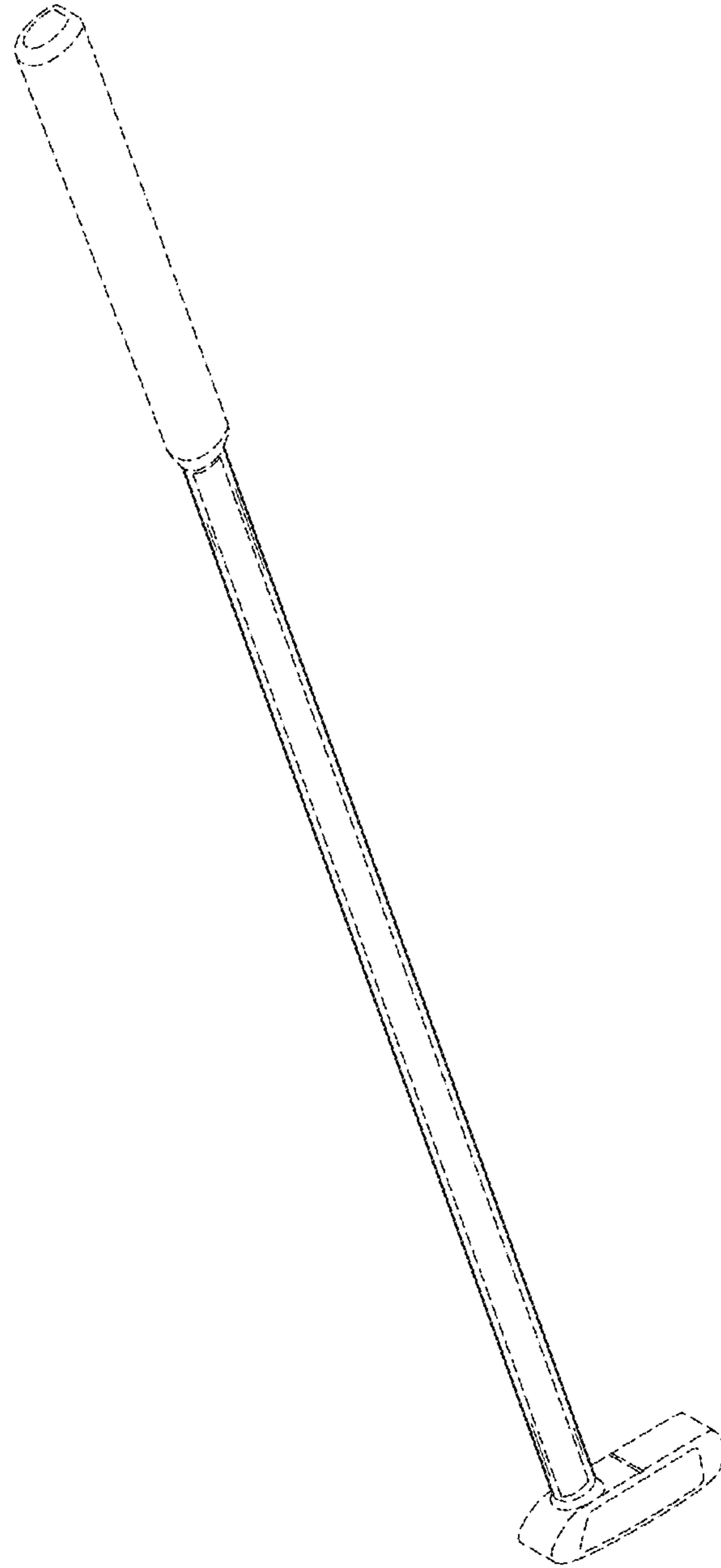


FIG. 3

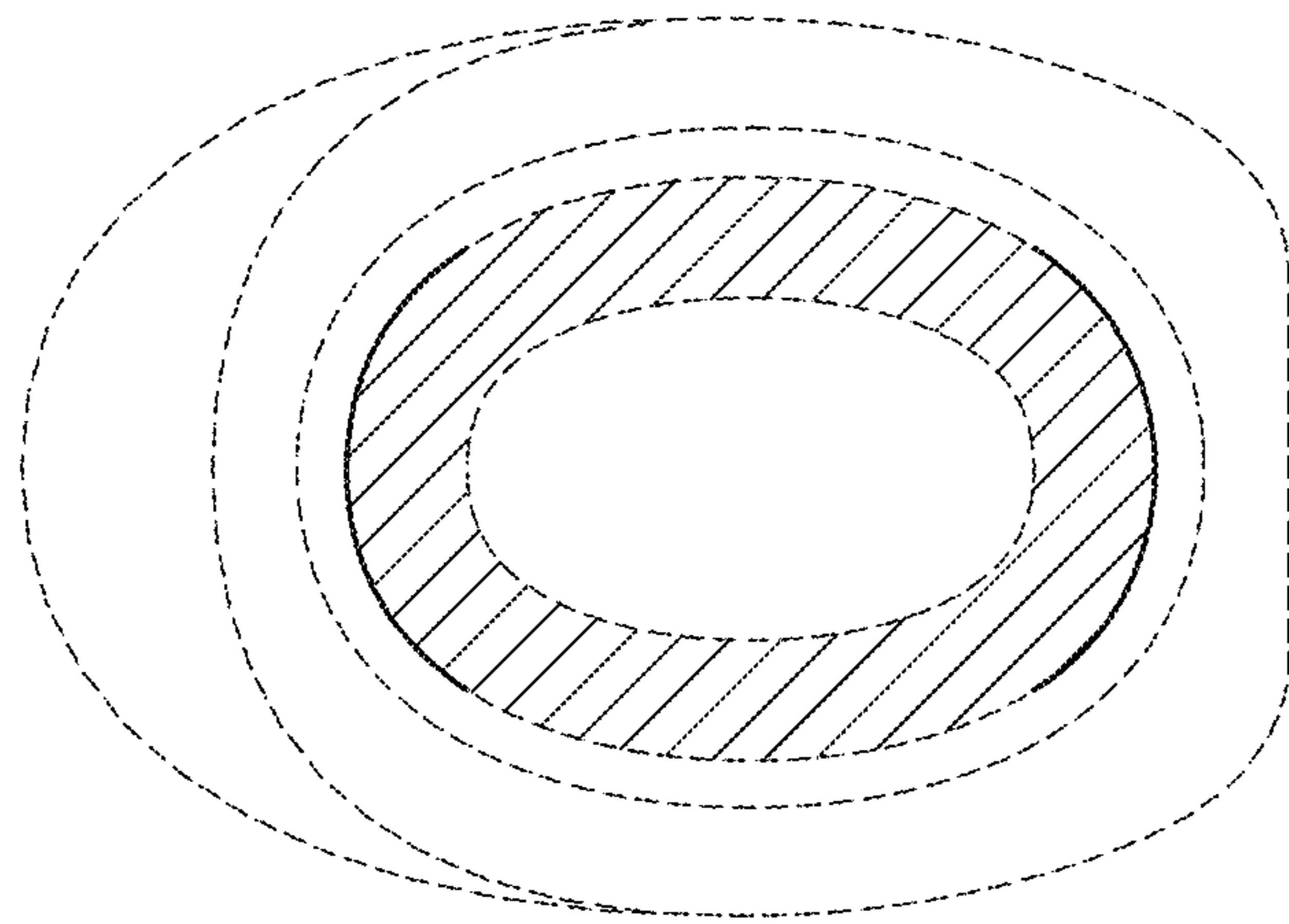


FIG. 4