



US00D813963S

(12) **United States Design Patent**
Lapuz

(10) **Patent No.:** **US D813,963 S**
(45) **Date of Patent:** **** Mar. 27, 2018**

- (54) **MALLET**
- (71) Applicant: **Phillip Lapuz**, Carlsbad, CA (US)
- (72) Inventor: **Phillip Lapuz**, Carlsbad, CA (US)
- (**) Term: **15 Years**
- (21) Appl. No.: **29/594,106**
- (22) Filed: **Feb. 15, 2017**
- (51) **LOC (11) Cl.** **21-02**
- (52) **U.S. Cl.**
USPC **D21/742**
- (58) **Field of Classification Search**
USPC D21/736-746, 759
CPC A63B 53/00; A63B 53/04; A63B 53/007;
A63B 53/065; A63B 53/0487; A63B
60/00; A63B 60/46
See application file for complete search history.

D591,807 S *	5/2009	Rollinson	D21/744
D595,373 S *	6/2009	Kim	D21/744
D688,341 S *	8/2013	Rollinson	D21/746
D691,226 S *	10/2013	Hilton	D21/746
D701,274 S *	3/2014	Rollinson	D21/736
D728,715 S *	5/2015	Cameron	D21/736
D730,464 S *	5/2015	Cameron	D21/743
D731,605 S *	6/2015	Rollinson	D21/736
D768,248 S *	10/2016	Rollinson	D21/744
D773,573 S *	12/2016	Abbott	D21/744
D776,771 S *	1/2017	Peterson	D21/744
D777,270 S *	1/2017	Rollinson	D21/744
D801,459 S *	10/2017	Rollinson	D21/746

* cited by examiner

Primary Examiner — Mitchell I. Siegel
(74) *Attorney, Agent, or Firm* — Eric Hanscom

(57) **CLAIM**

The ornamental design for a mallet, as shown and described.

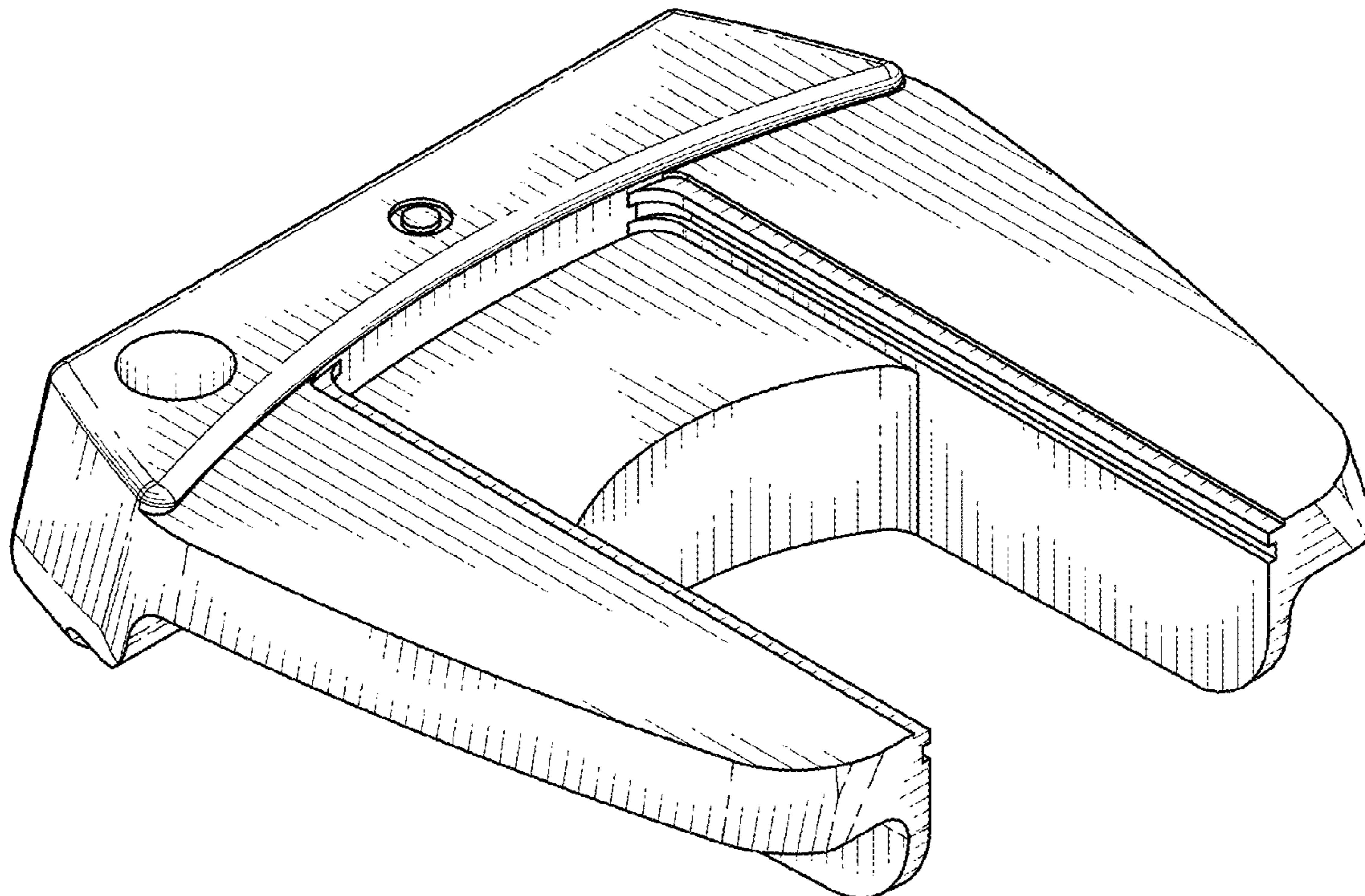
DESCRIPTION

FIG. 1 is a perspective view of a mallet;
FIG. 2 is a back view thereof;
FIG. 3 is a front view thereof;
FIG. 4 is a right-side view thereof;
FIG. 5 is a left-side view thereof;
FIG. 6 is a bottom view thereof; and,
FIG. 7 is a top view thereof.

1 Claim, 5 Drawing Sheets

(56) **References Cited**
U.S. PATENT DOCUMENTS

D532,844 S *	11/2006	Rollinson	D21/736
D532,845 S *	11/2006	Rollinson	D21/736
D574,908 S *	8/2008	Hettinger	D21/743
D582,497 S *	12/2008	Rollinson	D21/744
D589,575 S *	3/2009	Kim	D21/744
D590,461 S *	4/2009	Kim	D21/743



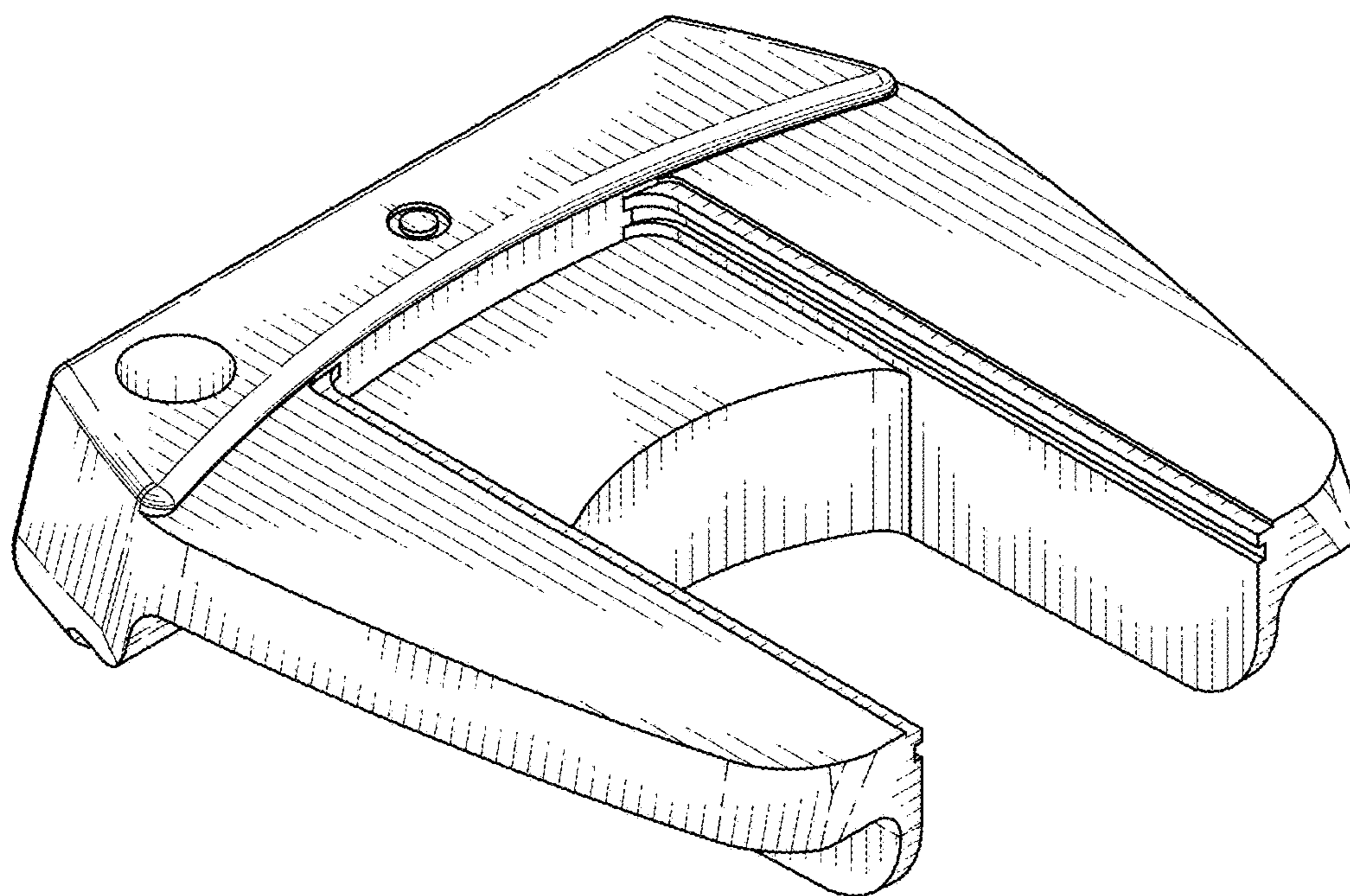


FIG. 1

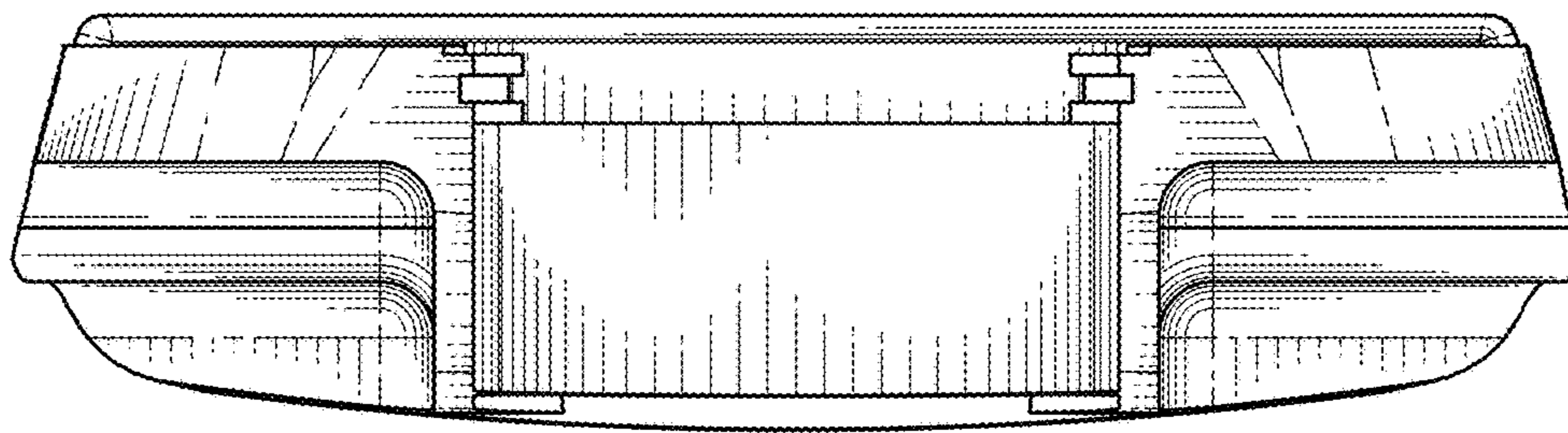


FIG. 2

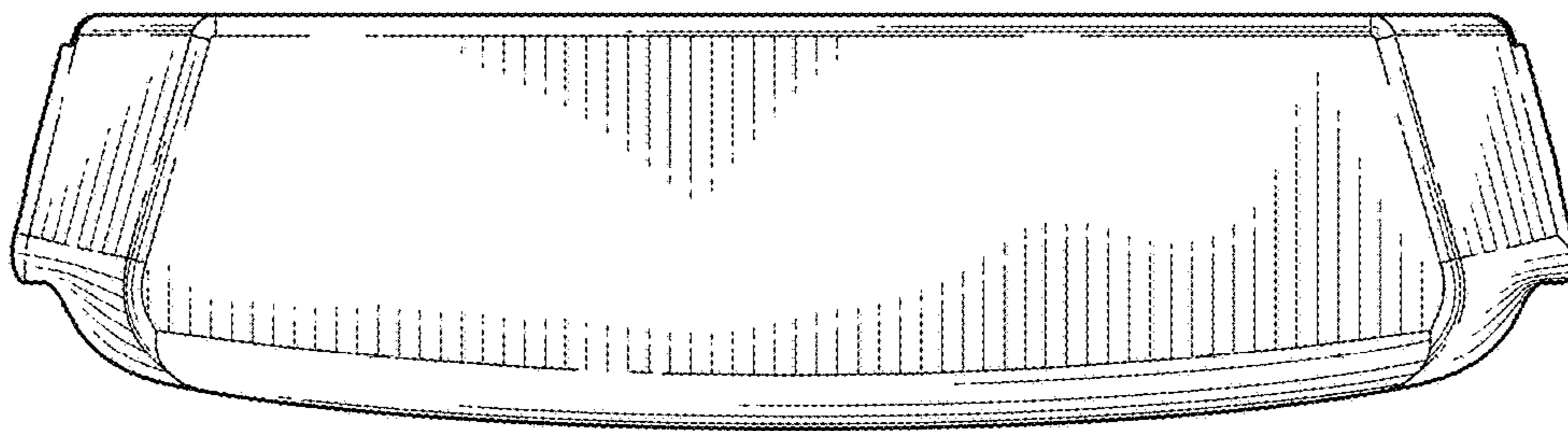


FIG. 3

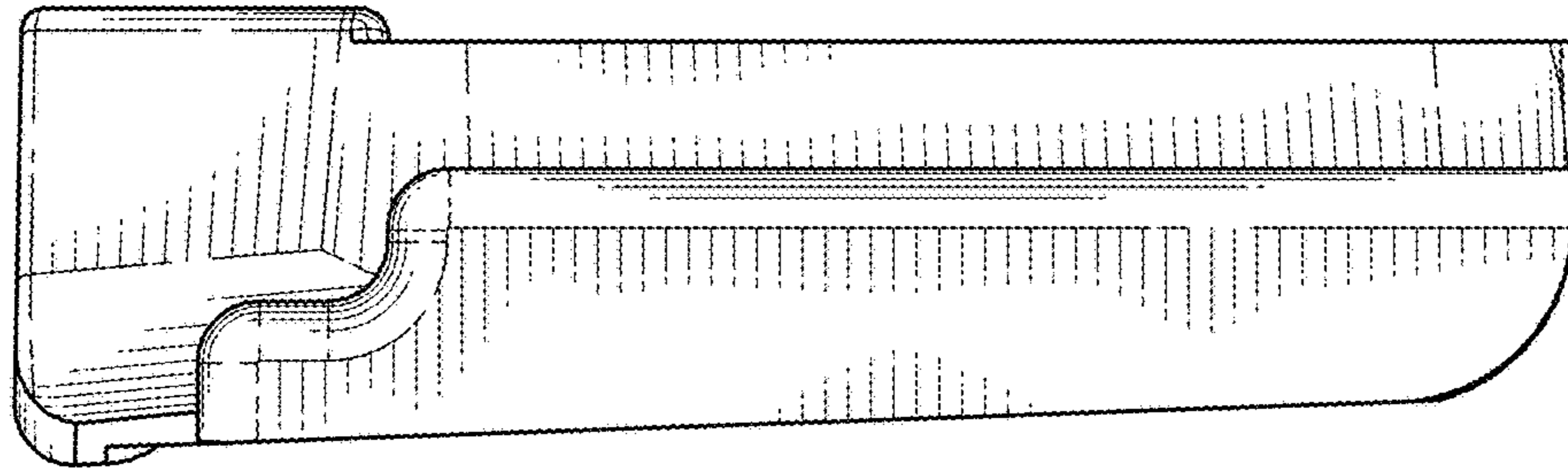


FIG. 4

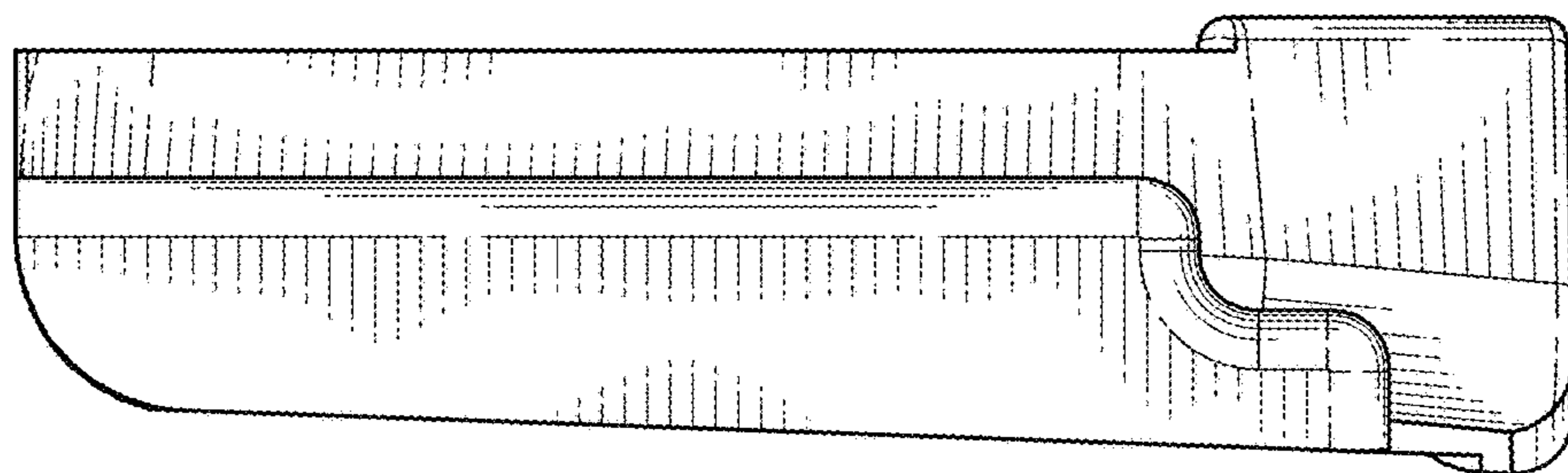


FIG. 5

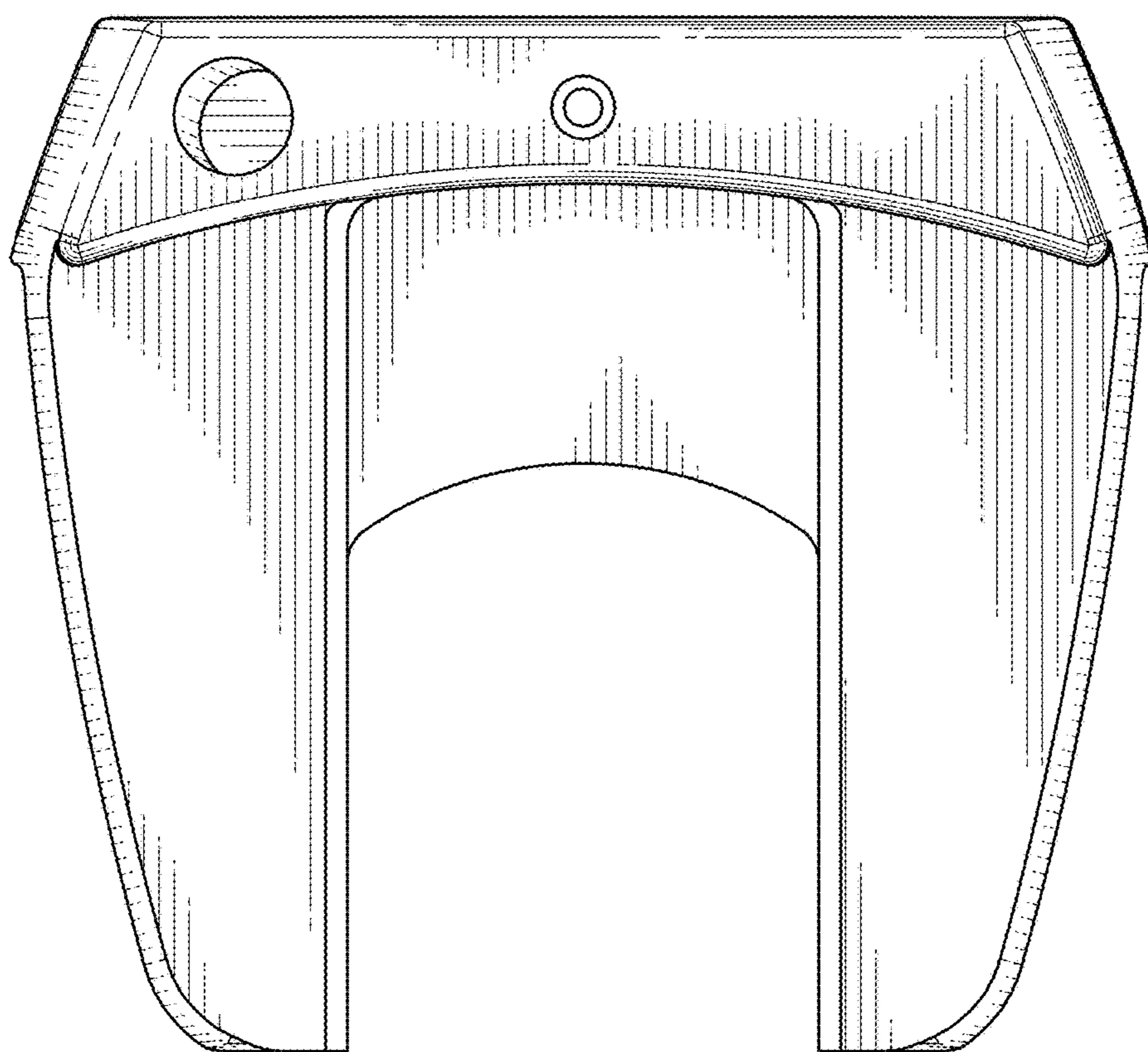


FIG. 6

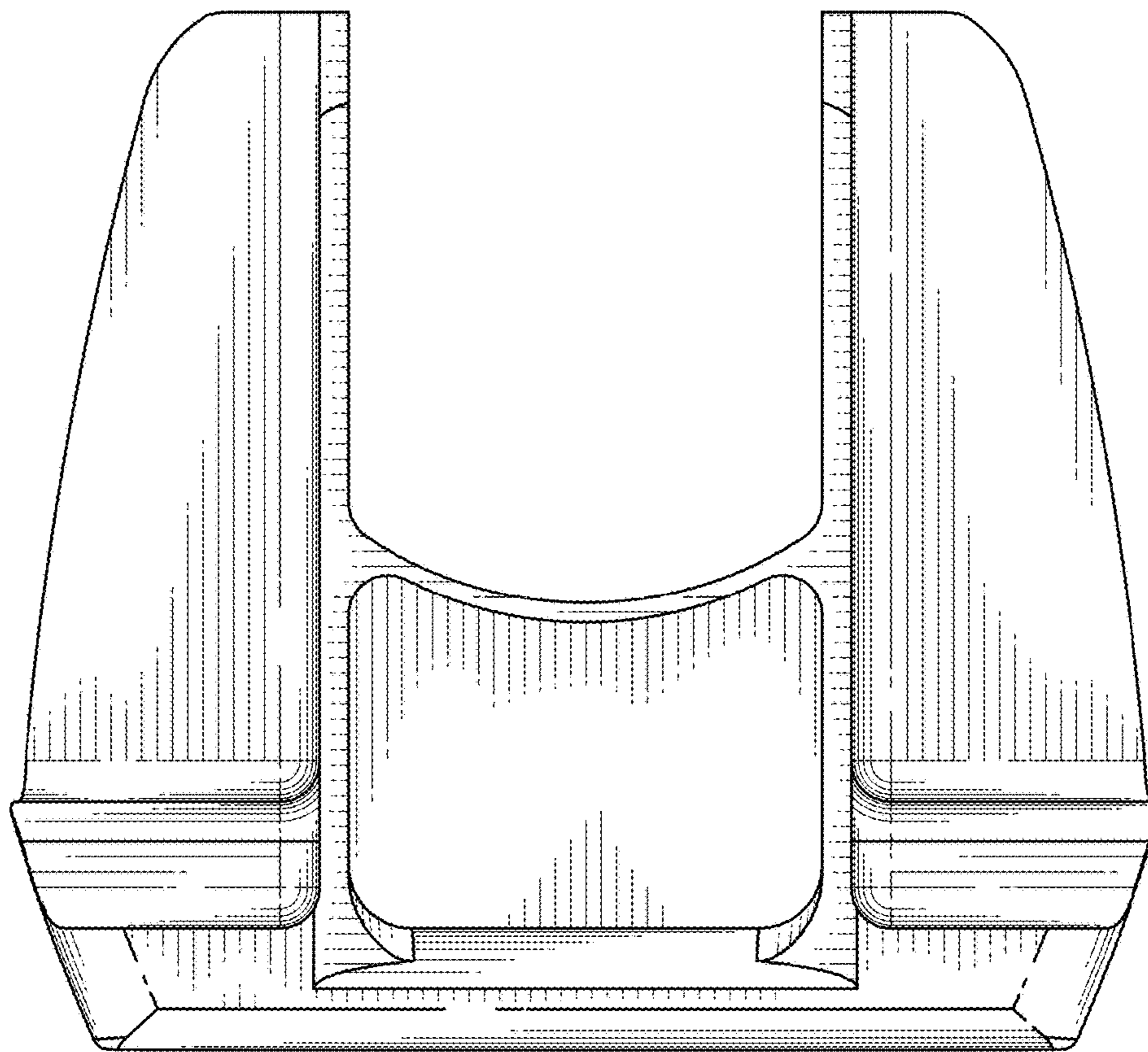


FIG. 7