



US00D813960S

(12) **United States Design Patent**
Boruch

(10) **Patent No.:** **US D813,960 S**
(45) **Date of Patent:** **** Mar. 27, 2018**

(54) **METAL HOOK GRIP ASSIST**

(71) Applicant: **Ilya Boruch**, Brooklyn, NY (US)

(72) Inventor: **Ilya Boruch**, Brooklyn, NY (US)

(**) Term: **15 Years**

(21) Appl. No.: **29/588,205**

(22) Filed: **Dec. 19, 2016**

(51) **LOC (11) Cl.** **21-02**

(52) **U.S. Cl.**
USPC **D21/684**

(58) **Field of Classification Search**
USPC 2/160, 161.1, 162, 170; 482/23, 105,
482/106, 107, 108, 139; 602/1, 21, 36,
602/60, 64; D21/662, 684, 686, 694
CPC A63B 21/4021; A63B 21/4017; A63B
21/4035

See application file for complete search history.

(56) **References Cited**

U.S. PATENT DOCUMENTS

4,487,412 A *	12/1984	Meeko	A63B 21/4021 482/106
4,807,876 A *	2/1989	Lothar	A63B 71/00 482/106
5,298,001 A *	3/1994	Goodson	A63B 21/4021 2/161.1
5,846,168 A *	12/1998	Murray	A63B 21/4019 482/105
D459,772 S *	7/2002	Meldeau	D21/662
D464,686 S *	10/2002	Silveira	D21/662
D752,695 S *	3/2016	Boruch	D21/684
2014/0057762 A1 *	2/2014	Olivarez	A63B 21/072 482/106

OTHER PUBLICATIONS

Amazon "Farabi Pull Up Bar Straps Wrist Support Weight Lifting Gym Hook Exercise". https://www.amazon.com/Farabi-Straps-Support-Lifting-Exercise/dp/B00YS9FBW6/ref=pd_ybh_a_12?_encoding=UTF8&psc=1&refRID=9TVGW3SH0RNKXF92G7KX. Sep. 16, 2015.*

* cited by examiner

Primary Examiner — Cynthia Ramirez

Assistant Examiner — Michael A Maharajh

(74) *Attorney, Agent, or Firm* — William B. Ritchie

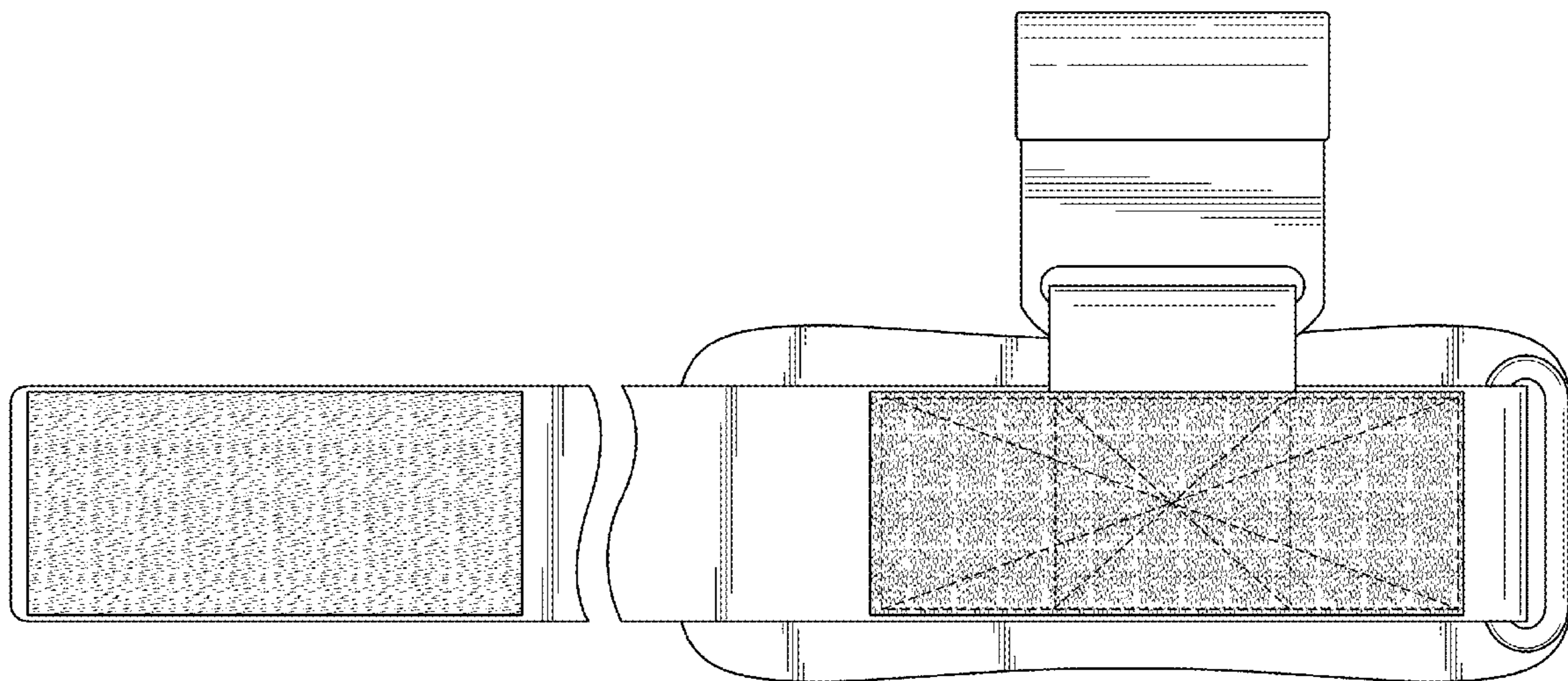
(57) **CLAIM**

The ornamental design for a metal hook grip assist, as shown.

DESCRIPTION

FIG. 1 is a top isometric view of the metal hook grip, showing my new design;
FIG. 2 is a top view thereof;
FIG. 3 is a front view thereof;
FIG. 4 is a bottom view thereof;
FIG. 5 is a back view thereof;
FIG. 6 is a left view thereof; and,
FIG. 7 is a top perspective of the metal hook grip in use. The metal hook grip is shown with a symbolic break in its length. The appearance of any portion of the article between the break lines forms no part of the claimed design. The broken lines in FIGS. 1, 2 and 7 indicate stitching which form no part of the claimed design. The hand shown in broken lines in FIG. 7 is for the purpose of illustrating environmental structure which form no part of the claimed design.

1 Claim, 6 Drawing Sheets



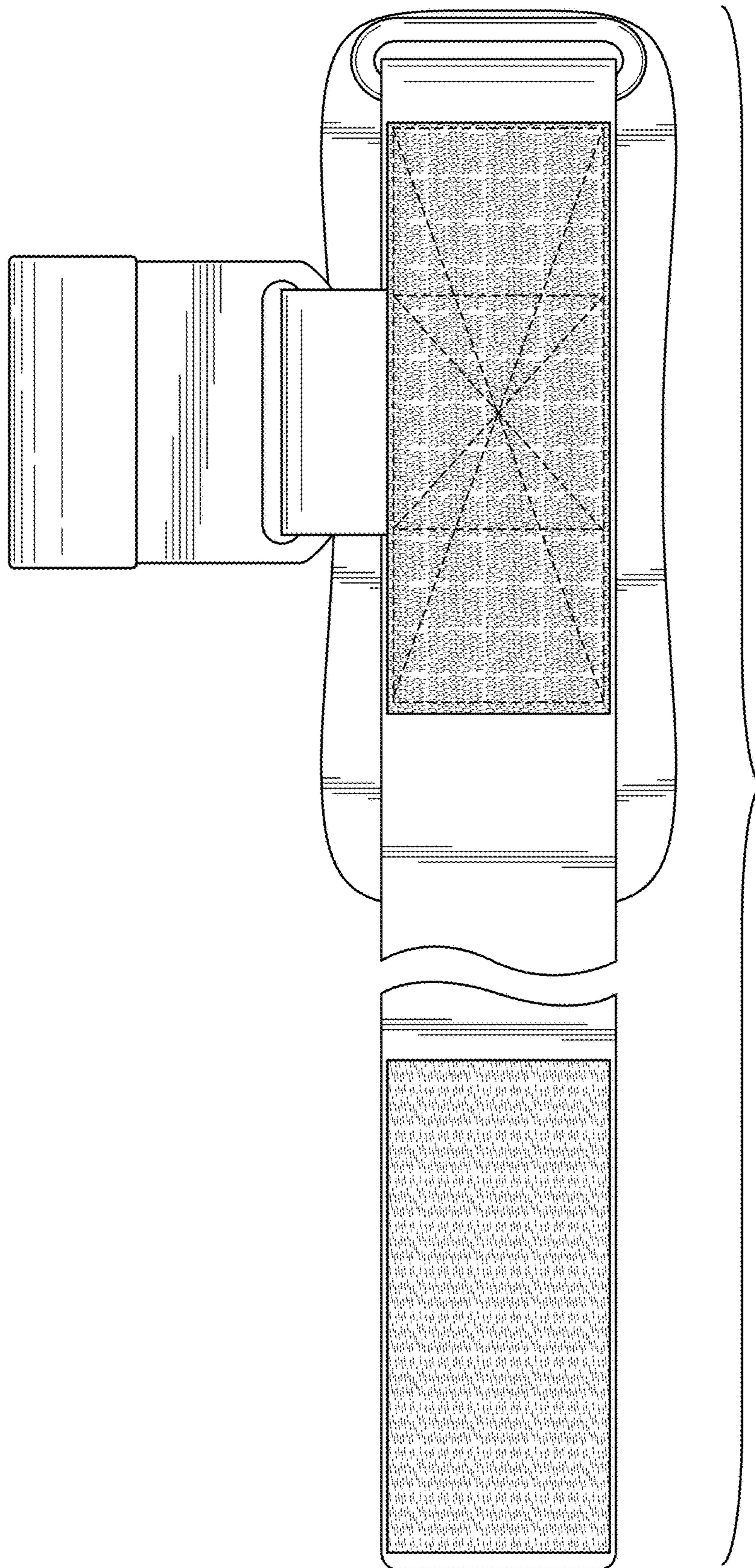


FIG. 1



FIG. 2

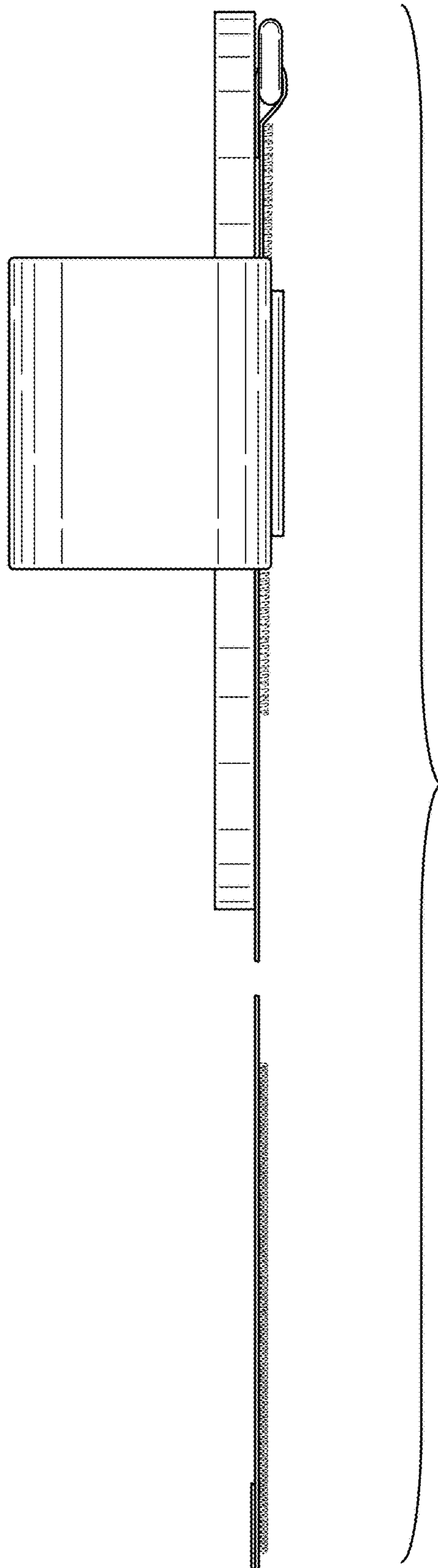


FIG. 3

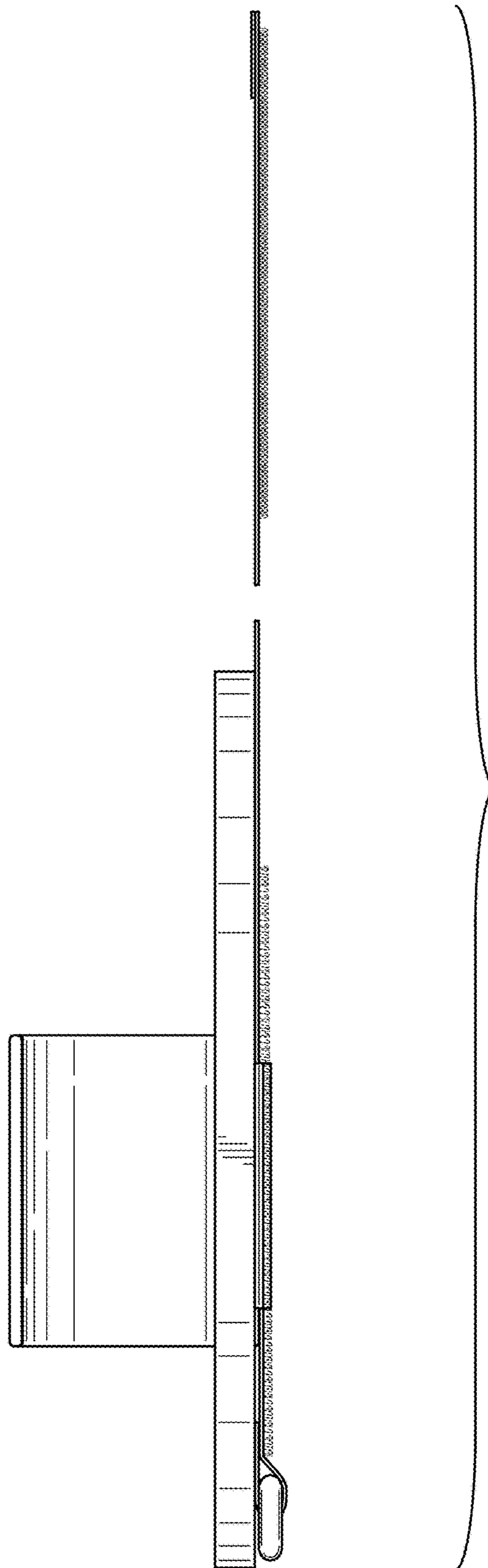


FIG. 4

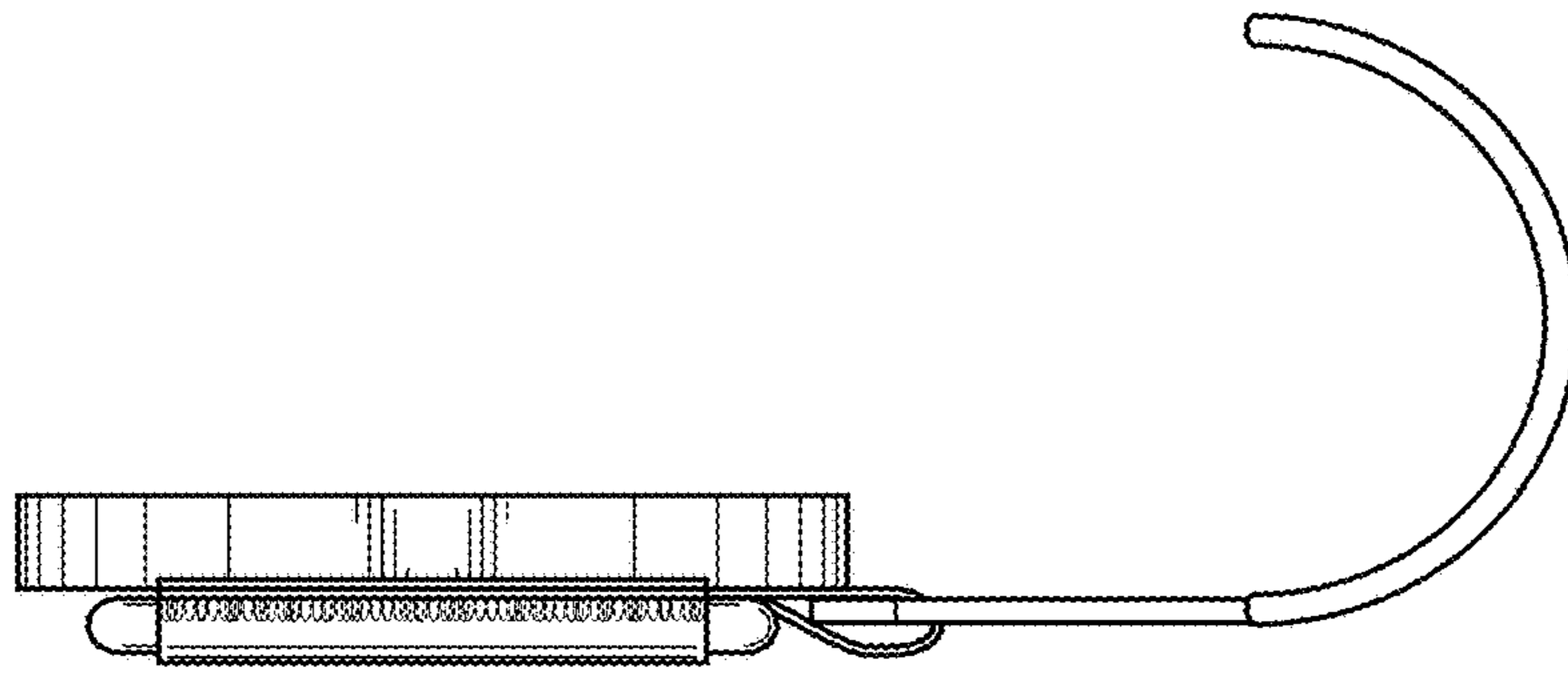


FIG. 5

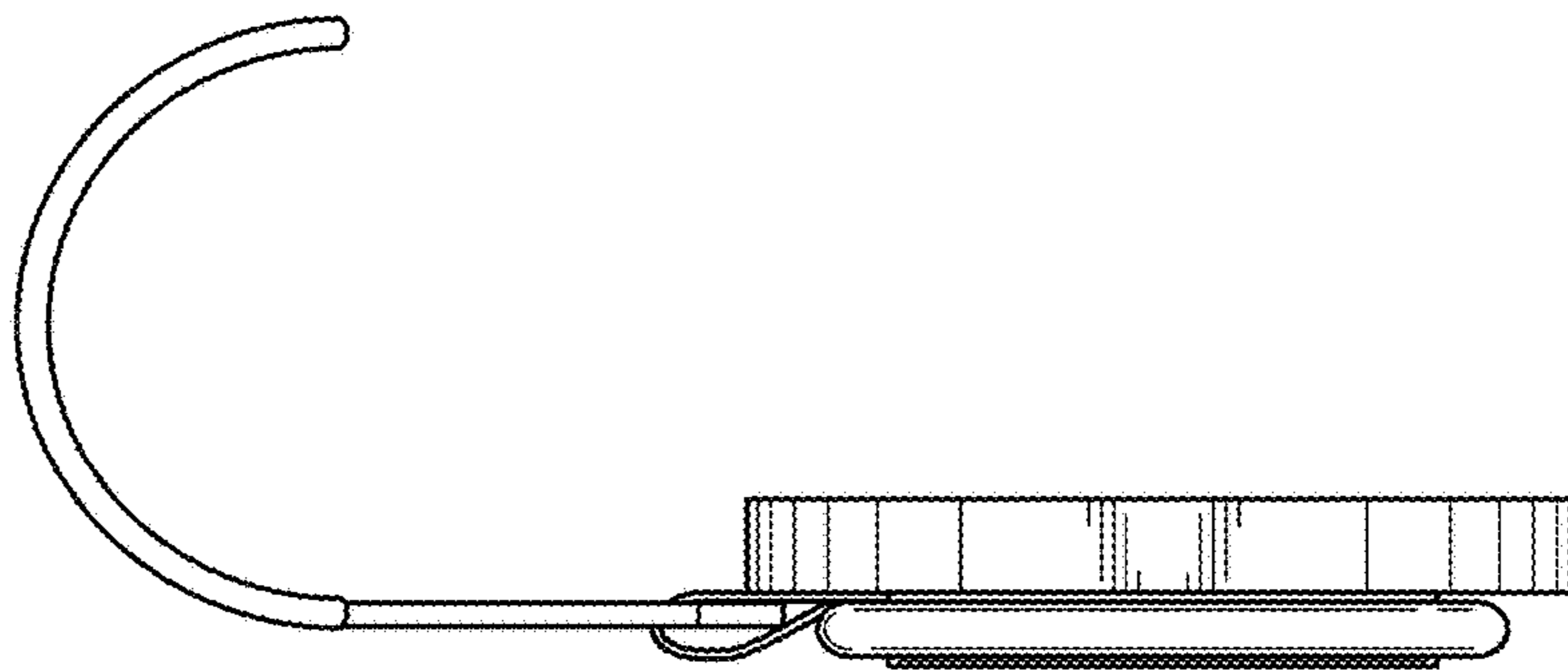


FIG. 6

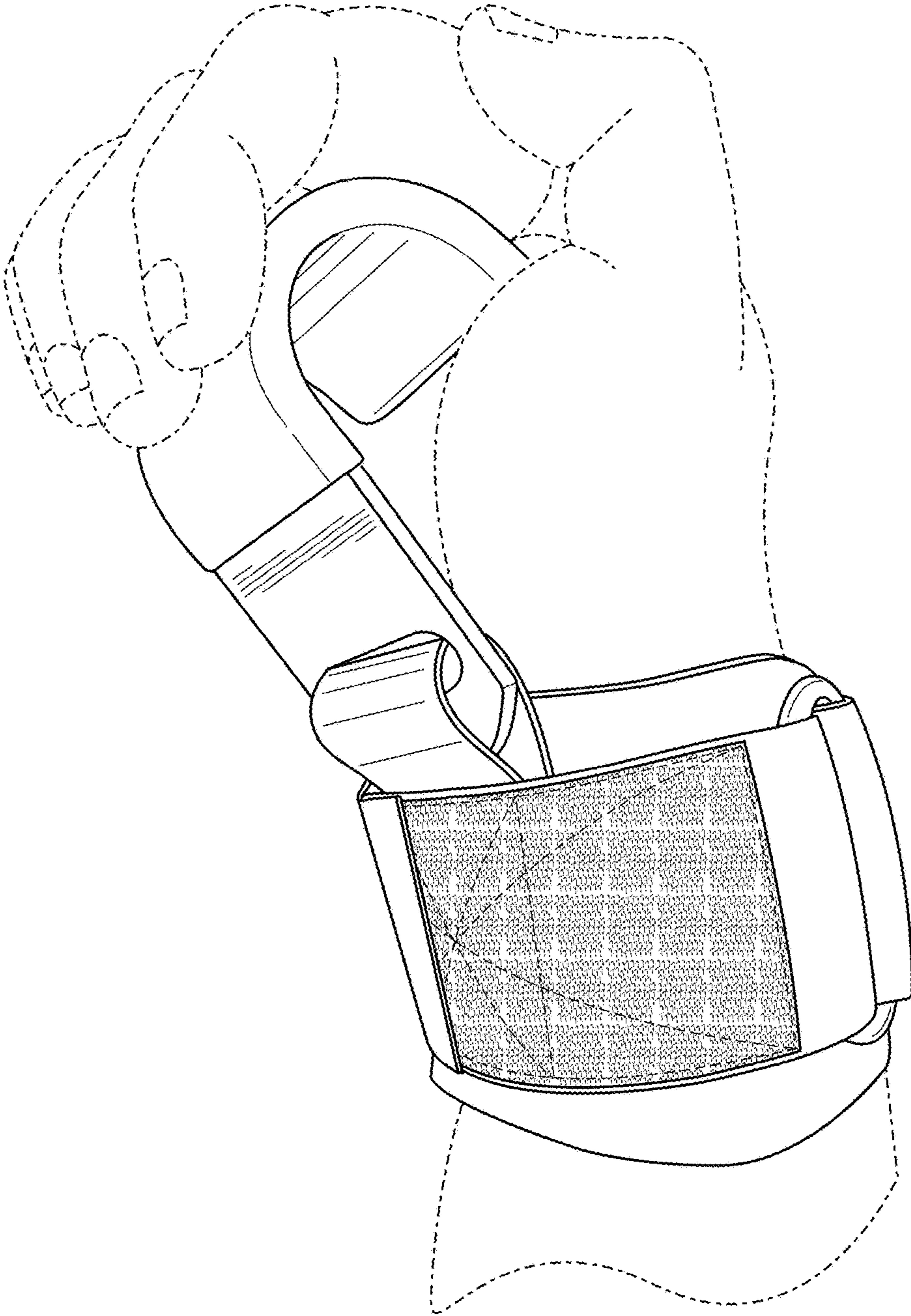


FIG. 7