



US00D813956S

(12) **United States Design Patent** (10) **Patent No.:** **US D813,956 S**
McConville et al. (45) **Date of Patent:** **** Mar. 27, 2018**

(54) **FLYING WING**
(71) Applicant: **HORIZON HOBBY, LLC**,
Champaign, IL (US)
(72) Inventors: **Michael McConville**, Champaign, IL
(US); **George Hicks**, Champaign, IL
(US)
(73) Assignee: **Horizon Hobby, LLC**, Champaign, IL
(US)
(**) Term: **15 Years**

D532,742 S * 11/2006 Pan D12/319
D559,761 S * 1/2008 Au D12/319
D559,762 S * 1/2008 Au D12/319
D573,939 S * 7/2008 Las Heras D12/319
D583,295 S * 12/2008 Au D12/343
D588,519 S * 3/2009 Westra D12/319
D597,472 S * 8/2009 Cazals D12/319
D610,066 S * 2/2010 Au D12/345
D616,352 S * 5/2010 Schafroth D12/319
D616,804 S * 6/2010 Manley D12/319
D616,805 S * 6/2010 Zha D12/343
D620,392 S * 7/2010 Rodriguez D12/3
D625,679 S * 10/2010 Stinemetze D12/319

(Continued)

(21) Appl. No.: **29/582,464**
(22) Filed: **Oct. 27, 2016**
(51) **LOC (11) Cl.** **21-01**
(52) **U.S. Cl.**
USPC **D21/447**
(58) **Field of Classification Search**
USPC D12/3, 16.1, 319-345; D21/436-455
CPC B64C 39/024; B64C 2201/108
See application file for complete search history.

OTHER PUBLICATIONS

Opterra by Horizon Hobby dated Dec. 5, 2016. found online [Nov. 6, 2017] <https://www.horizonhobby.com/product/airplanes/airplanes-14501--1/bind-n-fly/opterra-2m-wing-bnf-basic-pef111150>.*

(Continued)

Primary Examiner — Robert M. Spear
Assistant Examiner — Marissa J Cash
(74) *Attorney, Agent, or Firm* — Baker Botts L.L.P.

(56) **References Cited**
U.S. PATENT DOCUMENTS

D137,661 S * 4/1944 Sheffield 244/101
D169,962 S * 7/1953 Burnelli D12/333
D219,042 S * 10/1970 King D21/448
D220,983 S * 6/1971 Webb 244/155 R
D230,717 S * 3/1974 Smith D12/341
D277,976 S * 3/1985 Holloway D12/16.1
D337,751 S * 7/1993 Silva D12/324
D363,696 S * 10/1995 Kroo D12/331
D367,253 S * 2/1996 Albion D12/326
D371,536 S * 7/1996 Jones D12/333
D475,340 S * 6/2003 Arata D12/319
D499,689 S * 12/2004 Han D12/319
D500,730 S * 1/2005 Bye D12/319
D501,178 S * 1/2005 Han D12/319
D504,654 S * 5/2005 Graham D12/319
D508,013 S * 8/2005 Rihn D12/319

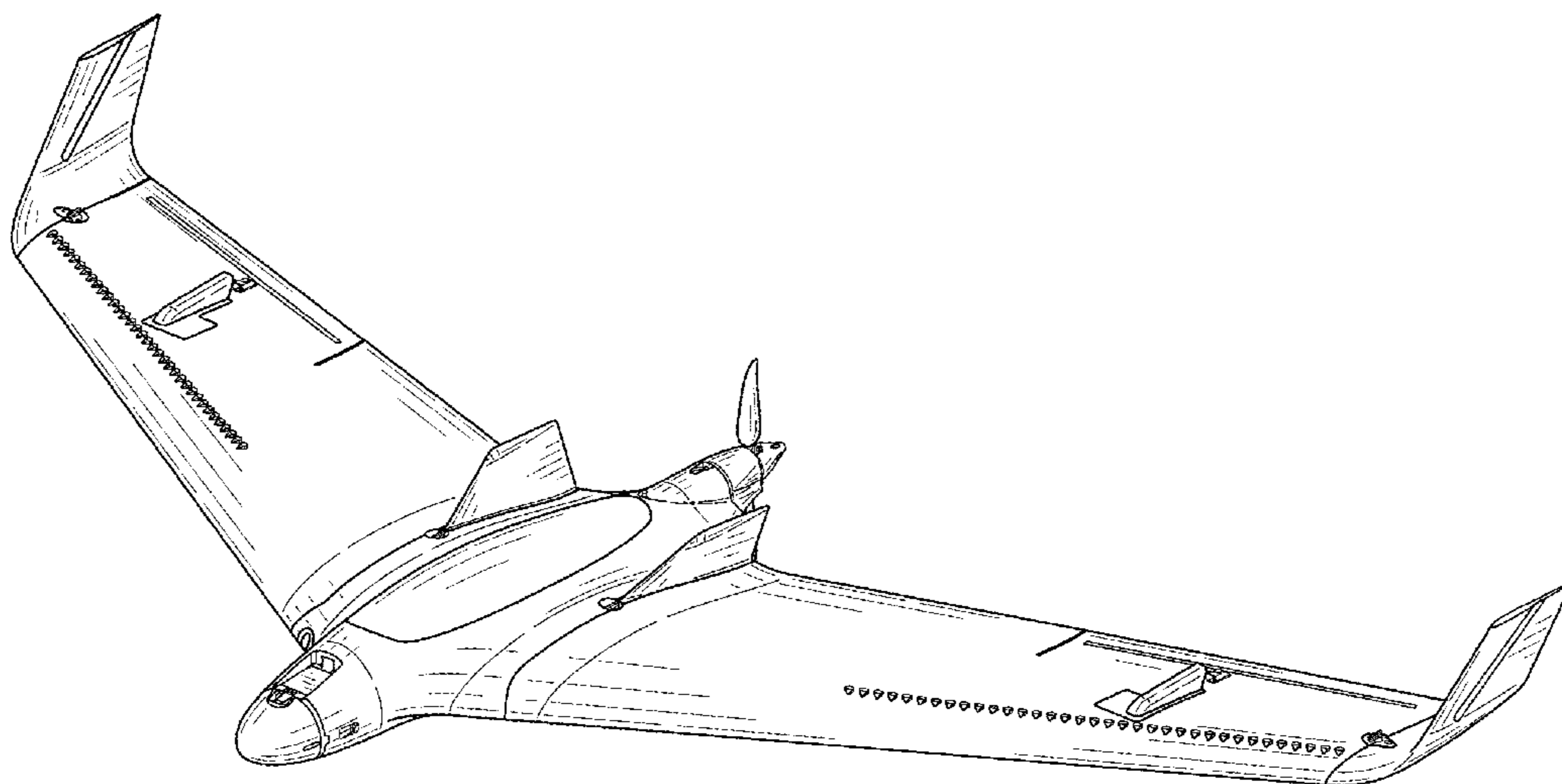
(57) **CLAIM**

The ornamental design for a flying wing, as shown and described.

DESCRIPTION

FIG. 1 is a perspective view of a flying wing, according to my new design;
FIG. 2 is a front view thereof;
FIG. 3 is a rear view thereof;
FIG. 4 is a right side view thereof;
FIG. 5 is a left side view thereof;
FIG. 6 is a top view thereof; and,
FIG. 7 is a bottom view thereof.

1 Claim, 5 Drawing Sheets



(56)

References Cited

U.S. PATENT DOCUMENTS

D626,056	S	*	10/2010	Garreau	D12/326
D628,528	S	*	12/2010	Cabezas Carrasco	D12/319
D635,083	S	*	3/2011	DeLaurier	D12/319
D642,968	S	*	8/2011	Zhao	D12/344
D651,156	S	*	12/2011	Gundlach	D12/319
D665,331	S	*	8/2012	Sands	D12/319
D708,563	S	*	7/2014	Colten	D12/319
D717,227	S	*	11/2014	Herzberger	D12/324
D725,576	S	*	3/2015	Vickers	D12/3
D733,030	S	*	6/2015	Navarro-Machado	D12/319
D736,140	S	*	8/2015	Moller	D12/326
D738,438	S	*	9/2015	Cummings	D21/447
D739,807	S	*	9/2015	Strand	D12/324
D783,453	S	*	4/2017	Klick	D12/16.1
D787,983	S	*	5/2017	Fargeau	D12/16.1
D795,160	S	*	8/2017	Koppenwallner	D12/343
D795,784	S	*	8/2017	Guo	D12/328
D799,402	S	*	10/2017	Cummings	D12/327
2017/0190443	A1	*	7/2017	Fisher	B64F 1/005
2017/0305564	A1	*	10/2017	Pan	B64D 27/24

OTHER PUBLICATIONS

Detail View from bottom of Opterra by Horizon Hobby dated Dec. 5, 2016. found online [Nov. 6, 2017] <https://www.horizonhobby.com/product/airplanes/airplanes-14501--1/bind-n-fly/opterra-2m-wing-bnf-basic-p-ef111150>.*

* cited by examiner

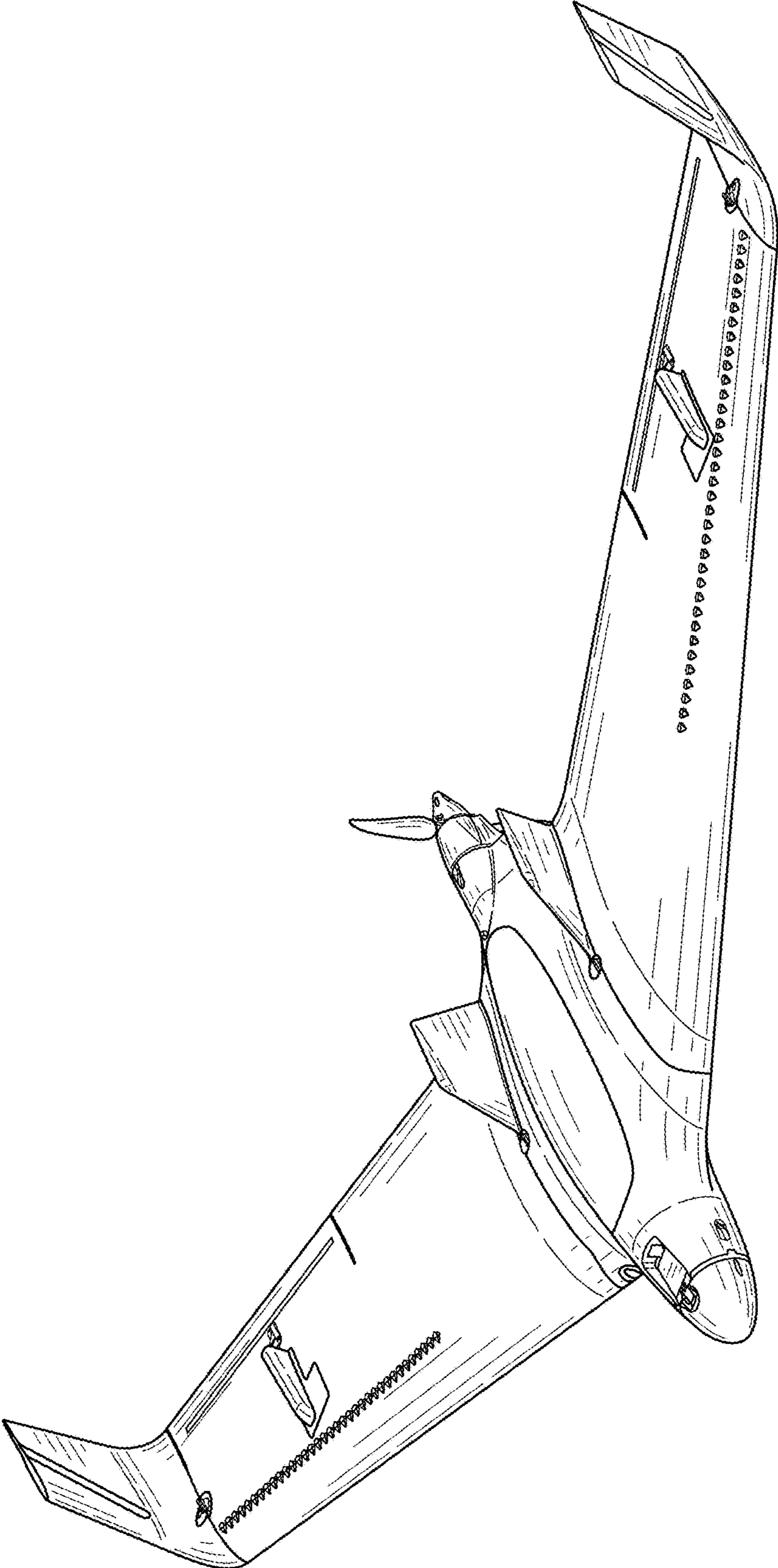


FIG. 1

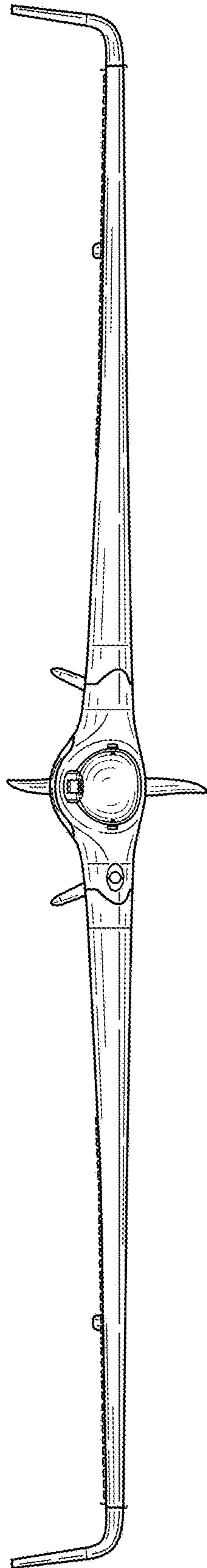


FIG. 2

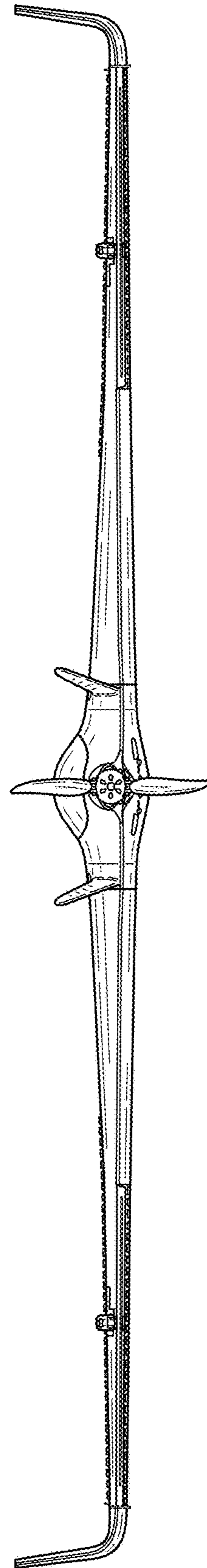


FIG. 3

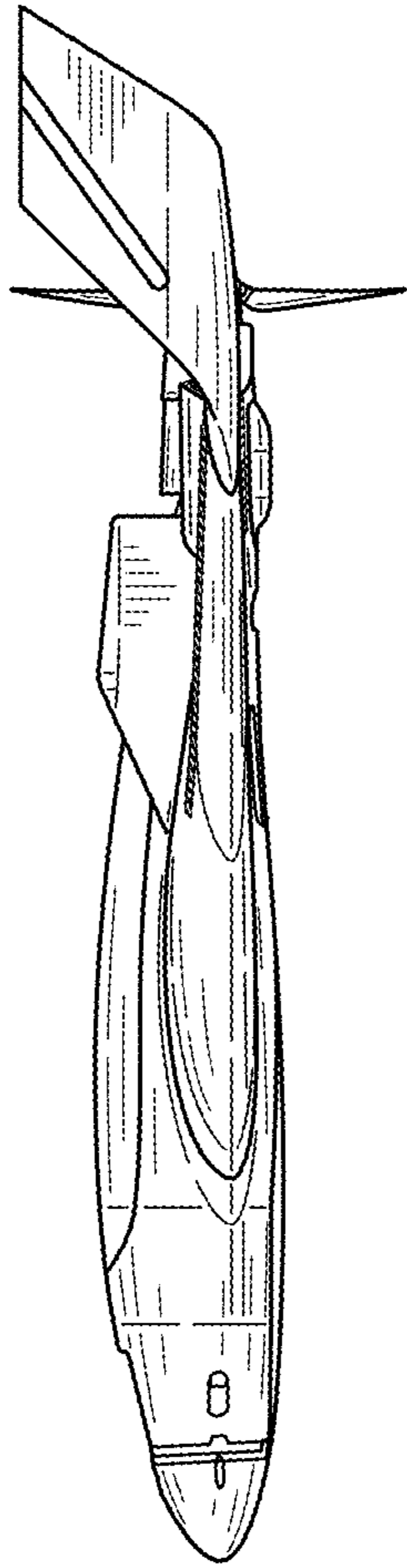


FIG. 4

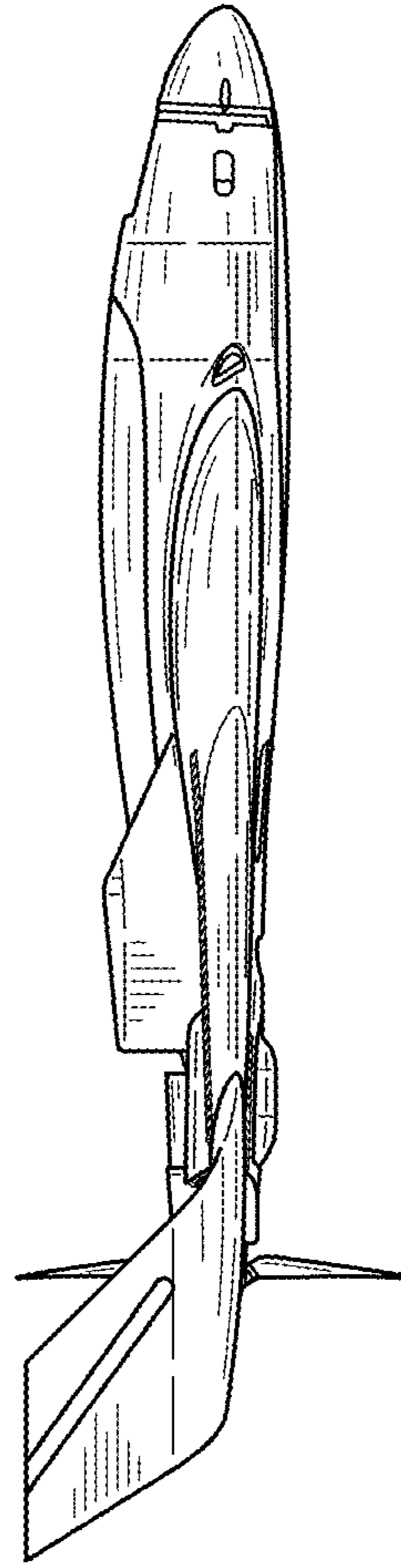


FIG. 5

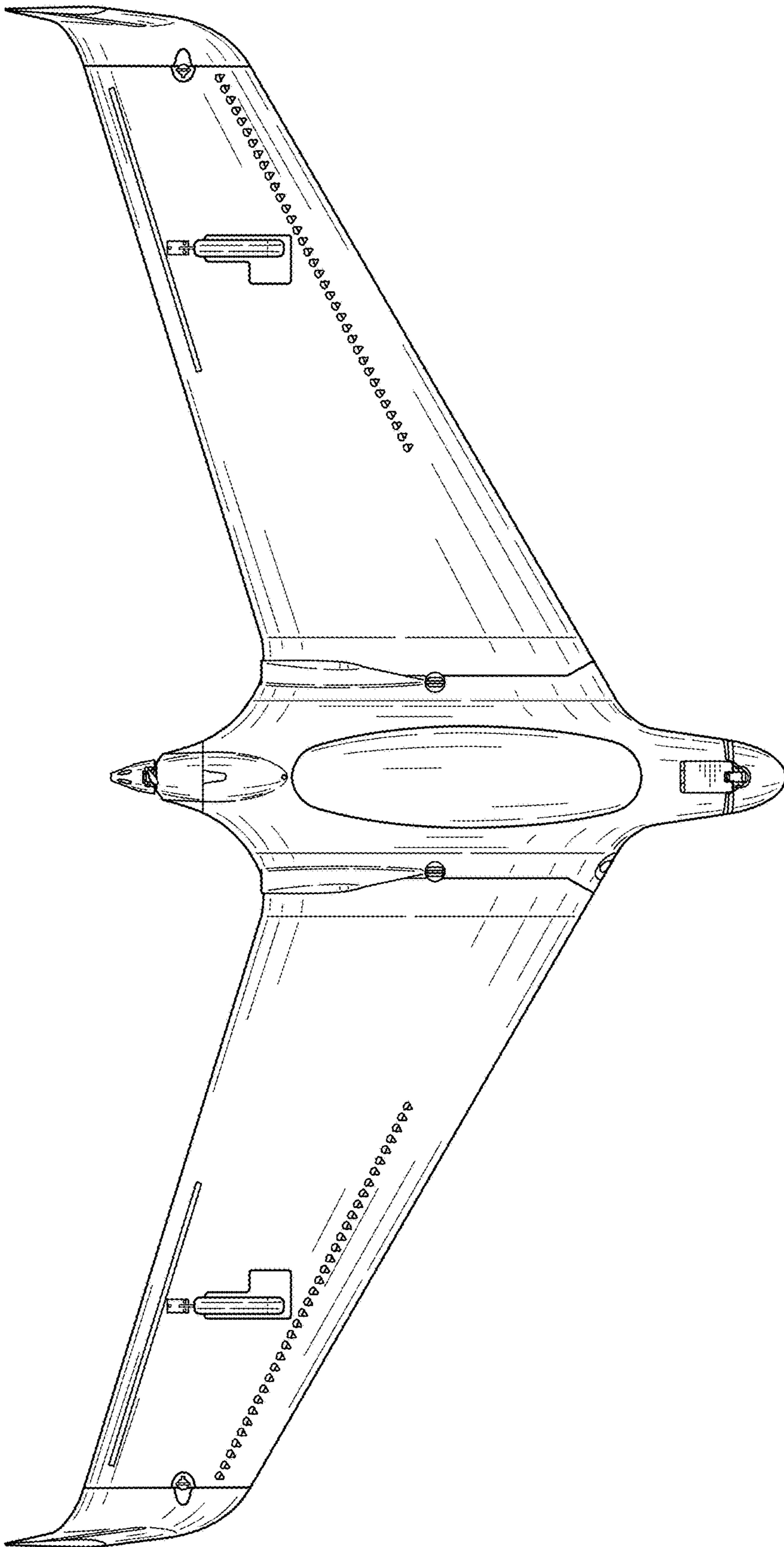


FIG. 6

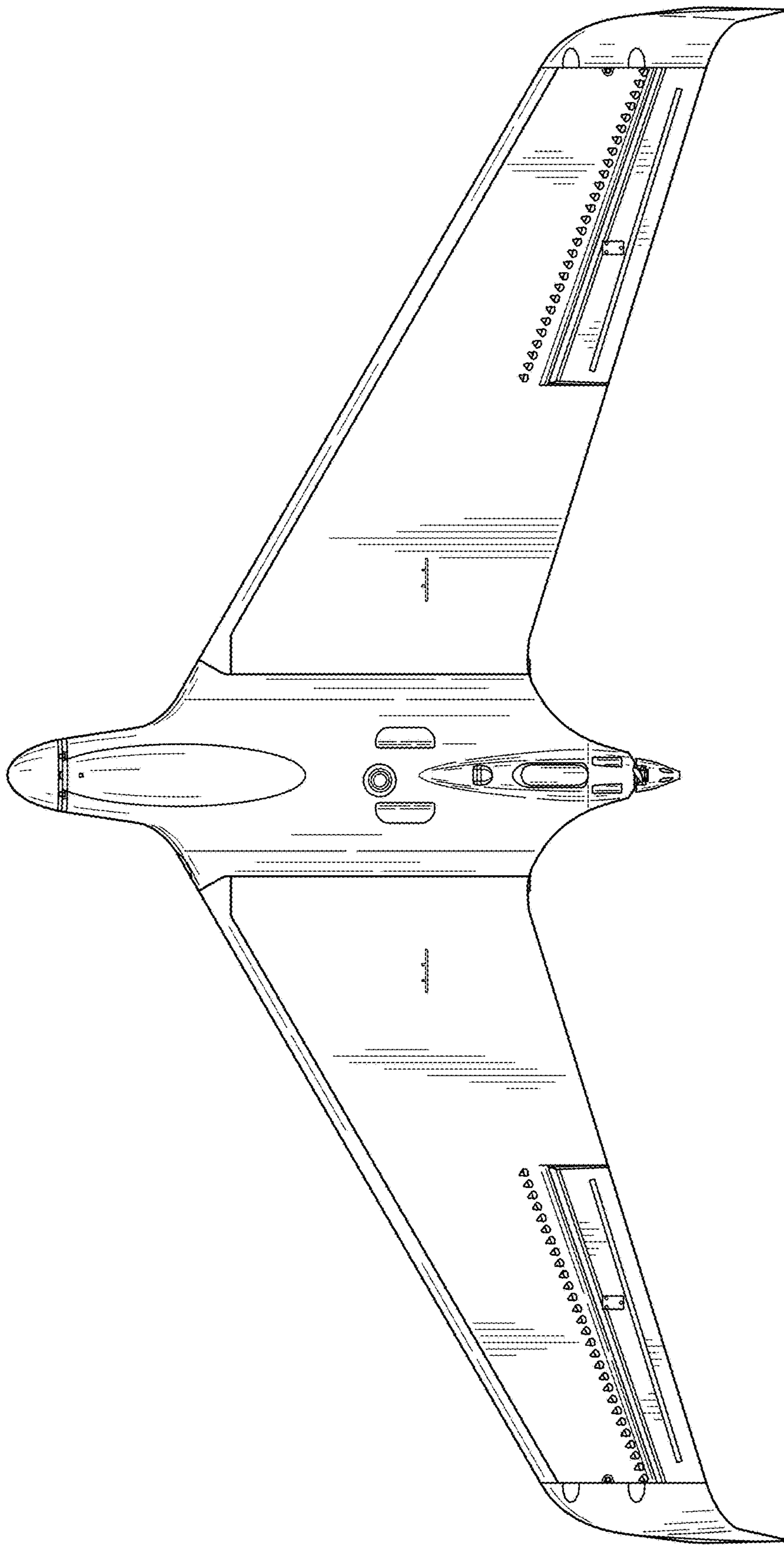


FIG. 7