



US00D813955S

(12) **United States Design Patent**
Henkin et al.

(10) **Patent No.:** **US D813,955 S**
(45) **Date of Patent:** **** Mar. 27, 2018**

- (54) **MAGNETIC TOY**
- (71) Applicant: **Gymworld Inc.**, Seoul (KR)
- (72) Inventors: **Roger Henry Henkin**, West Bloomfield, MI (US); **Sho Ubukata**, Nagoya (JP)
- (73) Assignee: **GYMWORLD INC.** (KR)
- (**) Term: **15 Years**
- (21) Appl. No.: **29/581,567**
- (22) Filed: **Oct. 20, 2016**

Related U.S. Application Data

- (62) Division of application No. 29/503,986, filed on Oct. 1, 2014, now Pat. No. Des. 771,752.
- (51) **LOC (11) Cl.** **21-01**
- (52) **U.S. Cl.**
USPC **D21/404**
- (58) **Field of Classification Search**
USPC D21/311-323, 398, 404, 478, 484-505;
D9/418; D6/314; D13/183; 446/92,
446/129-139
CPC A63H 33/04; A63H 33/046; A63F
2009/1033
See application file for complete search history.

References Cited

U.S. PATENT DOCUMENTS

D141,391 S	5/1945	Wilson	
3,585,735 A	6/1971	Miller	
D226,120 S *	1/1973	Ogsbury et al.	D21/491
3,998,004 A *	12/1976	Ehrlich	A63H 33/046 428/900
4,925,338 A	5/1990	Kaputsa	
D313,436 S *	1/1991	Erickson	D21/489
5,021,021 A	6/1991	Ballard	

5,183,430 A *	2/1993	Swann	A63H 33/04 446/104
5,620,325 A *	4/1997	Glick	A63H 33/04 434/258
D384,995 S	10/1997	Munir	(Continued)

FOREIGN PATENT DOCUMENTS

CA	2923882 A1 *	3/2015	A63H 33/046
DE	3910304 A1 *	10/1990	A63H 33/046
			(Continued)

OTHER PUBLICATIONS

“Metro Mags Clear Colors 60 Piece Set”, [Retrieved on Oct. 2, 2017]]. Retrieved from the internet:<URL: https://www.amazon.com/Metro-Mags-Clear-Colors-Piece/dp/B00A29T6F4/ref=pd_rhf_s> (6 pages) (Year: 2017).*

(Continued)

Primary Examiner — Catherine A Tuttle
(74) *Attorney, Agent, or Firm* — Ballard Spahr LLP

(57) **CLAIM**

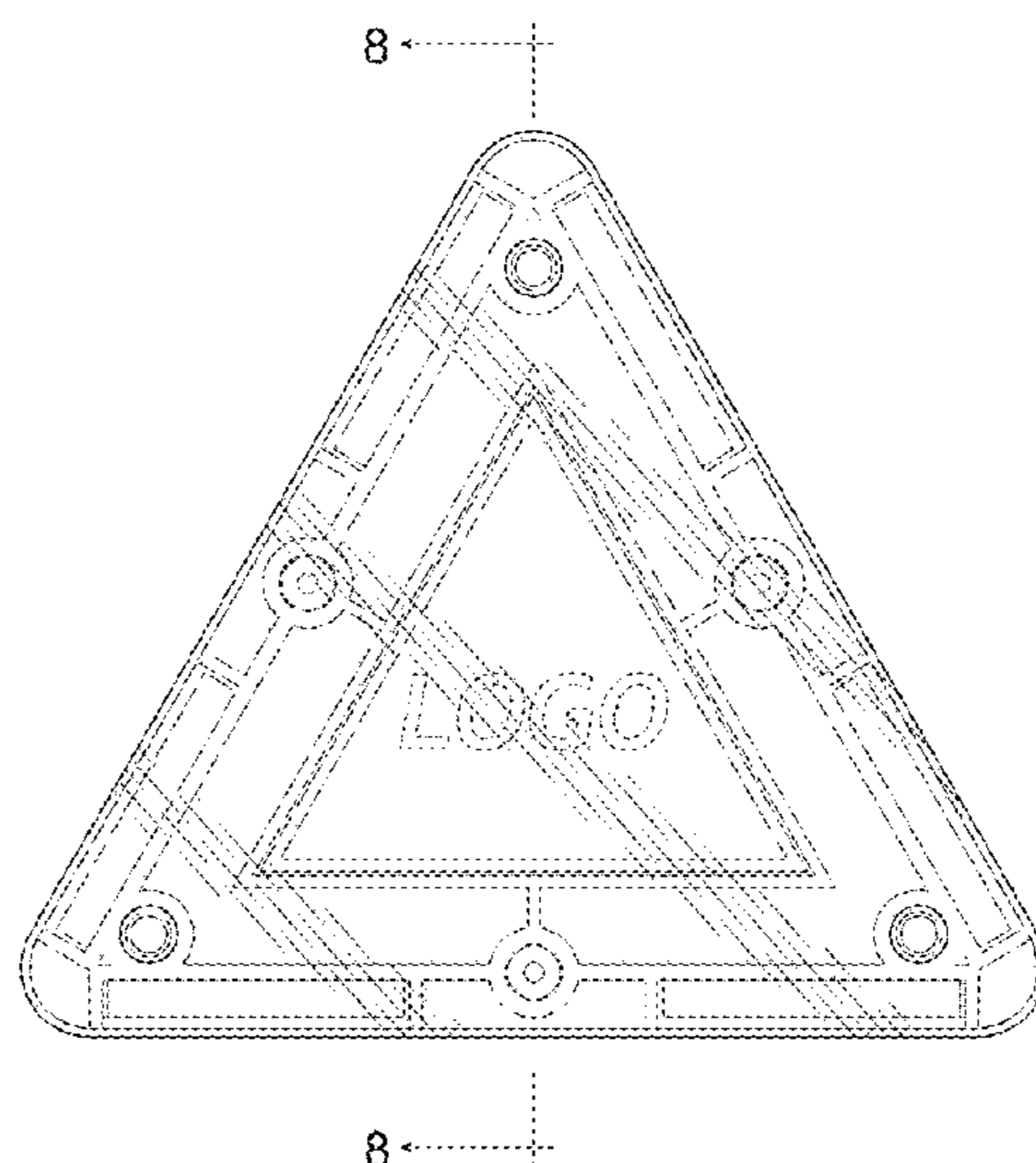
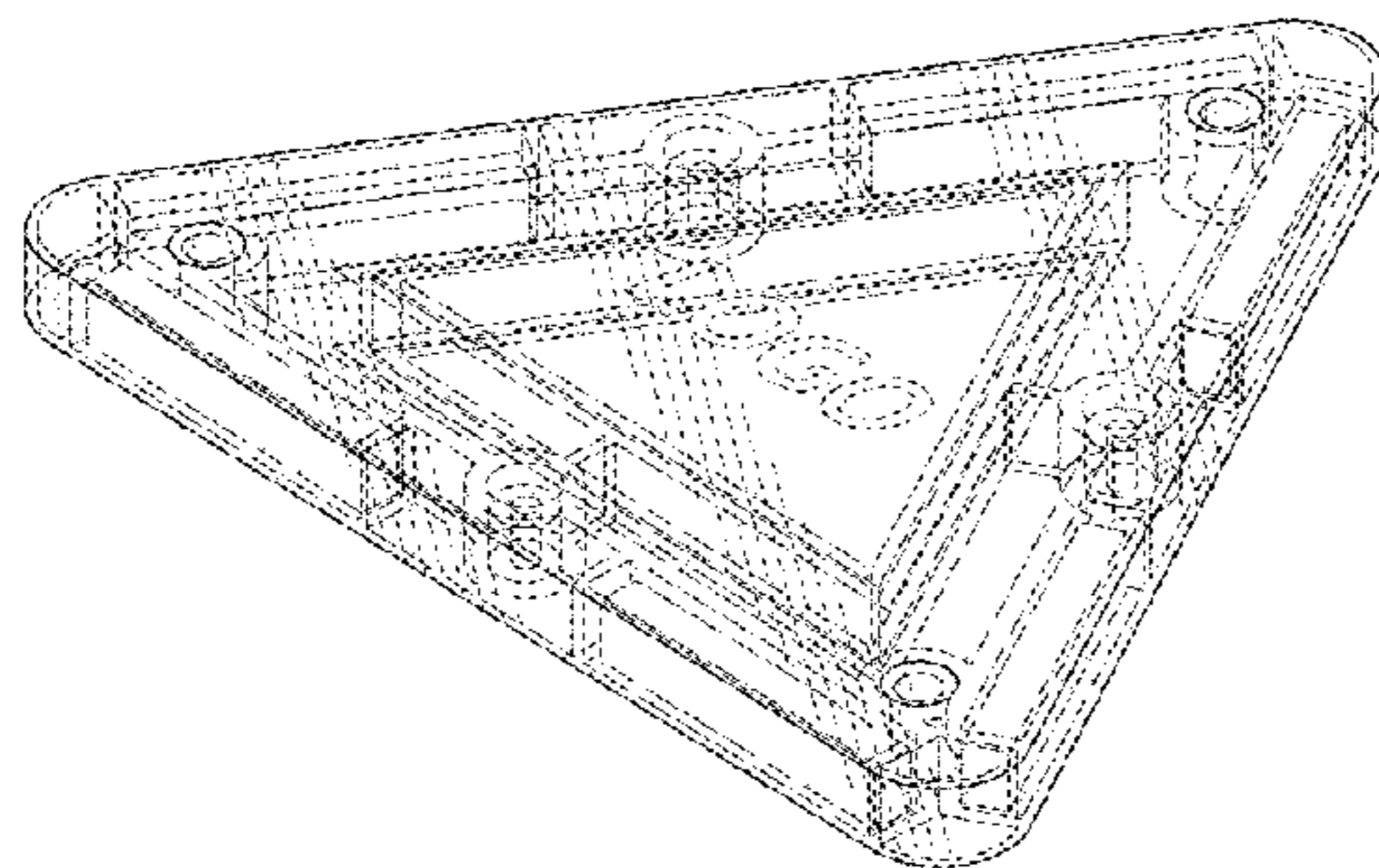
The ornamental design for a magnetic toy, as shown and described.

DESCRIPTION

FIG. 1 is a front perspective view of an embodiment of a magnetic toy in accordance with the present design; FIG. 2 is a front view of the magnetic toy shown in FIG. 1; FIG. 3 is a rear view thereof; FIGS. 4-7 are side views thereof; and, FIG. 8 is a cross sectional view taken along line 8-8 of FIG. 2.

The broken lines showing the indicia “LOGO” are for illustrative purposes only and form no part of the claimed design.

1 Claim, 4 Drawing Sheets



(56)

References Cited

U.S. PATENT DOCUMENTS

6,431,936	B1 *	8/2002	Kiribuchi	A63H 33/046 446/129
D503,954	S	4/2005	Balanchi	
D513,628	S	1/2006	Andersen	
7,154,363	B2 *	12/2006	Hunts	H01F 7/0242 24/303
D614,250	S	4/2010	Frederiksen	
D631,104	S	1/2011	With et al.	
D632,346	S	2/2011	Hardstaff	
D693,320	S	11/2013	Zelazowski	
8,668,542	B2 *	3/2014	Bruzgul	A63H 23/10 114/264
9,314,707	B2 *	4/2016	Ornstein	A63H 33/046
D771,752	S	11/2016	Henkin et al.	
2006/0240737	A1 *	10/2006	Yoon	A63H 33/046 446/92
2010/0197148	A1 *	8/2010	Rudisill	H01R 11/30 439/40
2013/0267145	A1 *	10/2013	Rosen	A63H 33/046 446/92
2014/0179194	A1	6/2014	Fein et al.	
2014/0227934	A1 *	8/2014	Rudisill	A63H 33/046 446/92
2014/0302741	A1 *	10/2014	Whittaker	A63H 33/046 446/92
2015/0072587	A1 *	3/2015	Ornstein	A63H 33/046 446/92
2015/0104993	A1 *	4/2015	Kennedy	A63H 33/10 446/108
2015/0231521	A1 *	8/2015	Peterson	A63H 33/046 446/92
2016/0184727	A1 *	6/2016	Ornstein	A63H 33/046 446/92
2017/0065899	A1 *	3/2017	Moskowitz	A63H 33/046

FOREIGN PATENT DOCUMENTS

EP	2055363	A1 *	5/2009	A63H 33/008
EP	2745899	A1 *	6/2014	A63H 33/046
JP	2002-159761	A	6/2002		
JP	2003-190663	A	7/2003		

OTHER PUBLICATIONS

U.S. Appl. No. 29/581,576, filed Oct. 20, 2016, Henkin et al. (Gymworld, Inc.).

U.S. Appl. No. 29/581,583, filed Oct. 20, 2016, Henkin et al. (Gymworld, Inc.).

Restriction Requirement was issued on Mar. 17, 2017 by the U.S. Patent and Trademark Office for Design U.S. Appl. No. 29/581,576, filed Oct. 20, 2016 (Inventor—Henkin et al.; Applicant—Gymworld, Inc.) (5 pages).

Response to Restriction Requirement was filed on Jul. 17, 2017 by the U.S. Patent and Trademark Office for Design U.S. Appl. No. 29/581,576, filed Oct. 20, 2016 (Inventor—Henkin et al.; Applicant—Gymworld, Inc.) (7 pages).

Restriction Requirement was issued on Mar. 17, 2017 by the U.S. Patent and Trademark Office for Design U.S. Appl. No. 29/581,583, filed Oct. 20, 2016 (Inventor—Henkin et al.; Applicant-;) (5 pages).

Response to Restriction Requirement filed on Jul. 17, 2017 with the U.S. Patent and Trademark Office for Design U.S. Appl. No. 29/581,583, filed Oct. 20, 2016 (Inventor—Henkin et al.; Applicant-;) (7 pages).

Notice of Allowance issued on Jul. 27, 2017 by the U.S. Patent and Trademark Office for Design U.S. Appl. No. 29/581,583, filed Oct. 20, 2016 (Inventor—Henkin et al.; Applicant-;) (9 pages).

Restriction Requirement issued on Jan. 15, 2016 by the U.S. Patent and Trademark Office for Design U.S. Appl. No. 29/503,986, filed Oct. 1, 2014 and issued as D7771,752 on Nov. 15, 2016 (Inventor—Henkin et al.; Applicant—RUX International Co., Ltd.) (5 pages).

Response to Restriction Requirement and Request for continued Examination filed on Jun. 15, 2016 with the U.S. Patent and Trademark Office for Design U.S. Appl. No. 29/503,986, filed Oct. 1, 2014 and issued as D771752 on Nov. 15, 2016 (Inventor—Henkin et al.; Applicant—RUX International Co, Ltd.) (6 pages).

Notice of Allowance issued on Jul. 8, 2016 by the U.S. Patent and Trademark Office for Design U.S. Appl. No. 29/503,986, filed Oct. 1, 2014 and issued as D771,752 on Nov. 15, 2016 (Inventor—Henkin et al.; Applicant—RUX International Co., Ltd.) (8 pages).

Issue Notification issued on Oct. 26, 2016 by the U.S. Patent and Trademark Office for Design U.S. Appl. No. 29/503,986, filed Oct. 1, 2014 and issued as D771,752 on Nov. 15, 2016 (Inventor—Henkin et al.; Applicant—RUX International Co., Ltd.) (1 page).

Preliminary Amendment filed on Oct. 20, 2016 with U.S. Patent and Trademark Office for U.S. Design Patent No. 29/581,576, which was filed on Oct. 20, 2016 (Inventor-Henkin et al.; Applicant-Gymworld, Inc.)(12 pages).

Non-Final Office Action dated Aug. 24, 2017 by the U.S. Patent and Trademark Office for Patent Application No. 29/581,576, which was filed on Oct. 20, 2017 (Inventor-Henkin et al.; Applicant-Gymworld, Inc.)(7 pages).

Preliminary Amendment filed on Oct. 20, 2016 with U.S. Patent and Trademark Office for U.S. Design Patent No. 29/581,583, which was filed on Oct. 20, 2016 (Inventor-Henkin et al.; Applicant-Gymworld, Inc.)(12 pages).

* cited by examiner

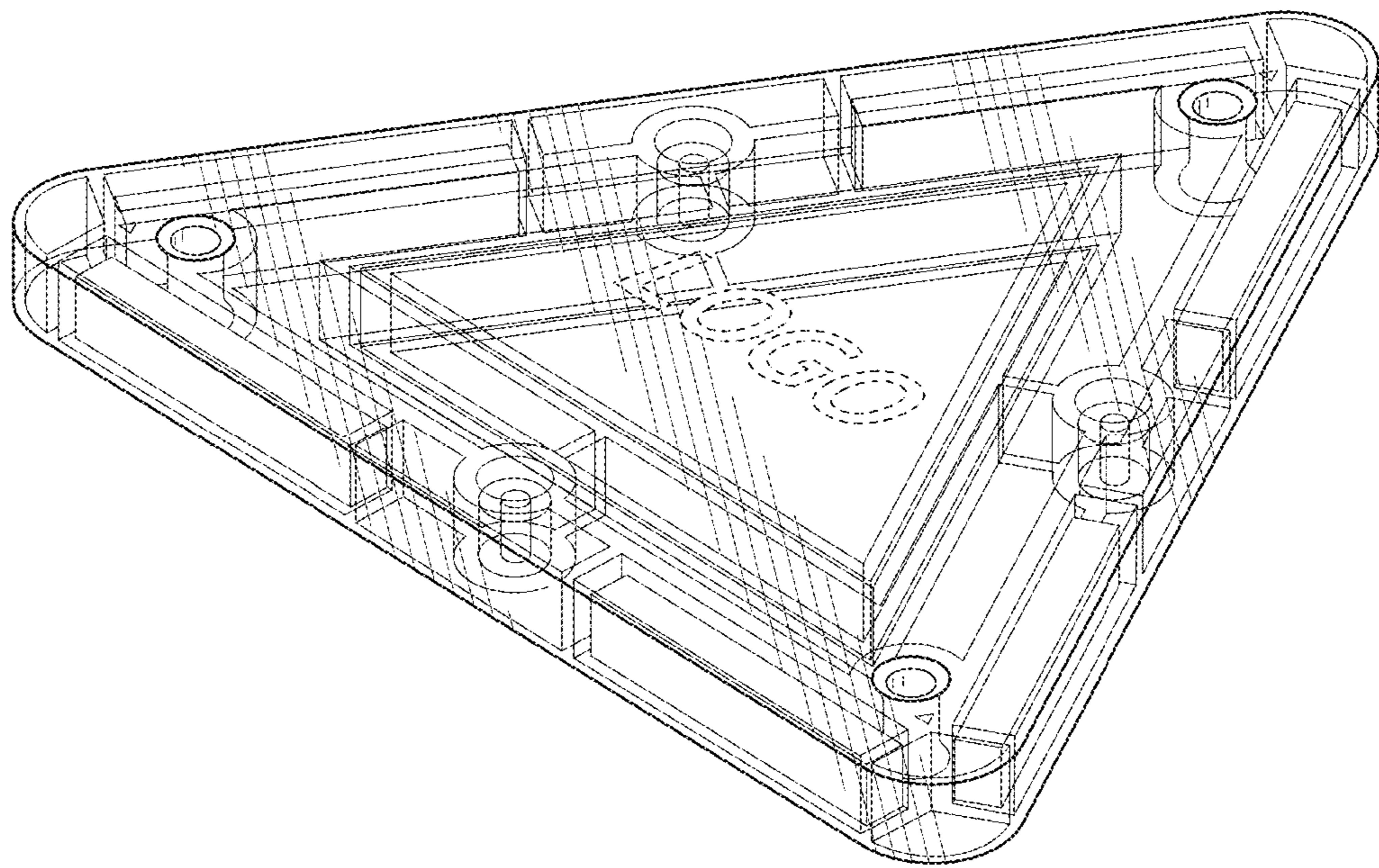


FIG. 1

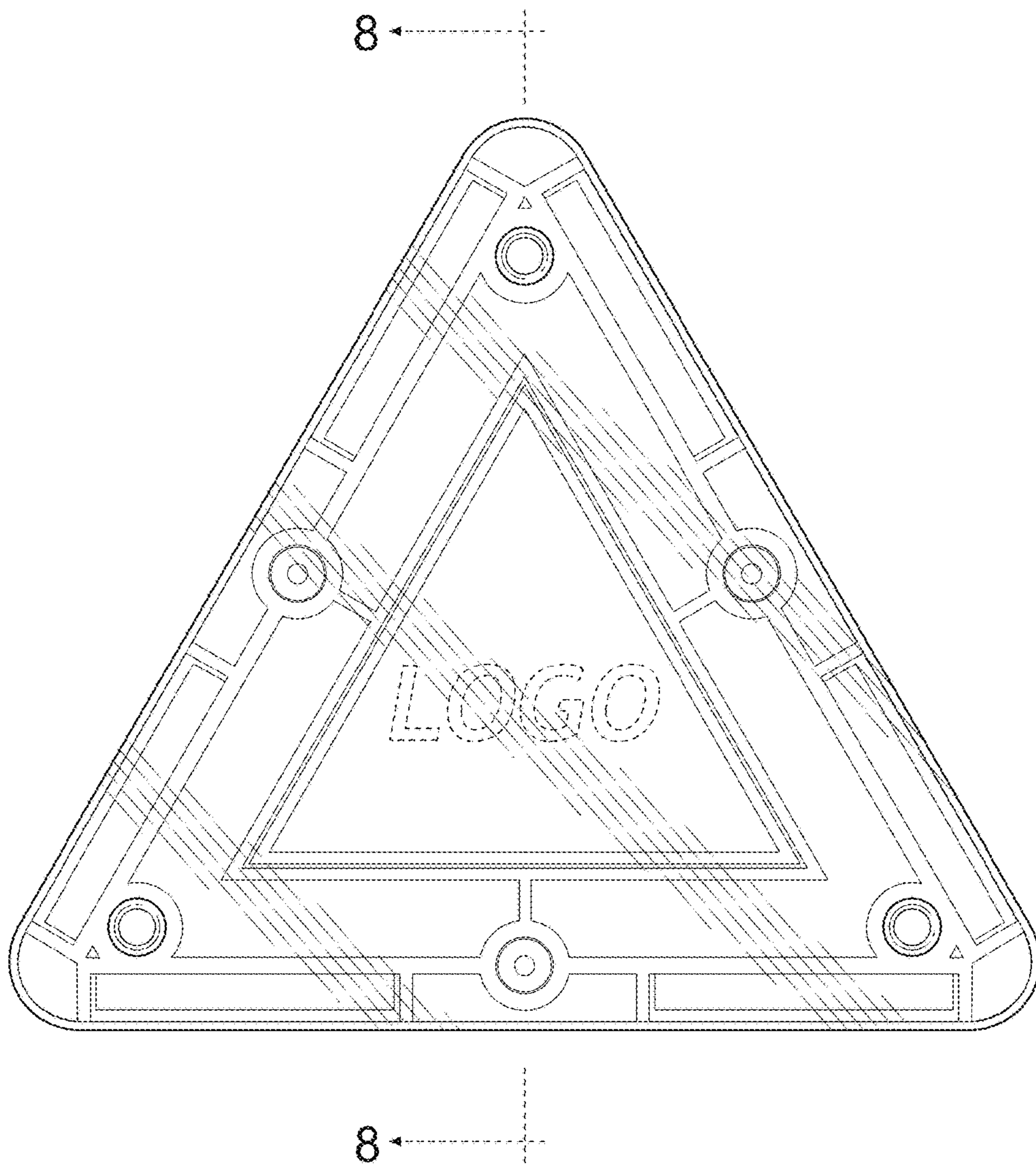


FIG. 2

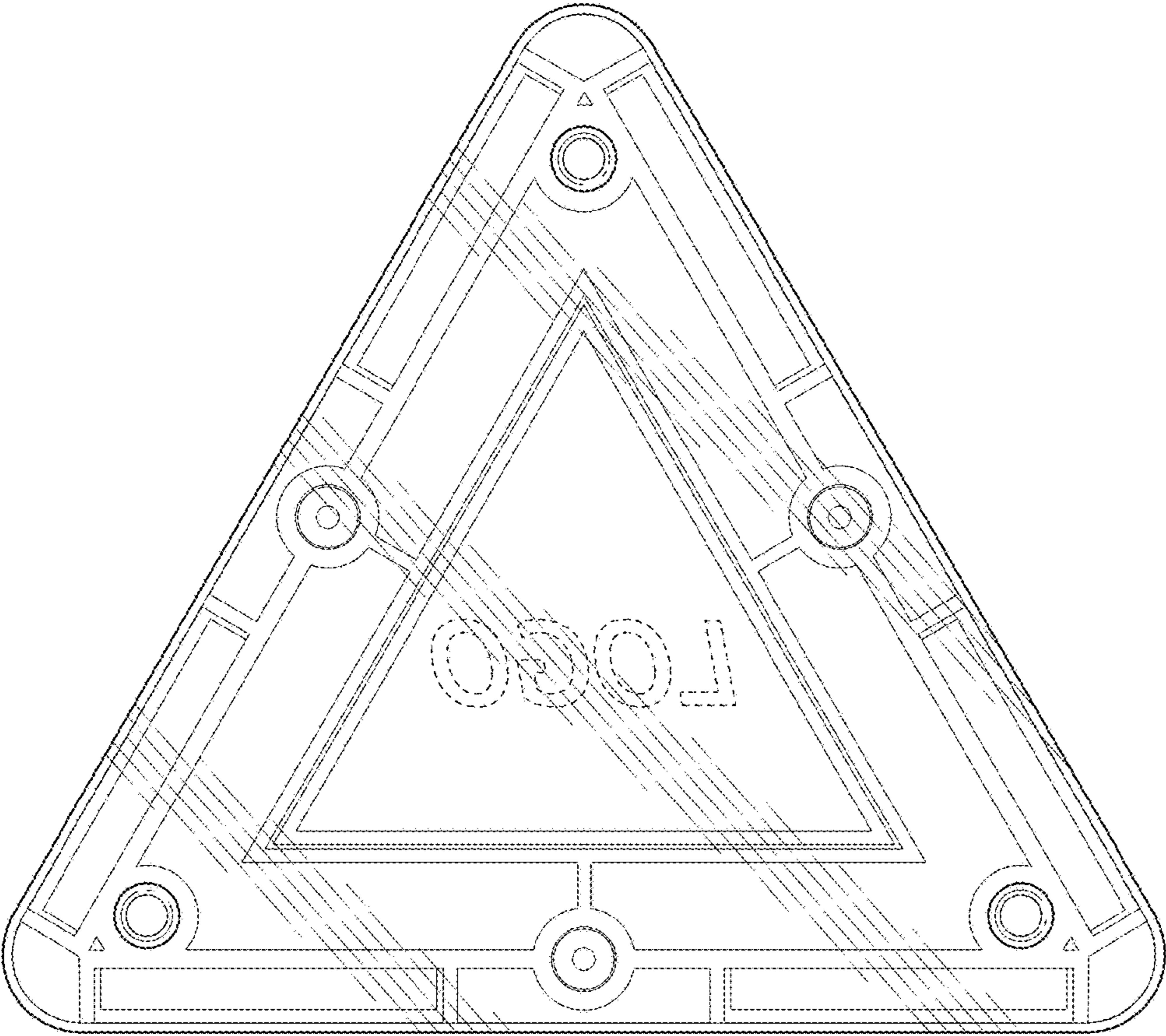


FIG. 3

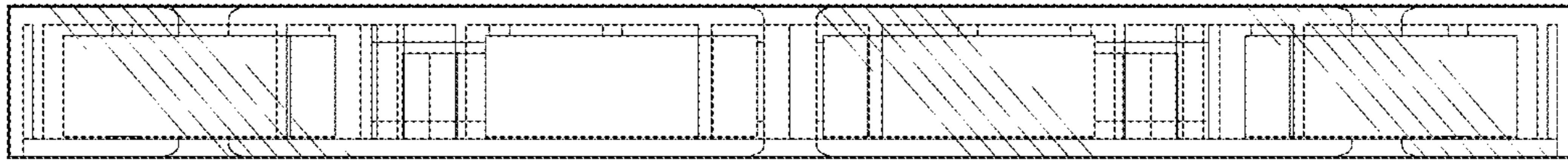


FIG. 4

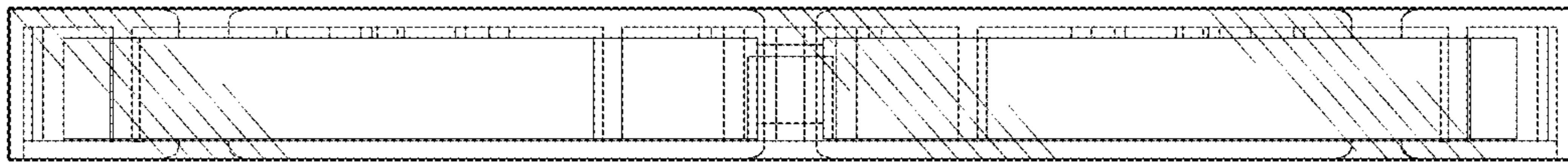


FIG. 5

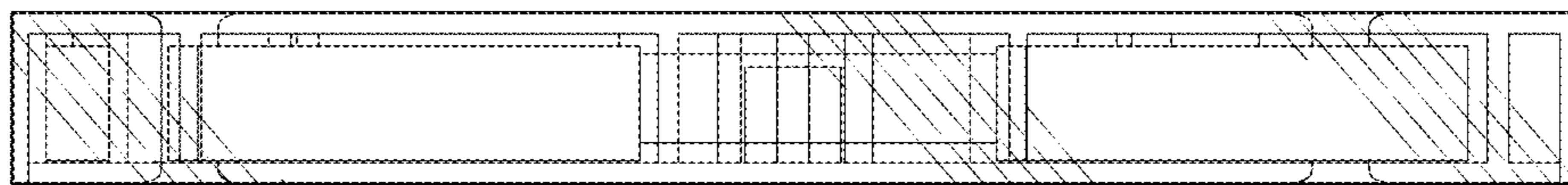


FIG. 6

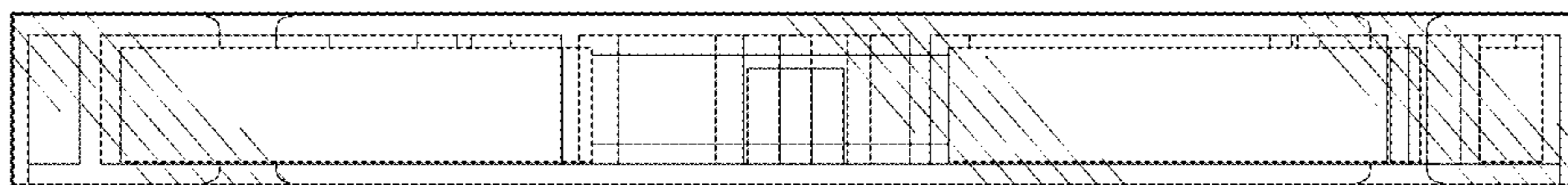


FIG. 7

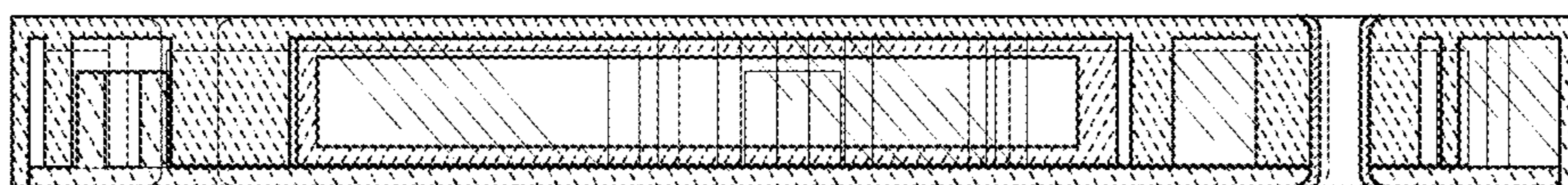


FIG. 8