



US00D813952S

(12) **United States Design Patent**
Siepmann

(10) **Patent No.:** **US D813,952 S**
(45) **Date of Patent:** **** Mar. 27, 2018**

(54) **CONVERTIBLE TIERED GAME SYSTEM**

(71) Applicant: **Scott Siepmann**, Scottsdale, AZ (US)

(72) Inventor: **Scott Siepmann**, Scottsdale, AZ (US)

(**) Term: **15 Years**

(21) Appl. No.: **29/573,511**

(22) Filed: **Aug. 5, 2016**

Related U.S. Application Data

(63) Continuation-in-part of application No. 29/563,589, filed on May 5, 2016, which is a continuation-in-part (Continued)

(51) **LOC (11) Cl.** **21-01**

(52) **U.S. Cl.**
USPC **D21/336**

(58) **Field of Classification Search**

USPC D21/336, 337, 338, 341, 342, 310, 311, D21/300, 362, 385, 386, 388, 389, 393, D21/398, 399, 401, 404, 405, 455, 456, D21/468, 470, 471, 473, 474, 475, 476, D21/478, 479, 483-488, 506, 507, 510, D21/589, 789, 790, 796, 811, 812, 821, D21/826, 830; 273/336, 337, 376, 398, 273/401, 407, 110, 112, 113, 118 R, 273/123 R, 236, 241, 248, 249, 280, 289, 273/290, 153 R-156, 153 P, 153 S, 447, 273/449, 450, 459, 142 HA; 446/69, 71, (Continued)

(56) **References Cited**

U.S. PATENT DOCUMENTS

1,153,062 A * 9/1915 Gourlay A47F 7/145
211/132.1
D89,285 S * 2/1933 Migney D19/25
(Continued)

Primary Examiner — Susan Moon Lee

(74) *Attorney, Agent, or Firm* — Michelle L. Gross, P.C.

(57) **CLAIM**

The ornamental design for a convertible tiered game system, as shown and described.

DESCRIPTION

FIG. 1 is a perspective view of an embodiment of an ornamental design for a convertible tiered game system; FIG. 2 is a front elevational view of the convertible tiered game system, the back, right, and left elevational views being identical in shape and appearance;

FIG. 3 is a top view of the convertible tiered game system; FIG. 4 is a bottom view of the convertible tiered game system;

FIG. 5 is an exploded view of the convertible tiered game system components that are configured to rest on a tiered base of the convertible tiered game system;

FIG. 6 is a perspective view of a first alternative embodiment of the tiered convertible tiered game system;

FIG. 7 is a front elevational view of the first alternative embodiment of the convertible tiered game system, the back, right, and left elevational views being identical in shape and appearance;

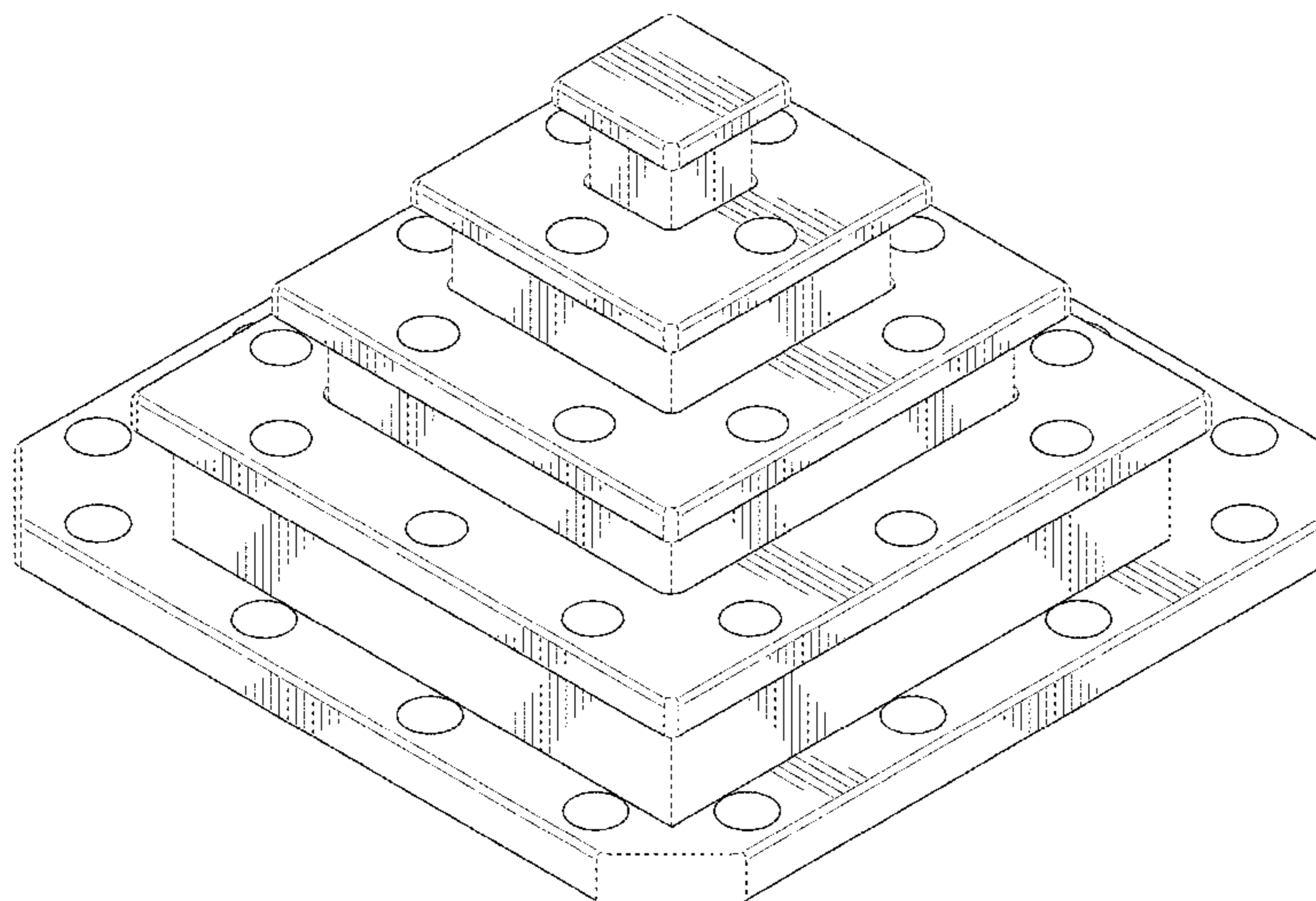
FIG. 8 is a top view of the first alternative embodiment of the convertible tiered game system;

FIG. 9 is a bottom view of the first alternative embodiment of the convertible tiered game system; and,

FIG. 10 is an exploded view of the first alternative embodiment of the convertible tiered game system components that are configured to rest on a tiered base of the first alternative embodiment of the convertible tiered game system.

Broken lines and unshaded portions contained within broken lines depict unclaimed portions of the tiered beverage pong game system.

1 Claim, 10 Drawing Sheets



Related U.S. Application Data

of application No. 15/147,840, filed on May 5, 2016, now Pat. No. 9,808,689.

(58) **Field of Classification Search**

USPC 446/75, 76, 81, 85, 87, 117, 118, 124, 446/125, 127, 236, 248, 249, 251, 252, 446/265, 396, 476, 486, 487, 489, 491, 446/901; 434/208, 259, 433; D7/610, D7/558; 108/94, 101, 92, 42
 CPC A63F 3/00003; A63F 3/00082; A63F 3/00088; A63F 3/00173; A63F 3/00214; A63F 3/00261; A63F 3/00529; A63F 3/00533; A63F 3/00574; A63F 3/00634; A63F 2003/00217; A63F 2003/0022; A63F 2003/00223; A63F 2003/00277; A63F 2003/0028; A63F 2003/0035; A63F 2003/004; A63F 2003/00403; A63F 2003/00406; A63F 2003/00514; A63F 2003/00599; A63F 2003/00637; A63F 7/0023; A63F 7/0076; A63F 7/02; A63F 7/36; A63F 7/3622; A63F 2007/3655; A63F 2007/3659; A63F 2007/3666; A63F 9/001; A63F 9/0073; A63F 9/0613; A63F 9/08; A63F 9/0803; A63F 9/0811; A63F 2009/0846; A63F 2009/0884; A63F 2009/1212; A63F 2009/1216; A63F 2009/1224; A63F 2009/1228; A63F 2009/1236; A63F 2009/1248; A63F 2009/1292; A63F 2009/1296; A63F 2009/0012; A63F 2009/002; A63F 2009/0033; A63F 2009/0035; A63F 2009/0049; A63F 2009/007; A63F 2009/0073; A63F 2009/0075; A63F 2009/0815; A63H 15/06; A63H 33/04; A63H 33/046; A63H 33/06; A63H 33/065; A63H 33/00; A63B 43/00; A63B 67/066; A63B 67/06; A63B 71/0036; A63B 2067/061

See application file for complete search history.

(56) **References Cited**

U.S. PATENT DOCUMENTS

D104,775 S * 6/1937 Grossman 273/241
 D121,485 S * 7/1940 Spanel 211/74
 D131,453 S * 3/1942 Avila D6/680.2
 2,281,849 A * 5/1942 McCoppin A47G 23/025
 101/407.1
 D142,322 S * 8/1945 Judd D11/118
 2,649,969 A * 8/1953 Andrews A47F 7/283
 211/74
 D172,246 S * 5/1954 Payne D21/341
 2,697,294 A * 12/1954 Zenker G09F 19/10
 40/539
 3,169,496 A * 2/1965 Muggli A47G 23/08
 108/101
 D208,283 S * 8/1967 Cranfill D6/677
 D211,295 S * 6/1968 Wolf D19/85
 3,456,806 A * 7/1969 Borston A45D 6/00
 211/60.1
 D215,103 S * 9/1969 Stevens 273/241
 3,727,771 A * 4/1973 Hoffman B25H 3/003
 206/379
 D227,585 S * 7/1973 Welbourn 273/281
 D229,997 S * 1/1974 Hoffman D6/677.3
 3,809,407 A * 5/1974 Quigley A63F 9/12
 273/241

3,843,220 A * 10/1974 Snider B65D 21/0235
 312/204
 D244,323 S * 5/1977 Stone 242/139
 D259,141 S * 5/1981 Oliver D11/147
 D261,781 S * 11/1981 Keltner D21/336
 D275,022 S * 8/1984 Simpson D21/471
 D279,385 S * 6/1985 Lieberman D19/77
 4,666,162 A * 5/1987 Campbell A63F 3/0457
 273/153 P
 D296,568 S * 7/1988 Nadeau D19/77
 4,757,956 A * 7/1988 McGuire B65H 49/38
 211/132.1
 D298,264 S * 10/1988 Wang D19/85
 D311,217 S * 10/1990 Meyers D21/336
 4,972,947 A * 11/1990 McCarthy B43M 99/006
 206/214
 5,004,245 A * 4/1991 Schumacher A63F 3/0023
 273/241
 D323,446 S * 1/1992 Morse D6/680.1
 5,085,440 A * 2/1992 Van Dam A63F 3/00214
 273/241
 D325,934 S * 5/1992 Ramljak D11/147
 D328,616 S * 8/1992 Elder D21/336
 D329,169 S * 9/1992 Robbins, III D7/300
 D348,195 S * 6/1994 Higgins D8/71
 D348,488 S * 7/1994 Overman D21/336
 D354,989 S * 1/1995 West D19/105
 5,386,994 A * 2/1995 Baranowski A63F 3/00097
 273/248
 D361,678 S * 8/1995 Tavone D6/677.1
 D364,929 S * 12/1995 Bigler D24/230
 5,494,292 A * 2/1996 Mileti A63F 7/042
 273/110
 D373,032 S * 8/1996 Williamson-
 Markman D6/671.2
 5,560,605 A * 10/1996 Garcia A63F 9/0073
 273/153 P
 D375,762 S * 11/1996 Meunier D10/46.1
 D380,319 S * 7/1997 Sica D6/677.3
 D381,370 S * 7/1997 Hansen D21/336
 5,660,388 A * 8/1997 Benn A63F 3/00214
 273/241
 5,662,329 A * 9/1997 Nason A63F 3/00214
 273/261
 D405,293 S * 2/1999 Tate D6/552
 D418,706 S * 1/2000 Robishaw D6/534
 D421,195 S * 2/2000 Pezzullo D6/677.3
 6,234,346 B1 * 5/2001 Castleberry G07F 11/54
 211/129.1
 6,263,808 B1 * 7/2001 Robbins A47B 49/006
 108/94
 6,273,422 B1 * 8/2001 McGahan A63F 3/00214
 273/241
 6,279,907 B1 * 8/2001 Hullinger A63F 3/00214
 273/241
 6,382,627 B1 * 5/2002 Lundberg A63F 3/00094
 273/241
 6,581,933 B1 * 6/2003 Zivan A63F 3/00214
 273/148 A
 D477,451 S * 7/2003 Dupe D99/34
 D492,733 S * 7/2004 Wong D21/337
 D507,602 S * 7/2005 Siegel D19/85
 D510,388 S * 10/2005 Siegel D19/77
 7,021,465 B1 * 4/2006 McGuigan A47G 19/00
 206/457
 D525,314 S * 7/2006 Elkhoury D21/337
 D533,806 S * 12/2006 Kaneko D11/131
 D552,881 S * 10/2007 Rittmann D6/677.3
 D566,770 S * 4/2008 Cetera D19/77
 D576,838 S * 9/2008 Wong D7/501
 D599,416 S * 9/2009 Turco-Rivas D21/471
 D614,002 S * 4/2010 Heap D7/610
 D618,280 S * 6/2010 Siegel D19/85
 D624,360 S * 9/2010 Leavelle D7/501
 D631,342 S * 1/2011 Hettwer D9/433
 D642,405 S * 8/2011 Frohne D6/677.1
 D655,000 S * 2/2012 Mirigian D24/130

(56)

References Cited

U.S. PATENT DOCUMENTS

D664,010 S *	7/2012	Goode	D7/610				
D679,056 S *	3/2013	Mazza	D28/73				
8,544,390 B1 *	10/2013	Bahnsen	A47G 23/08				
				108/94				
D697,741 S *	1/2014	Musheyev	D6/677.5				
8,720,689 B2 *	5/2014	Kirkland	B65D 1/36				
				206/488				
D707,992 S *	7/2014	Naha	D6/675.3				
8,770,419 B2 *	7/2014	Carlton	A47F 7/0028				
				211/69				
8,915,391 B2 *	12/2014	Radow	A47G 19/00				
				108/139				
D728,694 S *	5/2015	Nelson	D11/147				
9,313,957 B2 *	4/2016	Wargo	A01G 5/04				
D765,183 S *	8/2016	Lowery	D21/336				
D765,400 S *	9/2016	Hancock	D3/315				
D770,935 S *	11/2016	Torres	D11/131				
D772,619 S *	11/2016	Lombardi	D6/682.4				
					D774,597 S *	12/2016	Lowery D21/336
					9,808,689 B1 *	11/2017	Siepmann A63B 67/002
					2004/0135314 A1 *	7/2004	Peterson A63F 3/00176
								273/241
					2005/0036911 A1 *	2/2005	Sellers B01L 9/52
								422/65
					2007/0187893 A1 *	8/2007	Brown A63F 3/00094
								273/241
					2008/0185781 A1 *	8/2008	Mascolo A63F 9/0073
								273/153 P
					2009/0057249 A1 *	3/2009	Donnellan A47B 49/00
								211/77
					2010/0044964 A1 *	2/2010	Constantine A63B 63/08
								273/378
					2012/0043718 A1 *	2/2012	Cheng A63F 3/00214
								273/241
					2016/0038809 A1 *	2/2016	Rockwell A63B 67/06
								273/401
					2017/0319926 A1 *	11/2017	Siepmann A63B 67/002
					2017/0319928 A1 *	11/2017	Siepmann A63B 67/06

* cited by examiner

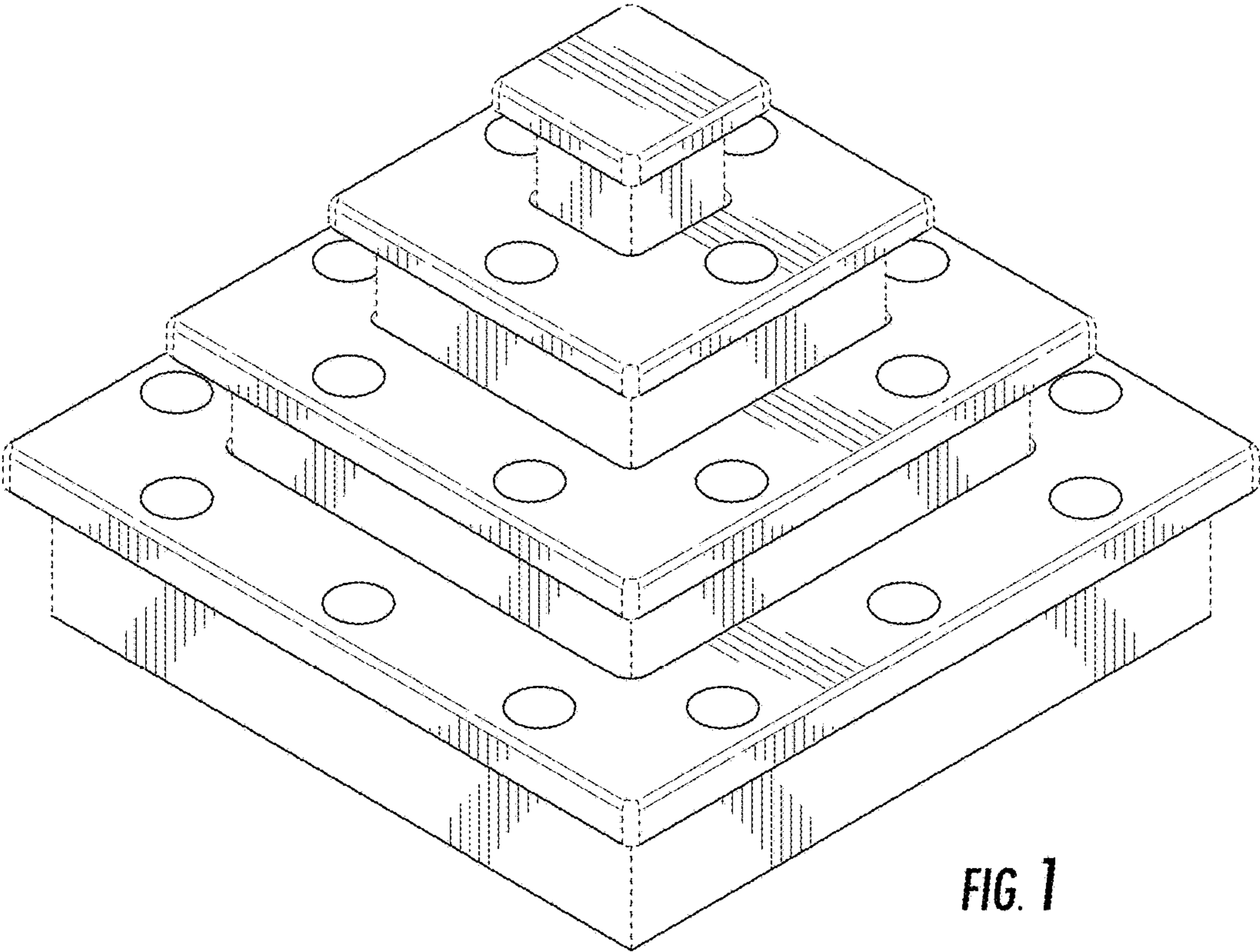


FIG. 1

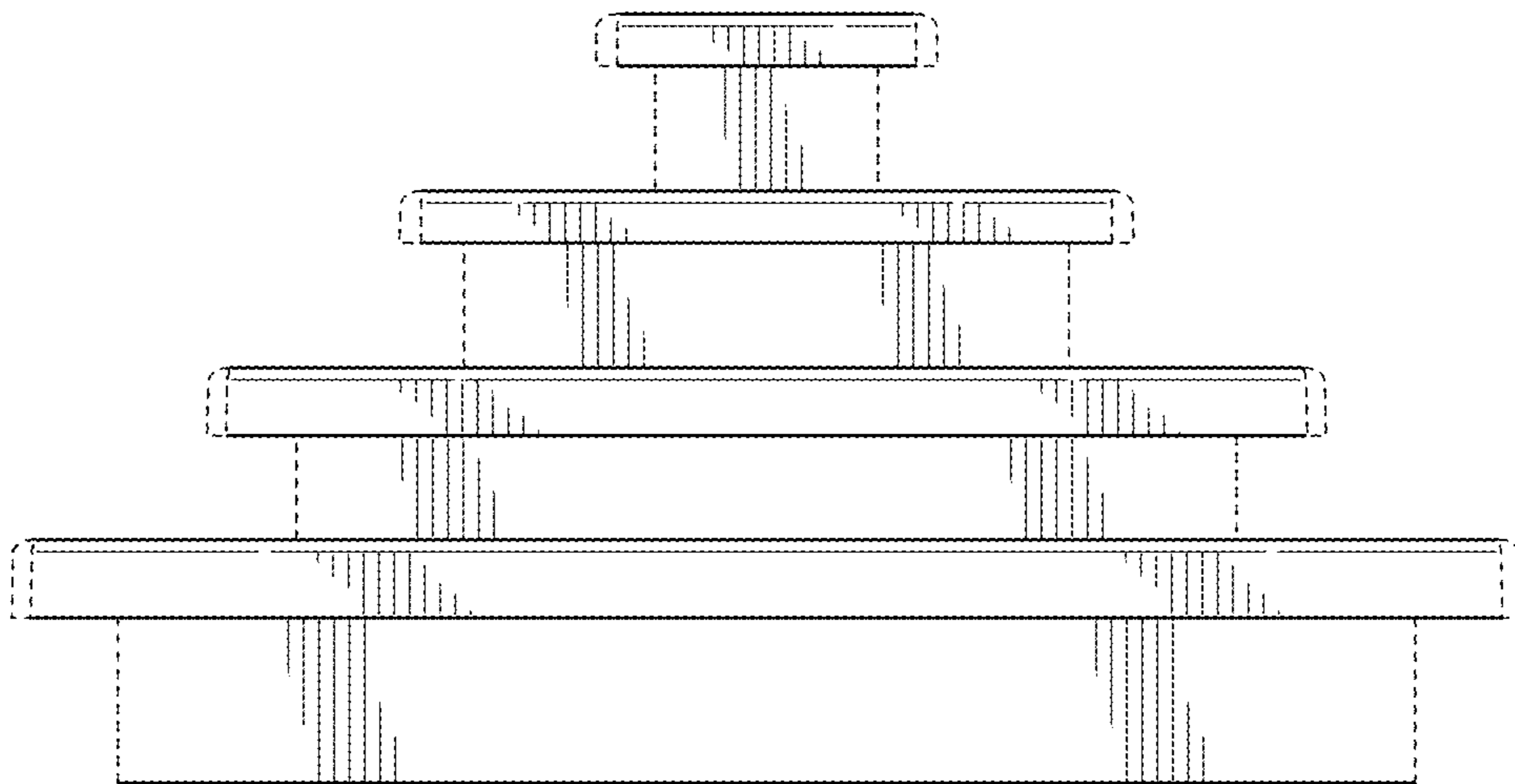


FIG. 2

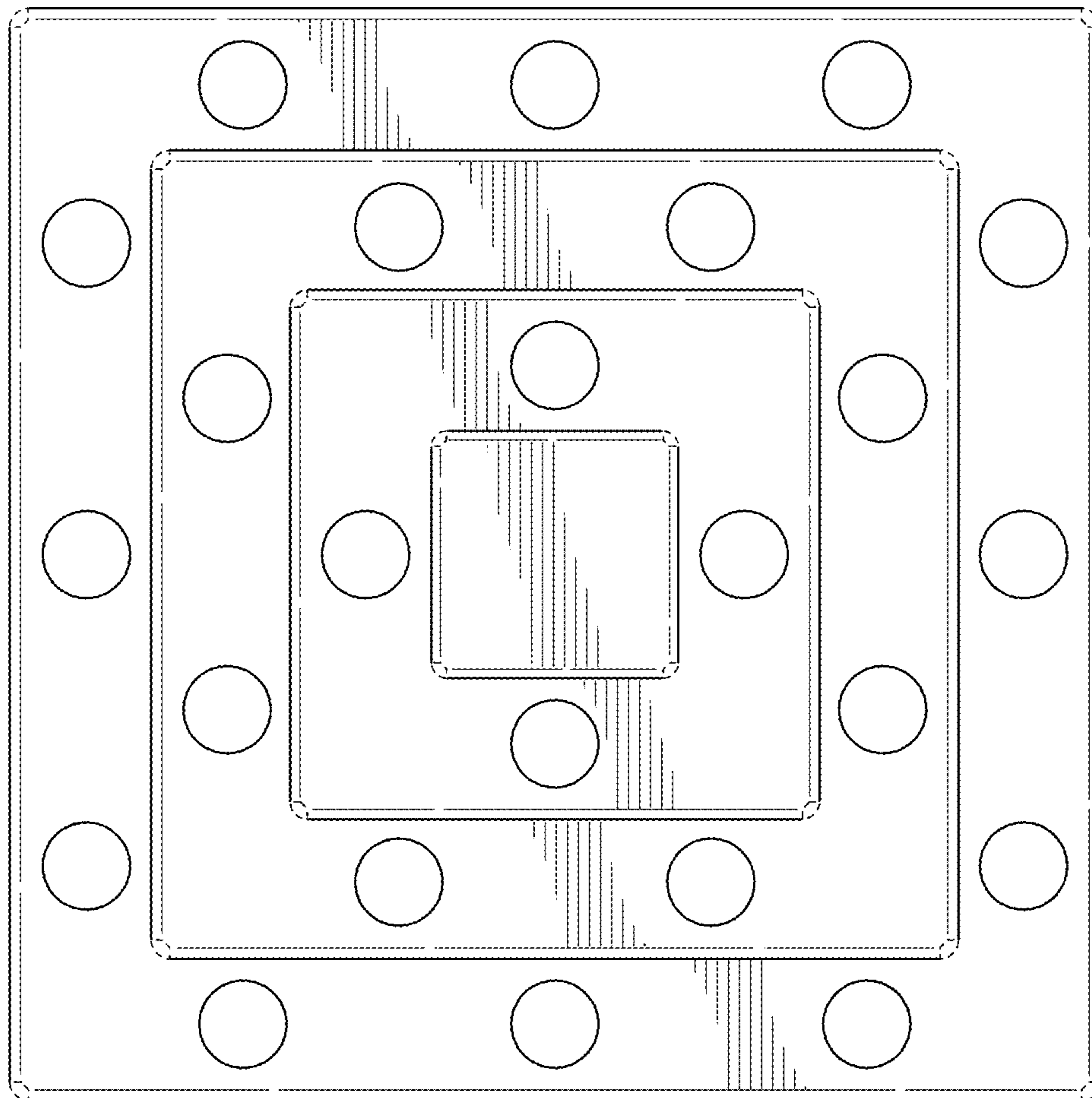


FIG. 3

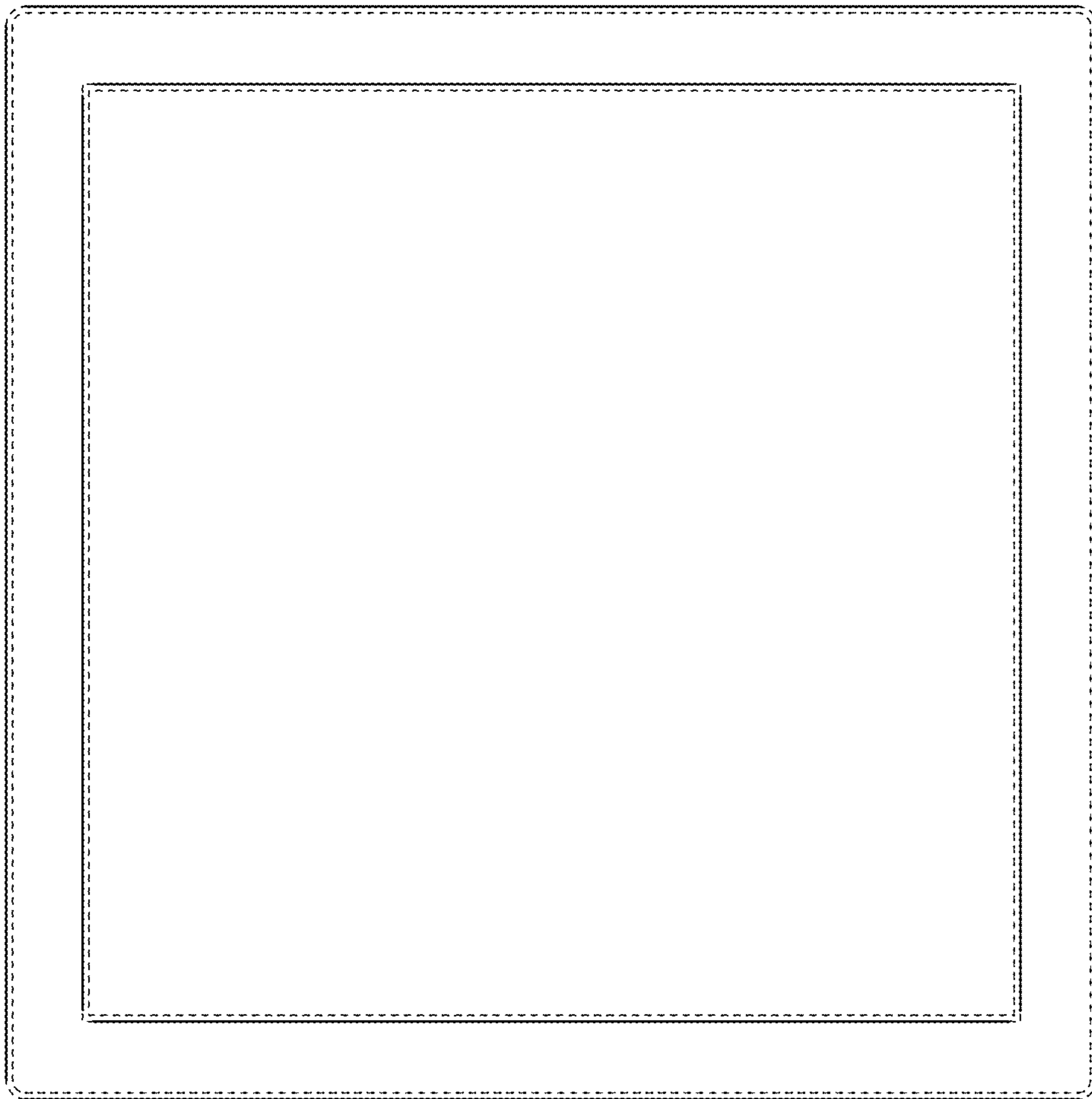


FIG. 4

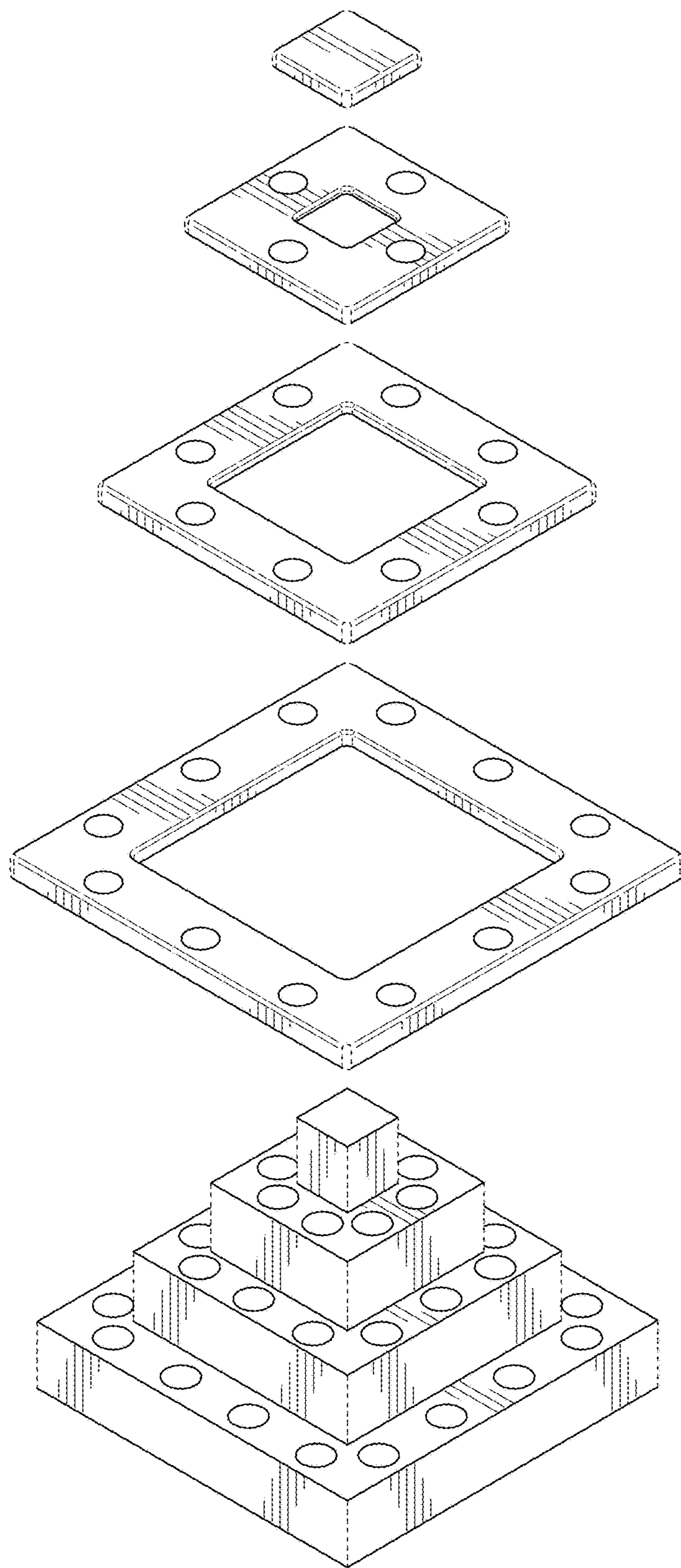


FIG. 5

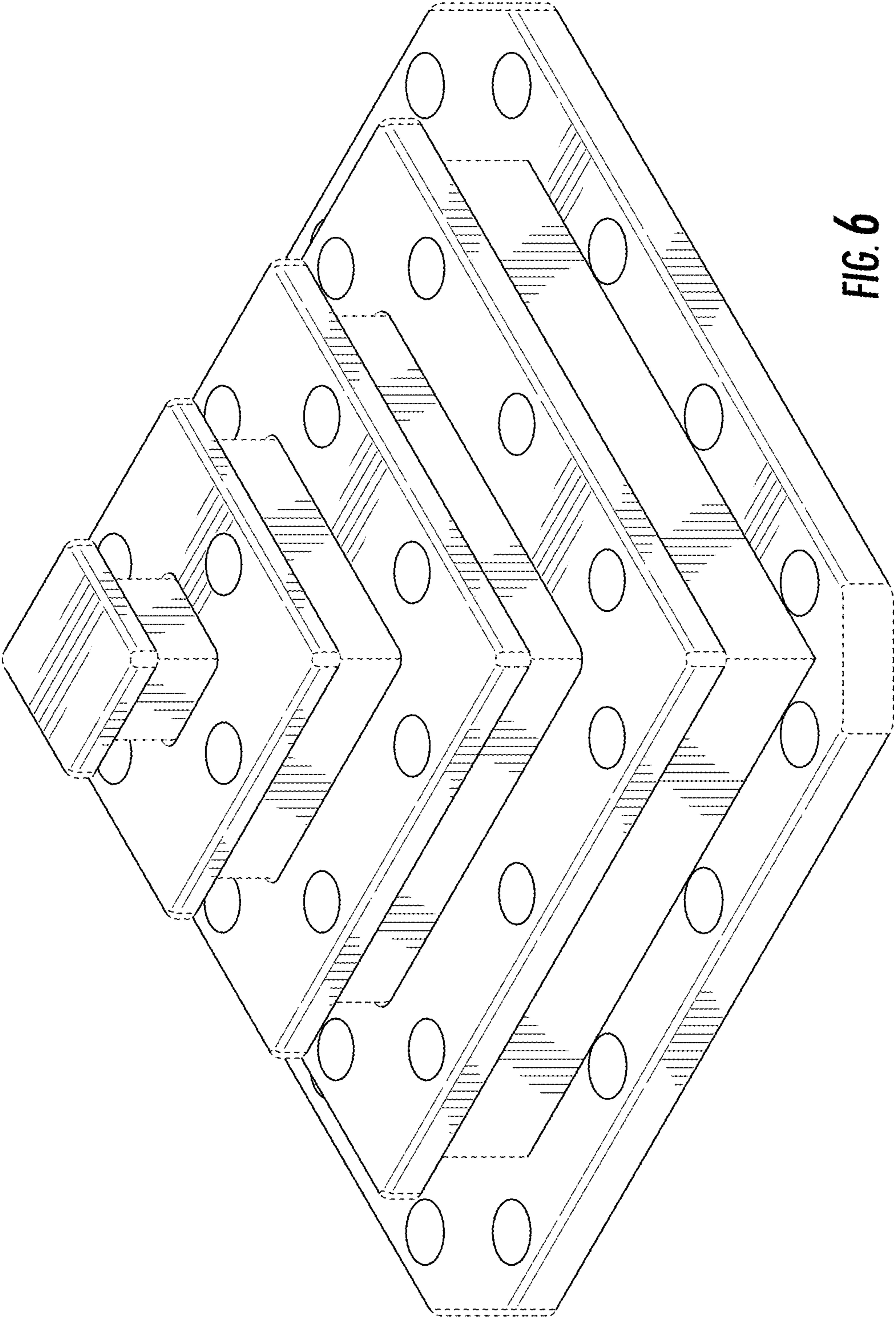


FIG. 6

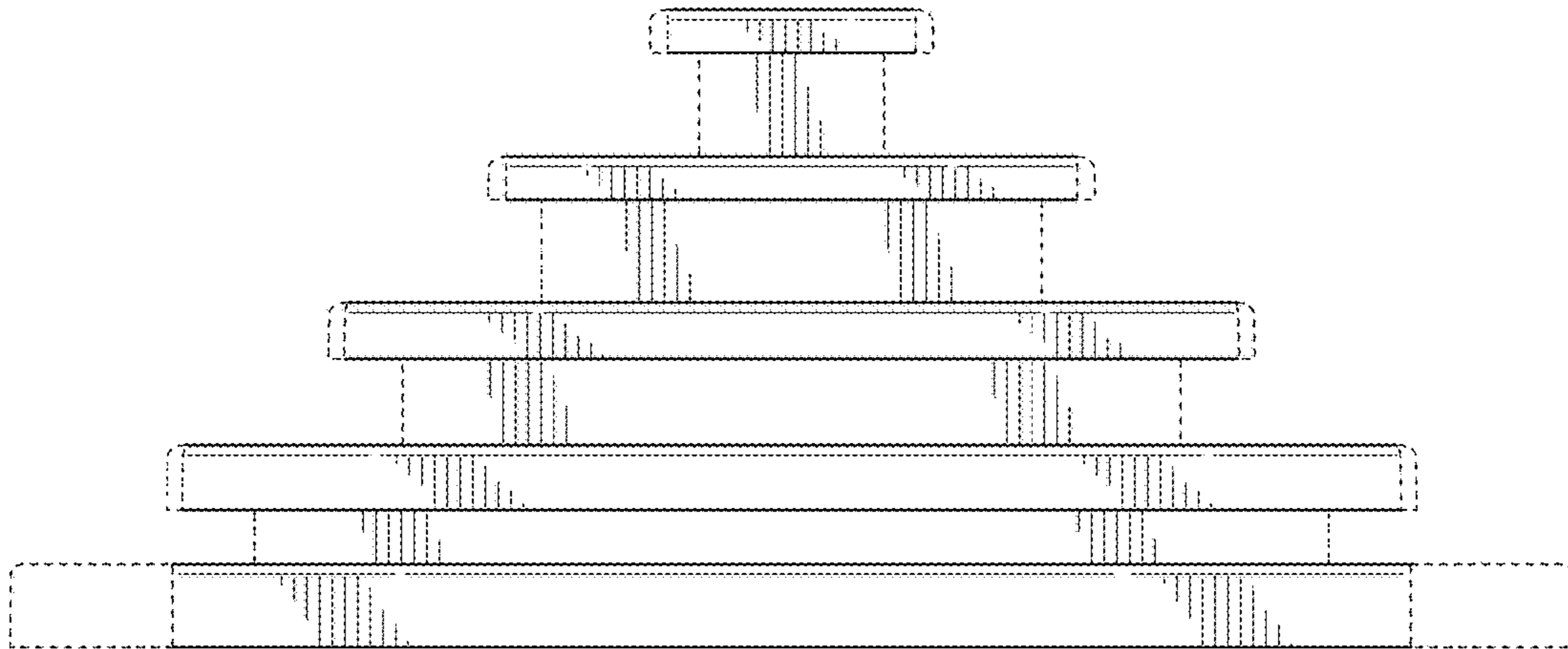


FIG. 7

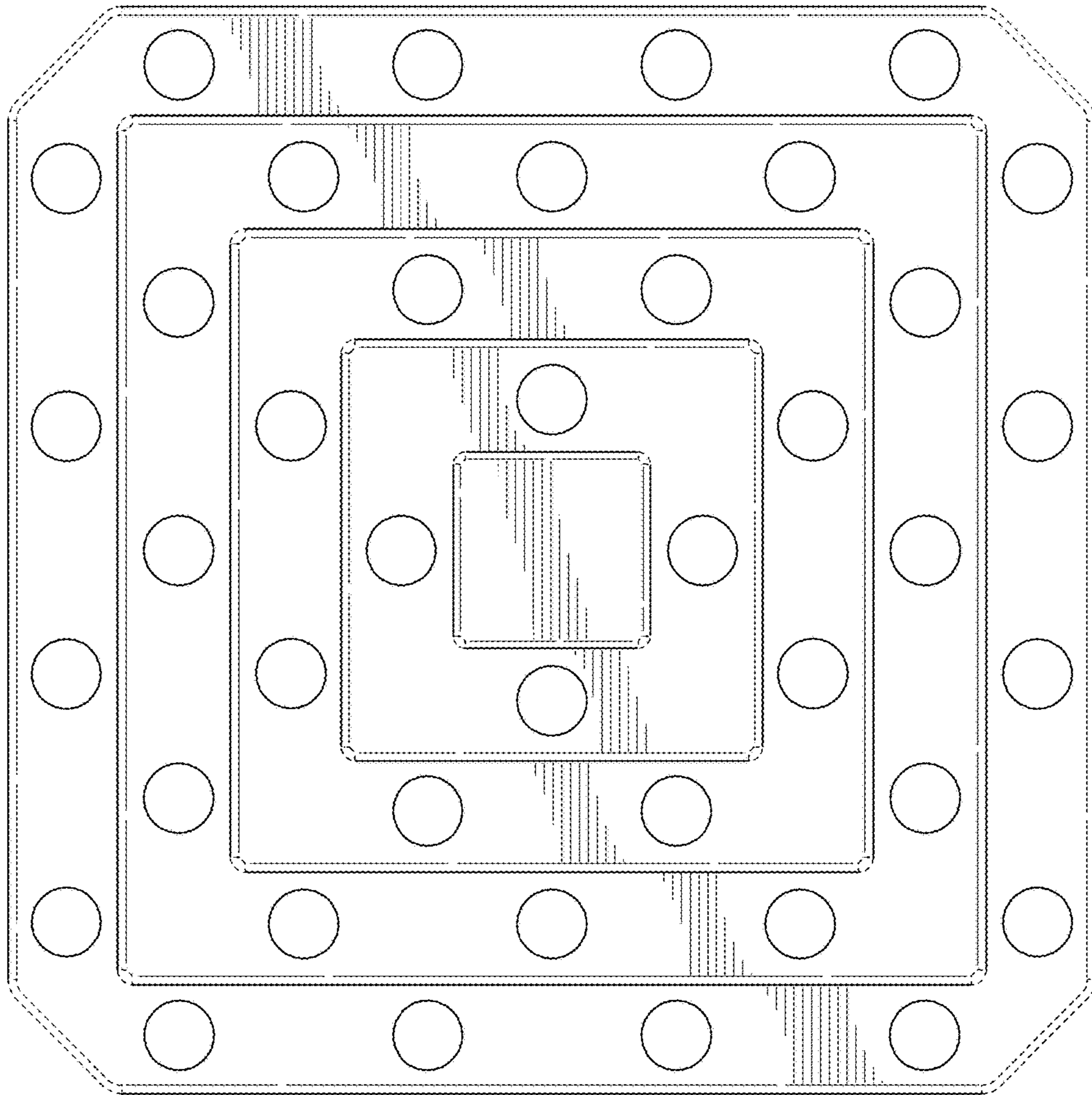


FIG. 8

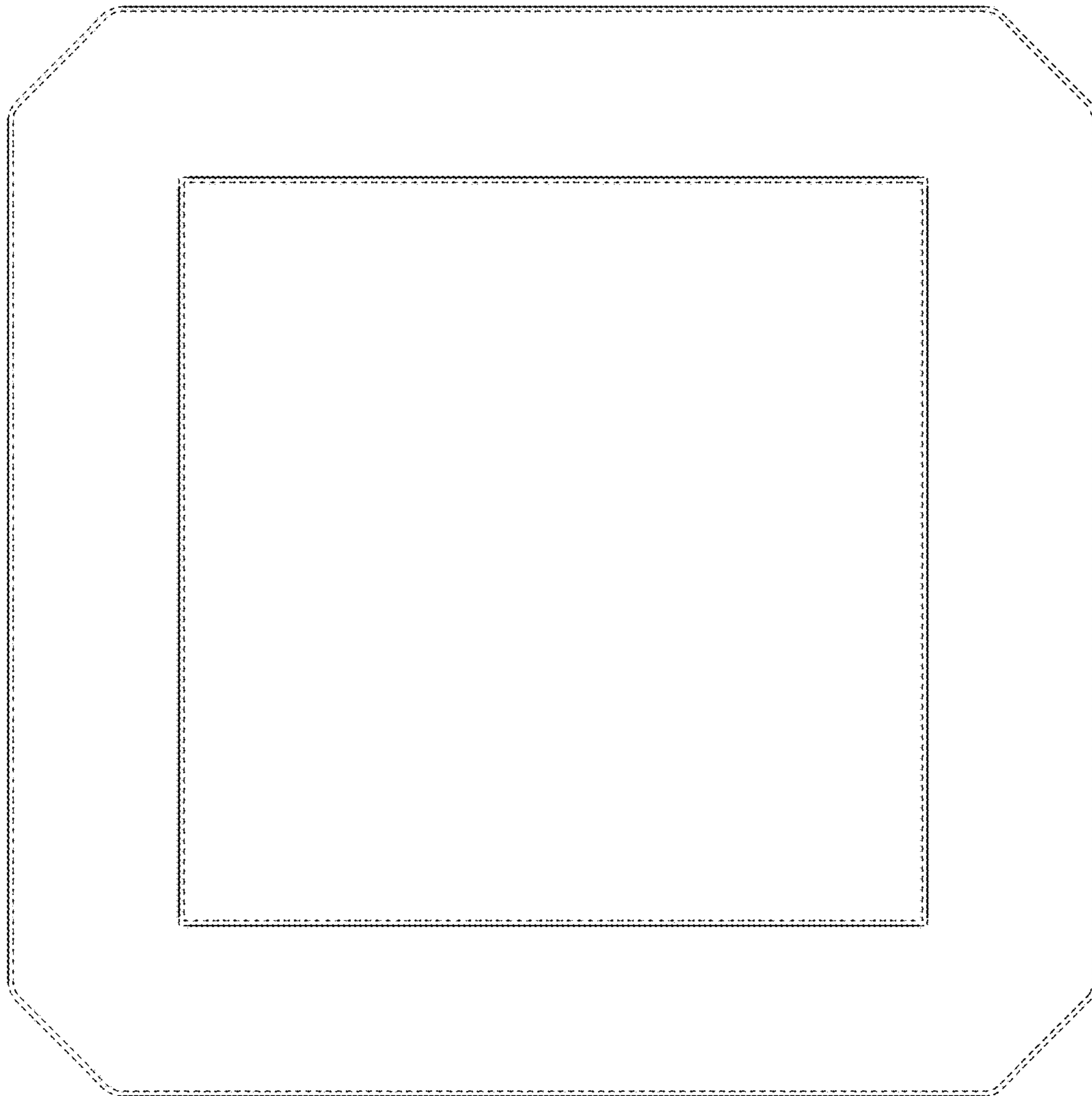


FIG. 9

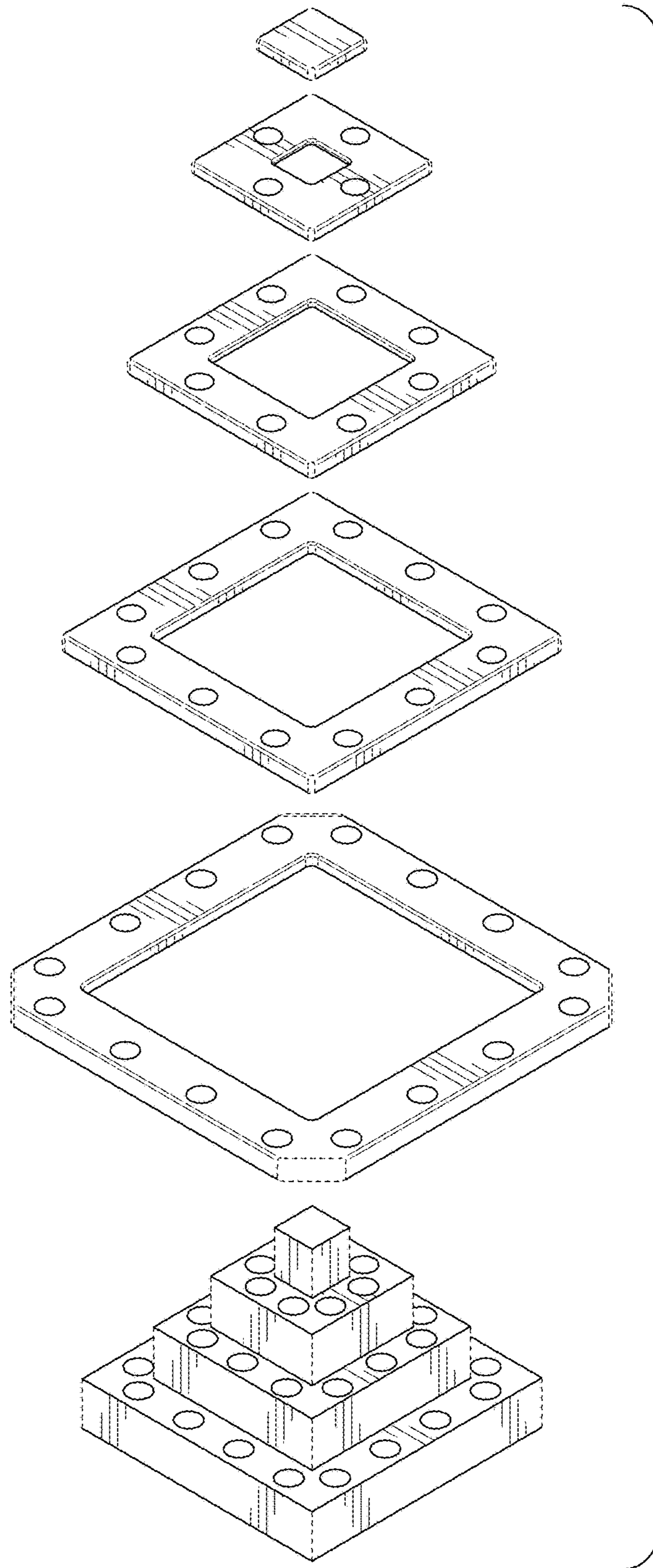


FIG. 10