



US00D813951S

(12) **United States Design Patent**
Siepmann

(10) **Patent No.:** **US D813,951 S**
(45) **Date of Patent:** **** Mar. 27, 2018**

(54) **TIERED BEVERAGE PONG GAME SYSTEM**

(71) Applicant: **Scott Siepmann**, Scottsdale, AZ (US)

(72) Inventor: **Scott Siepmann**, Scottsdale, AZ (US)

(**) Term: **15 Years**

(21) Appl. No.: **29/563,589**

(22) Filed: **May 5, 2016**

Related U.S. Application Data

(63) Continuation-in-part of application No. 15/147,840, filed on May 5, 2016, now Pat. No. 9,808,689.

(51) **LOC (11) Cl.** **21-01**

(52) **U.S. Cl.**

USPC **D21/336**

(58) **Field of Classification Search**

USPC D21/336, 337, 338, 341, 342, 310, 311, D21/300, 362, 385, 386, 388, 389, 393, D21/398, 399, 401, 404, 405, 455, 456, D21/468, 470, 471, 473, 474, 475, 476, D21/478, 479, 483-488, 506, 507, 510, D21/589, 789, 790, 796, 811, 812, 821, D21/826, 830; 273/336, 337, 376, 398, 273/401, 407, 110, 112, 113, 118 R, 273/123 R, 236, 241, 248, 249, 280, 289, 273/290, 153 R-156, 153 P, 153 S, 447, 273/449, 450, 459, 142 HA; 446/69, 71, 446/75, 76, 81, 85, 87, 117, 118, 124, 446/125, 127, 236, 248, 249, 251, 252, 446/265, 396, 476, 486, 487, 489, 491, 446/901; 434/208, 259, 433; D7/610, D7/558; 108/94, 101, 92, 42

CPC A63F 3/00003; A63F 3/00082; A63F 3/00088; A63F 3/00173; A63F 3/00214; A63F 3/00261; A63F 3/00529; A63F 3/00533; A63F 3/00574; A63F 3/00634; A63F 2003/00217; A63F 2003/0022; A63F 2003/00223; A63F 2003/00268; A63F 2003/00277; A63F 2003/0028;

A63F 2003/0035; A63F 2003/004; A63F 2003/00403; A63F 2003/00406; A63F 2003/00514; A63F 2003/00599; A63F (Continued)

(56) **References Cited**

U.S. PATENT DOCUMENTS

1,153,062 A * 9/1915 Gourlay A47F 7/145 211/132.1
D89,285 S * 2/1933 Migney D19/25 (Continued)

Primary Examiner — Susan Moon Lee

(74) *Attorney, Agent, or Firm* — Michelle L. Gross, P.C.

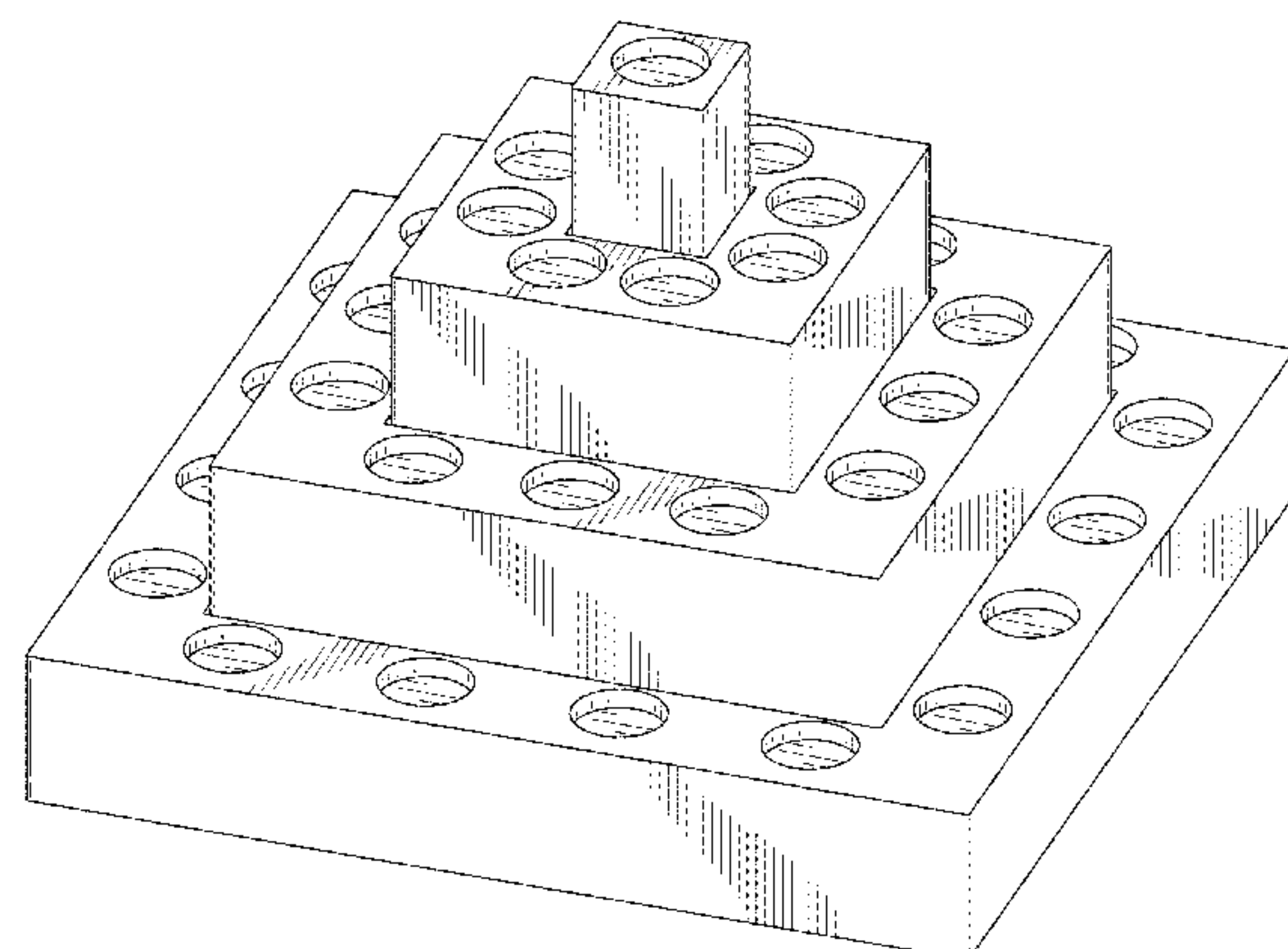
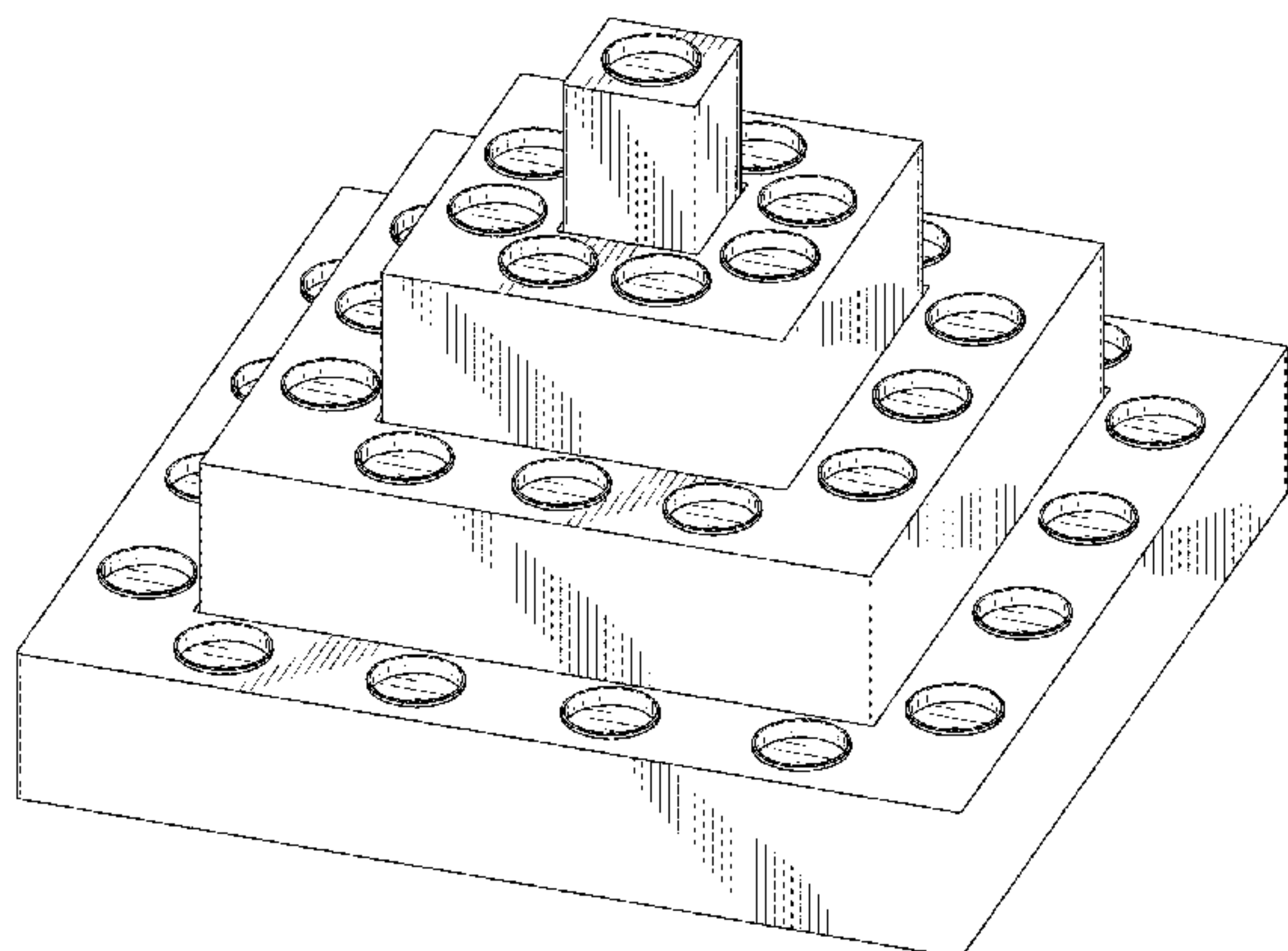
(57) **CLAIM**

The ornamental design for a tiered beverage pong game system, as shown and described.

DESCRIPTION

FIG. 1 is a perspective view of a tiered beverage pong game system;
FIG. 2 is a front view of the tiered beverage pong game system;
FIG. 3 is a rear view of the tiered beverage pong game system;
FIG. 4 is a left side view of the tiered beverage pong game system;
FIG. 5 is a right side view of the tiered beverage pong game system;
FIG. 6 is a top view of the tiered beverage pong game system;
FIG. 7 is a bottom view of the tiered beverage pong game system; and,
FIG. 8 is a perspective view of the tiered beverage pong game system according to a second embodiment.
The broken lines and unshaded portions contained within broken line in FIG. 7 depict an unclaimed area of the tiered beverage pong game system.

1 Claim, 6 Drawing Sheets



(58) **Field of Classification Search**

CPC 2003/00637; A63F 7/0023; A63F 7/0076;
 A63F 7/02; A63F 7/36; A63F 7/3622;
 A63F 2007/3655; A63F 2007/3659; A63F
 2007/3666; A63F 9/001; A63F 9/0073;
 A63F 9/0613; A63F 9/08; A63F 9/0803;
 A63F 9/0811; A63F 2009/0846; A63F
 2009/0884; A63F 2009/1212; A63F
 2009/1216; A63F 2009/1224; A63F
 2009/1228; A63F 2009/1236; A63F
 2009/1248; A63F 2009/1292; A63F
 2009/1296; A63F 2009/0012; A63F
 2009/002; A63F 2009/0033; A63F
 2009/0035; A63F 2009/0049; A63F
 2009/007; A63F 2009/0073; A63F
 2009/0075; A63F 2009/0815; A63H
 15/06; A63H 33/04; A63H 33/046; A63H
 33/06; A63H 33/065; A63H 33/00; A63B
 43/00; A63B 67/066; A63B 67/06; A63B
 71/0036; A63B 2067/061

See application file for complete search history.

(56) **References Cited**

U.S. PATENT DOCUMENTS

D104,775 S * 6/1937 Grossman 273/241
 D121,485 S * 7/1940 Spanel 211/74
 D131,453 S * 3/1942 Avila D6/680.2
 2,281,849 A * 5/1942 McCoppin A47G 23/025
 101/407.1
 D142,322 S * 8/1945 Judd D11/118
 2,649,969 A * 8/1953 Andrews A47F 7/283
 211/74
 D172,246 S * 5/1954 Payne D21/341
 2,697,294 A * 12/1954 Zenker G09F 19/10
 40/539
 3,169,496 A * 2/1965 Muggli A47G 23/08
 108/101
 D208,283 S * 8/1967 Cranfill D6/677
 D211,295 S * 6/1968 Wolf D19/85
 3,456,806 A * 7/1969 Borston A45D 6/00
 211/60.1
 D215,103 S * 9/1969 Stevens 273/241
 3,727,771 A * 4/1973 Hoffman B25H 3/003
 206/379
 D227,585 S * 7/1973 Welbourn 273/281
 D229,997 S * 1/1974 Hoffman D6/677.3
 3,809,407 A * 5/1974 Quigley A63F 9/12
 273/241
 3,843,220 A * 10/1974 Snider B65D 21/0235
 312/204
 D244,323 S * 5/1977 Stone 242/139
 D259,141 S * 5/1981 Oliver D11/147
 D261,781 S * 11/1981 Keltner D21/336
 D275,022 S * 8/1984 Simpson D21/471
 D279,385 S * 6/1985 Lieberman D19/77
 4,666,162 A * 5/1987 Campbell A63F 3/0457
 273/153 P
 D296,568 S * 7/1988 Nadeau D19/77
 4,757,956 A * 7/1988 McGuire B65H 49/38
 211/132.1
 D298,264 S * 10/1988 Wang D19/85
 D311,217 S * 10/1990 Meyers D21/336
 4,972,947 A * 11/1990 McCarthy B43M 99/006
 206/214
 5,004,245 A * 4/1991 Schumacher A63F 3/0023
 273/241
 D323,446 S * 1/1992 Morse D6/680.1
 5,085,440 A * 2/1992 Van Dam A63F 3/00214
 273/241
 D325,934 S * 5/1992 Ramljak D11/147
 D328,616 S * 8/1992 Elder D21/336

D329,169 S * 9/1992 Robbins, III D7/300
 D348,195 S * 6/1994 Higgins D8/71
 D348,488 S * 7/1994 Overman D21/336
 D354,989 S * 1/1995 West D19/105
 5,386,994 A * 2/1995 Baranowski A63F 3/00097
 273/248
 D361,678 S * 8/1995 Tavone D6/677.1
 D364,929 S * 12/1995 Bigler D24/230
 5,494,292 A * 2/1996 Mileti A63F 7/042
 273/110
 D373,032 S * 8/1996 Williamson-
 Markman D6/671.2
 5,560,605 A * 10/1996 Garcia A63F 9/0073
 273/153 P
 D375,762 S * 11/1996 Meunier D10/46.1
 D380,319 S * 7/1997 Sica D6/677.3
 D381,370 S * 7/1997 Hansen D21/336
 5,660,388 A * 8/1997 Benn A63F 3/00214
 273/241
 5,662,329 A * 9/1997 Nason A63F 3/00214
 273/261
 D405,293 S * 2/1999 Tate D6/552
 D418,706 S * 1/2000 Robishaw D6/534
 D421,195 S * 2/2000 Pezzullo D6/677.3
 6,234,346 B1 * 5/2001 Castleberry G07F 11/54
 211/129.1
 6,263,808 B1 * 7/2001 Robbins A47B 49/006
 108/94
 6,273,422 B1 * 8/2001 McGahan A63F 3/00214
 273/241
 6,279,907 B1 * 8/2001 Hullinger A63F 3/00214
 273/241
 6,382,627 B1 * 5/2002 Lundberg A63F 3/00094
 273/241
 6,581,933 B1 * 6/2003 Zivan A63F 3/00214
 273/148 A
 D477,451 S * 7/2003 Dupe D99/34
 D492,733 S * 7/2004 Wong D21/337
 D507,602 S * 7/2005 Siegel D19/85
 D510,388 S * 10/2005 Siegel D19/77
 7,021,465 B1 * 4/2006 McGuigan A47G 19/00
 206/457
 D525,314 S * 7/2006 Elkhoury D21/337
 D533,806 S * 12/2006 Kaneko D11/131
 D552,881 S * 10/2007 Rittmann D6/677.3
 D566,770 S * 4/2008 Cetera D19/77
 D576,838 S * 9/2008 Wong D7/501
 D599,416 S * 9/2009 Turco-Rivas D21/471
 D614,002 S * 4/2010 Heap D7/610
 D618,280 S * 6/2010 Siegel D19/85
 D624,360 S * 9/2010 Leavelle D7/501
 D631,342 S * 1/2011 Hettwer D9/433
 D642,405 S * 8/2011 Frohne D6/677.1
 D655,000 S * 2/2012 Mirigian D24/130
 D664,010 S * 7/2012 Goode D7/610
 D679,056 S * 3/2013 Mazza D28/73
 8,544,390 B1 * 10/2013 Bahnsen A47G 23/08
 108/94
 D697,741 S * 1/2014 Musheyev D6/677.5
 8,720,689 B2 * 5/2014 Kirkland B65D 1/36
 206/488
 D707,992 S * 7/2014 Naha D6/675.3
 8,770,419 B2 * 7/2014 Carlton A47F 7/0028
 211/69
 8,915,391 B2 * 12/2014 Radow A47G 19/00
 108/139
 D728,694 S * 5/2015 Nelson D11/147
 9,313,957 B2 * 4/2016 Wargo A01G 5/04
 D765,183 S * 8/2016 Lowery D21/336
 D765,400 S * 9/2016 Hancock D3/315
 D770,935 S * 11/2016 Torres D11/131
 D772,619 S * 11/2016 Lombardi D6/682.4
 D774,597 S * 12/2016 Lowery D21/336
 9,808,689 B1 * 11/2017 Siepmann A63B 67/002
 2004/0135314 A1 * 7/2004 Peterson A63F 3/00176
 273/241

(56)

References Cited

U.S. PATENT DOCUMENTS

2005/0036911 A1* 2/2005 Sellers B01L 9/52
422/65
2007/0187893 A1* 8/2007 Brown A63F 3/00094
273/241
2008/0185781 A1* 8/2008 Mascolo A63F 9/0073
273/153 P
2009/0057249 A1* 3/2009 Donnellan A47B 49/00
211/77
2010/0044964 A1* 2/2010 Constantine A63B 63/08
273/378
2012/0043718 A1* 2/2012 Cheng A63F 3/00214
273/241
2016/0038809 A1* 2/2016 Rockwell A63B 67/06
273/401
2017/0319926 A1* 11/2017 Siepmann A63B 67/002

* cited by examiner

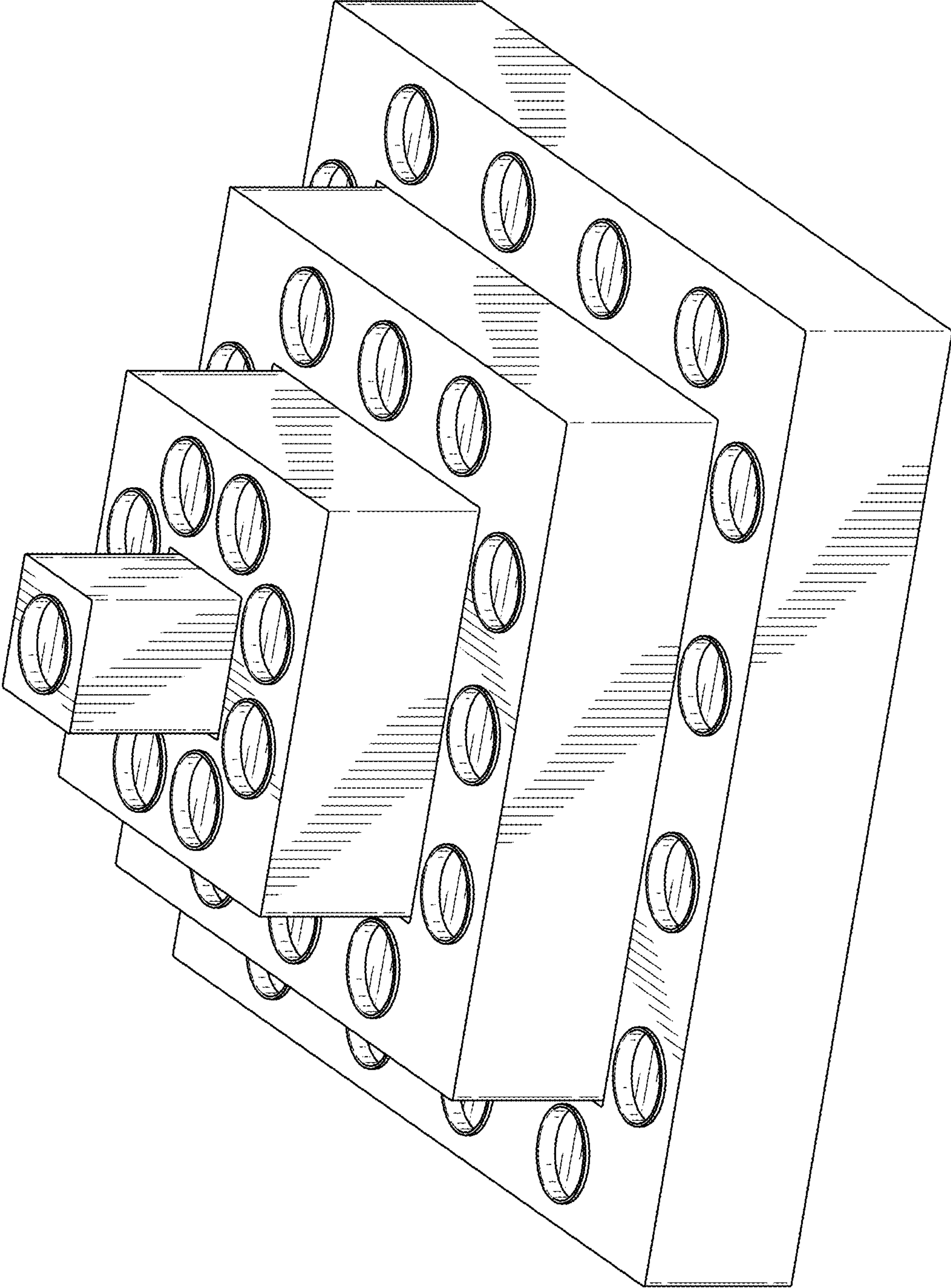


FIG. 1

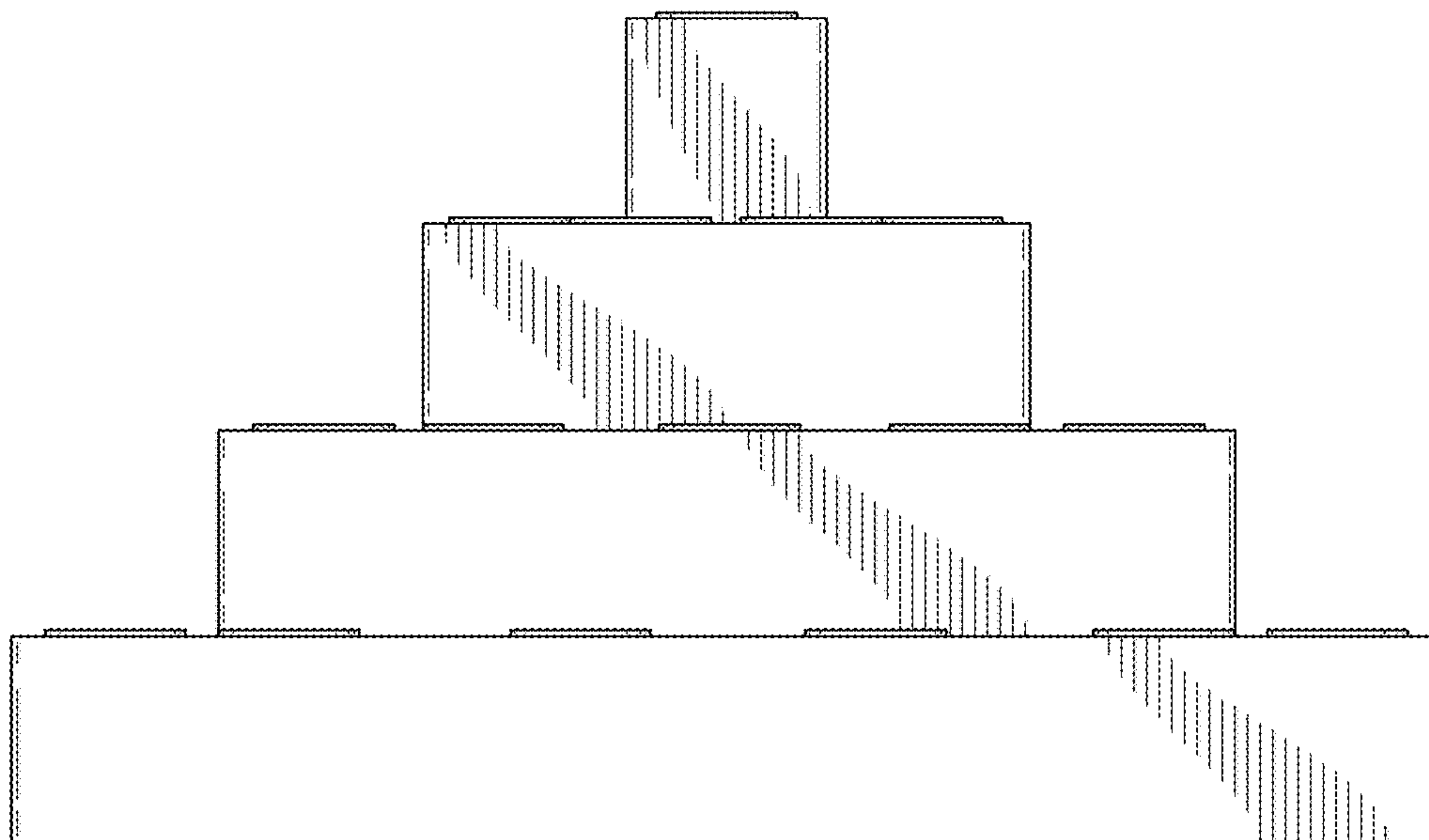


FIG. 2

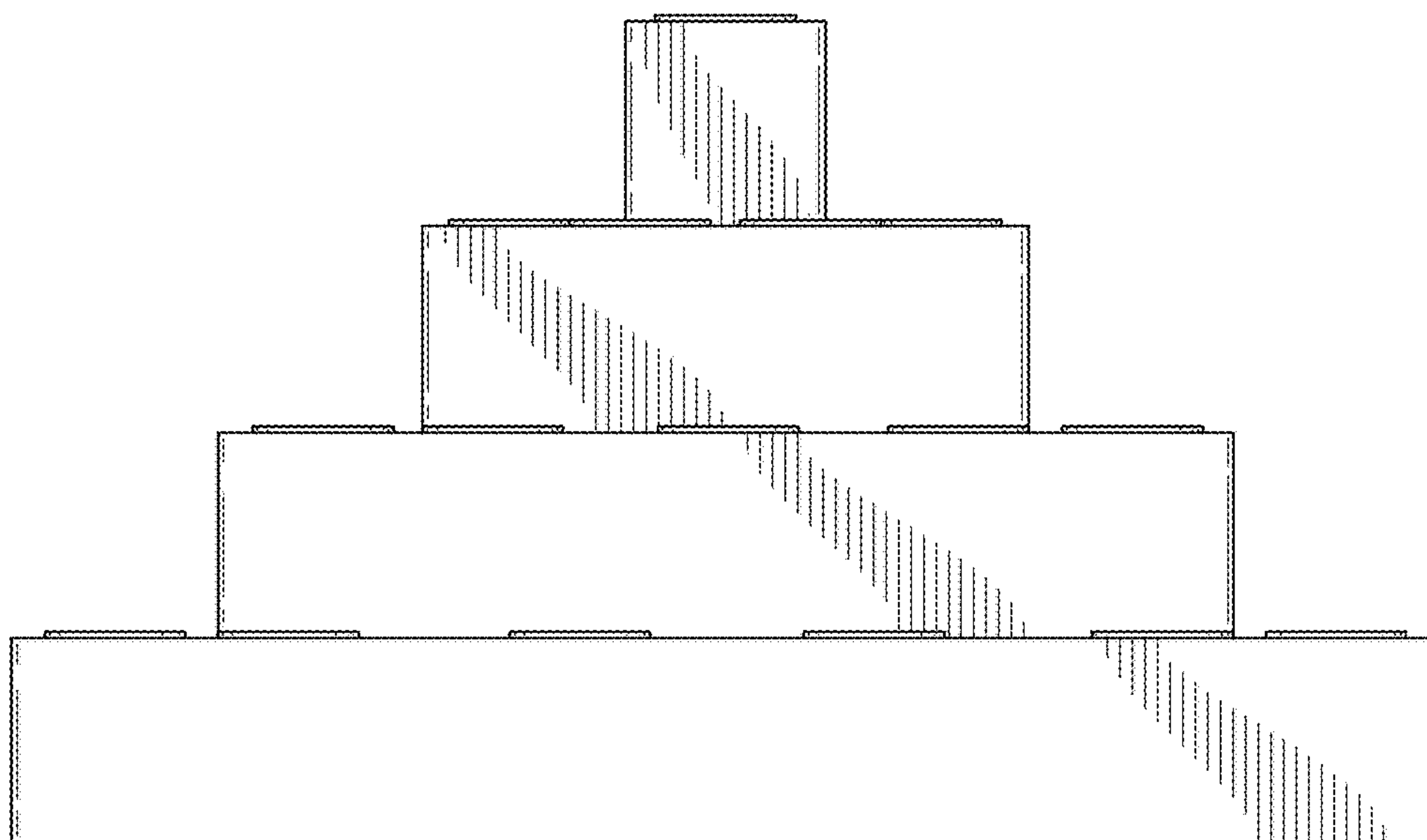


FIG. 3

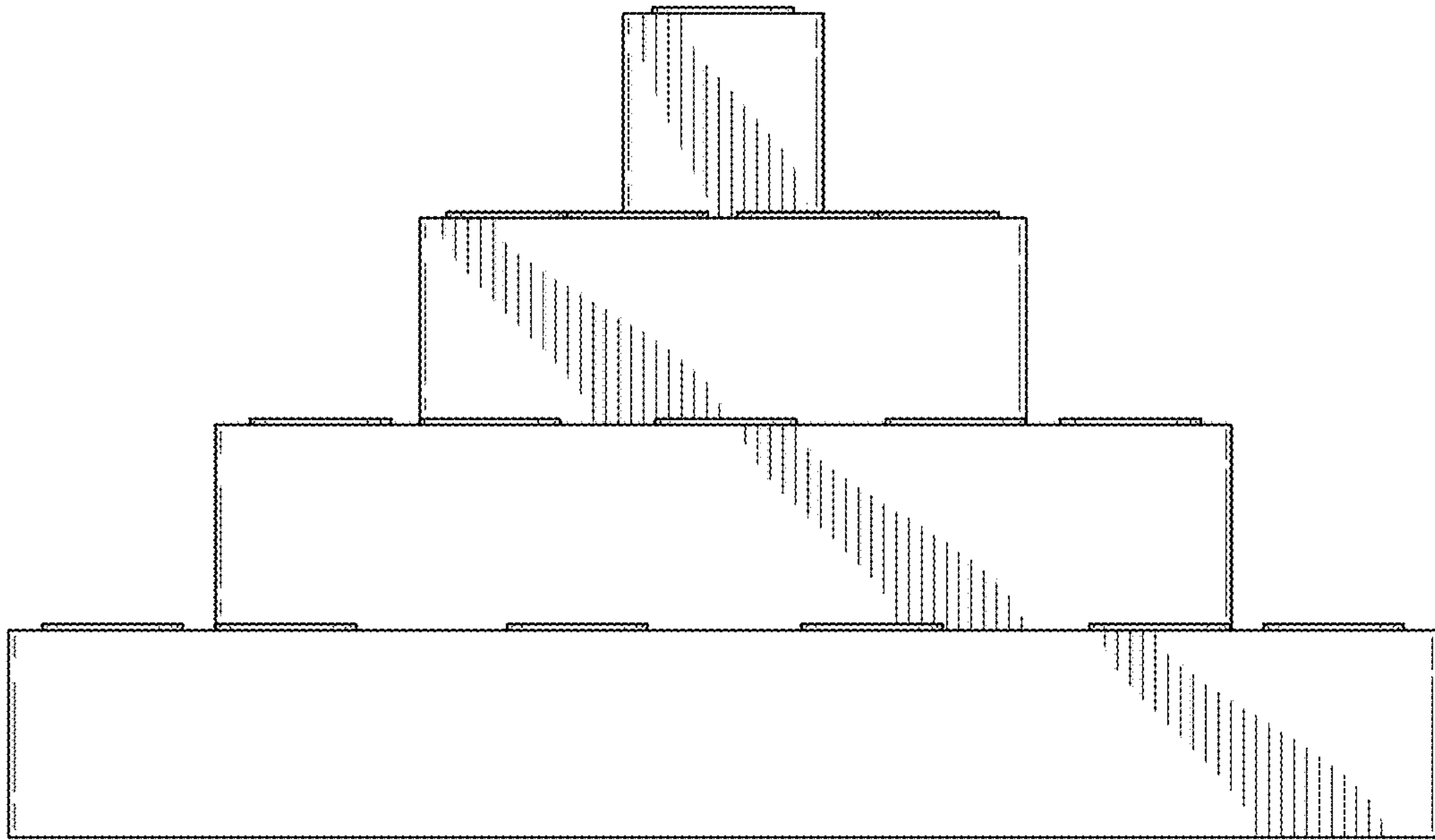


FIG. 4

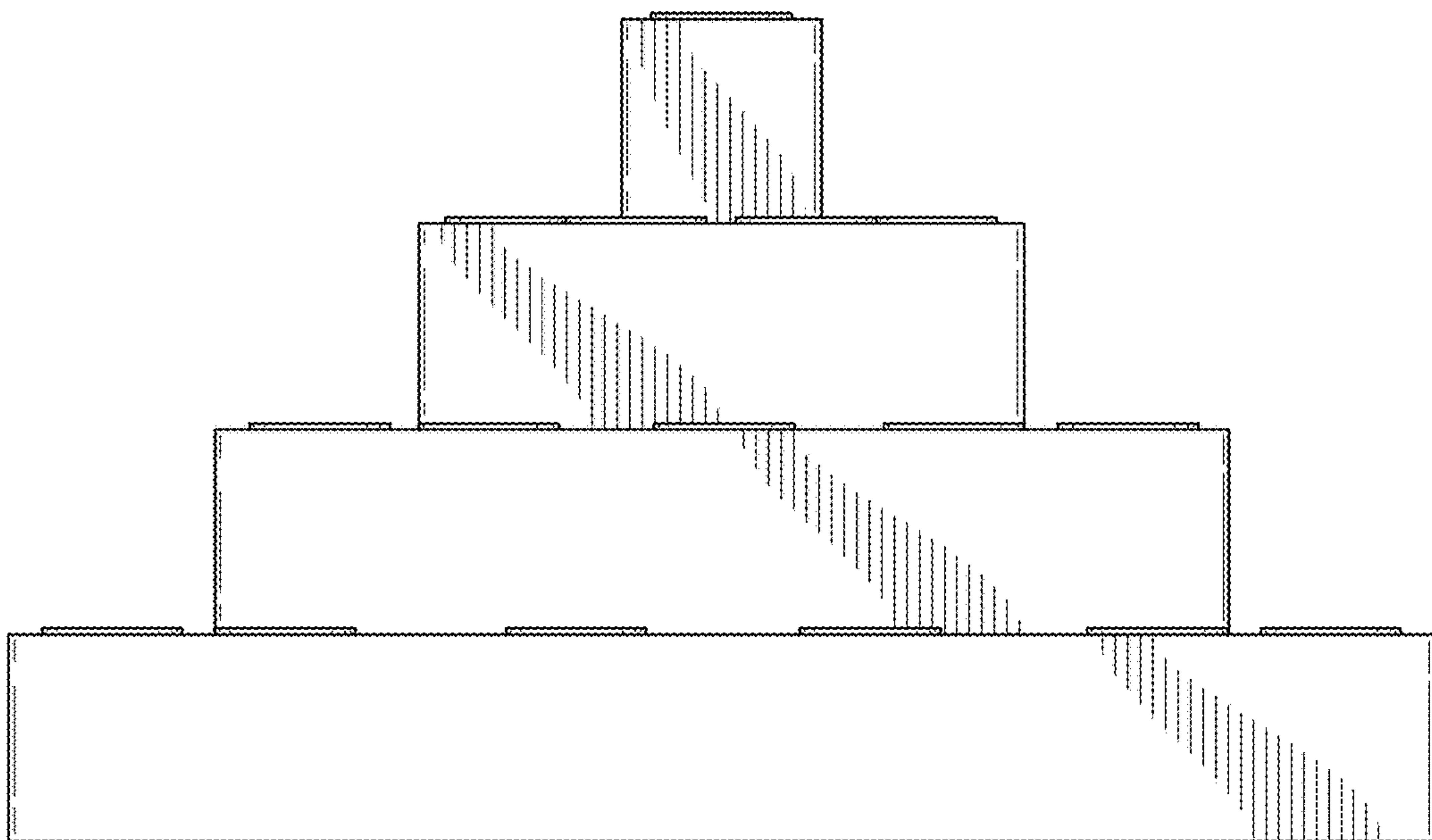


FIG. 5

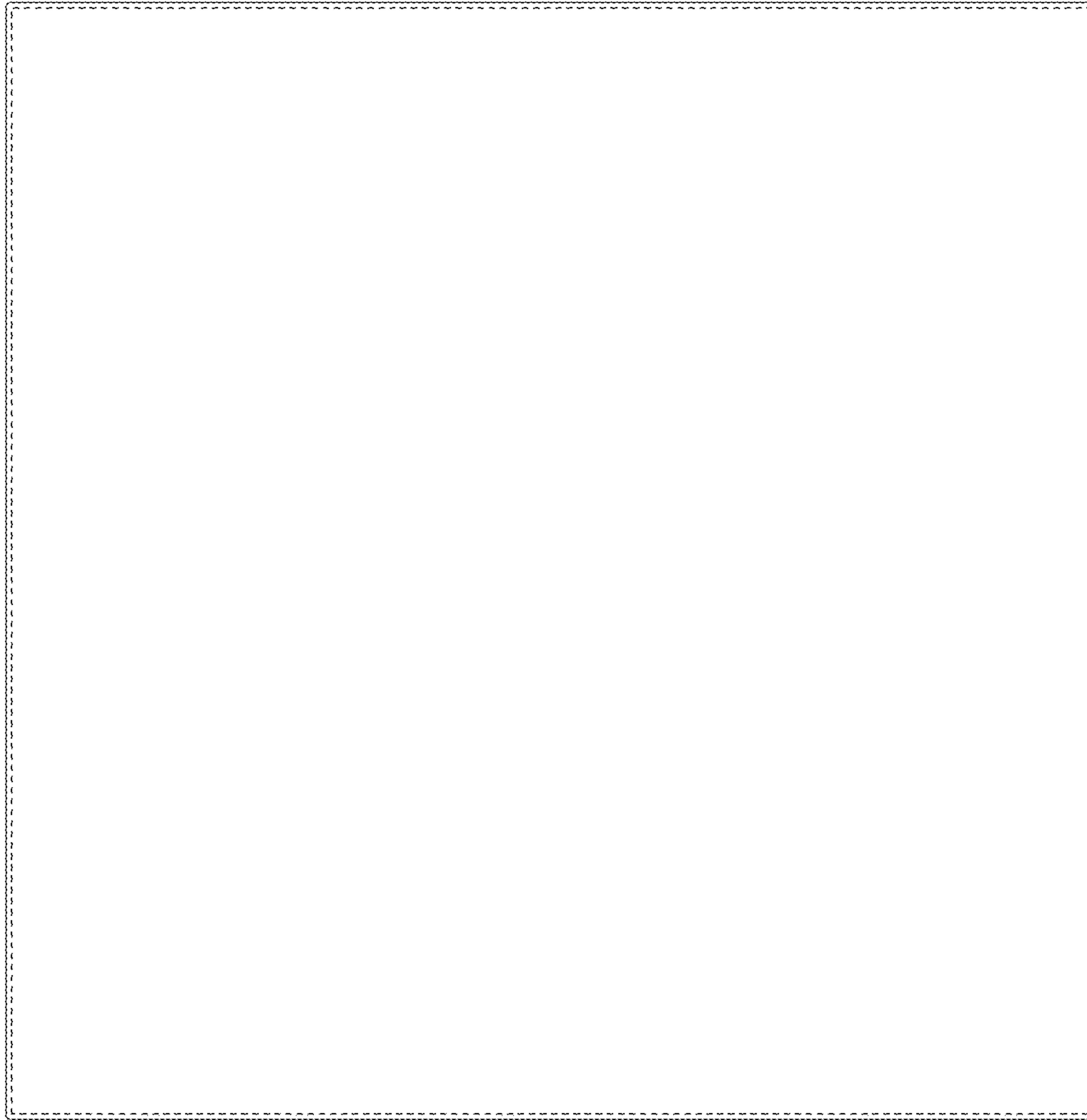


FIG. 7

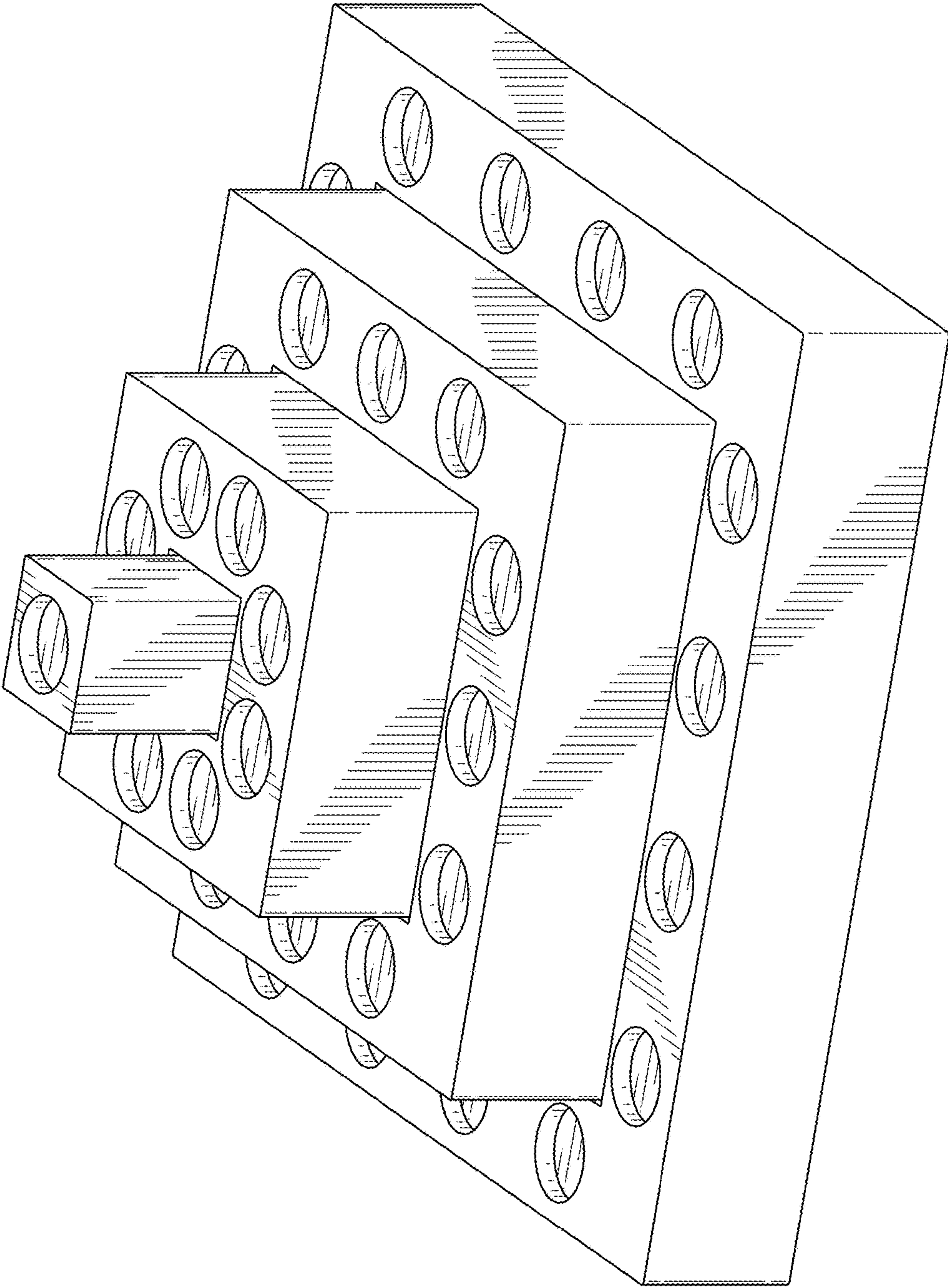


FIG. 8