



US00D813947S

(12) **United States Design Patent** (10) **Patent No.:** **US D813,947 S**  
**Vadenne** (45) **Date of Patent:** **\*\* Mar. 27, 2018**

(54) **CAP FOR WRITING INSTRUMENT**

(71) Applicant: **Societe BIC**, Clichy (FR)

(72) Inventor: **Franck Vadenne**, Bezons (FR)

(73) Assignee: **Societe BIC**, Clichy (FR)

(\*\*) Term: **15 Years**

(21) Appl. No.: **29/552,746**

(22) Filed: **Jan. 26, 2016**

(30) **Foreign Application Priority Data**

Jul. 27, 2015 (EM) ..... 002743302

(51) **LOC (11) Cl.** ..... **19-06**

(52) **U.S. Cl.**  
USPC ..... **D19/195**; D19/918; D19/924

(58) **Field of Classification Search**  
USPC ..... D14/411; D19/115–204  
CPC ... B43K 5/00; B43K 7/00; B43K 7/12; B43K  
8/04; B43K 8/06; B43K 19/00; B43K  
19/02; B43K 19/14; B43K 24/08  
See application file for complete search history.

(56) **References Cited**

**U.S. PATENT DOCUMENTS**

D221,033 S *	6/1971	Wakai	.....	D19/166
D239,280 S *	3/1976	Taylor	.....	D19/195
D374,460 S *	10/1996	Young	.....	D19/166
D379,372 S *	5/1997	Young	.....	D19/166
D402,312 S *	12/1998	Chevalier	.....	D19/195
D452,526 S *	12/2001	Nishida	.....	D19/166
D461,501 S *	8/2002	Nishida	.....	D19/166
D487,771 S *	3/2004	Hwang	.....	D19/166
D530,745 S *	10/2006	Kent	.....	D19/166
D530,748 S *	10/2006	Kent	.....	D19/195
D540,384 S *	4/2007	Qiu	.....	D19/166

(Continued)

*Primary Examiner* — Elizabeth Albert

(74) *Attorney, Agent, or Firm* — Ohlandt, Greeley, Ruggiero & Perle, L.L.P

(57) **CLAIM**

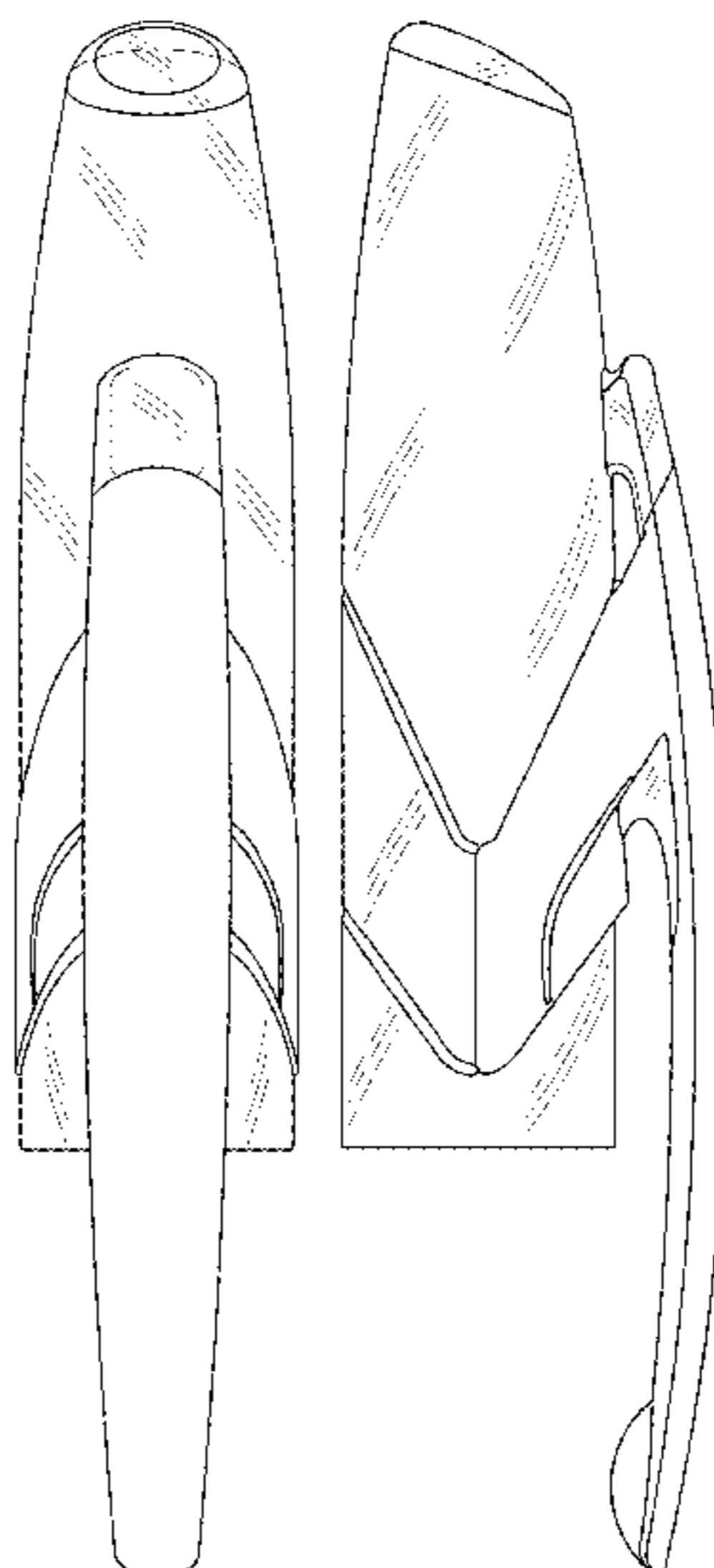
The ornamental design for a cap for writing instrument, as shown and described.

**DESCRIPTION**

FIG. 1 is a perspective view of a first embodiment of cap for writing instrument according to the present design;  
 FIG. 2 is a front view of the cap for writing instrument of FIG. 1;  
 FIG. 3 is a rear view of the cap for writing instrument of FIG. 1;  
 FIG. 4 is a right side view of the cap for writing instrument of FIG. 1;  
 FIG. 5 is a left side view of the cap for writing instrument of FIG. 1;  
 FIG. 6 is a top view of the cap for writing instrument of FIG. 1; and  
 FIG. 7 is a bottom view of the cap for writing instrument of FIG. 1;  
 FIG. 8 is a perspective view of a second embodiment of cap for writing instrument;  
 FIG. 9 is a front view of the cap for writing instrument of FIG. 8;  
 FIG. 10 is a rear view of the cap for writing instrument of FIG. 8;  
 FIG. 11 is a right side view of the cap for writing instrument of FIG. 8;  
 FIG. 12 is a left side view of the cap for writing instrument of FIG. 8;  
 FIG. 13 is a top view of the cap for writing instrument of FIG. 8; and,  
 FIG. 14 is a bottom view of the cap for writing instrument of FIG. 8.

The features in broken lines of the figures are included to show portions of the cap for writing instrument that form no part of the claimed design.

**1 Claim, 14 Drawing Sheets**



(56)

**References Cited**

U.S. PATENT DOCUMENTS

D546,386 S *	7/2007	Qiu .....	D19/166
D546,387 S *	7/2007	Qiu .....	D19/166
D547,802 S *	7/2007	Jeon .....	D19/166
D563,471 S *	3/2008	Qiu .....	D19/167
D648,386 S *	11/2011	Zhang .....	D19/166
D655,337 S *	3/2012	Zhang .....	D19/167
D662,981 S *	7/2012	Xie .....	D19/166
D693,876 S *	11/2013	Jiang .....	D19/166
D699,296 S *	2/2014	Wang .....	D19/195
D701,572 S *	3/2014	Jiang .....	D19/166
D704,770 S *	5/2014	Ke .....	D19/166
D746,923 S *	1/2016	Fleming .....	D19/166

\* cited by examiner

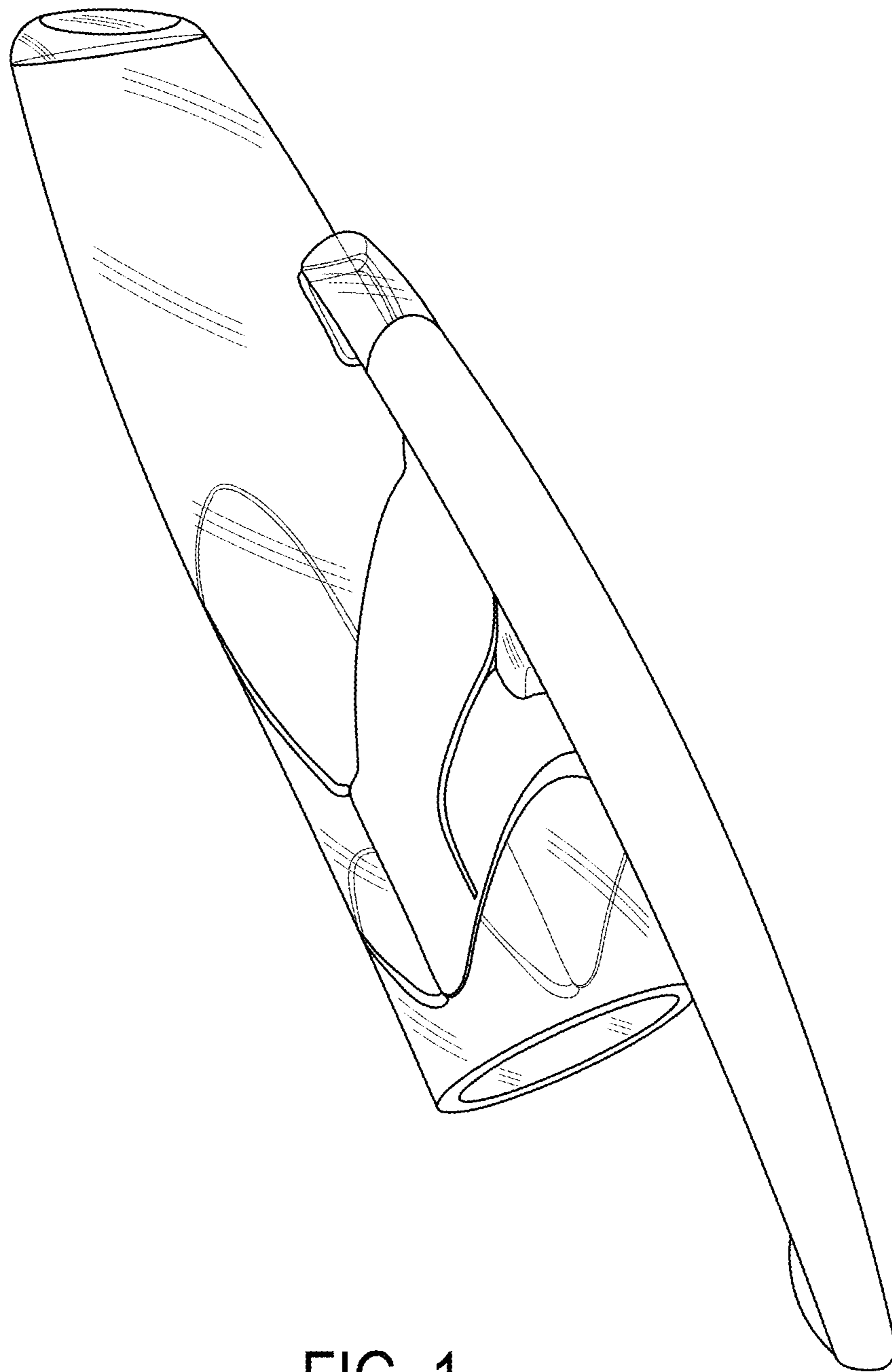


FIG. 1

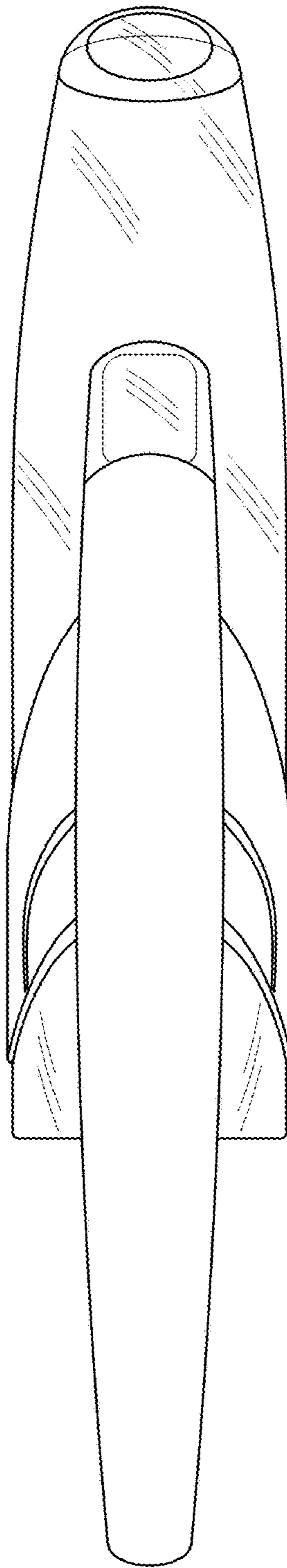


FIG. 2

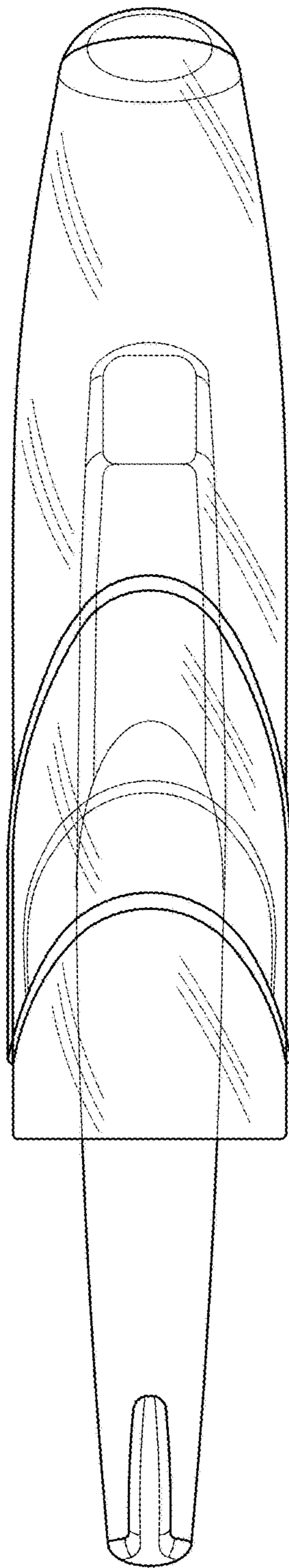


FIG. 3

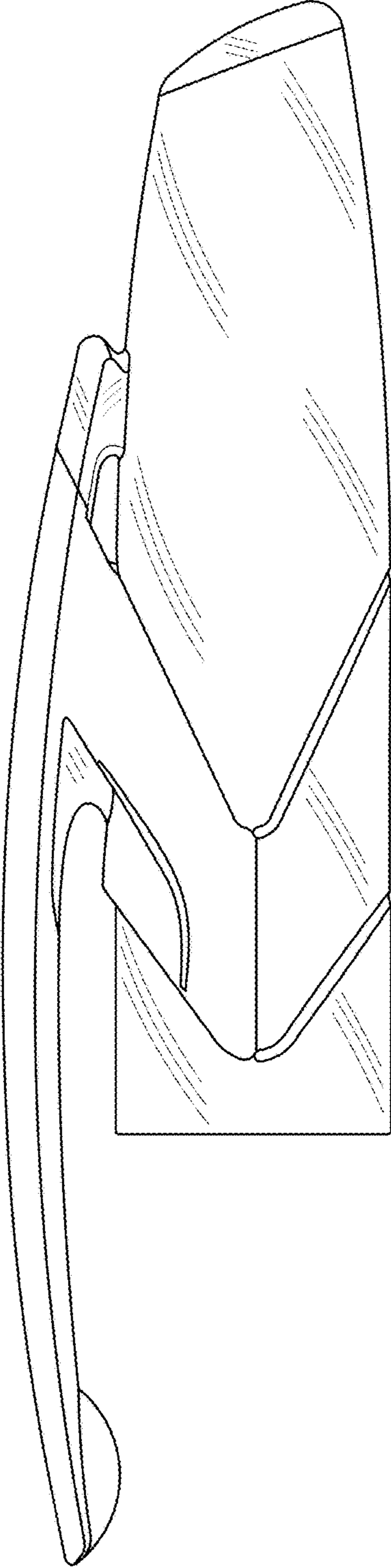


FIG. 4



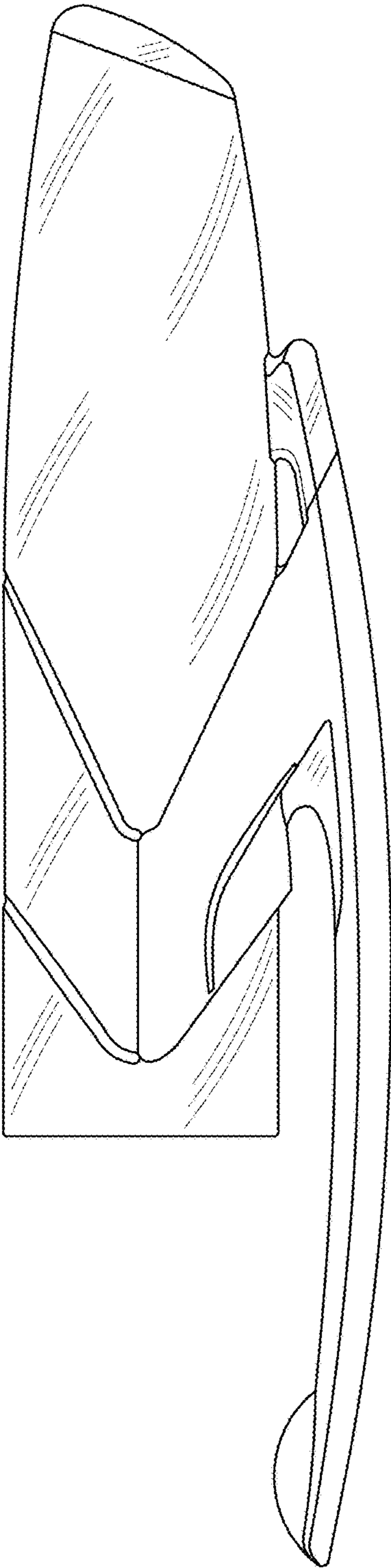


FIG. 5

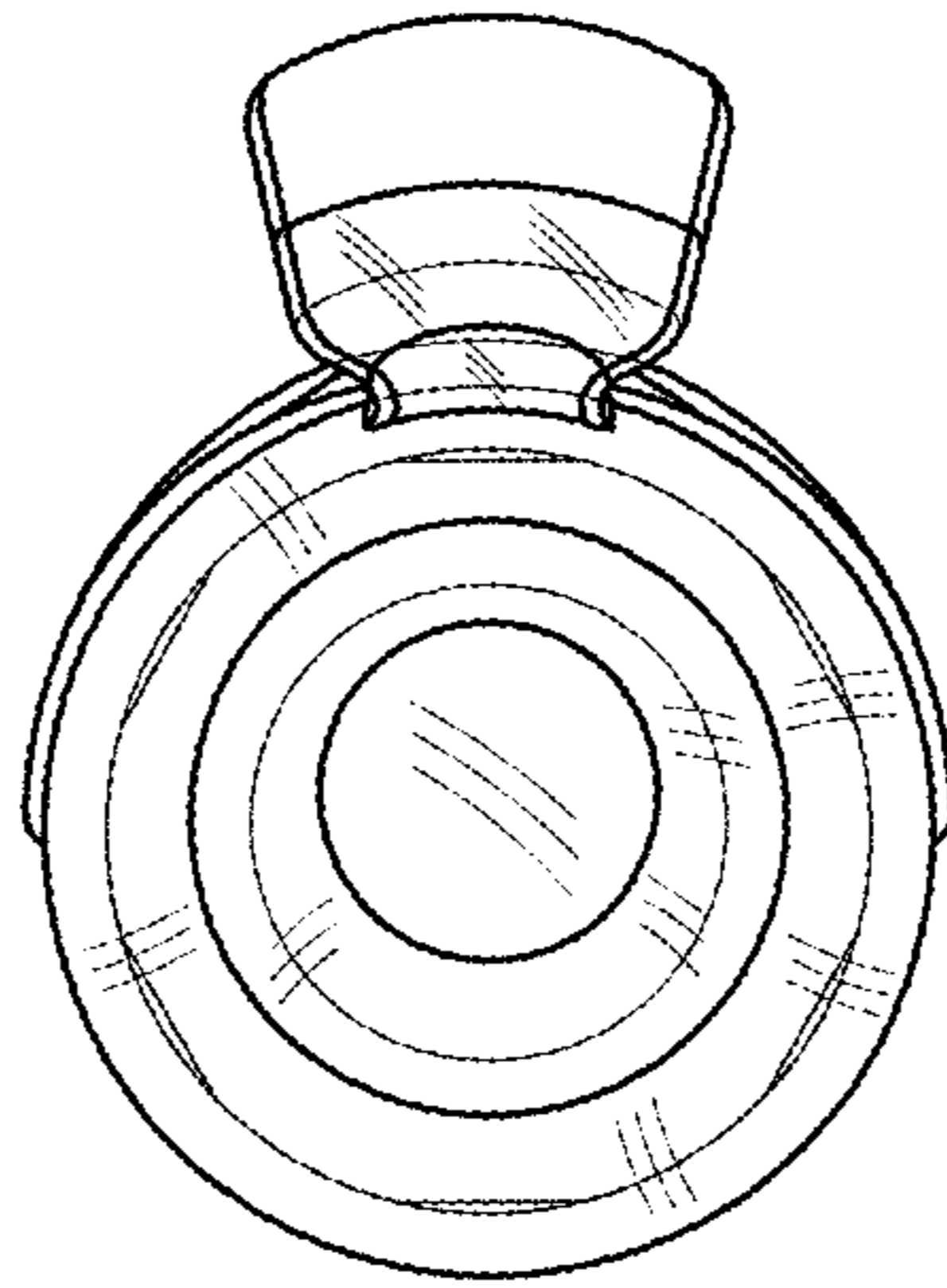


FIG. 6



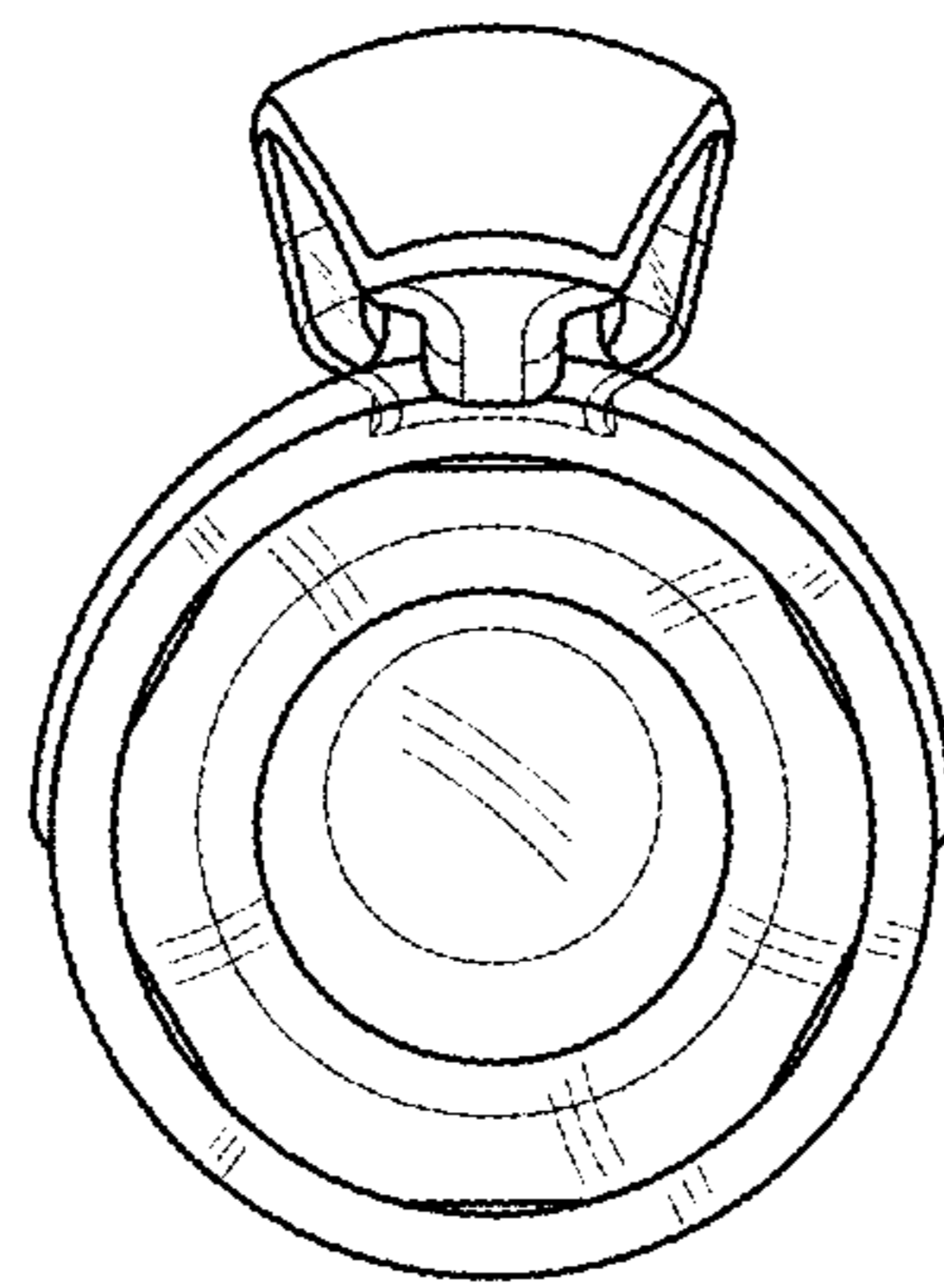


FIG. 7

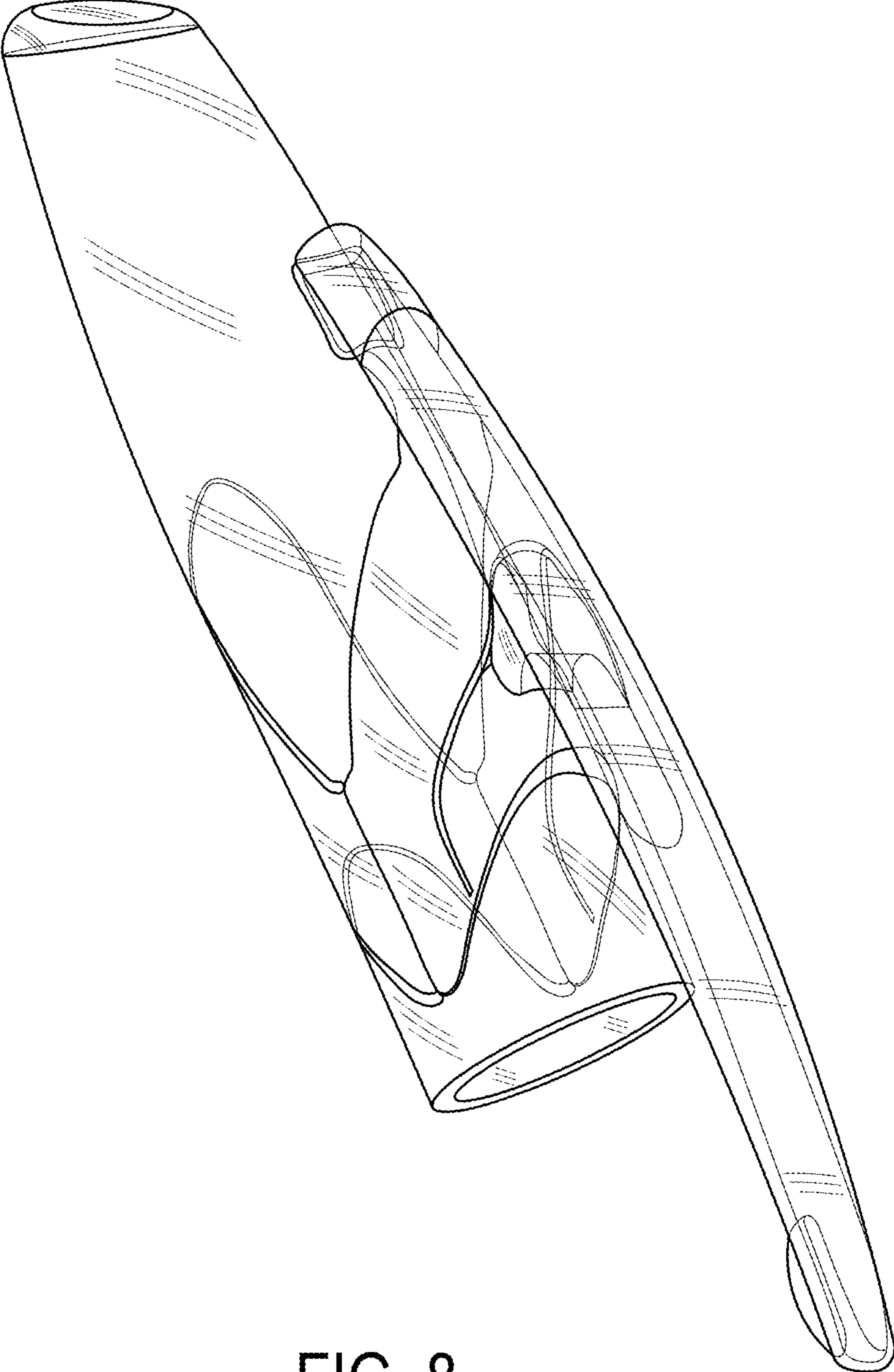


FIG. 8

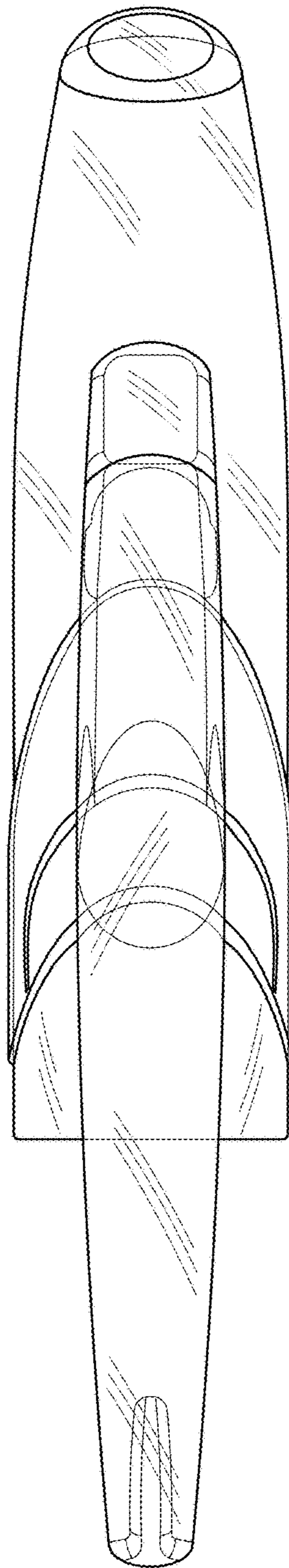


FIG. 9

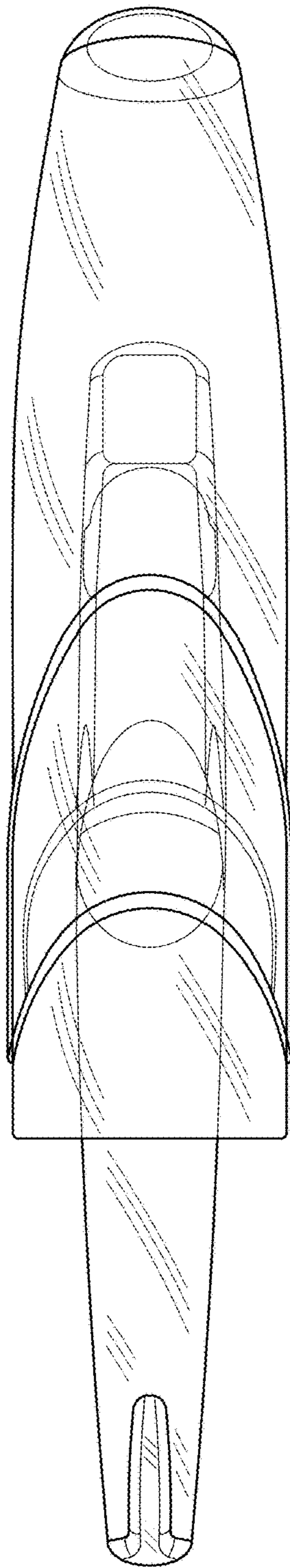


FIG. 10

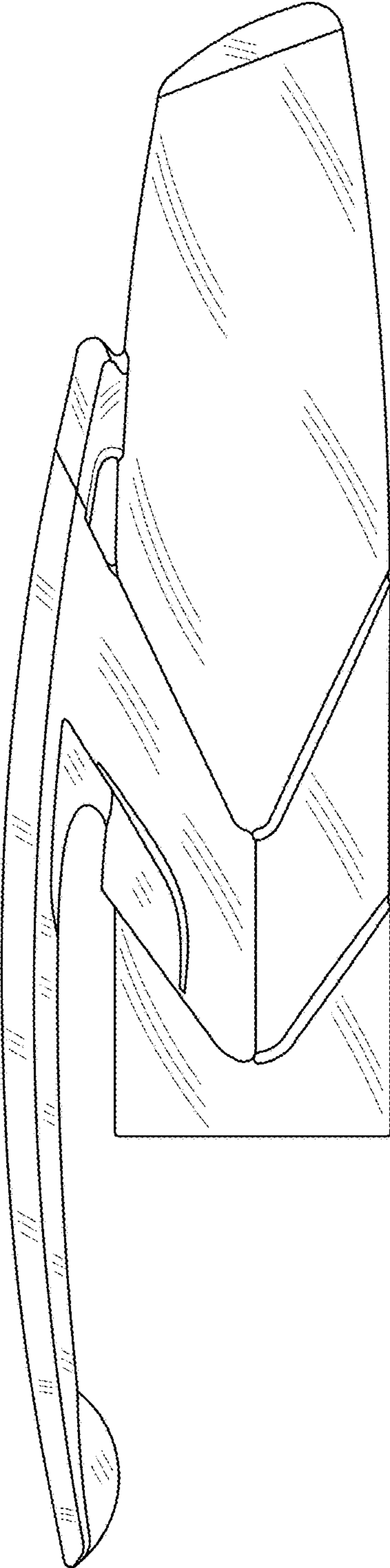


FIG. 11

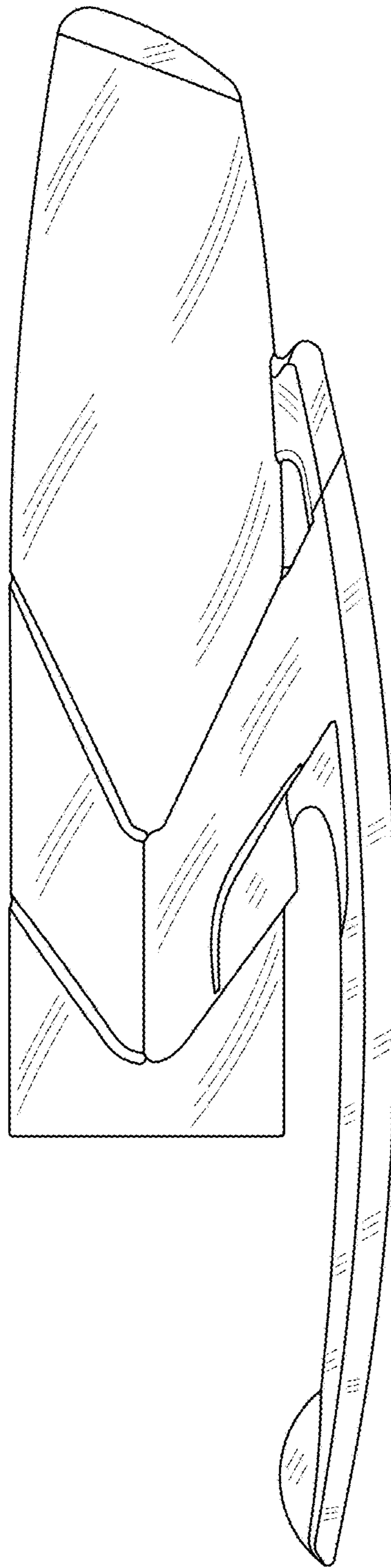


FIG. 12

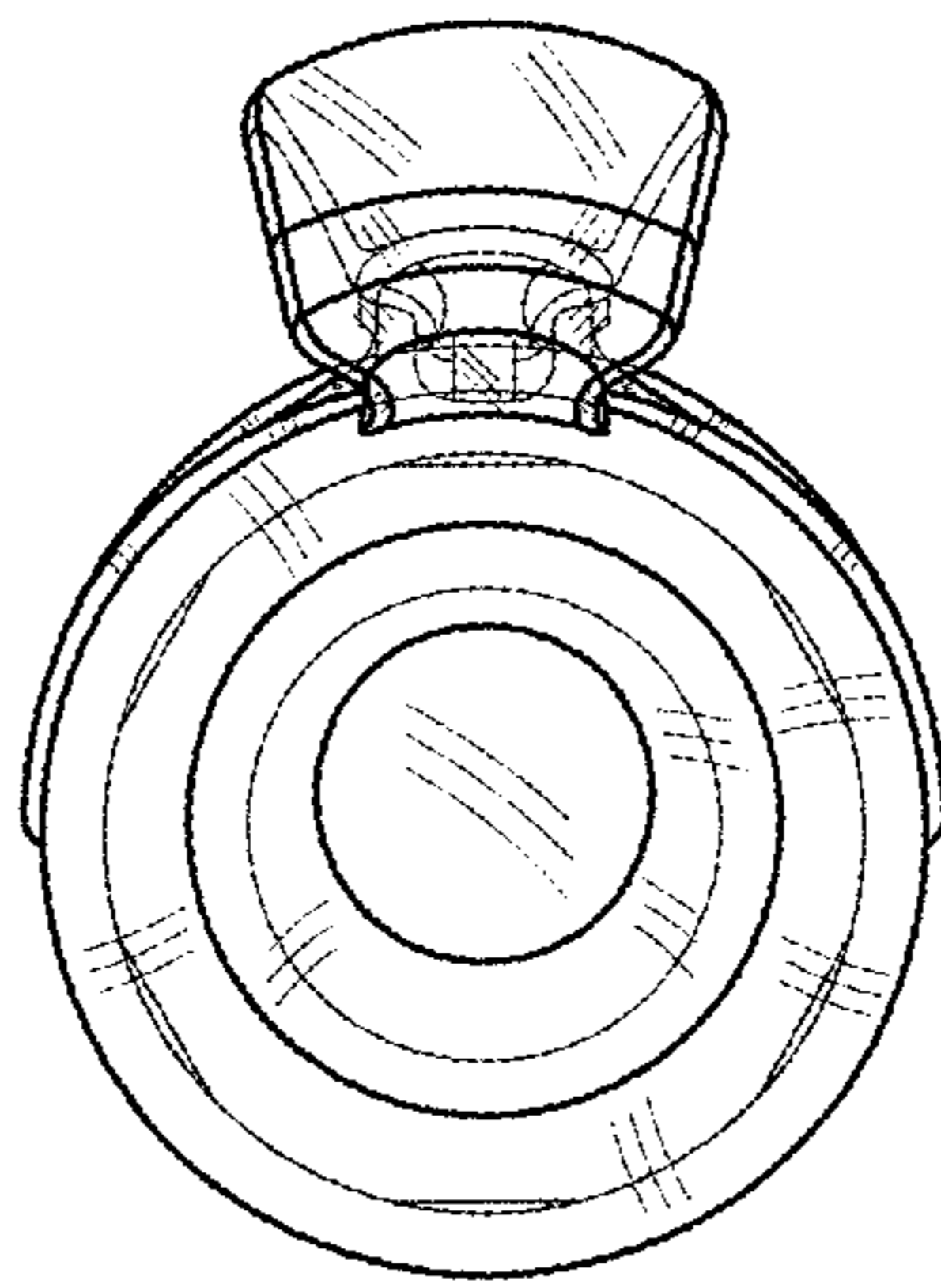


FIG. 13



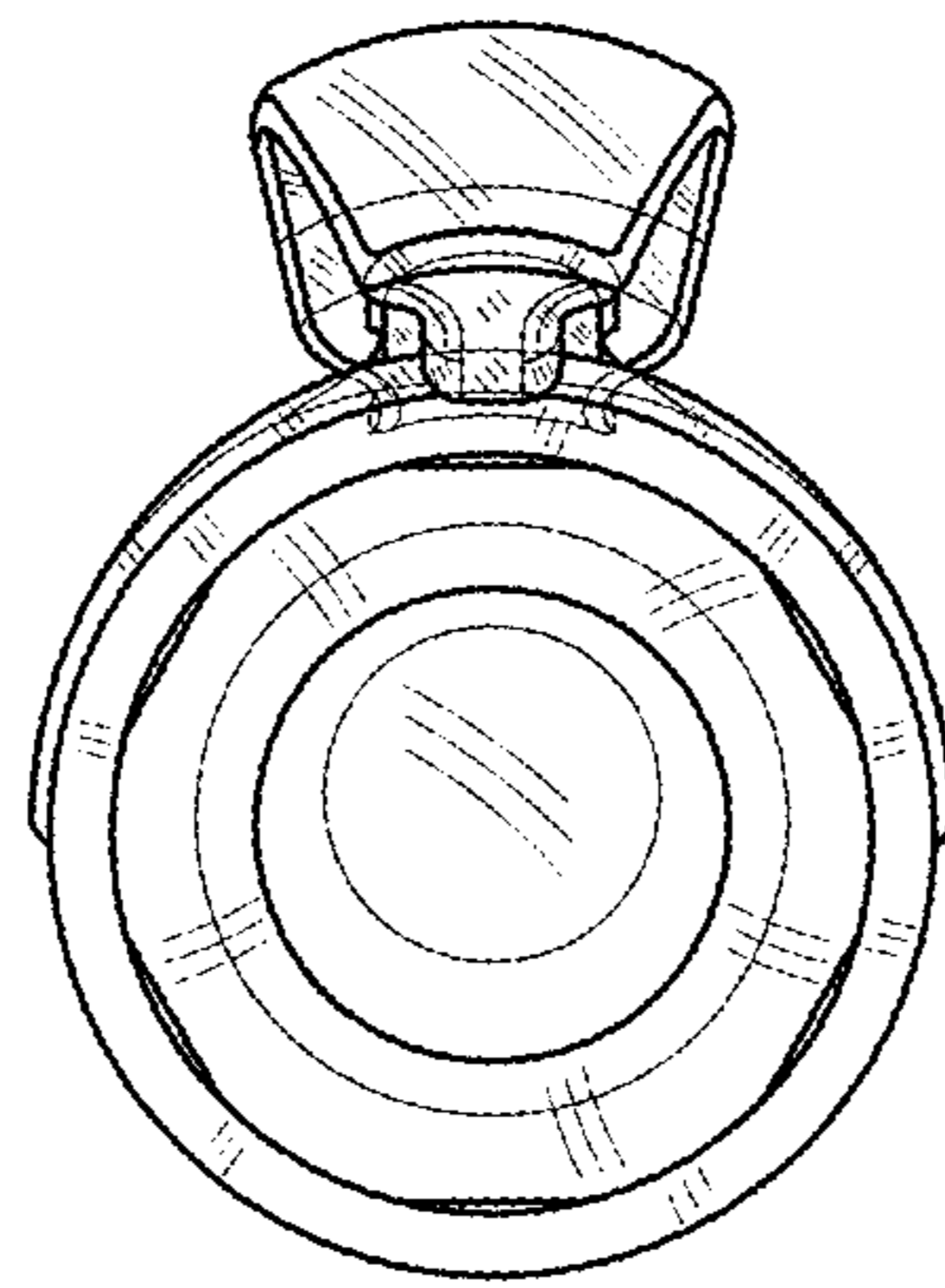


FIG. 14