



US00D813943S

(12) **United States Design Patent**  
**Kucher**

(10) **Patent No.:** **US D813,943 S**  
(45) **Date of Patent:** **\*\* Mar. 27, 2018**

(54) **MODULAR GREETING CARD**

(71) Applicant: **Blingbebe Greetings**, Plamondon (CA)

(72) Inventor: **Betty Ann Kucher**, Plamondon (CA)

(73) Assignee: **Blingbebe Greetings**, Plamondon (CA)

(\*\*) Term: **15 Years**

(21) Appl. No.: **29/583,033**

(22) Filed: **Nov. 1, 2016**

(51) **LOC (11) Cl.** ..... **19-01**

(52) **U.S. Cl.**  
USPC ..... **D19/1**

(58) **Field of Classification Search**  
USPC ..... D19/1-8, 82, 100; 40/124.01-124.15,  
40/582, 540, 443, 442, 902, 672, 617,  
(Continued)

(56) **References Cited**

U.S. PATENT DOCUMENTS

D373,382 S \* 9/1996 Nielsen ..... D19/1  
D374,035 S \* 9/1996 Nielsen ..... D19/1  
(Continued)

*Primary Examiner* — Abraham Bahta

(74) *Attorney, Agent, or Firm* — Robert A. Nissen

(57) **CLAIM**

The ornamental design for a modular greeting card, as shown and described.

**DESCRIPTION**

FIG. 1 is a front perspective view of a modular greeting card made up of four modules configured in an end-to-end arrangement;

FIG. 2 is a first end perspective view of the modular greeting card shown in FIG. 1;

FIG. 3 is a top plan view of the modular greeting card shown in FIG. 1, with the bottom plan view being a mirror image of the top plan view;

FIG. 4 is a front perspective view of the modular greeting card with the four modules configured in a square arrangement;

FIG. 5 is a top perspective view of the modular greeting card shown in FIG. 4;

FIG. 6 is a first side view of the modular greeting card shown in FIG. 4, the second side view being identical to the first side view;

FIG. 7 is a first end view of the modular greeting card shown in FIG. 4, the second end view being identical to the first end view;

FIG. 8 is a top plan view of the modular greeting card shown in FIG. 4, the bottom plan view being identical to the top plan view;

FIG. 9 is a first side view of the modular greeting card, showing a single module, the second side view being a mirror image of the first side view;

FIG. 10 is a first end view of the modular greeting card shown in FIG. 9, the second end view being identical to the first end view;

FIG. 11 is a top plan view of the modular greeting card shown in FIG. 9, the bottom plan view being a mirror image of the top plan view;

FIG. 12 is a first side view of the modular greeting card, showing a single module, with the second side view being a mirror image of the first side view.

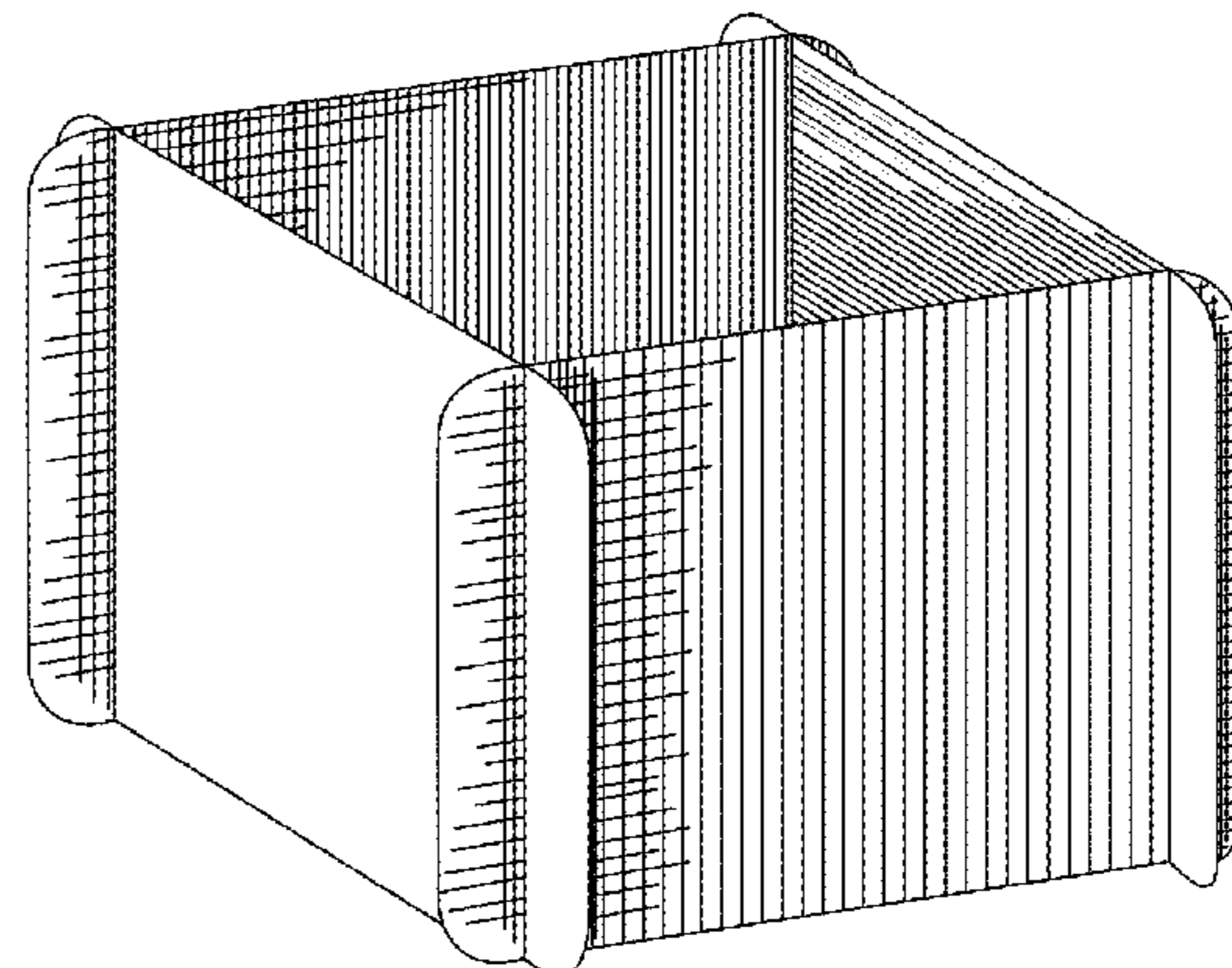
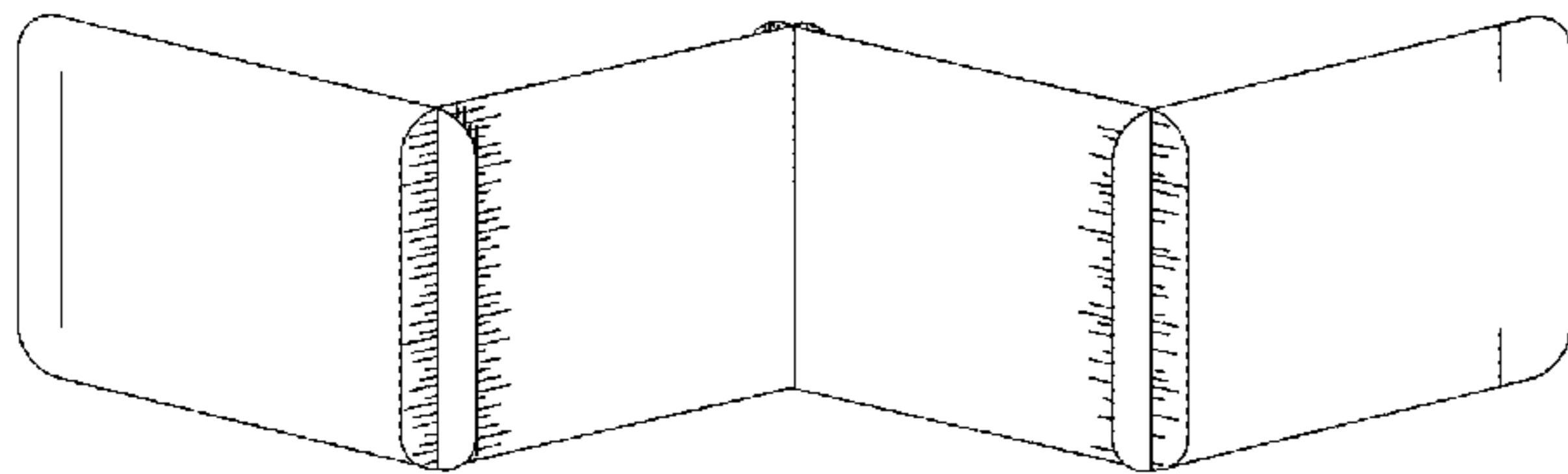
FIG. 13 is a first end view of the modular greeting card shown in FIG. 12, the second end view being identical to the first end view; and,

FIG. 14 is a top plan view of the modular greeting card shown in FIG. 12, the bottom plan view being a mirror image of the top plan view.

The breakaway portions indicate the modular greeting card has no specific length and width. The appearance of any portions of the article between the break lines forms no part of the claimed design.

The broken line showing of portions of the claimed design in FIG. 12 is included for the purpose of illustrating environmental structure and forms no part of the claimed design.

**1 Claim, 5 Drawing Sheets**



(58) **Field of Classification Search**

USPC ..... 40/599, 331, 359, 360, 625, 717, 455,  
40/124.191; 446/147; 362/806, 808;  
428/42.1, 203-204, 913.3; 283/2-4,  
283/74-75, 91, 103, 105-106; D20/10,  
D20/22, 42, 27, 40; 229/92, 92.1, 92.8,  
229/300-303; D11/131, 117; 206/449,  
206/308.3; D21/660  
CPC .... B42D 15/00; B42D 15/022; B42D 15/042;  
B42D 15/027; B42D 15/045; B42D  
2033/00; B42D 2033/02; B42D 2033/04;  
B42D 2033/08; B42D 2033/10; B42D  
2033/18; B42D 2033/20; B42D 2033/30;  
B43D 25/00; B43D 25/20; B43D 25/21;  
B43D 25/30; B43D 25/23; B43D 25/26;  
B43D 25/29; B43D 25/285

See application file for complete search history.

(56) **References Cited**

U.S. PATENT DOCUMENTS

D400,919 S *	11/1998	Pickel .....	D19/1
D420,699 S *	2/2000	Bartz .....	D19/1
D521,553 S *	5/2006	Sterman .....	D19/2
D608,825 S *	1/2010	Brett .....	D19/3
D616,930 S *	6/2010	Engel .....	D19/3
D629,458 S *	12/2010	Clegg .....	D19/1
D687,486 S *	8/2013	Worthington .....	D19/1

\* cited by examiner

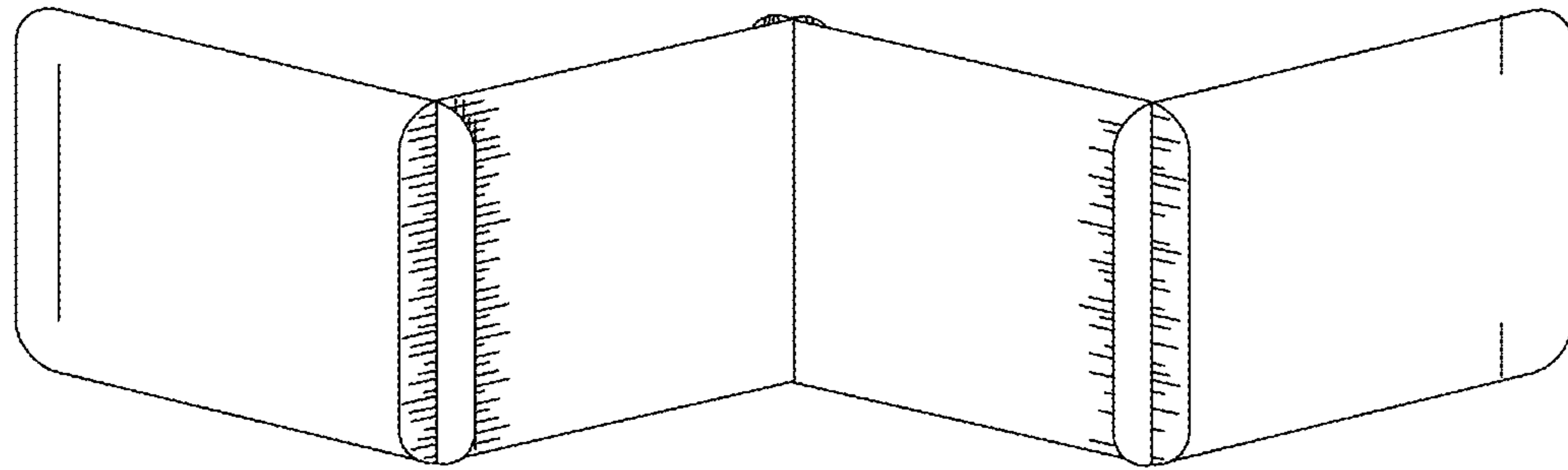


Fig. 1

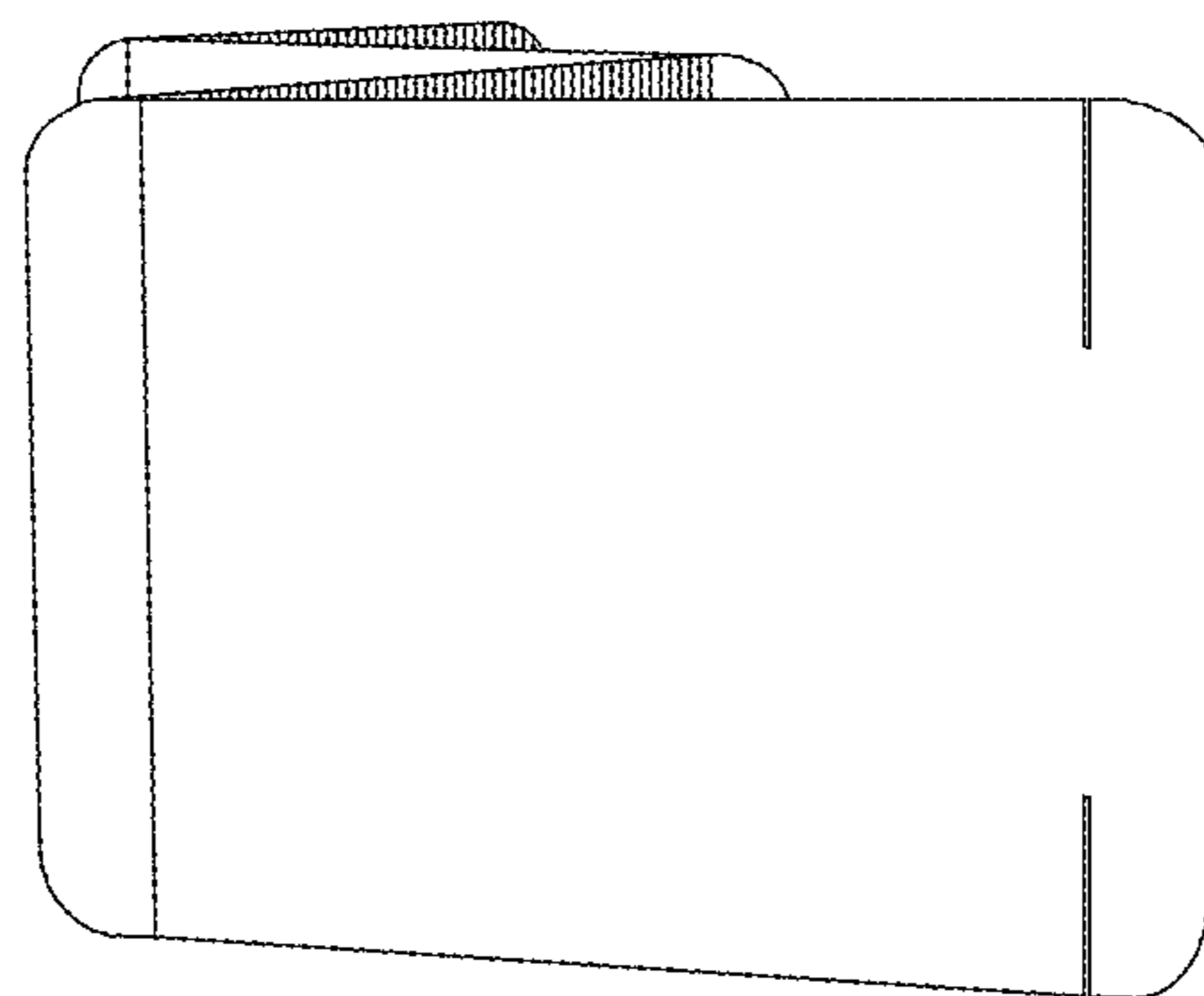


Fig. 2

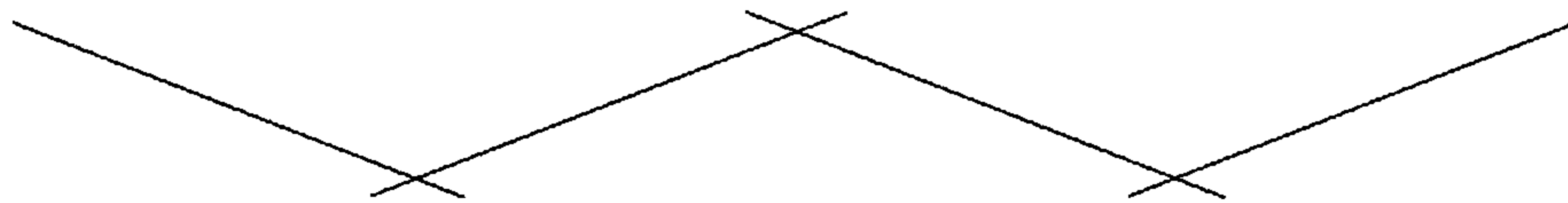


Fig. 3

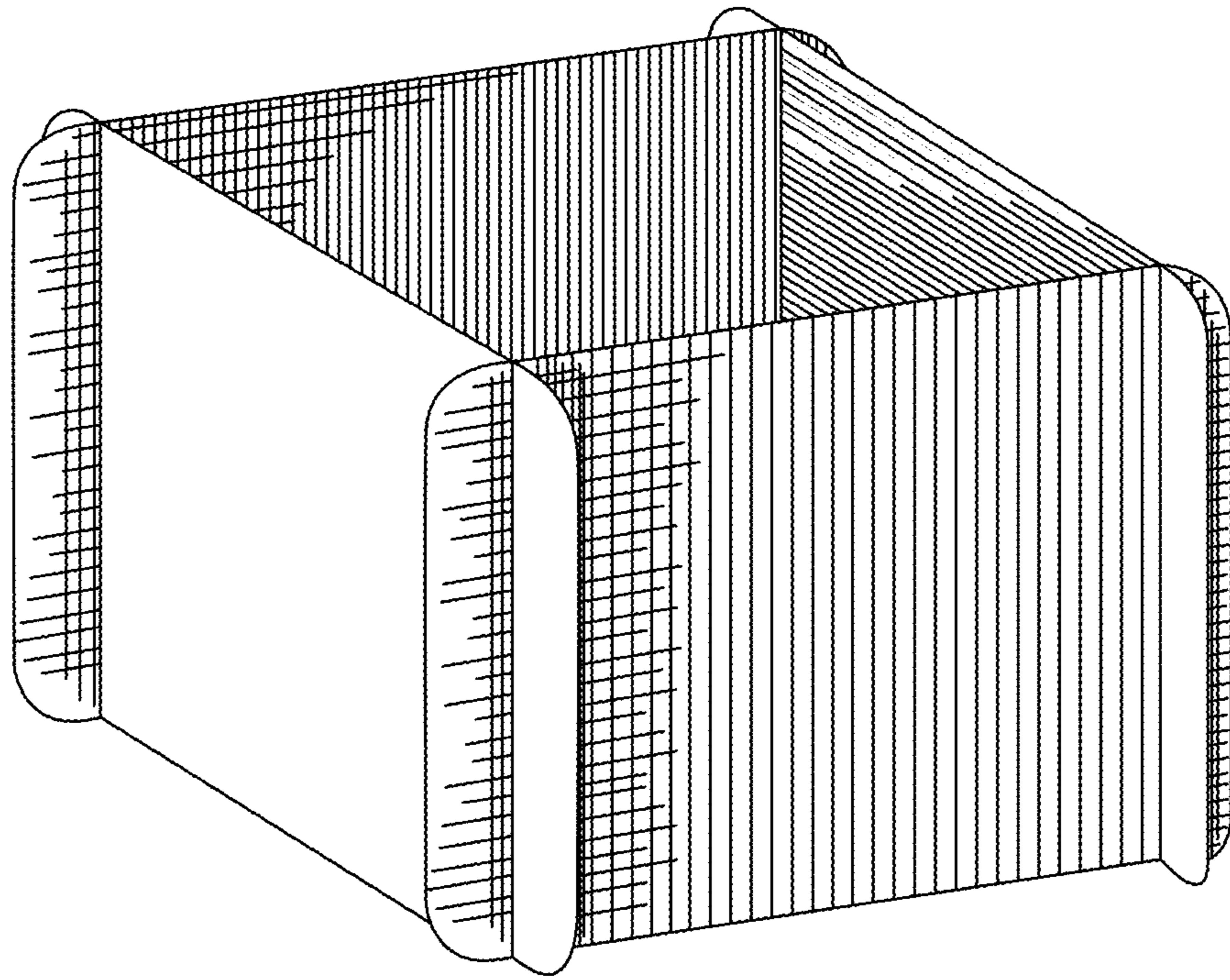


Fig. 4

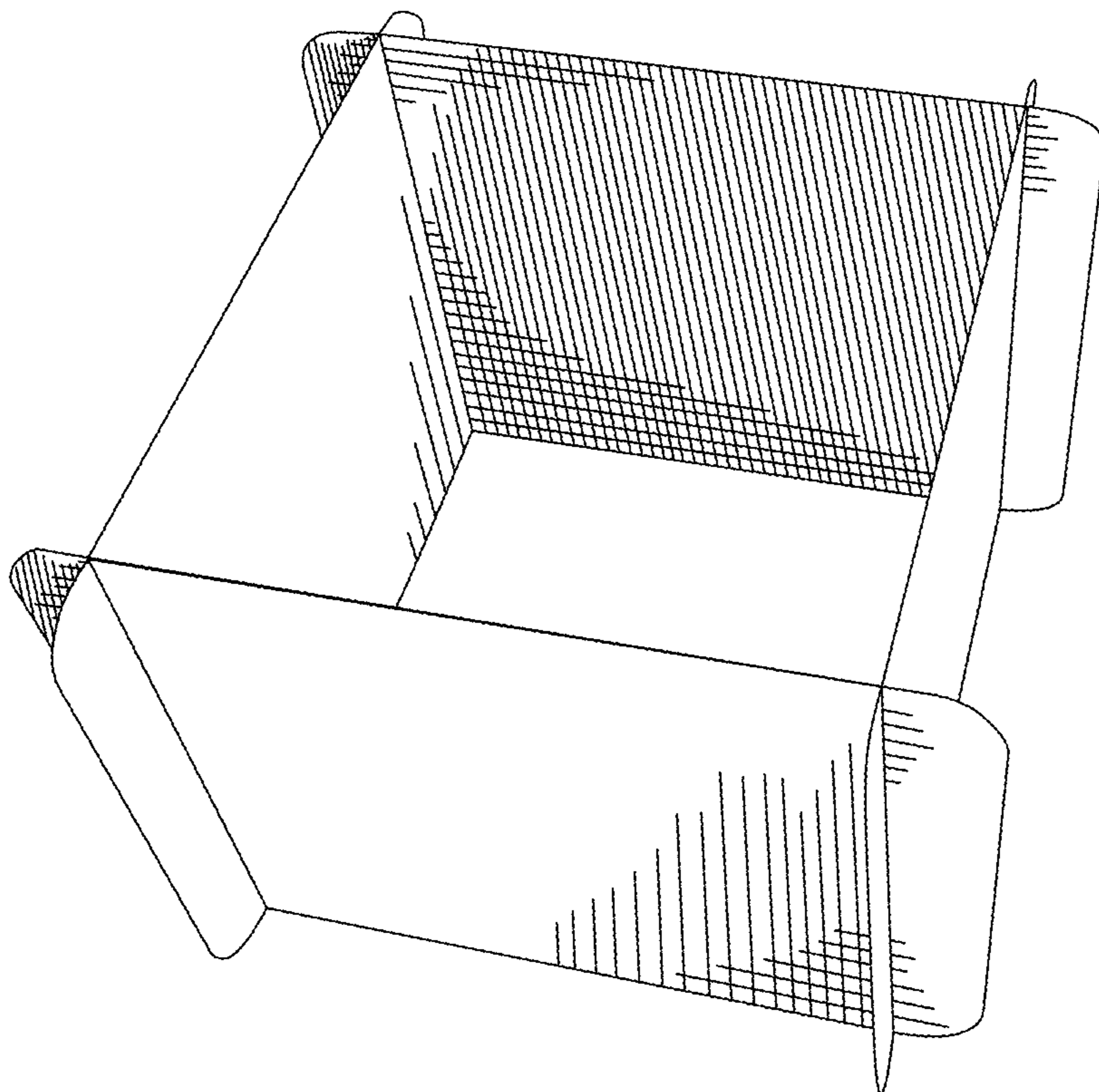


Fig. 5

Fig. 6

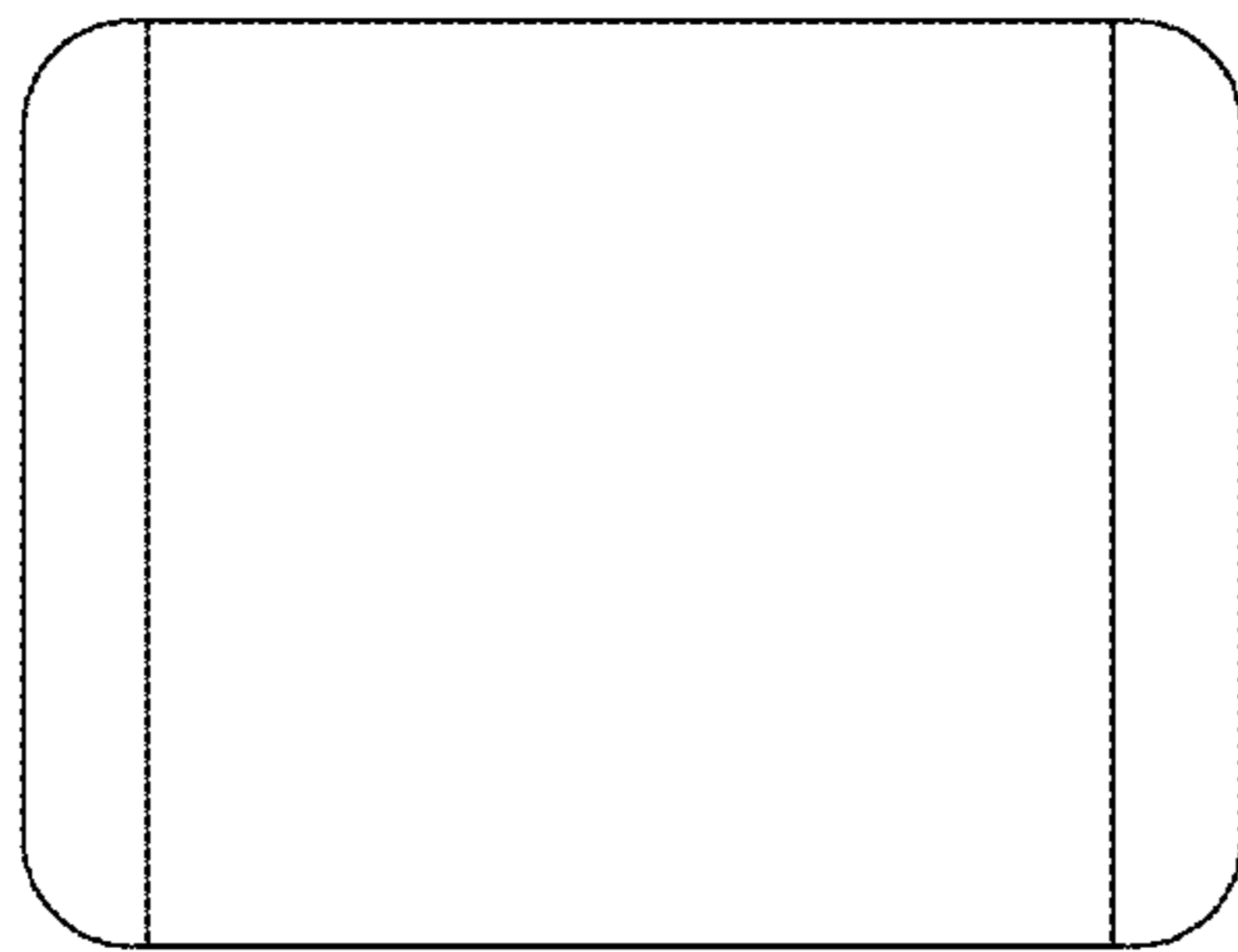
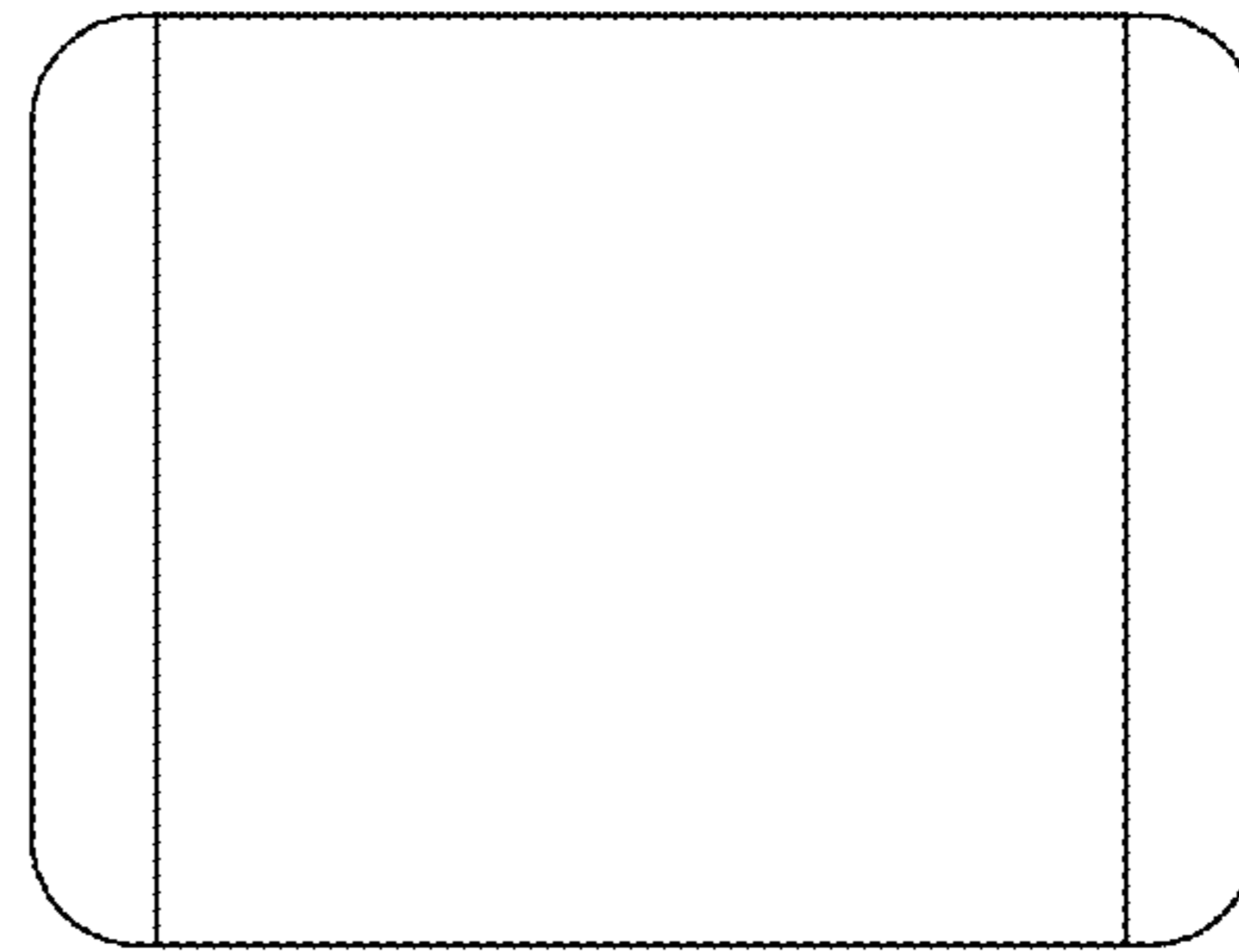
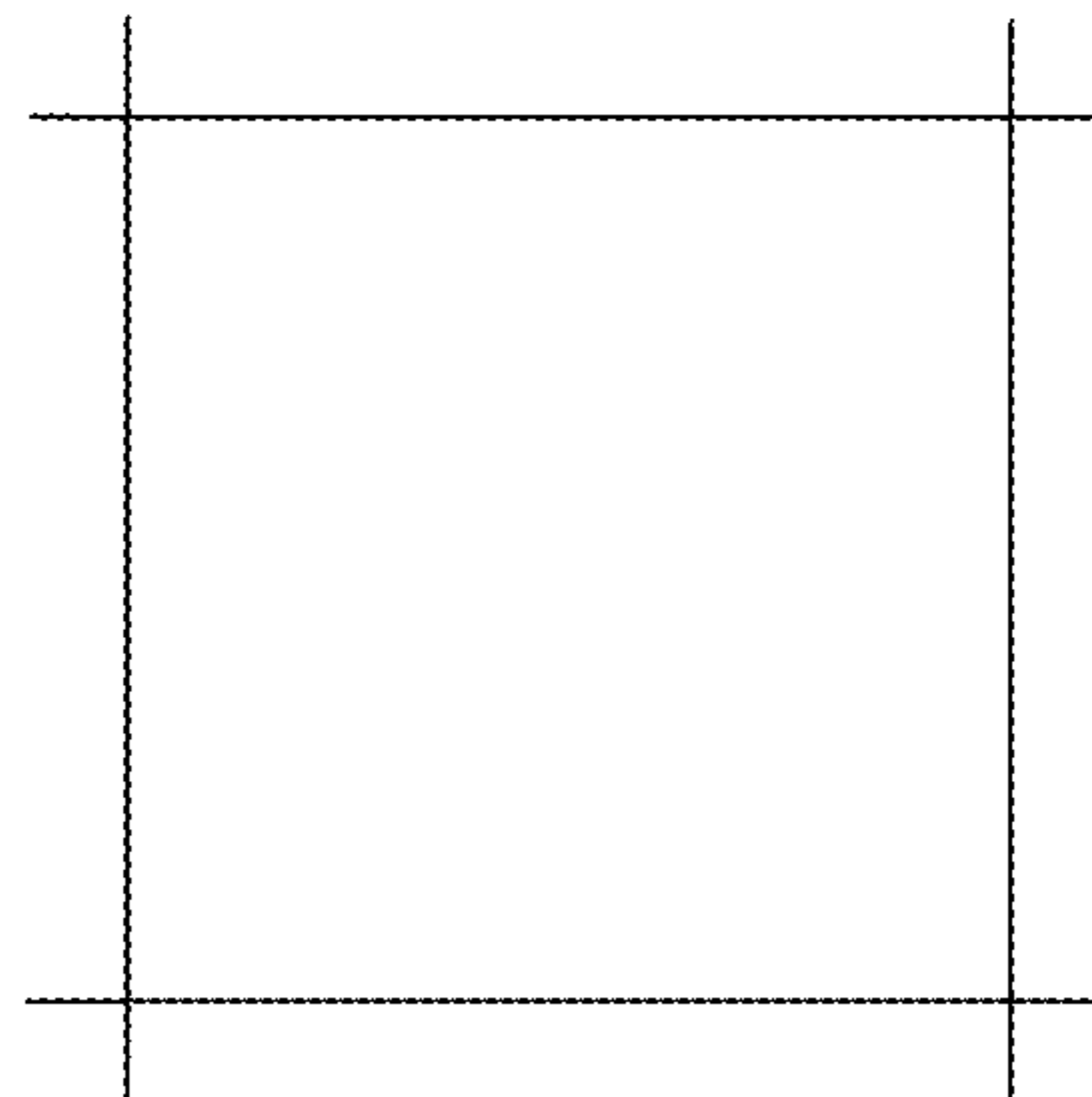


Fig. 7

Fig. 8



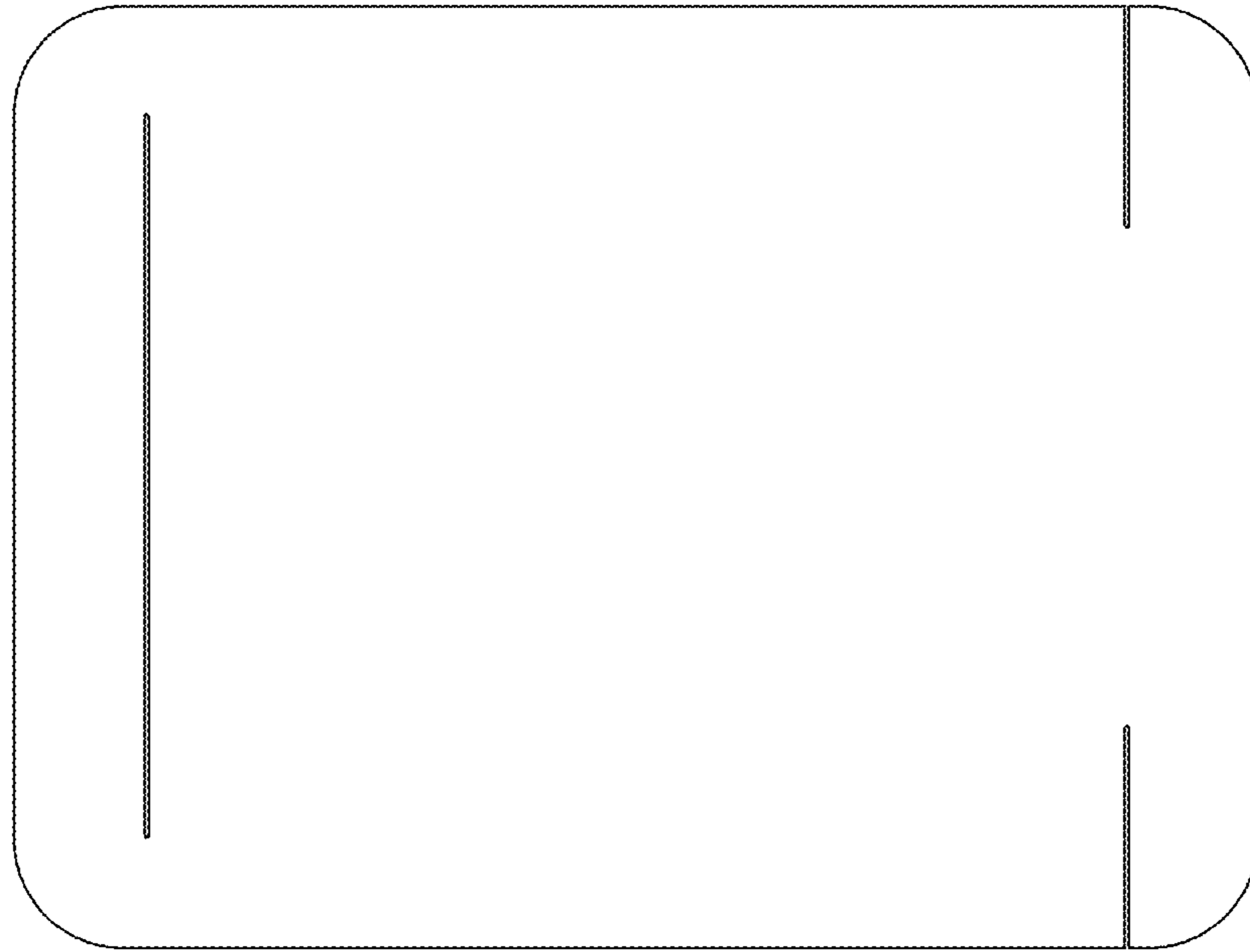


Fig. 9



Fig. 10



Fig. 11

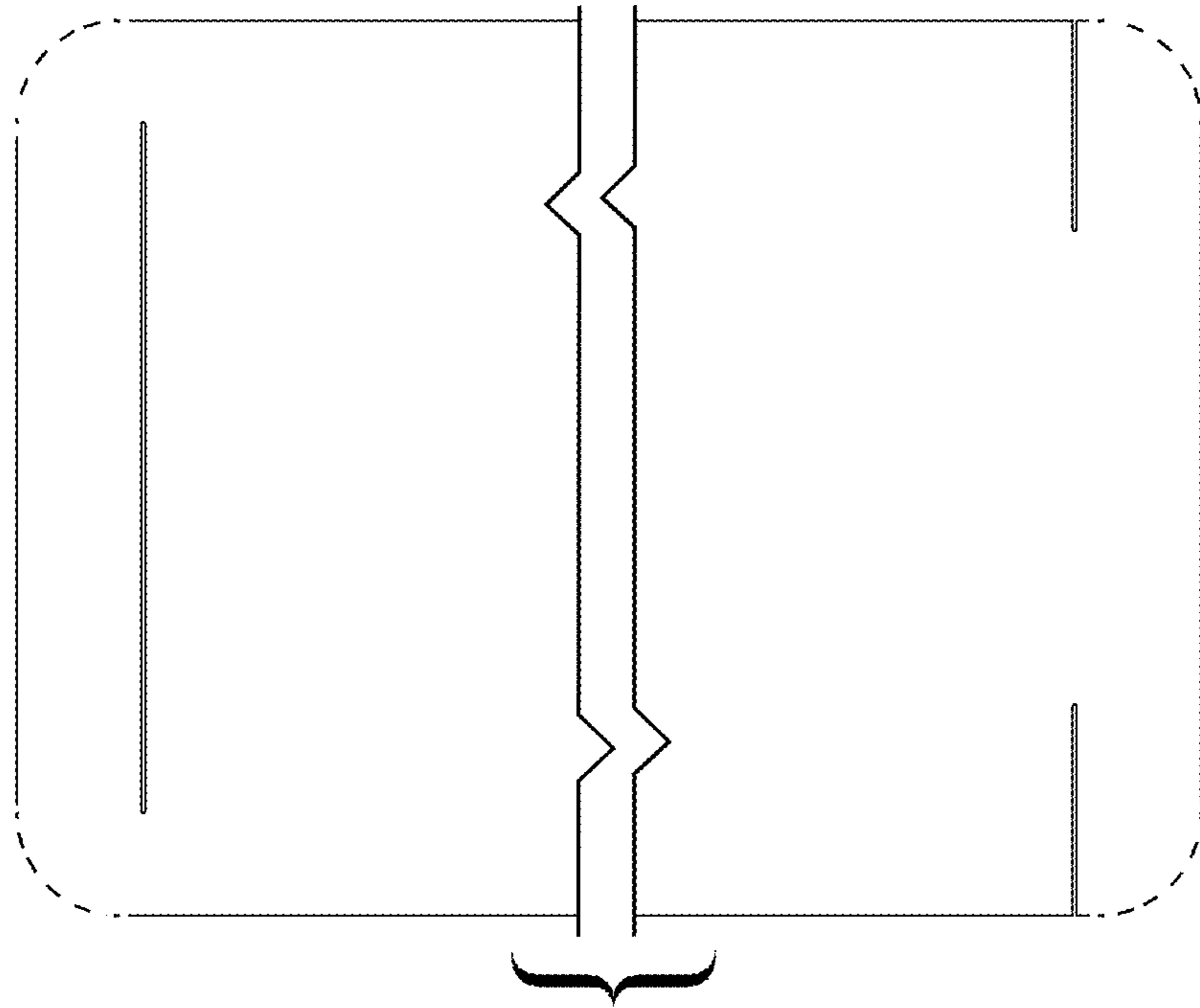


Fig. 12

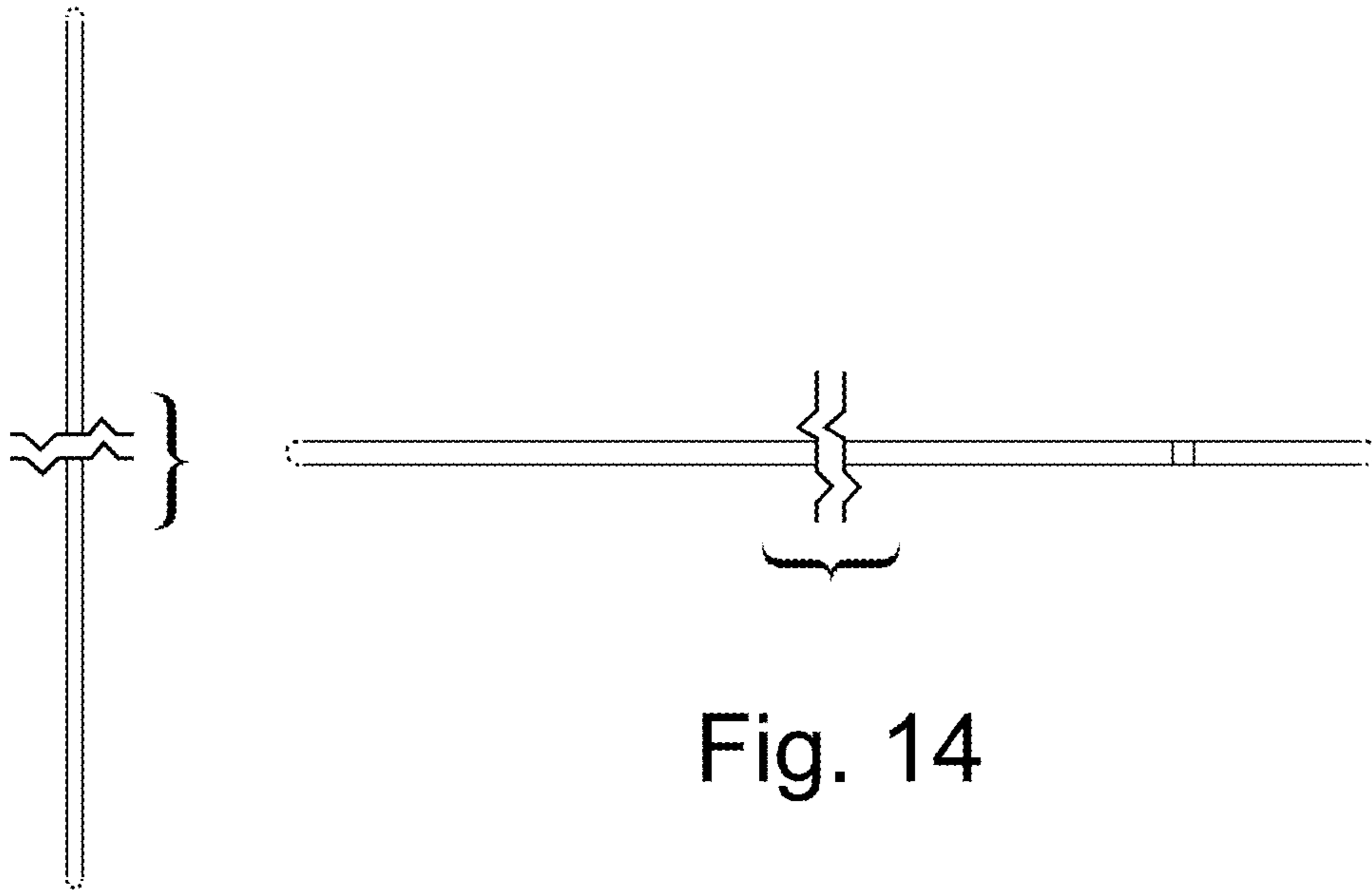


Fig. 13

Fig. 14