



US00D813941S

(12) **United States Design Patent**  
**Bertolin et al.**

(10) **Patent No.:** **US D813,941 S**  
(45) **Date of Patent:** **\*\* Mar. 27, 2018**

(54) **CAPSULE FOR DISPENSING FLOWABLE 3D PRINTING MEDIUM**

(71) Applicant: **NATURAL MACHINES, INC.**, Dover, DE (US)

(72) Inventors: **Adriana Bertolin**, Barcelona (ES);  
**Xavier Olivé**, Barcelona (ES);  
**Ching-Ju Kuo**, HsinChu (TW)

(73) Assignee: **NATURAL MACHINES, INC.**, Dover, DE (US)

(\*\*) Term: **14 Years**

(21) Appl. No.: **29/519,845**

(22) Filed: **Mar. 9, 2015**

(51) **LOC (11) Cl.** ..... **18-02**

(52) **U.S. Cl.**  
USPC ..... **D18/56**

(58) **Field of Classification Search**  
USPC ..... D8/14.1; D9/442, 500; D18/4.5, 4.6, 14,  
D18/19, 36-41, 49, 50, 54, 54.1, 56, 99;  
(Continued)

(56) **References Cited**

**U.S. PATENT DOCUMENTS**

2,776,661 A \* 1/1957 Molinari ..... A61M 5/3129  
604/218  
D283,832 S \* 5/1986 Weinstein ..... 222/108  
(Continued)

**FOREIGN PATENT DOCUMENTS**

WO 2014/190168 A1 11/2014

**OTHER PUBLICATIONS**

3D Food Printing System Bocusini, dated May 15, 2015, [online], [site visited Nov. 22, 2016]. Available from Internet, <URL: https://www.youtube.com/watch?v=a18RTHB-KnY>.\*

(Continued)

*Primary Examiner* — Thomas Johannes

*Assistant Examiner* — Shawn T Gingrich

(74) *Attorney, Agent, or Firm* — Westerman, Hattori, Daniels & Adrian, LLP

(57) **CLAIM**

The ornamental design for a capsule for dispensing flowable 3D printing medium, as shown and described.

**DESCRIPTION**

FIG. 1 is an isometric view of a capsule for dispensing flowable 3D printing medium showing a first embodiment of our new design.

FIG. 2 is a front elevational view of the capsule for dispensing flowable 3D printing medium thereof, the real, left side, and right side elevational views being identical thereto.

FIG. 3 is a top plan view of the capsule for dispensing flowable 3D printing medium thereof.

FIG. 4 is a bottom plan view of the capsule for dispensing flowable 3D printing medium thereof.

FIG. 5 is an isometric view of a capsule for dispensing flowable 3D printing medium showing a second embodiment of our new design.

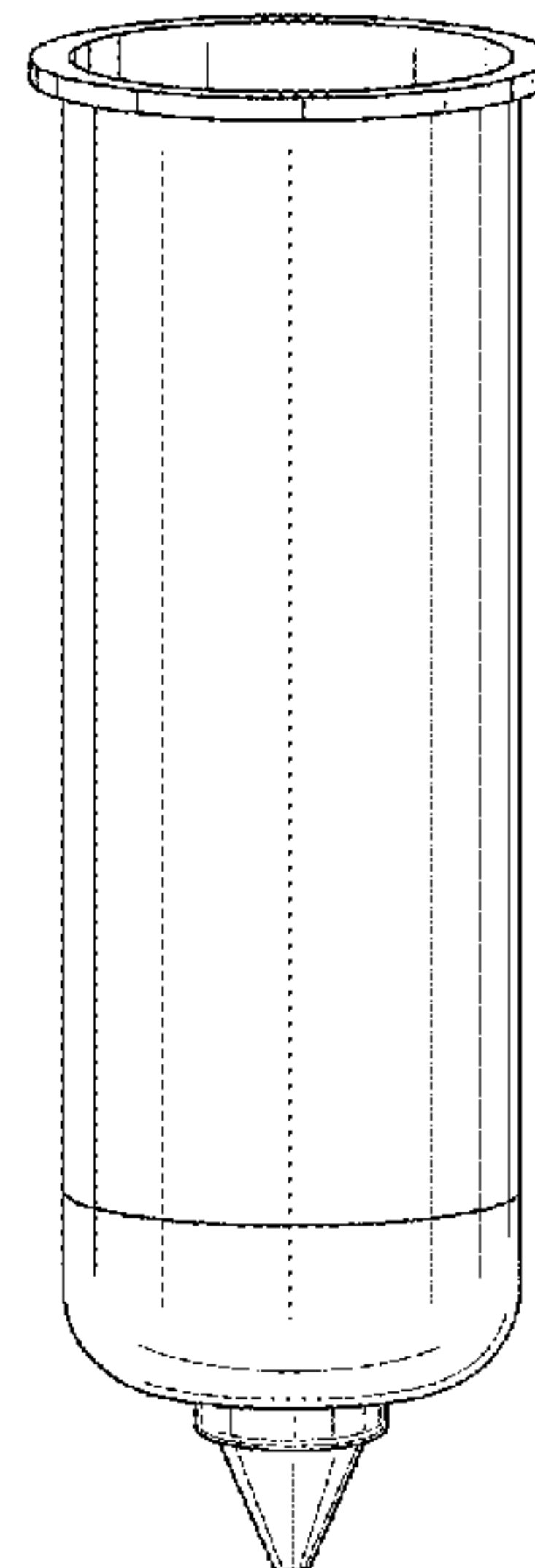
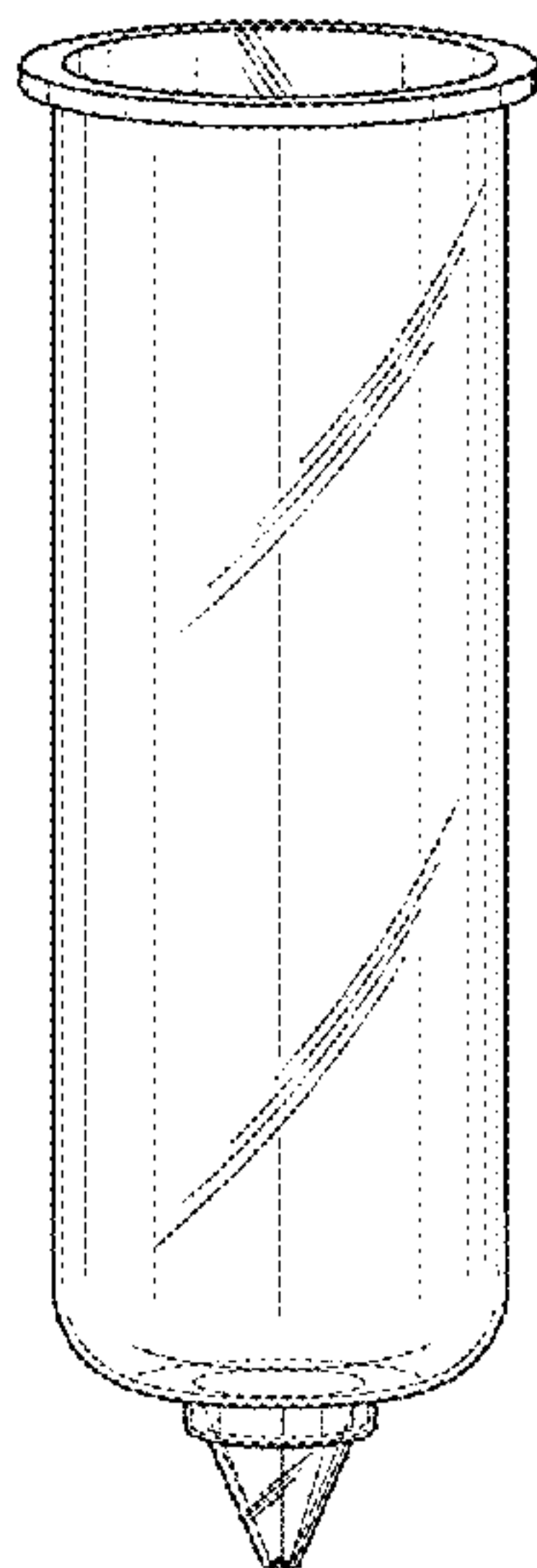
FIG. 6 is a front elevational view of the capsule for dispensing flowable 3D printing medium thereof, the real, left side, and right side elevational views being identical thereto.

FIG. 7 is a top plan view of the capsule for dispensing flowable 3D printing medium thereof; and,

FIG. 8 is a bottom plan view of the capsule for dispensing flowable 3D printing medium thereof.

The portions of the capsule for dispensing flowable 3D printing medium shown in broken lines form no part of the claimed design.

**1 Claim, 2 Drawing Sheets**



(58) **Field of Classification Search**

USPC ..... D15/122, 126, 138; D24/112, 130, 224;  
D7/387, 397, 398, 589

CPC ... A23P 1/08; B29C 67/00; B41J 13/10; B41J  
29/00; B41J 29/02; B41J 29/18; G06F  
3/12; G03G 21/16; G03G 15/00

See application file for complete search history.

D646,132 S \* 10/2011 Lian ..... D8/14.1  
D657,462 S \* 4/2012 Siroky ..... D24/130  
D660,717 S \* 5/2012 Nickel ..... D9/699  
8,418,891 B1 \* 4/2013 Harris ..... A23G 3/28  
222/333  
D733,871 S \* 7/2015 Wilcox ..... D24/117  
D740,412 S \* 10/2015 Strong ..... D24/130  
D747,799 S \* 1/2016 Norton ..... D24/130  
D773,042 S \* 11/2016 Hwang ..... D24/130  
2007/0287965 A1 \* 12/2007 Strong ..... B05C 17/00576  
604/218  
2008/0033367 A1 \* 2/2008 Haury ..... B29B 11/14  
604/187

(56) **References Cited**

U.S. PATENT DOCUMENTS

4,869,403 A \* 9/1989 Bruning ..... B65D 83/0005  
222/327  
D321,394 S \* 11/1991 Petrucci ..... D23/209  
D404,368 S \* 1/1999 Shimazu ..... D13/182  
D405,431 S \* 2/1999 Shimazu ..... D13/182  
D461,243 S \* 8/2002 Niedoospial, Jr. .... D24/130  
D491,066 S \* 6/2004 Le Goff ..... D9/500  
D517,878 S \* 3/2006 Van Swieten ..... D8/14.1  
D530,207 S \* 10/2006 Brandt ..... D9/500  
D553,254 S \* 10/2007 Colin ..... D24/224  
D584,751 S \* 1/2009 Schreck ..... D15/135  
D585,375 S \* 1/2009 Andre ..... D13/133  
D608,000 S \* 1/2010 Kawamura ..... D24/130  
D615,161 S \* 5/2010 Gerson ..... D23/249  
D616,985 S \* 6/2010 Ade ..... D24/130  
D630,337 S \* 1/2011 Chia ..... D24/224

OTHER PUBLICATIONS

Print you own Food, dated Dec. 10, 2013, [online], [site visited Nov. 22, 2016]. Available from Internet, <URL: <http://www.dailymail.co.uk/news/article-2521606/Print-food.html>>.\*  
This 3D Printer can print you a pancake of the Eiffel Tower, dated May 18, 2014, [online], [site visited Nov. 22, 2016]. Available from Internet, <URL: <http://3dprinting.com/3dprinters/3d-printer-can-print-pancake-eiffel-tower/>>.\*  
DIY 3D Printed Chocolate, dated Feb. 6, 2014, [online], [site visited Nov. 22, 2016]. Available from Internet, <URL: <https://www.youtube.com/watch?v=4-NYxo6tcjg>>.\*

\* cited by examiner

FIG.1

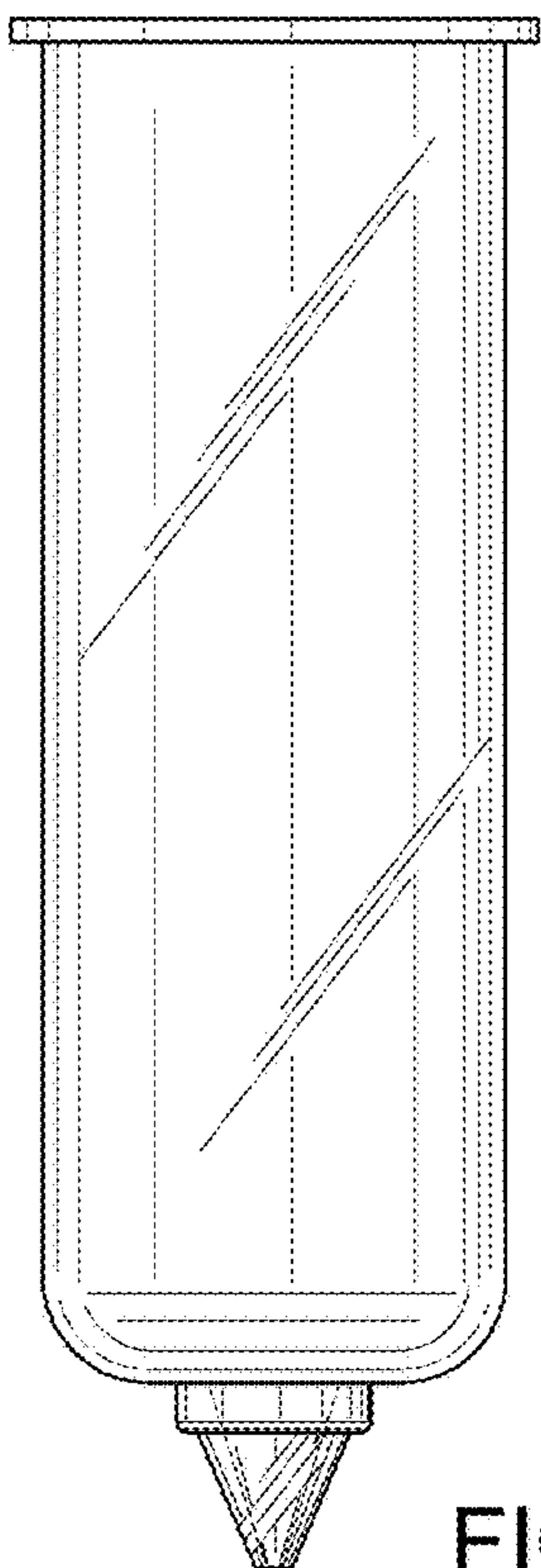
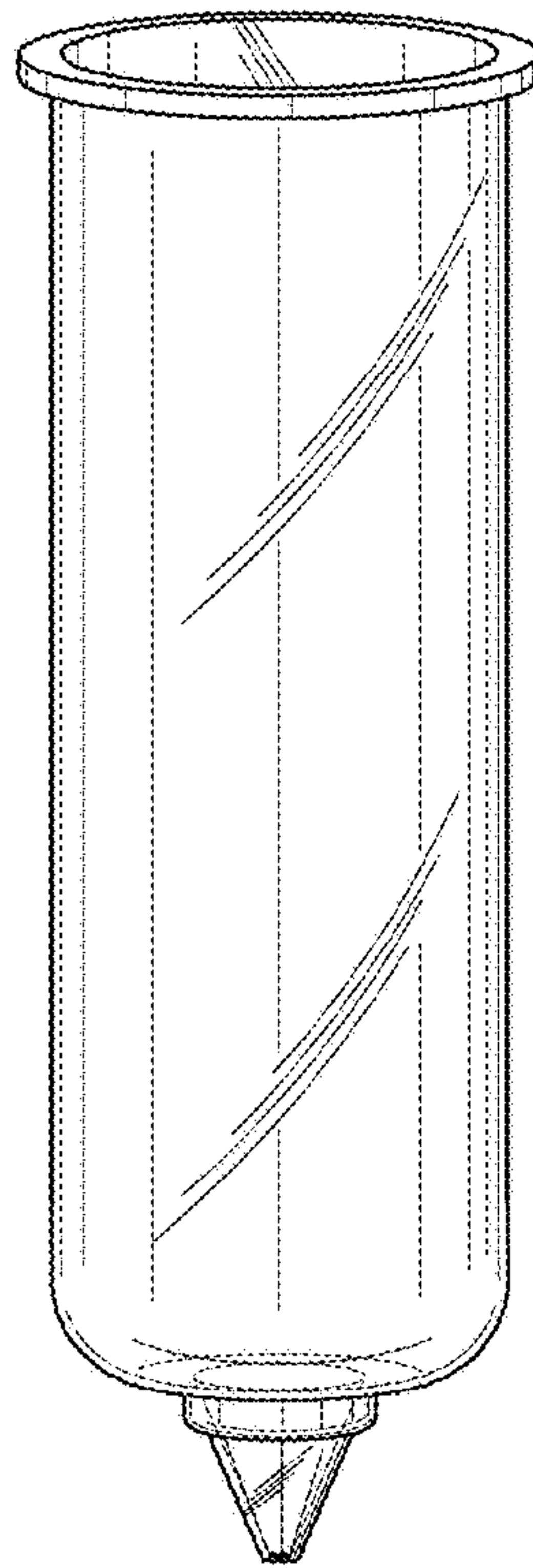


FIG.2

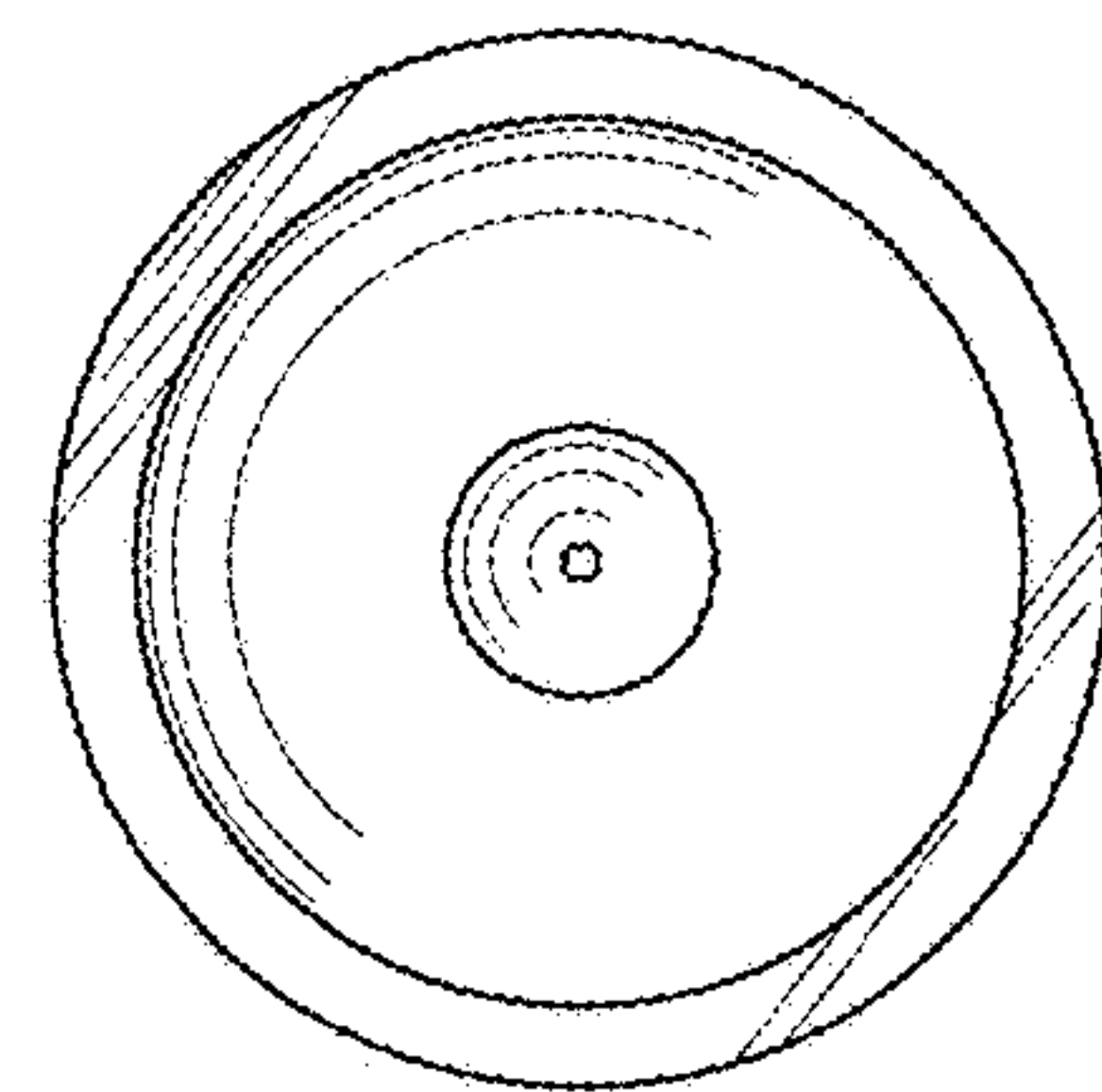


FIG.3

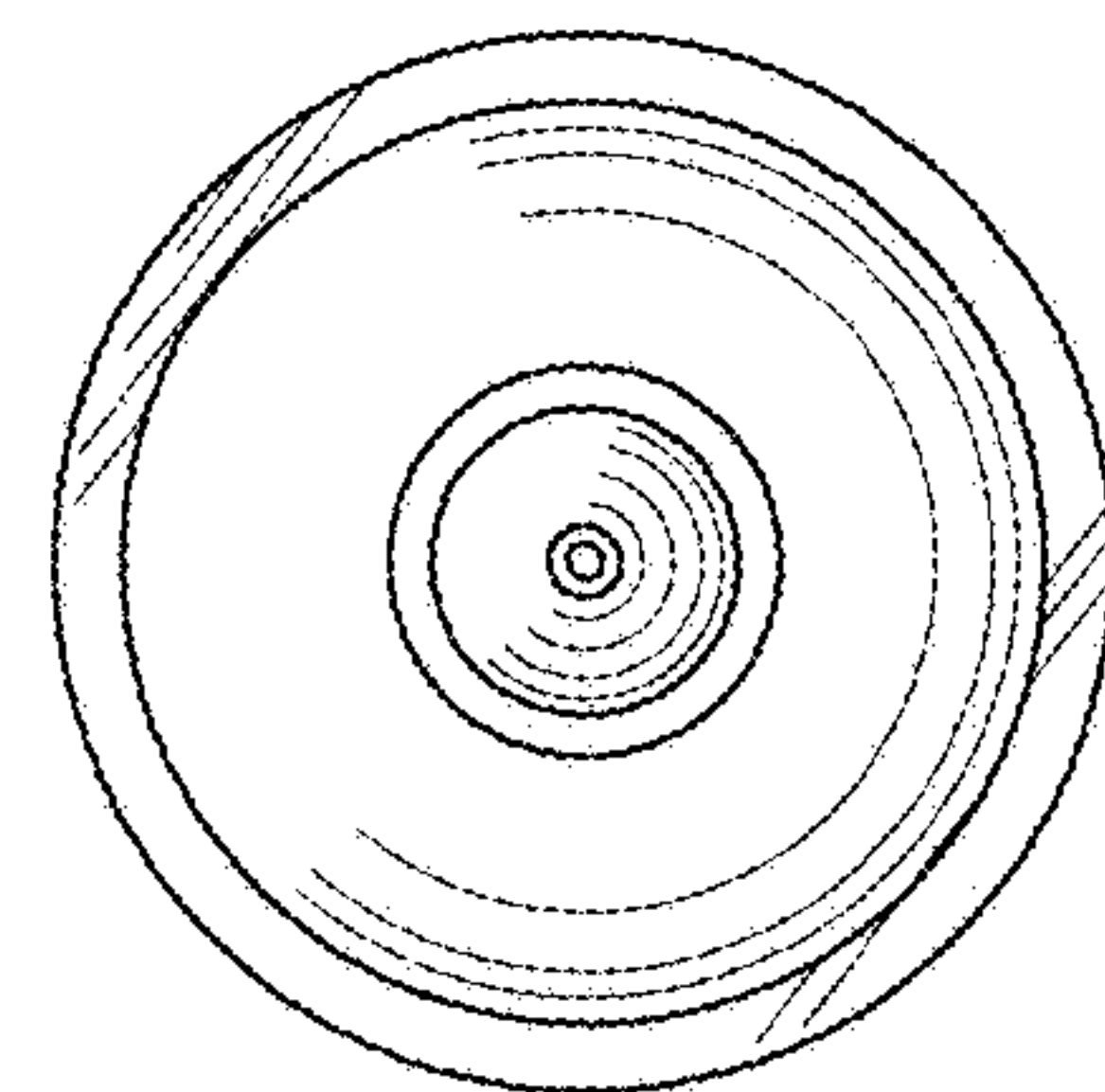


FIG.4

FIG.5

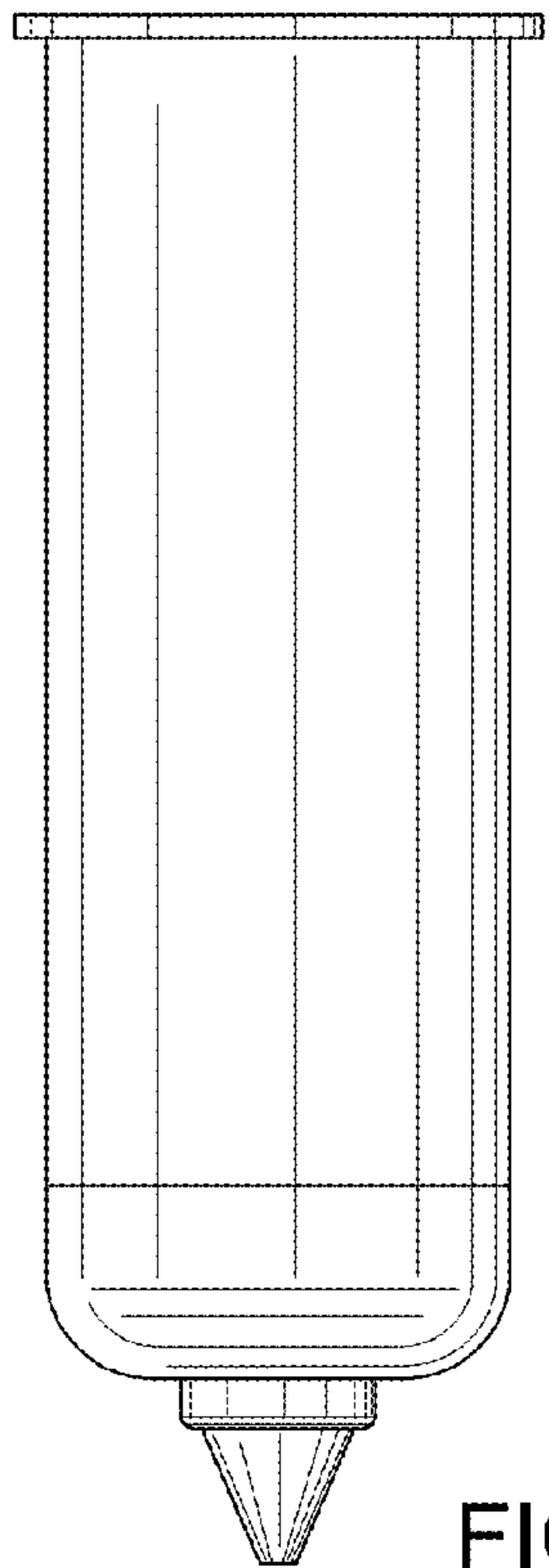
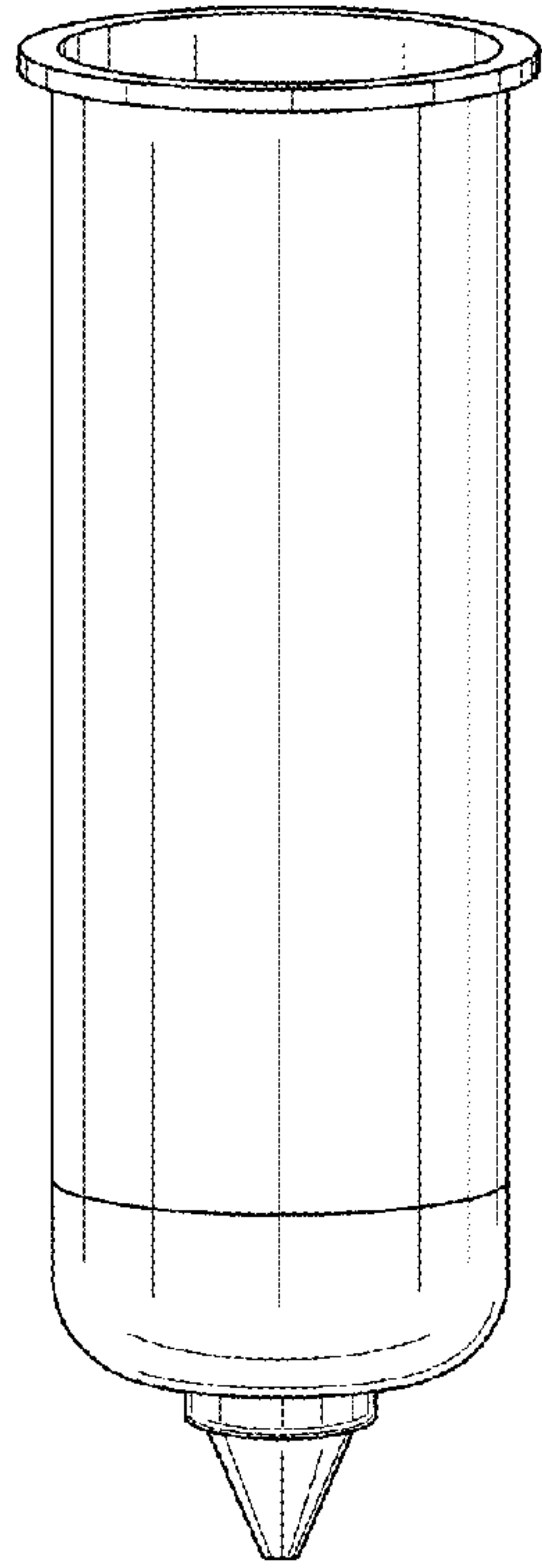


FIG.6

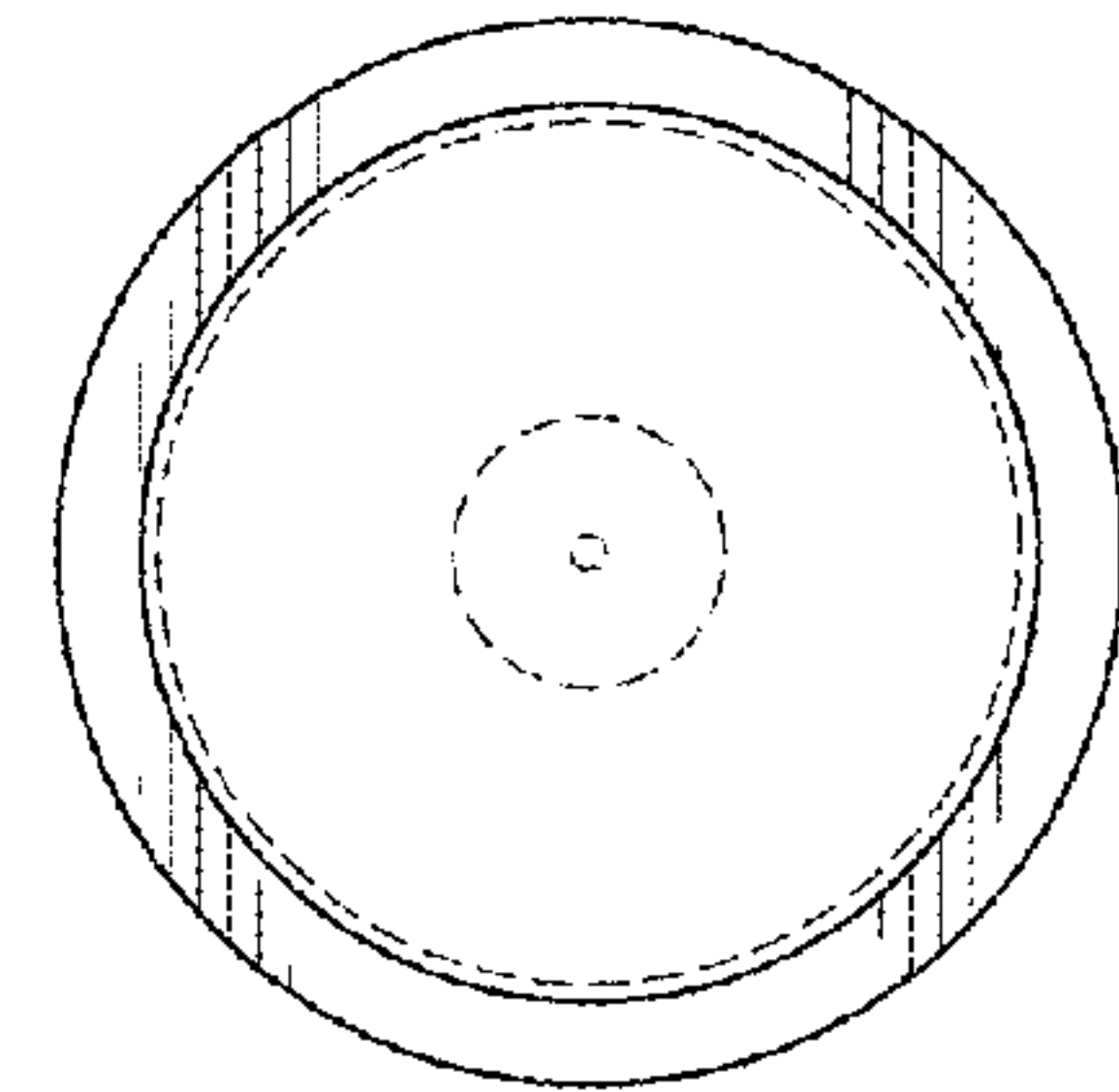


FIG.7

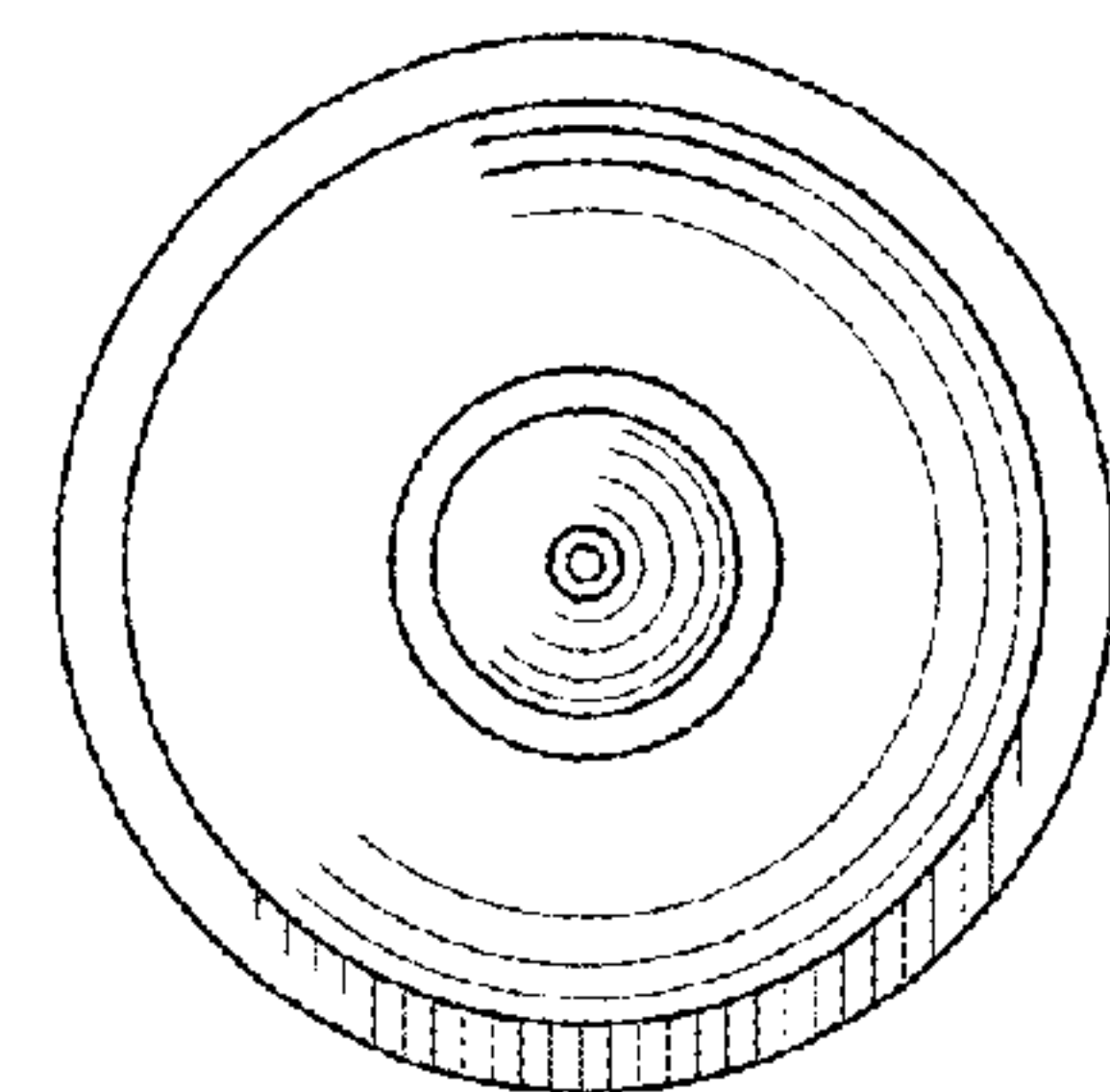


FIG.8