



US00D813935S

(12) **United States Design Patent** (10) **Patent No.:** **US D813,935 S**  
**Somers et al.** (45) **Date of Patent:** **\*\* Mar. 27, 2018**

(54) **HINGE FOR SPECTACLES**

FOREIGN PATENT DOCUMENTS

(71) Applicant: **Theo BVBA**, Antwerp (BE)

DE 202008011154 U1 1/2009  
EP 1548488 A1 6/2005  
TW WO2010020686 A1 2/2010

(72) Inventors: **Willem Somers**, Antwerp (BE); **Claude Rabut**, La Chaumusse (FR); **Pierre Verrier**, La Chaumusse (FR)

OTHER PUBLICATIONS

International Search Report dated Sep. 8, 2015.

(73) Assignee: **Theo BVBA**, Antwerp (BE)

*Primary Examiner* — Michael A Pratt

(\*\*) Term: **15 Years**

(74) *Attorney, Agent, or Firm* — Dinsmore & Shohl LLP

(21) Appl. No.: **35/500,521**

(57) **CLAIM**

(22) Filed: **Jul. 27, 2015**

We claim the ornamental design for a hinge for spectacles, as shown and described.

(80) **Hague Agreement Data**

**DESCRIPTION**

Int. Filing Date: **Jul. 27, 2015**

FIG. 1.1 is a bottom view of a first hinge for spectacles illustrating an embodiment of our new design, with a mirror image of FIG. 1.1 being the top view of a second hinge for spectacles;

Int. Reg. No.: **DM/088478**

FIG. 1.2 is a left side, top perspective view of the first hinge for spectacles illustrating an embodiment of our new design, with a mirror image of FIG. 1.2 being the right side, bottom perspective view of the second hinge for spectacles;

Int. Reg. Date: **Jul. 27, 2015**

FIG. 1.3 is a left side, bottom perspective view of the first hinge for spectacles illustrating an embodiment of our new design, with a mirror image of FIG. 1.3 being the right side, top perspective view of the second hinge for spectacles;

Int. Reg. Pub. Date: **Jan. 29, 2016**

(30) **Foreign Application Priority Data**

Jan. 28, 2015 (EM) ..... 002621771

FIG. 1.4 is a left side view of a first hinge for spectacles illustrating an embodiment of our new design, with a mirror image of FIG. 1.4 being the right side view of the second hinge for spectacles;

(51) **LOC (11) Cl.** ..... **16-06**

(52) **U.S. Cl.**

USPC ..... **D16/334**

FIG. 2.1 is a left side, bottom perspective view of the second hinge for spectacles illustrating an embodiment of our new design, with a mirror image of FIG. 2.1 being the right side, top perspective view of the first hinge for spectacles; and

(58) **Field of Classification Search**

USPC ..... D16/101, 300-342, 900; D29/109-110;

D14/372; D21/483, 659-661

(Continued)

FIG. 2.2 is a back side, bottom perspective view of the second hinge for spectacles illustrating an embodiment of our new design, with a mirror image of FIG. 2.2 being the front side, top perspective view of the first hinge for spectacles.

(56) **References Cited**

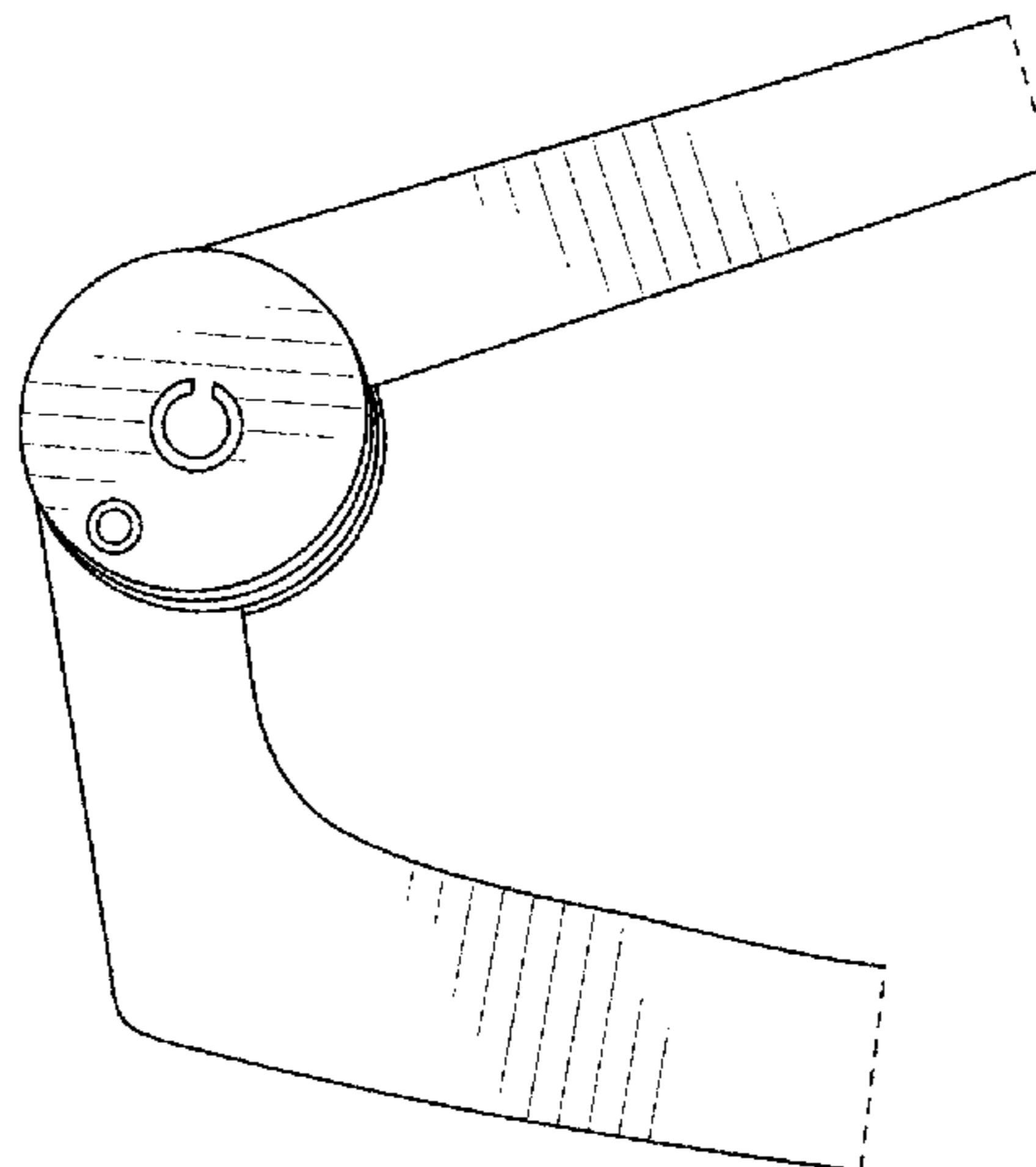
U.S. PATENT DOCUMENTS

D105,421 S \* 7/1937 Splaine ..... D16/334

3,846,018 A 11/1974 Gerson

(Continued)

(Continued)



The broken lines in the drawing views illustrate portions of the hinge for spectacles that form no part of the claimed design.

**1 Claim, 3 Drawing Sheets**

(58) **Field of Classification Search**

CPC .... G02C 5/2209; G02C 2200/30; G02C 9/02;  
G02C 5/22; G02C 2200/20; G02C  
5/2227; G02C 5/2263; G02C 5/2272;  
G02C 5/08

See application file for complete search history.

(56) **References Cited**

U.S. PATENT DOCUMENTS

5,555,037	A	9/1996	Canavan	
D407,624	S *	4/1999	Ehrig .....	D16/334
D458,626	S *	6/2002	Desbierz-Piat .....	D16/334
D611,521	S *	3/2010	Lampru .....	D16/314
D658,226	S *	4/2012	Sierra .....	G02C 5/2209 D16/334
D741,943	S *	10/2015	Keplinger .....	D16/315
D745,083	S *	12/2015	Yoo .....	D16/326
D751,631	S *	3/2016	Montoya .....	D16/334
D765,161	S *	8/2016	Sallard .....	D16/315
2013/0188121	A1	7/2013	Yang	

\* cited by examiner

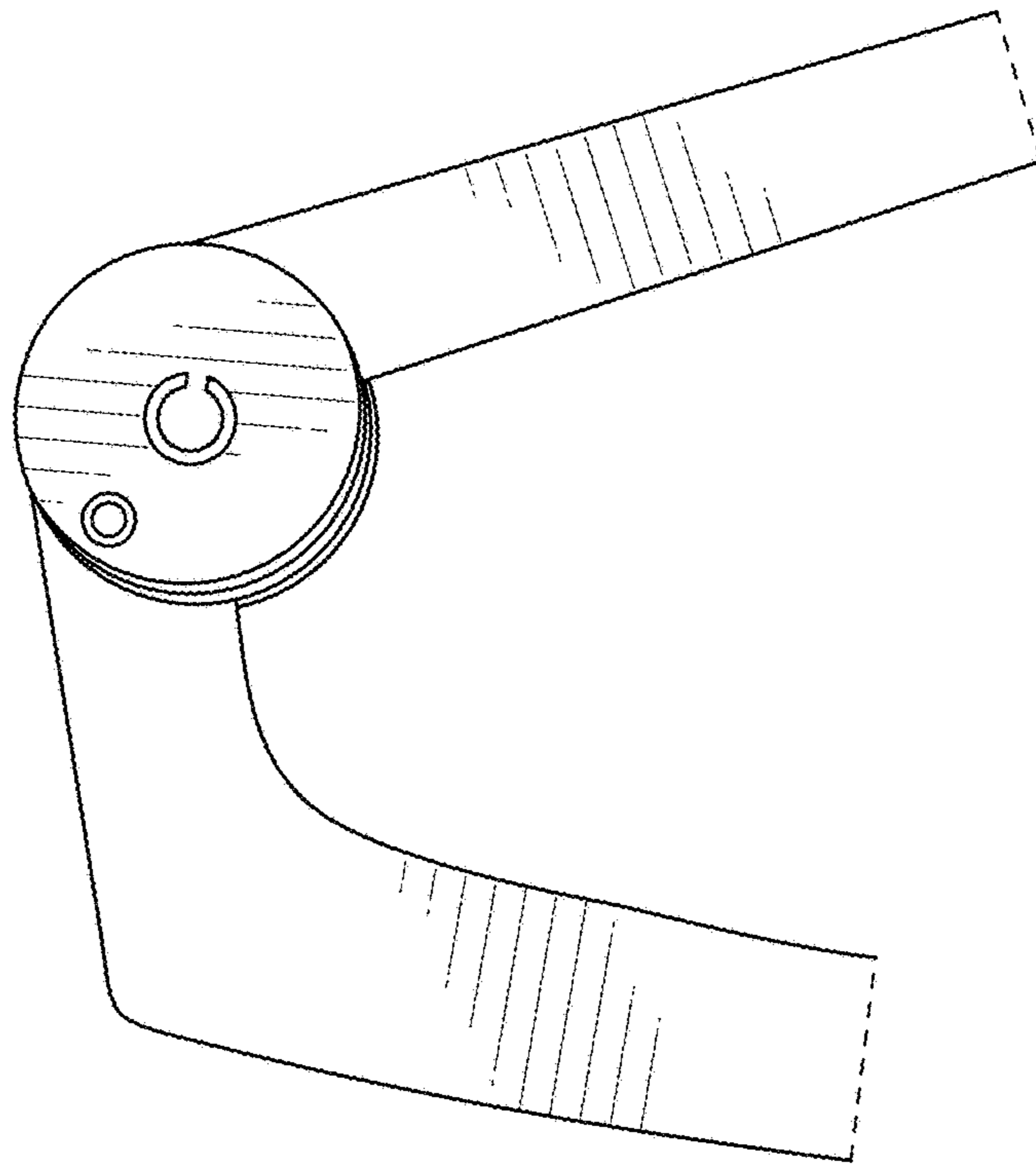


FIG 1.1

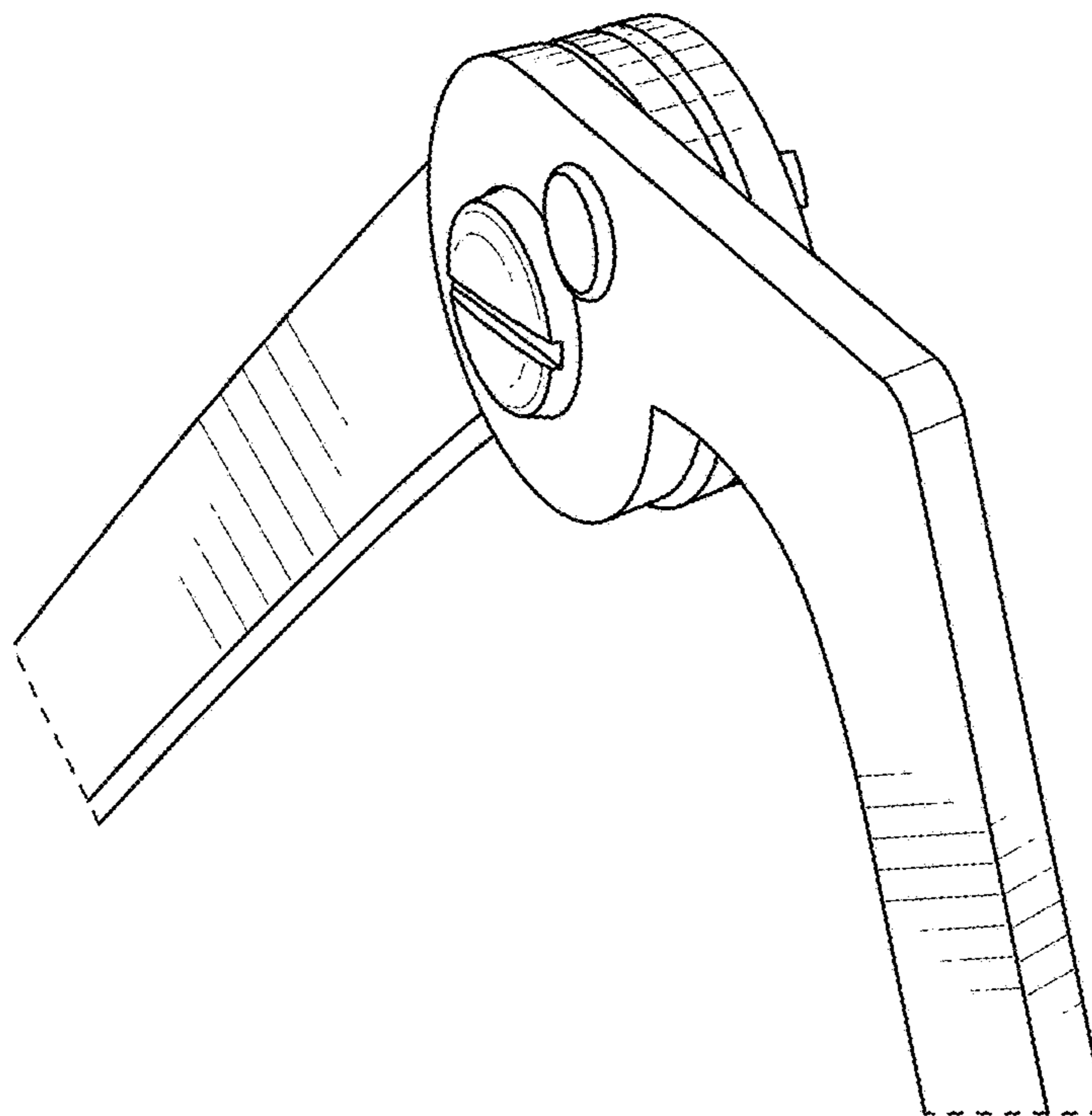


FIG 1.2

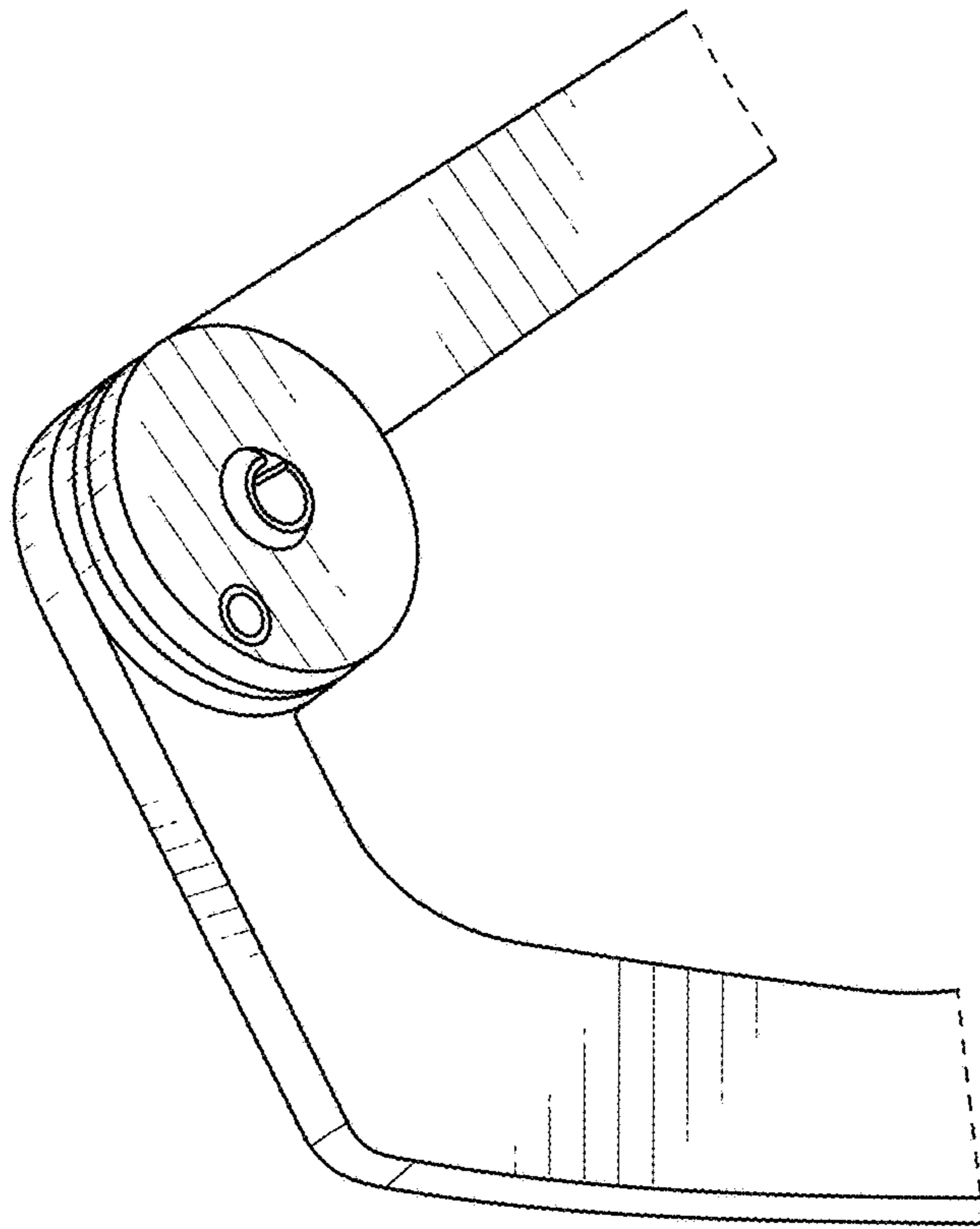


FIG 1.3

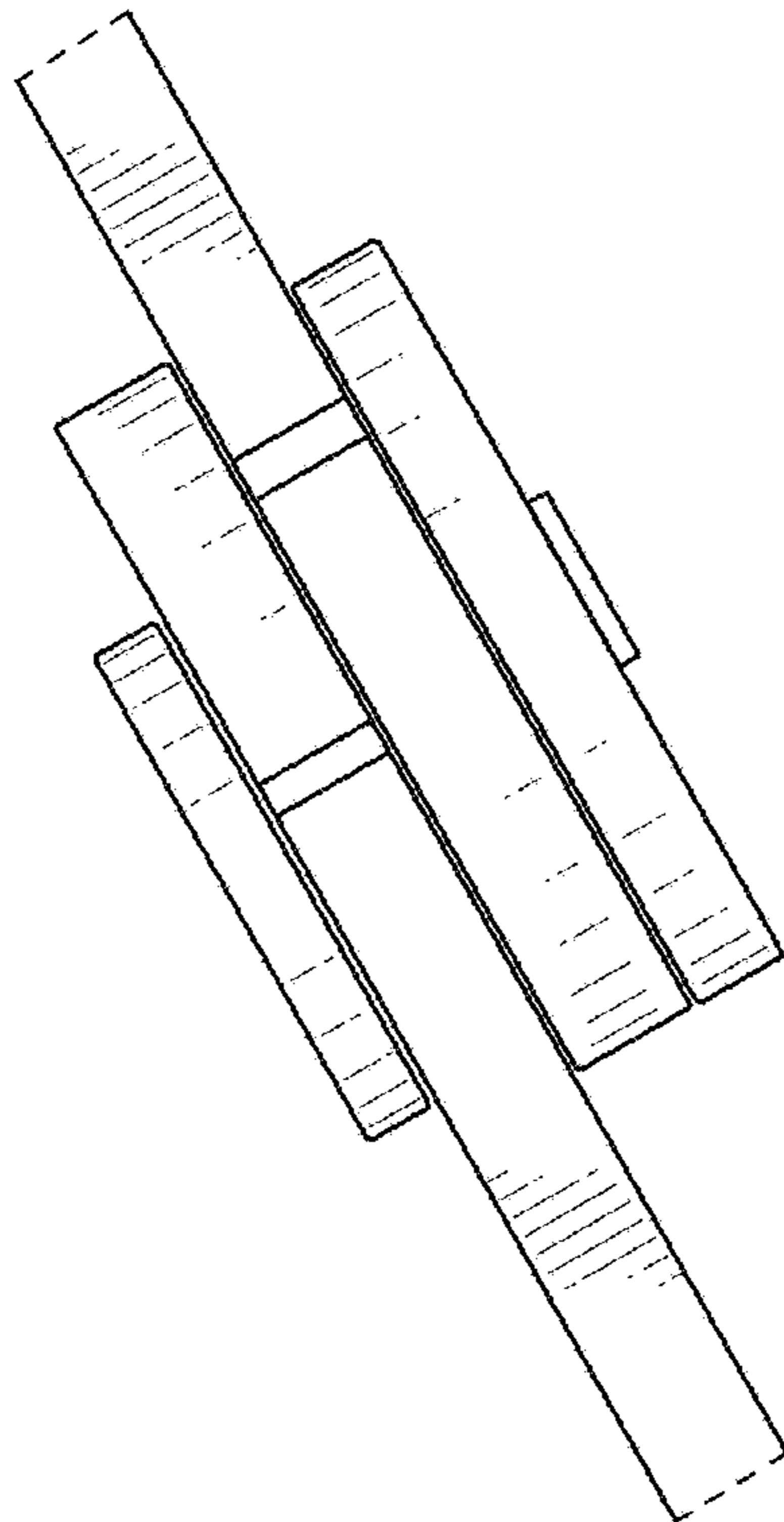


FIG 1.4

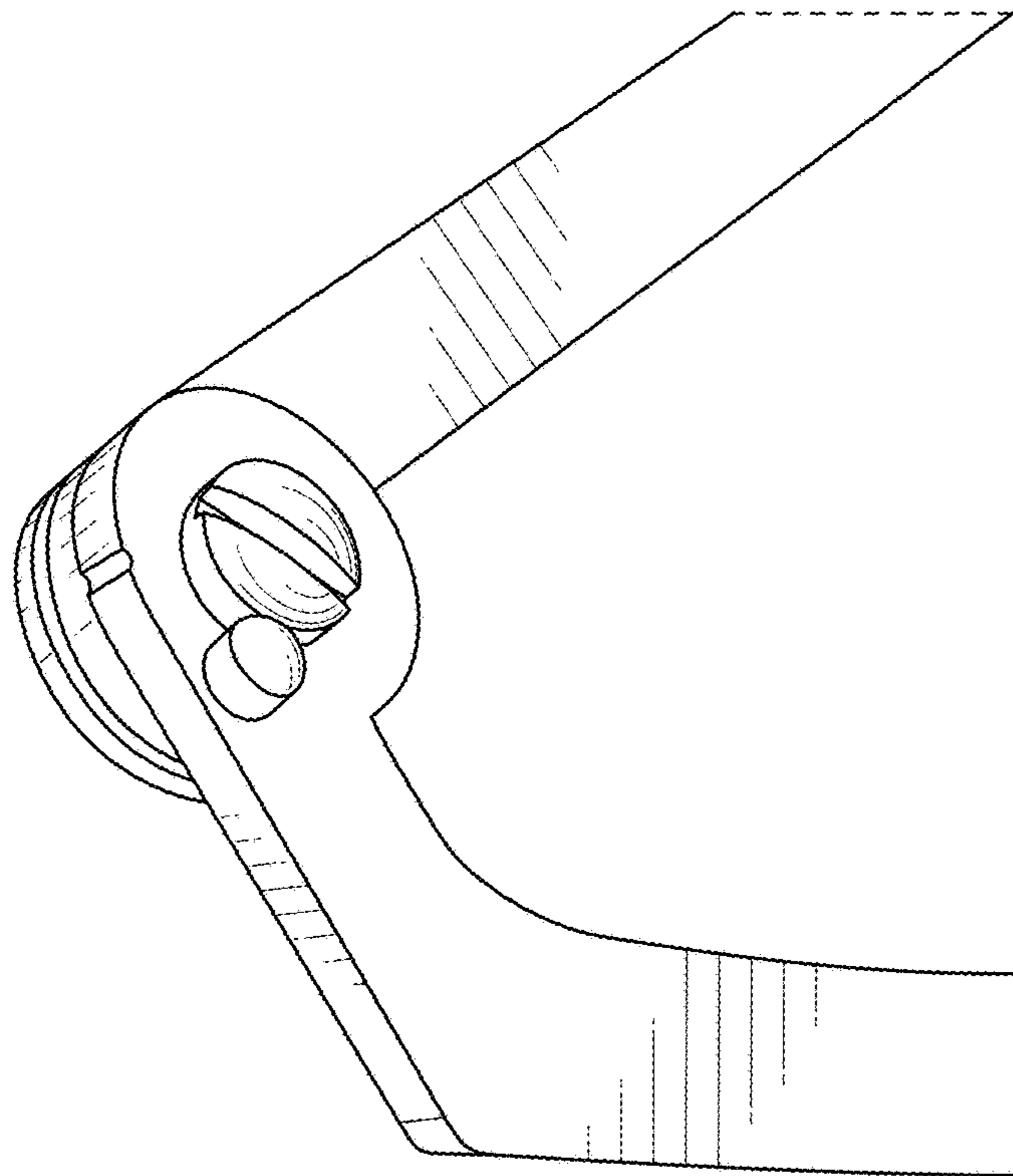


FIG 2.1

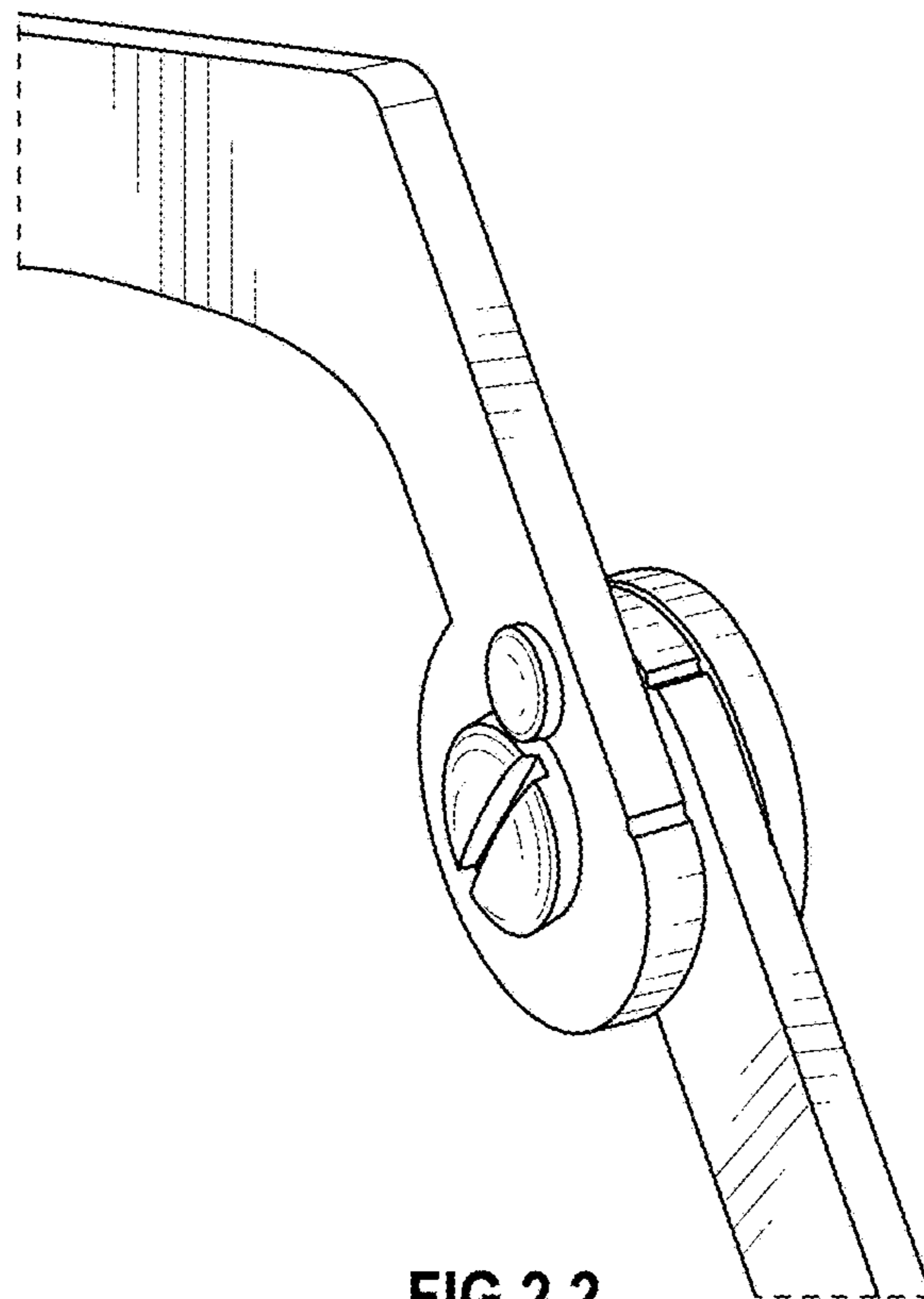


FIG 2.2