



US00D813933S

(12) **United States Design Patent** (10) **Patent No.:** **US D813,933 S**
Bukhovtsev (45) **Date of Patent:** **** Mar. 27, 2018**

(54) **VIDEO PROJECTOR**

FOREIGN PATENT DOCUMENTS

(71) Applicant: **Mikhail Yurievich Bukhovtsev**,
Moscow (RU)

RU 77578 1/2010
RU 77878 5/2010
RU 00096023 * 11/2014

(72) Inventor: **Mikhail Yurievich Bukhovtsev**,
Moscow (RU)

* cited by examiner

(**) Term: **15 Years**

Primary Examiner — Wan Laymon

(21) Appl. No.: **29/552,449**

(74) *Attorney, Agent, or Firm* — Polson Intellectual
Property Law, PC; Margaret Polson

(22) Filed: **Jan. 22, 2016**

(57) **CLAIM**

(30) **Foreign Application Priority Data**

The ornamental design for the video projector, as shown and
described.

Jul. 27, 2015 (RU) 2015502471

(51) **LOC (11) Cl.** **16-02**

DESCRIPTION

(52) **U.S. Cl.**

USPC **D16/230**

(58) **Field of Classification Search**

USPC D16/221, 225, 230–231, 234, 208;
D21/514; D14/506, 508–509, 125,
D14/128–129, 168, 172, 188, 204, 216

CPC G03B 21/00; G03B 21/003; G03B 21/12;
G03B 21/14; G03B 21/142; G03B 21/145

See application file for complete search history.

FIG. 1 illustrates a front view of the video projector.
FIG. 2 illustrates a rear view of the video projector depicted
on FIG. 1.

FIG. 3 illustrates a bottom view of the video projector
depicted on FIG. 1.

FIG. 4 illustrates a top view of the video projector depicted
on FIG. 1.

FIG. 5 illustrates a left side view of the video projector
depicted on FIG. 1.

FIG. 6 illustrates a right side view of the video projector
depicted on FIG. 1; and,

FIG. 7 illustrates an isometric view of the video projector
depicted on FIG. 1.

The features shown in broken lines depict portions of the
video projector that form no part of the claimed design.

(56) **References Cited**

U.S. PATENT DOCUMENTS

D513,030 S * 12/2005 Schoenert D16/221
D514,611 S * 2/2006 Schoenert D16/221
D555,184 S * 11/2007 Rodriguez, Jr. D16/230
D722,099 S * 2/2015 Lee D16/230
D750,691 S * 3/2016 Hu D16/225

1 Claim, 4 Drawing Sheets

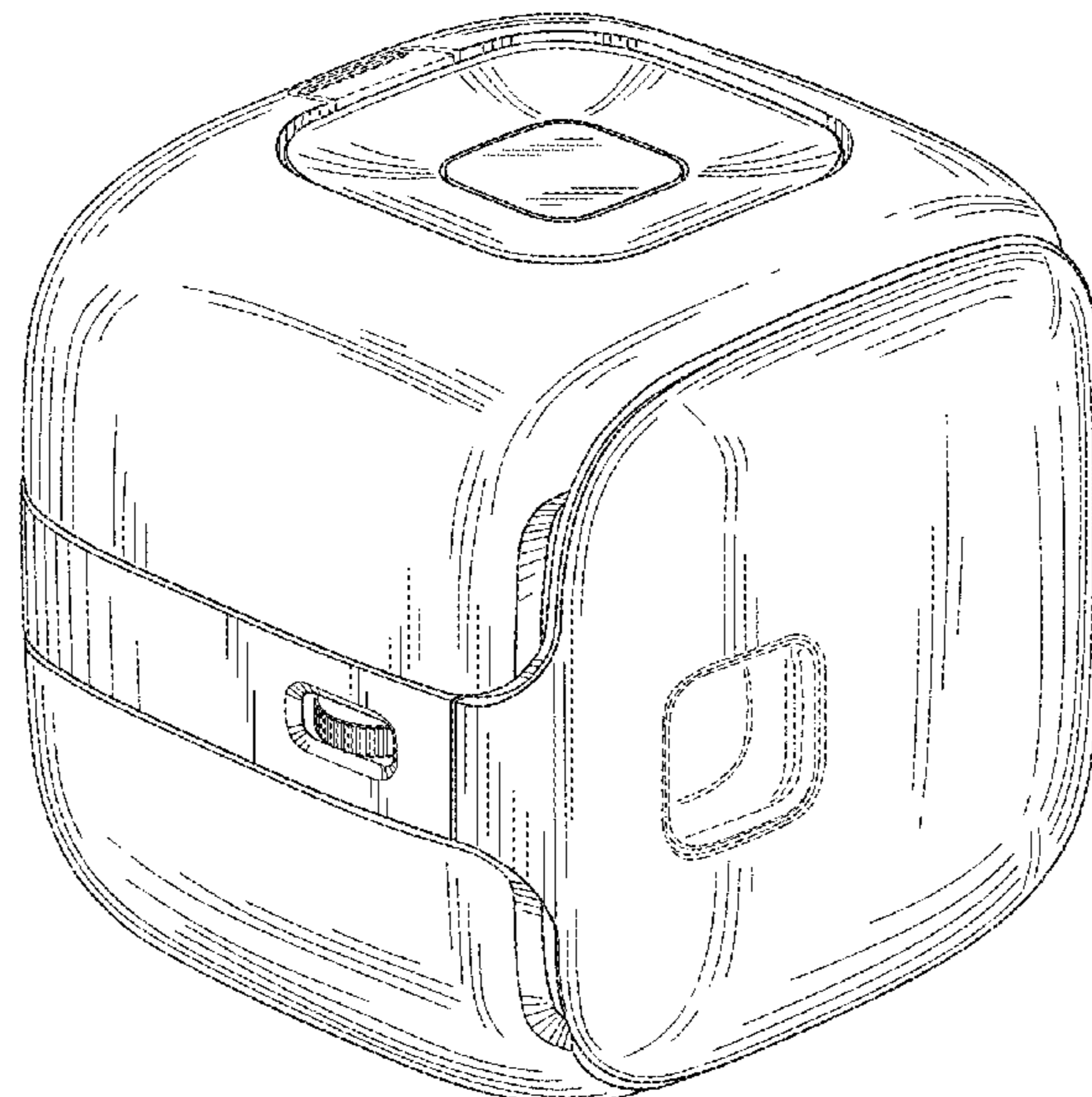


FIG.1

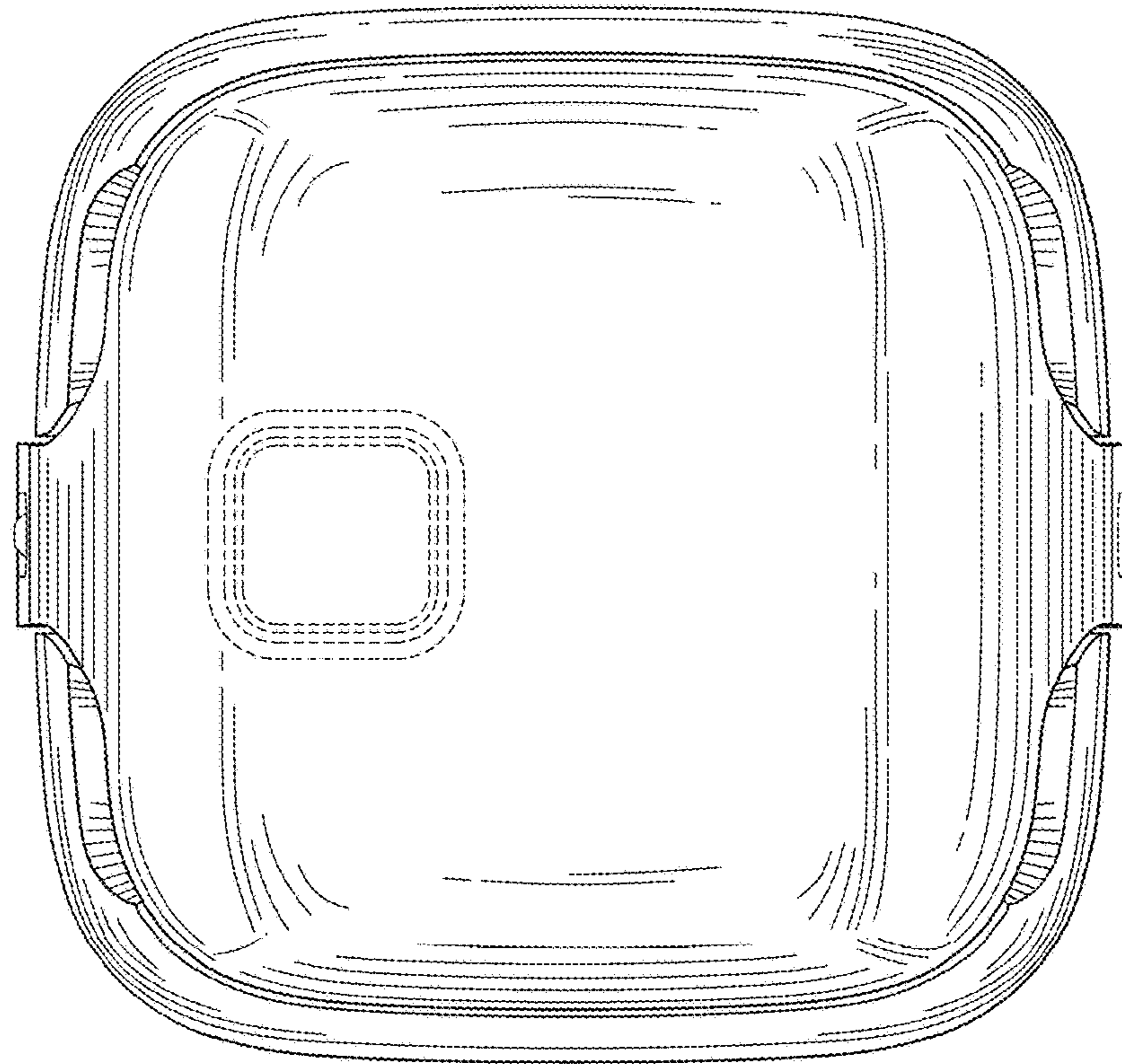
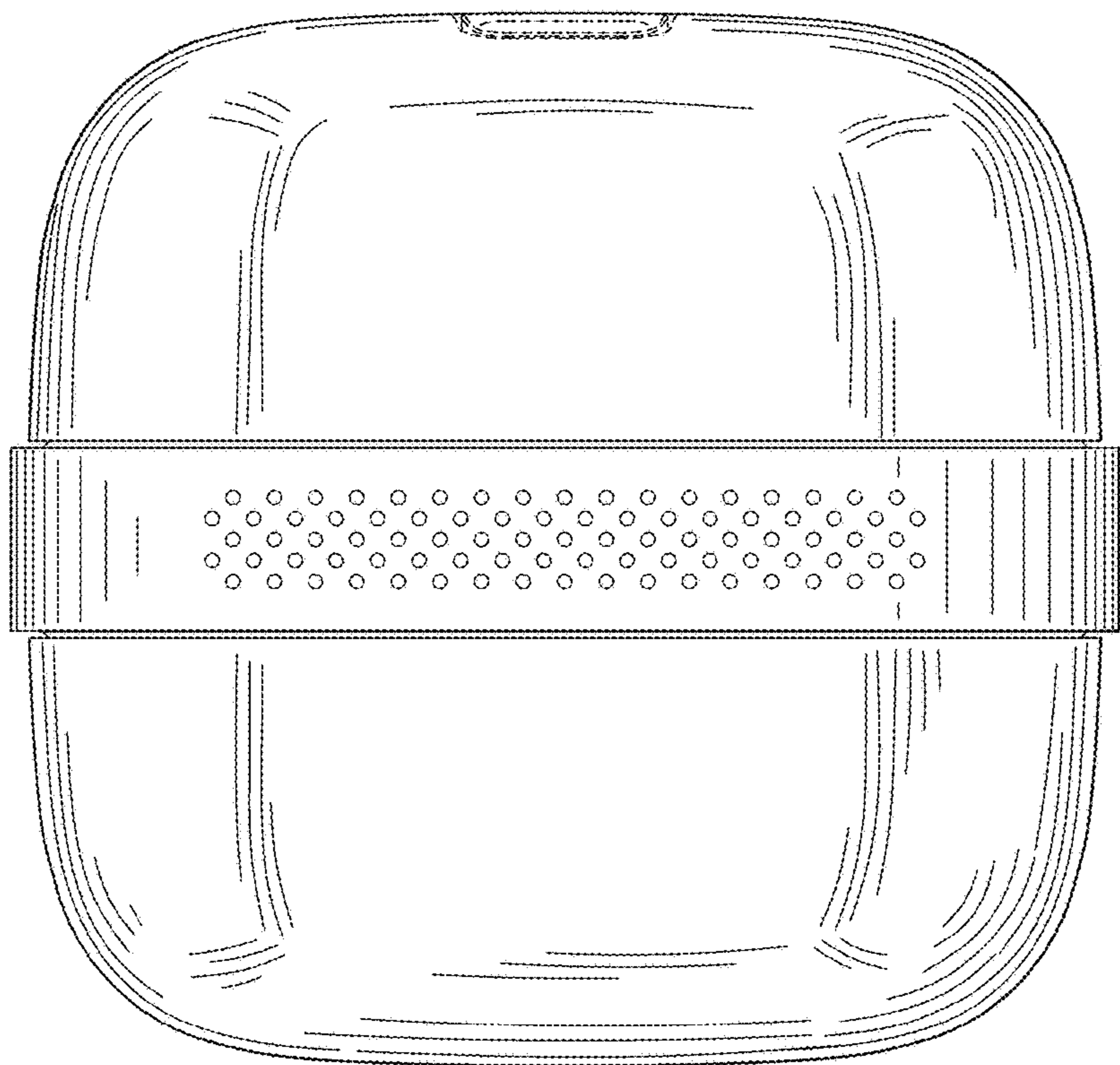


FIG.2



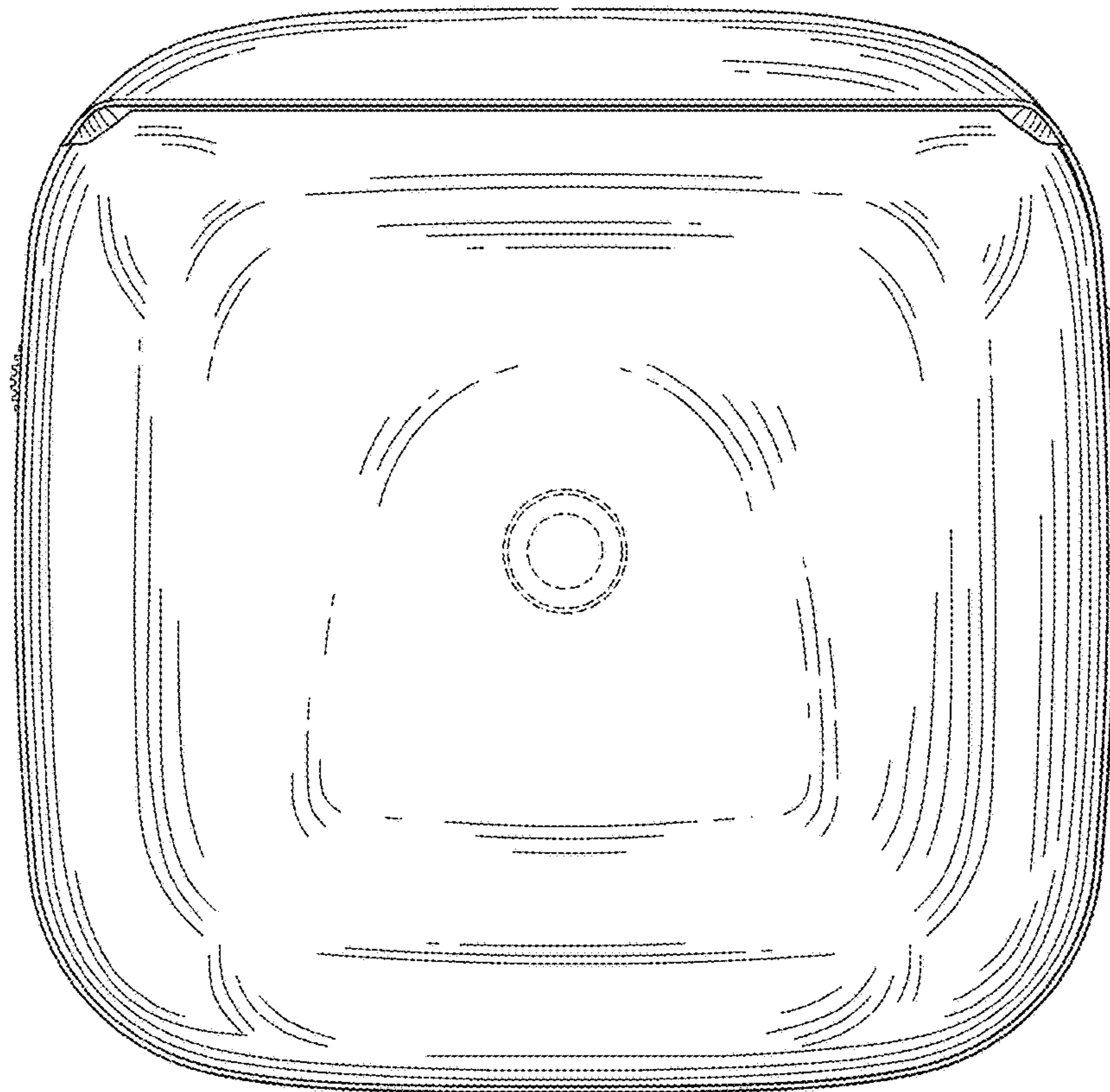


FIG.3

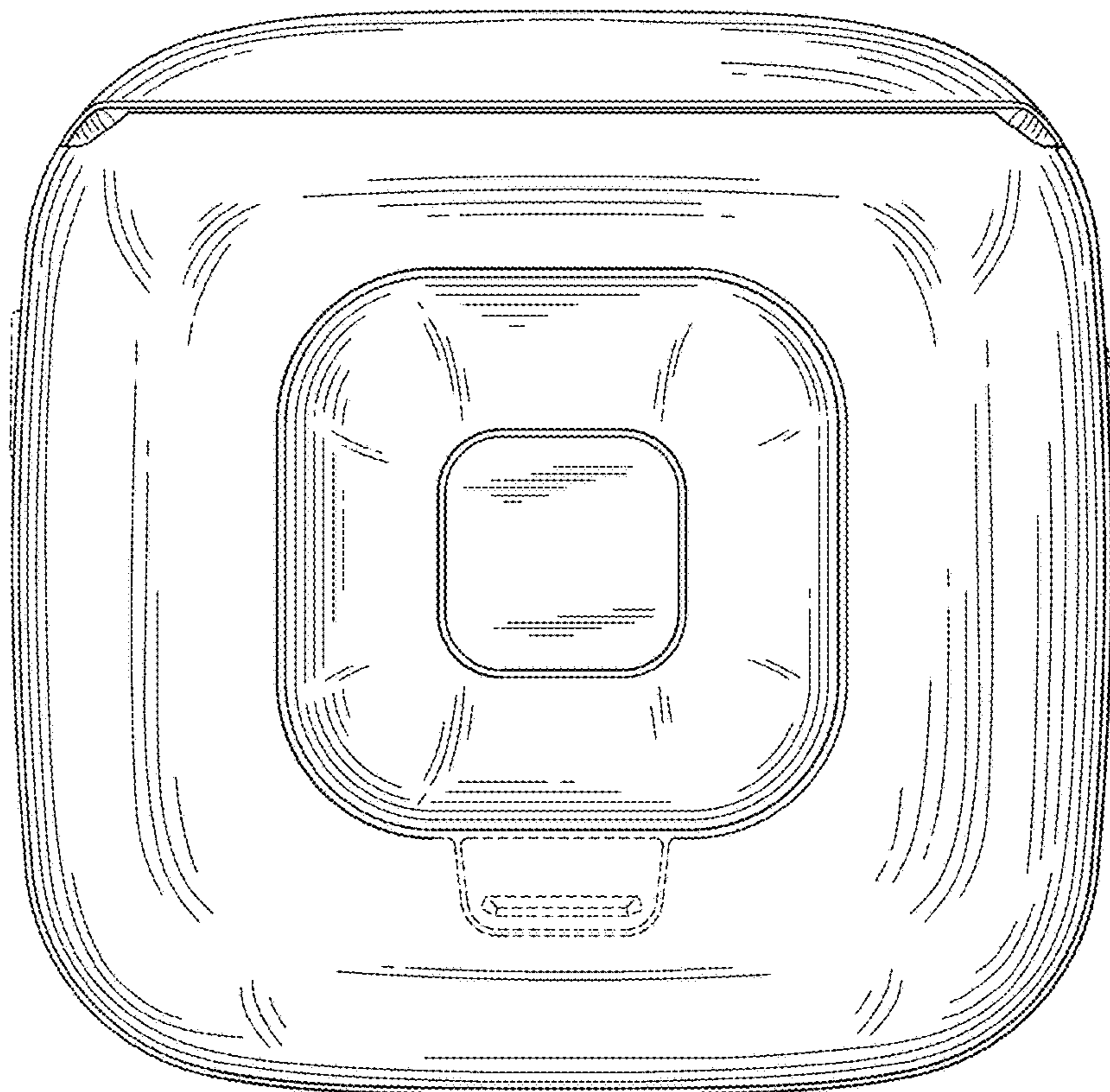


FIG.4

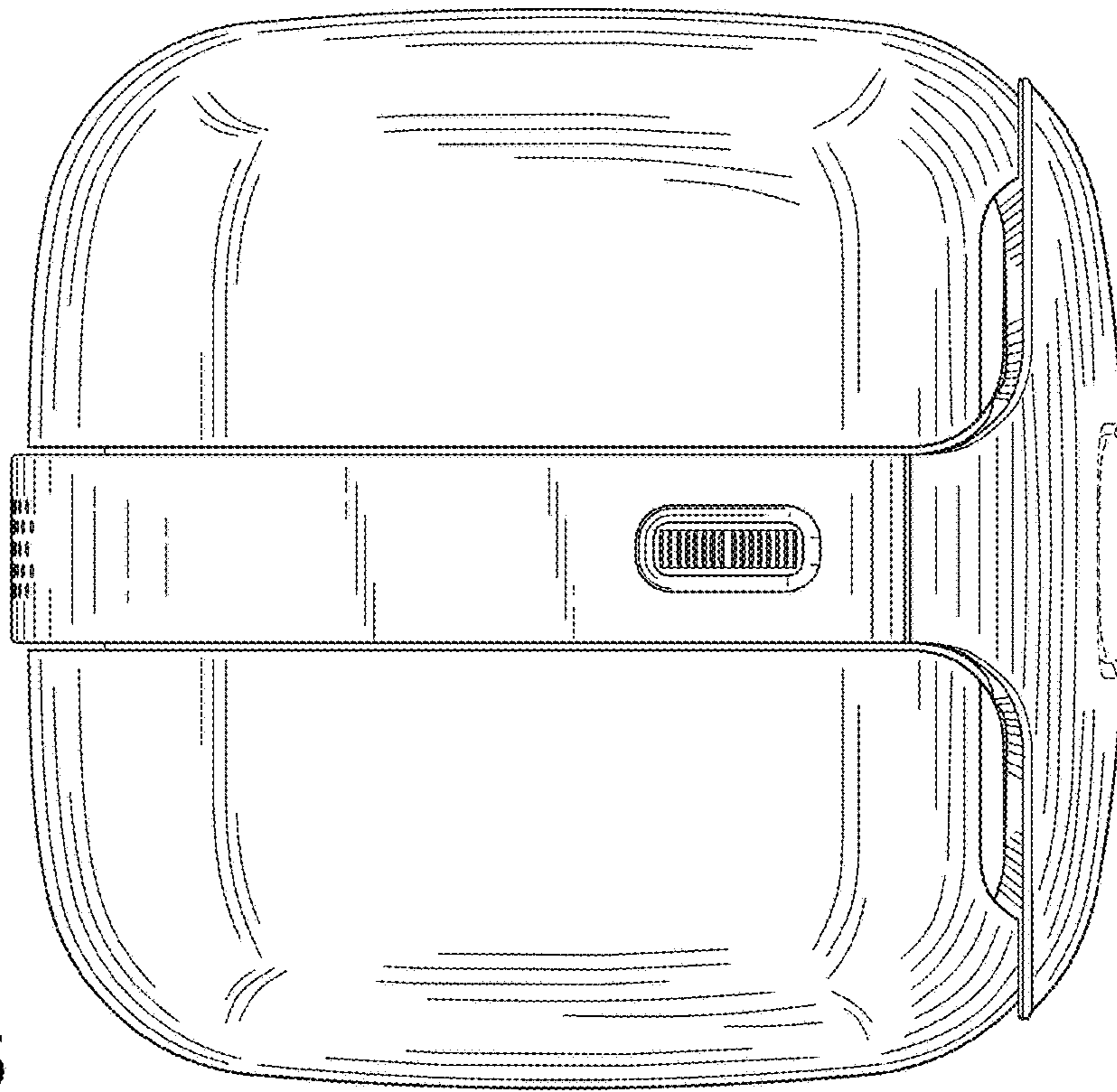


FIG. 5

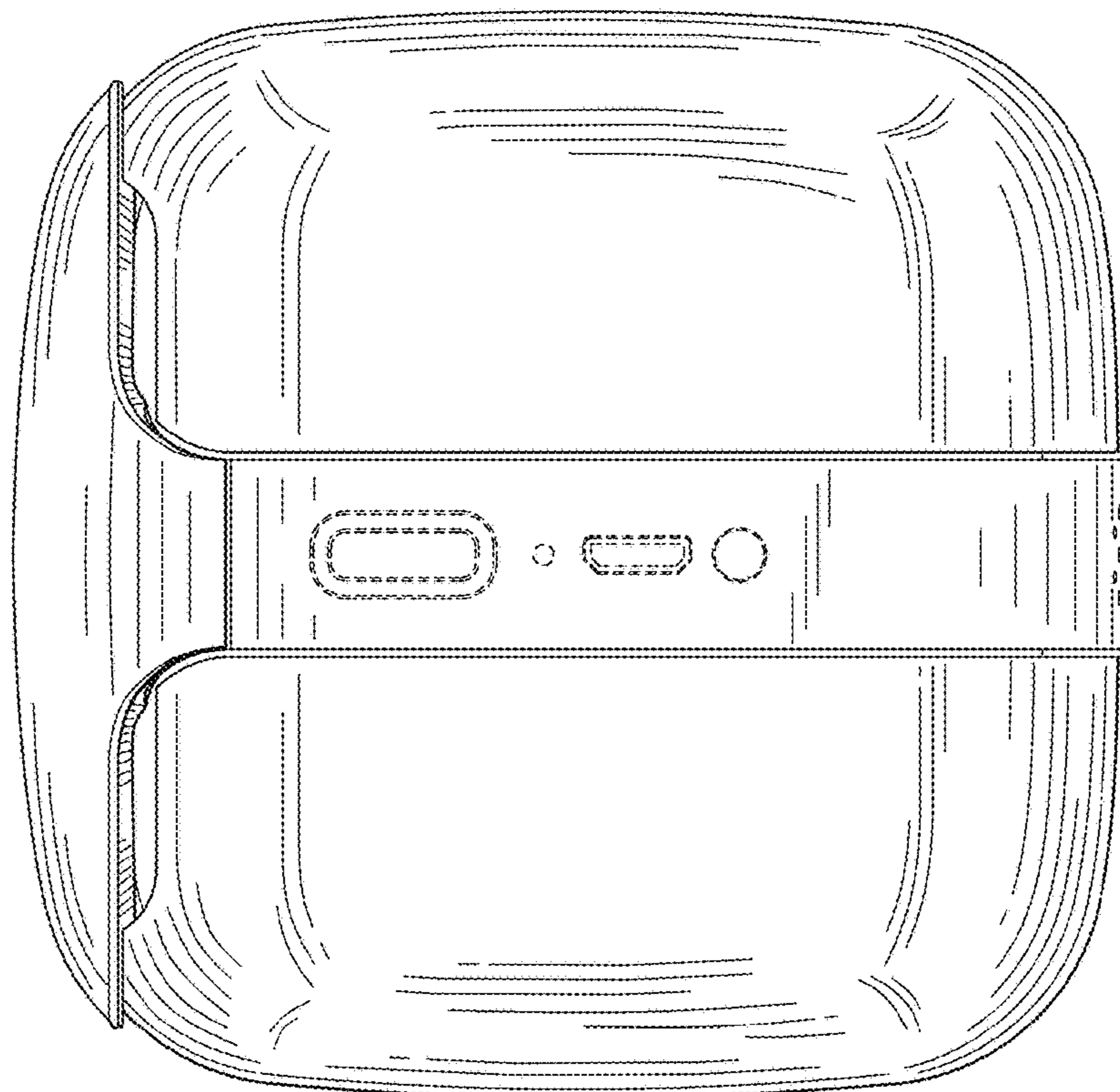


FIG. 6

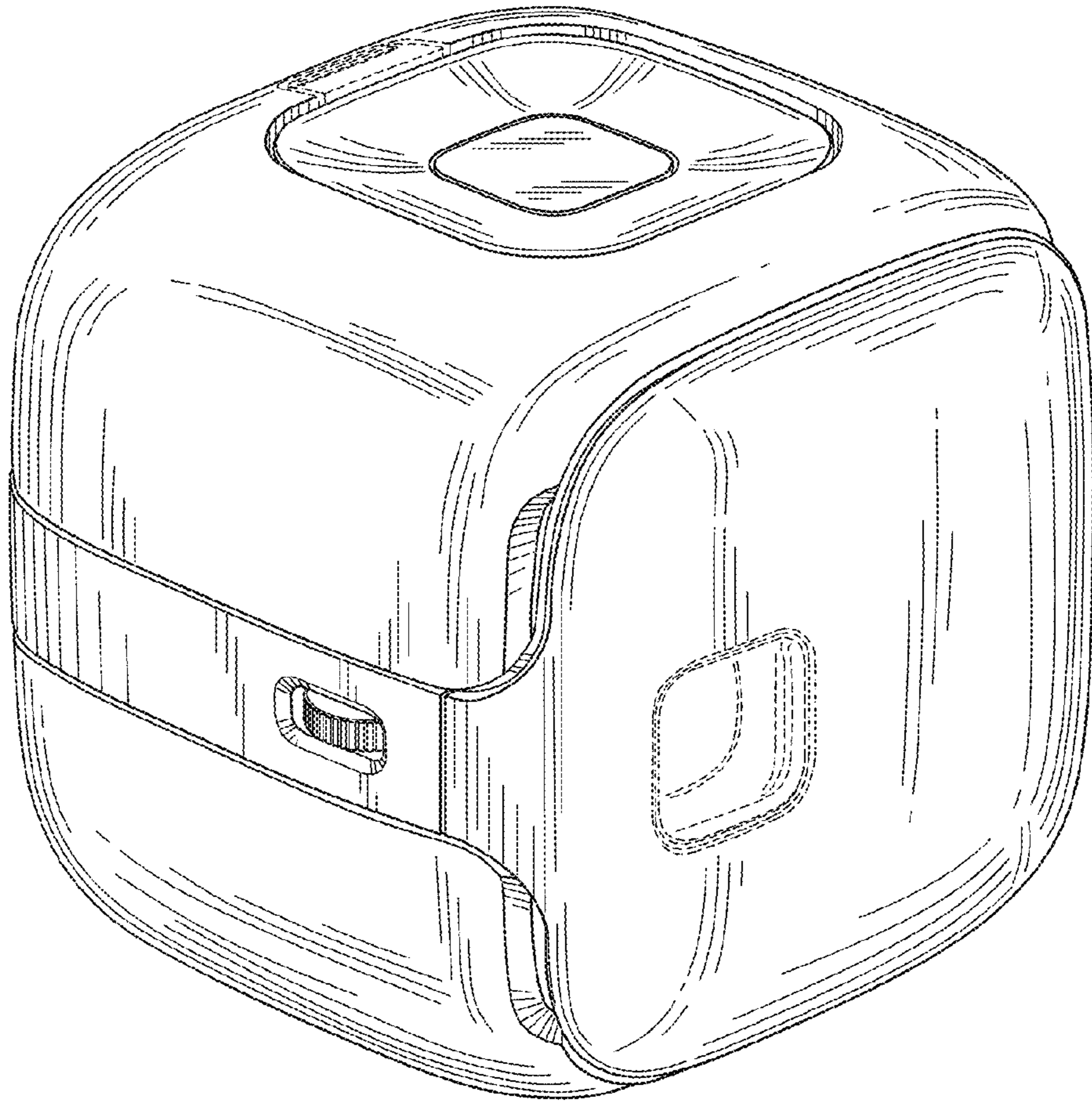


FIG.7