



US00D813932S

(12) **United States Design Patent**  
**Pappas**

(10) **Patent No.:** **US D813,932 S**

(45) **Date of Patent:** **\*\* Mar. 27, 2018**

(54) **IMAGE SCOPE**

D573,627 S \* 7/2008 Macura ..... D16/221  
D750,153 S \* 2/2016 Itou ..... D16/229  
D773,549 S \* 12/2016 Tompkin ..... D16/225

(71) Applicant: **Steve Pappas**, Santa Ynez, CA (US)

\* cited by examiner

(72) Inventor: **Steve Pappas**, Santa Ynez, CA (US)

*Primary Examiner* — Wan Laymon

(\*\*) Term: **15 Years**

(74) *Attorney, Agent, or Firm* — Cislo & Thomas, LLP

(21) Appl. No.: **29/593,331**

(57) **CLAIM**

(22) Filed: **Feb. 8, 2017**

The ornamental design for an image scope, as shown and described.

(51) **LOC (11) Cl.** ..... **16-02**

**DESCRIPTION**

(52) **U.S. Cl.**

USPC ..... **D16/221**; D16/225

(58) **Field of Classification Search**

USPC ..... D16/221, 225, 229–231; D21/514

CPC .... G03B 21/00; G03B 21/001; G03B 21/003;

G03B 21/12; G03B 21/14; G03B 21/145

See application file for complete search history.

FIG. 1 is a perspective view of my image scope;

FIG. 2 is a front view thereof;

FIG. 3 is a rear view thereof;

FIG. 4 is a left side view thereof;

FIG. 5 is a right side view thereof;

FIG. 6 is a top view thereof;

FIG. 6A is a magnified view of a portion of FIG. 6;

FIG. 7 is a bottom view thereof; and,

FIG. 8 is an exploded perspective view thereof.

The broken line portions of the disclosure are included for the purpose of illustrating environment and form no part of the claimed design.

(56) **References Cited**

**U.S. PATENT DOCUMENTS**

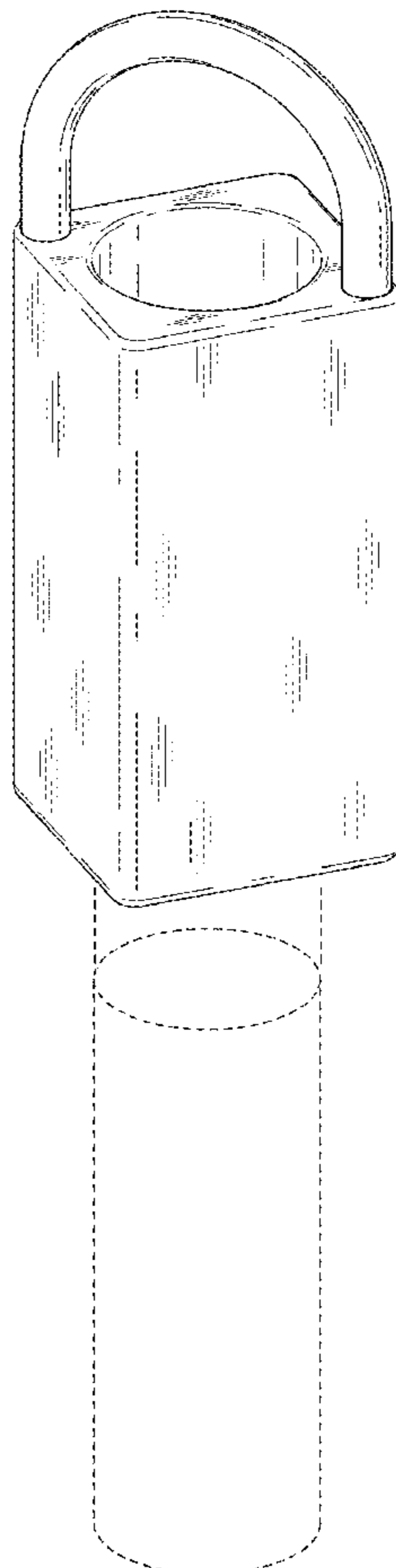
D382,002 S \* 8/1997 Hix ..... D16/225

D421,620 S \* 3/2000 Kawamoto ..... D16/225

D456,831 S \* 5/2002 Mori ..... D16/225

D557,725 S \* 12/2007 Ebihara ..... D16/221

**1 Claim, 3 Drawing Sheets**



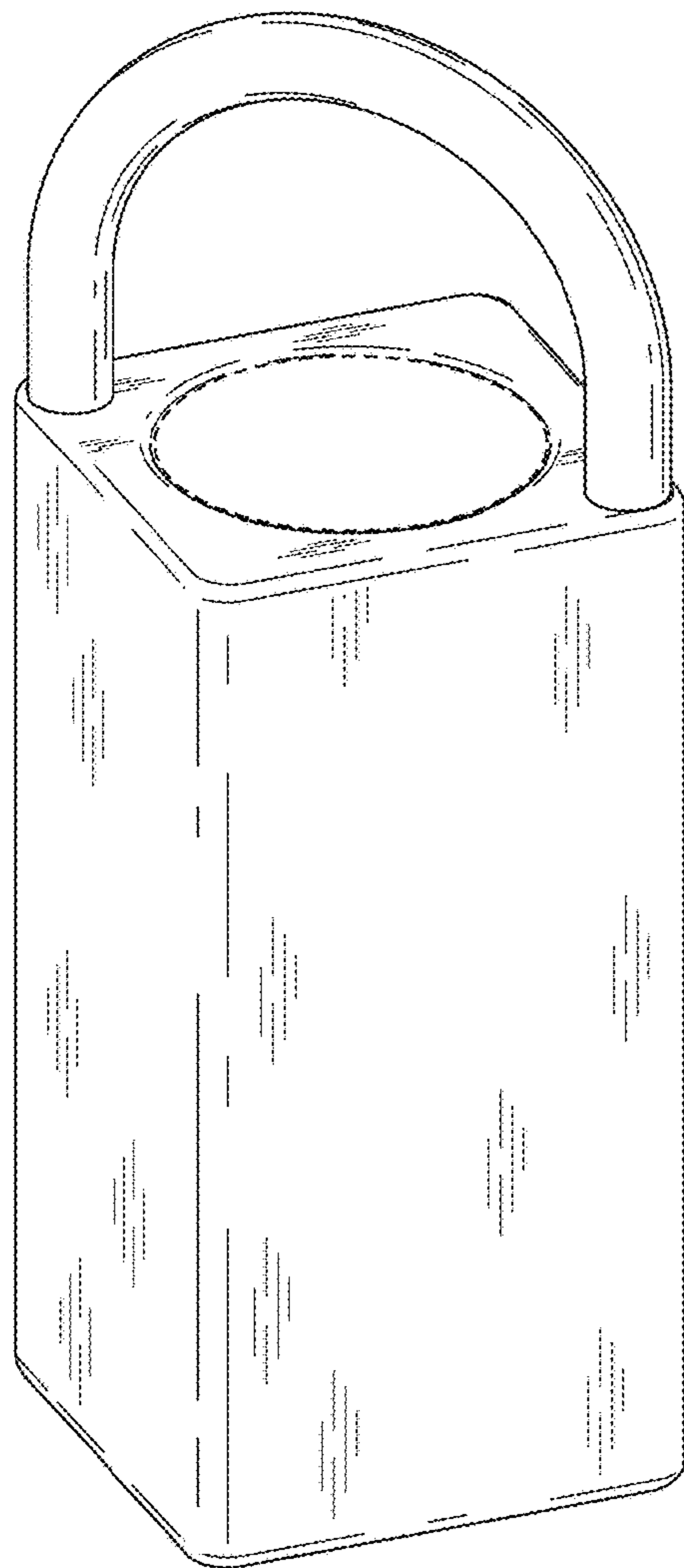


Fig. 1

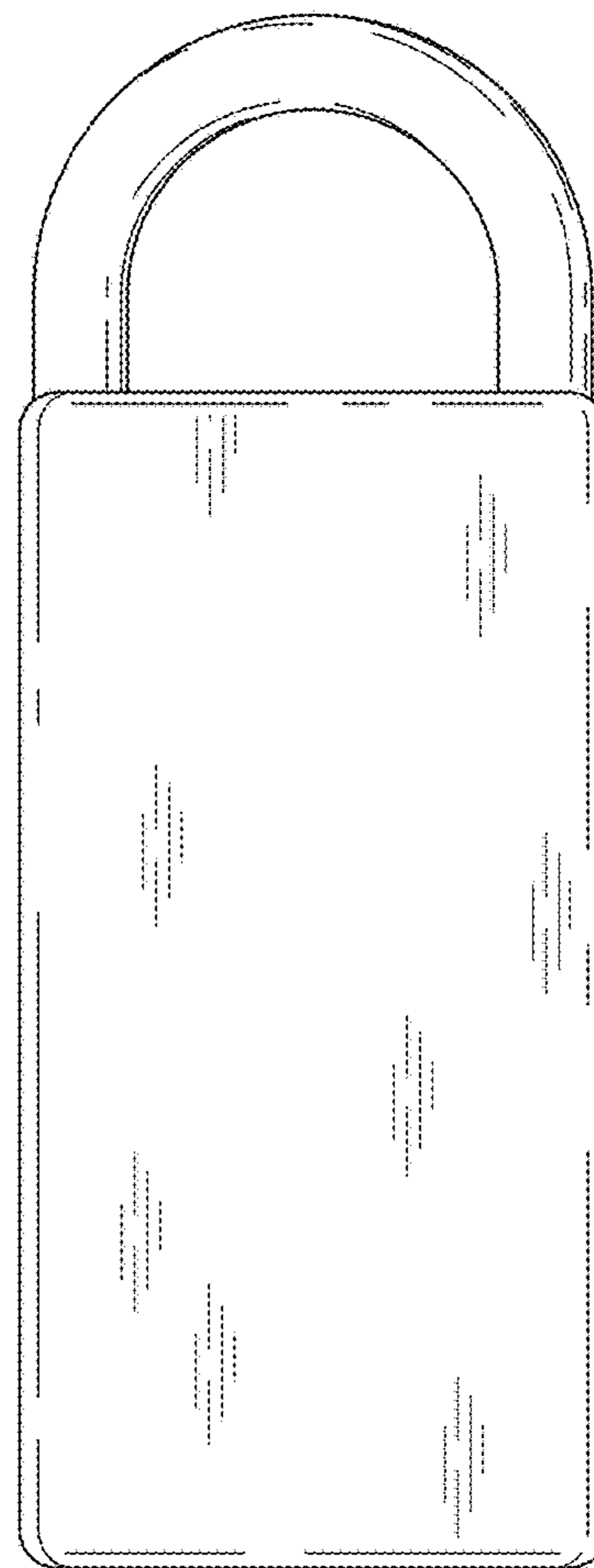


Fig. 2

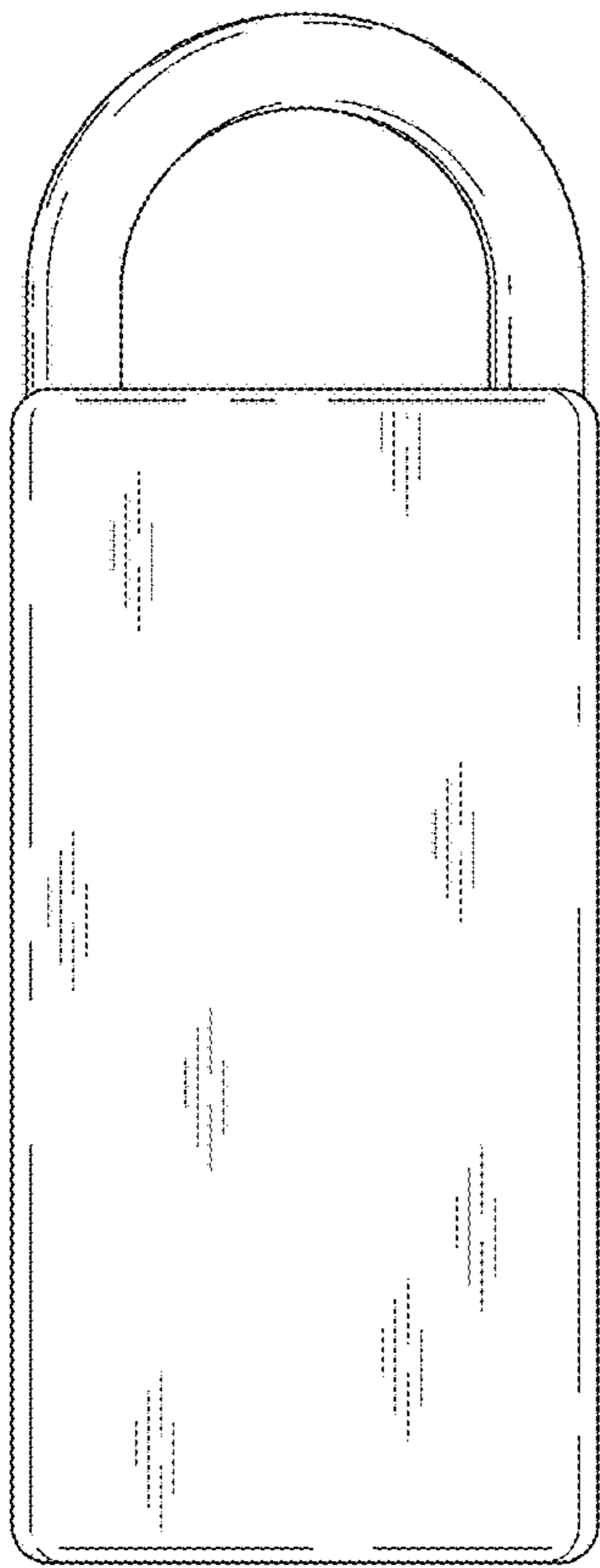


Fig. 3

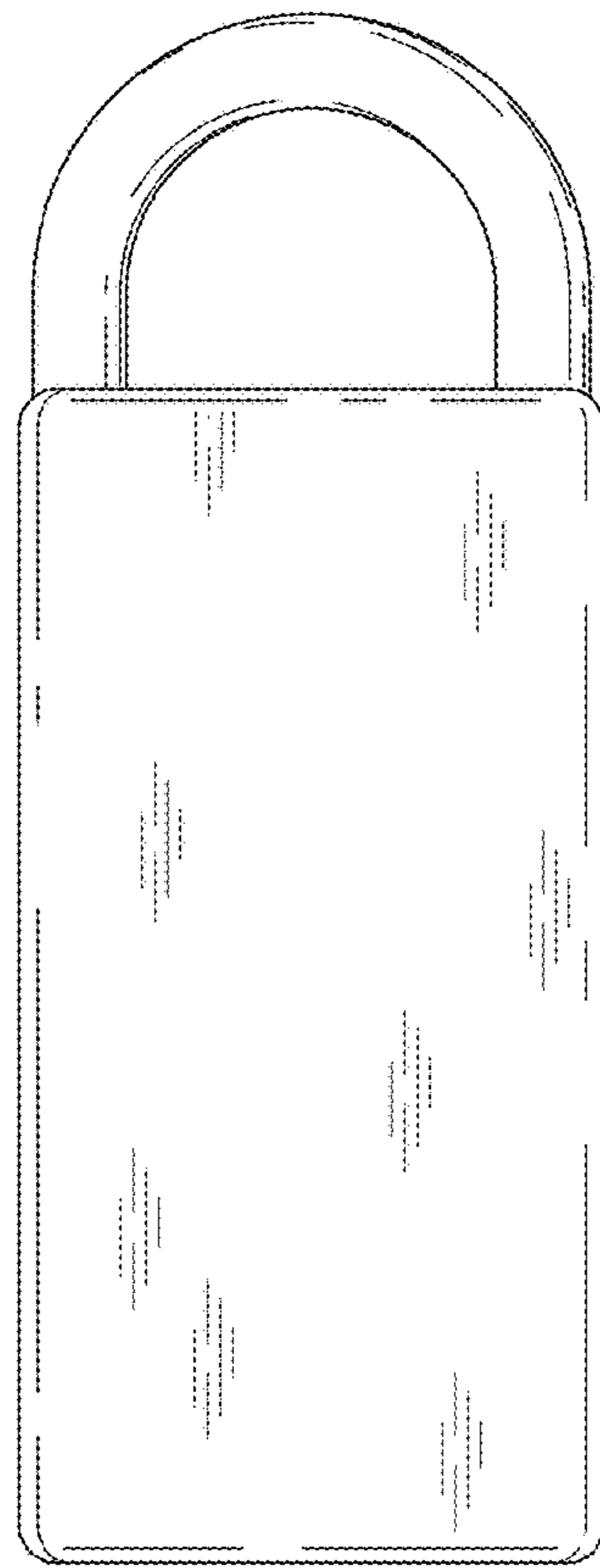


Fig. 4

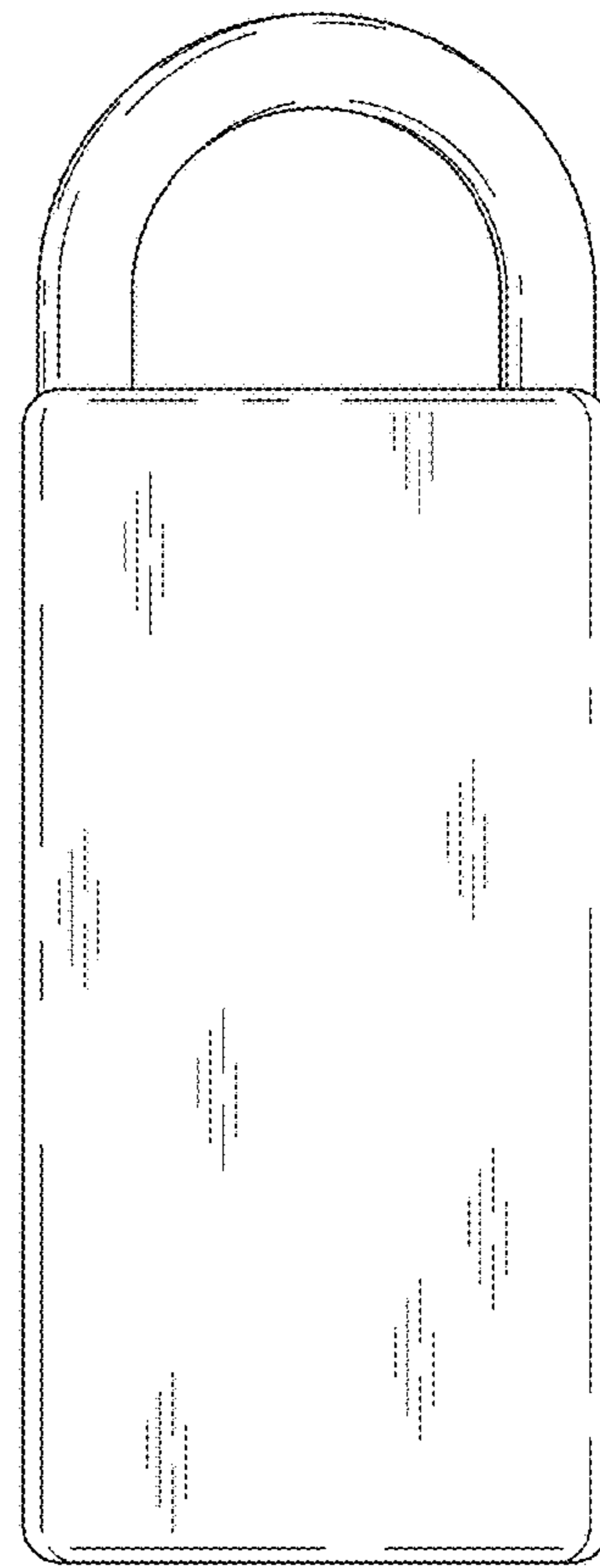


Fig. 5

Fig. 6A

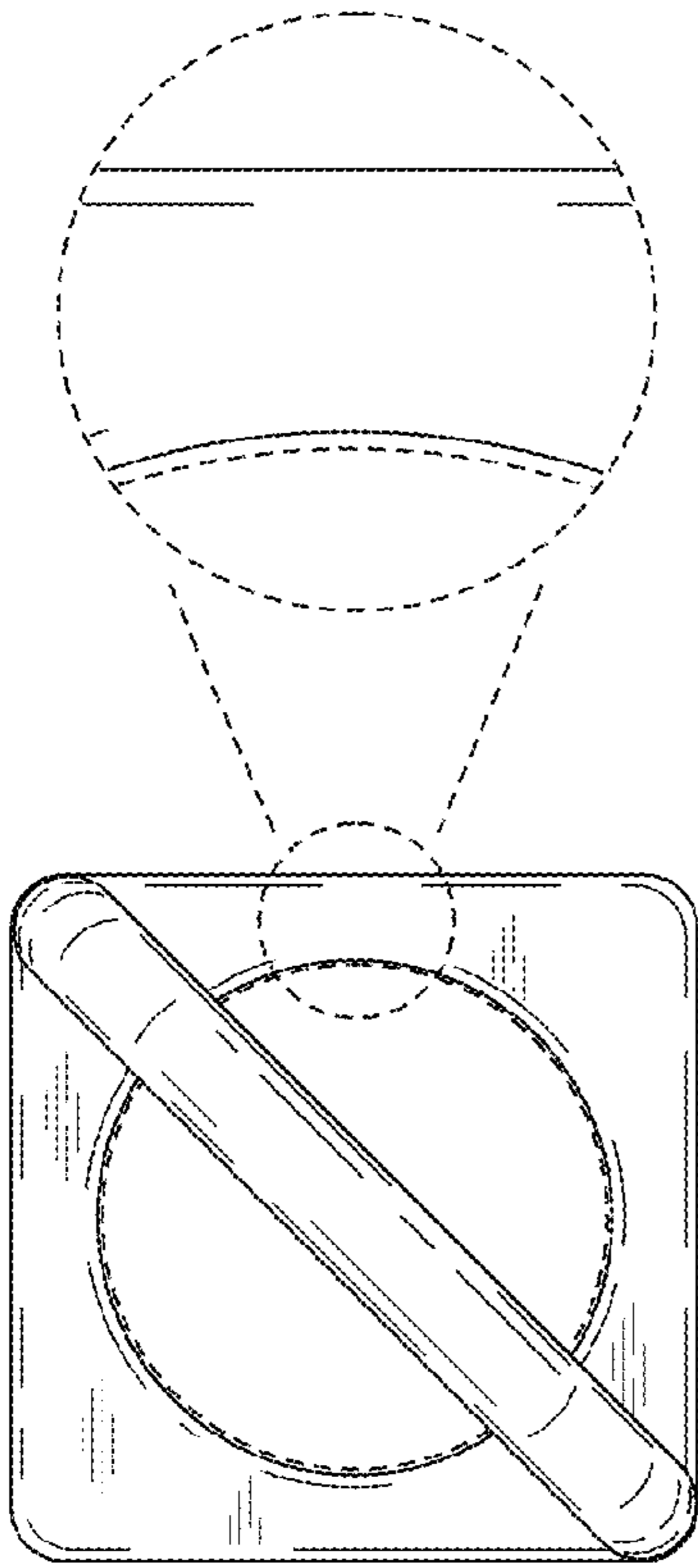


Fig. 6

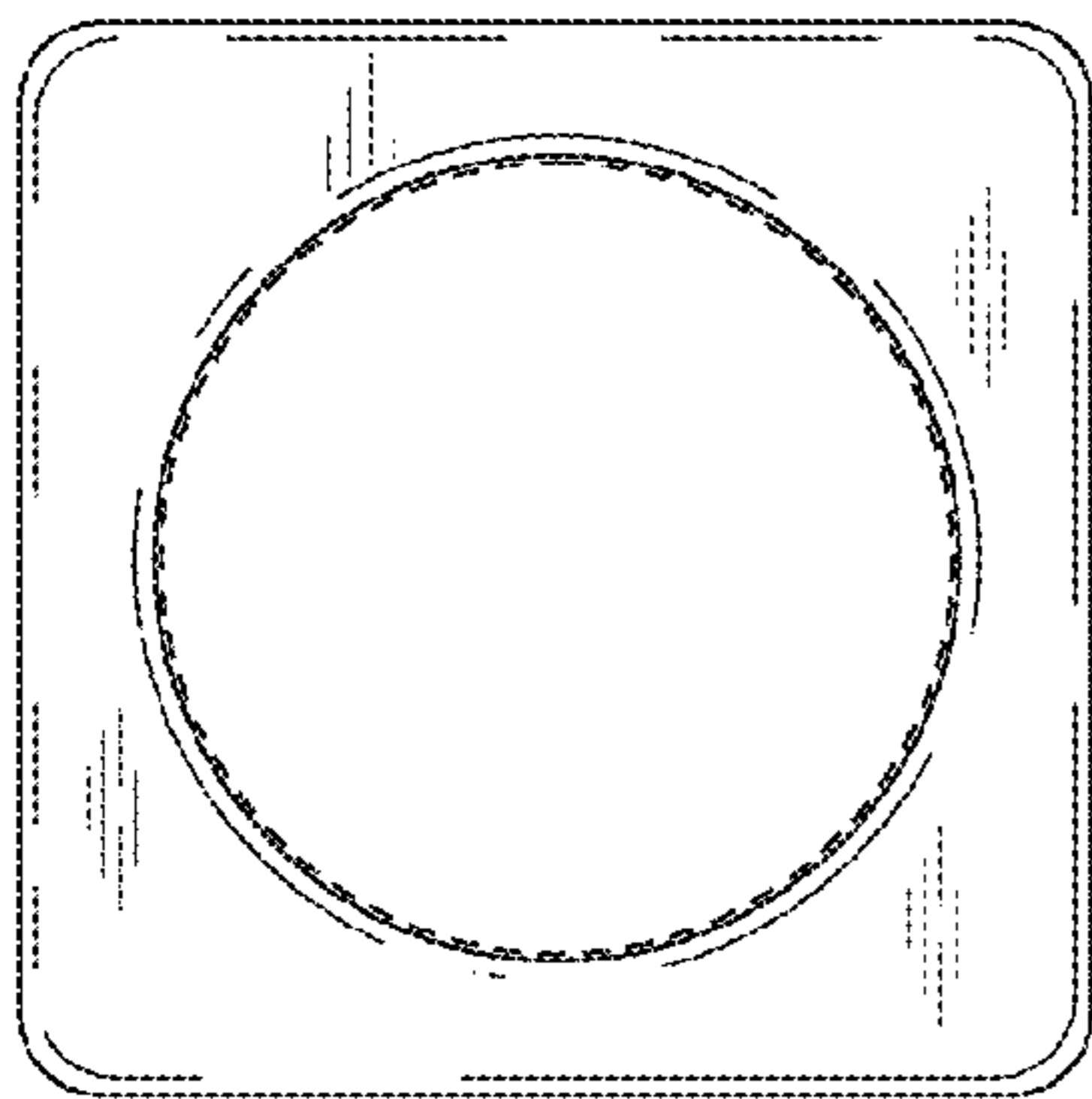


Fig. 7

Fig. 8

