



US00D813931S

(12) **United States Design Patent** (10) **Patent No.:** **US D813,931 S**  
**van Hoff et al.** (45) **Date of Patent:** **\*\* Mar. 27, 2018**

(54) **CAMERA MODULE**  
(71) Applicant: **Jaunt Inc.**, Palo Alto, CA (US)  
(72) Inventors: **Arthur van Hoff**, Palo Alto, CA (US);  
**Thomas M. Annau**, Palo Alto, CA  
(US); **Jens Christensen**, Palo Alto, CA  
(US); **Koji Gardiner**, Palo Alto, CA  
(US); **Punit Govenji**, Palo Alto, CA  
(US); **James Dunn**, Palo Alto, CA (US)

(\*\*) Term: **15 Years**  
(21) Appl. No.: **29/601,598**  
(22) Filed: **Apr. 24, 2017**

**Related U.S. Application Data**

(63) Continuation of application No. 29/539,429, filed on Sep. 14, 2015, now Pat. No. Des. 787,580.

(51) **LOC (11) Cl.** ..... **16-05**  
(52) **U.S. Cl.**  
USPC ..... **D16/219**

(58) **Field of Classification Search**  
USPC ..... D16/200, 210, 211, 218, 219, 202–206,  
D16/208, 201, 217; D9/414, 418, 427,  
D9/430, 432; D6/517, 524, 527, 528,  
D6/531, 535, 559; D14/174, 194, 204,  
D14/221; 348/148, 372–376; 396/529,  
396/535, 539–541

CPC ..... G03B 15/03; G03B 17/02; G03B 17/04;  
G03B 17/56; G03B 19/04; G03B 1/00;  
G03B 7/00; G03B 13/02; G03B 13/04;  
G03B 13/1963; H04N 5/2251; H04N  
5/2252; H04N 5/2253; H04N 5/2254

See application file for complete search history.

(56) **References Cited**

**U.S. PATENT DOCUMENTS**

D100,131 S \* 6/1936 Stevens ..... D14/194  
D113,004 S \* 1/1939 Karstadt ..... 312/7.1

D185,468 S \* 6/1959 Smith ..... D16/205  
D441,386 S \* 5/2001 Yamazaki ..... D16/203  
D501,015 S \* 1/2005 Hamilton ..... D16/202  
D515,121 S \* 2/2006 Bleau ..... D16/202  
D550,265 S \* 9/2007 Goto ..... D16/202  
D669,351 S \* 10/2012 Au ..... D9/418  
D669,678 S \* 10/2012 Legreca ..... D3/205  
D696,707 S \* 12/2013 Guastadini ..... D16/202  
D720,789 S \* 1/2015 Minamide ..... D16/203  
9,681,028 B2 \* 6/2017 Jannard ..... H04N 5/2251  
9,719,674 B2 \* 8/2017 Wassel ..... F21V 33/0052  
9,746,636 B2 \* 8/2017 Flugge ..... G02B 7/08  
2002/0130963 A1 \* 9/2002 Gelbard ..... H04N 5/2254  
348/360  
2005/0099521 A1 \* 5/2005 Bleau ..... H04N 5/2252  
348/340  
2013/0128104 A1 \* 5/2013 Nunnink ..... G03B 15/05  
348/373

(Continued)

*Primary Examiner* — Robin V Webster

*Assistant Examiner* — Rachel Voorhies

(74) *Attorney, Agent, or Firm* — Burbage Law, P.C.;  
Jon-Michael Burbage

(57) **CLAIM**

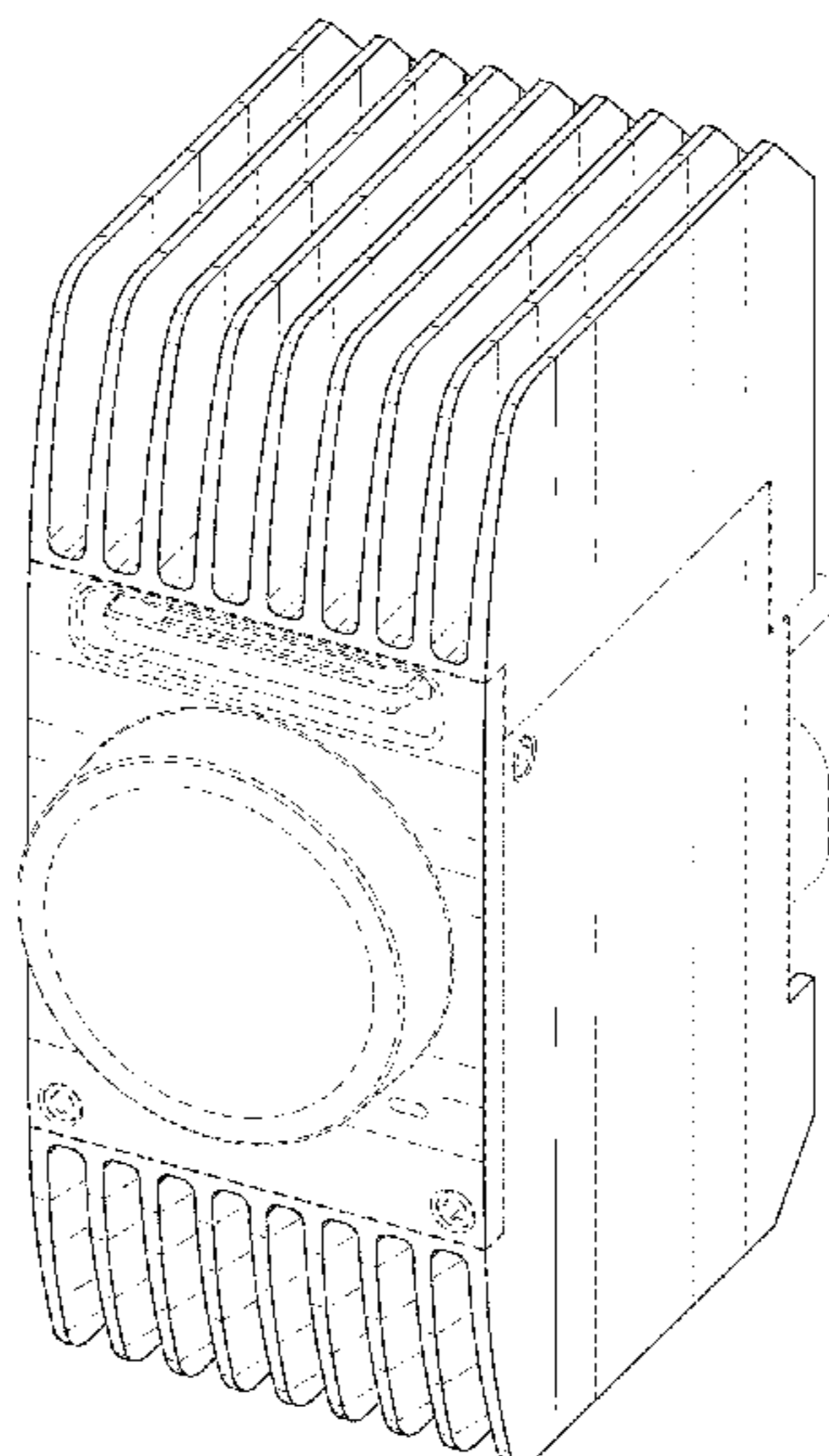
The ornamental design for a camera module, as shown.

**DESCRIPTION**

FIG. 1 is a front perspective view of the camera module;  
FIG. 2 is back perspective view thereof;  
FIG. 3 is a front view thereof;  
FIG. 4 is a back view thereof;  
FIG. 5 is a right side view thereof;  
FIG. 6 is a left side view thereof;  
FIG. 7 is a bottom view thereof; and,  
FIG. 8 is a top view thereof.

The broken lines in the drawings illustrate portions of the camera module which form no part of the claimed design.

**1 Claim, 7 Drawing Sheets**



(56)

**References Cited**

U.S. PATENT DOCUMENTS

2013/0182179	A1*	7/2013	Page .....	H04N 5/2253 348/373
2014/0153916	A1*	6/2014	Kintner .....	G03B 17/561 396/419
2014/0160274	A1*	6/2014	Ishida .....	G01S 19/14 348/113
2015/0049243	A1*	2/2015	Samuels .....	G03B 17/568 348/374
2016/0381267	A1*	12/2016	Waldron .....	G02B 13/005 348/169
2017/0019573	A1*	1/2017	Chambers .....	H04N 5/2252
2017/0064159	A1*	3/2017	Lee .....	H04N 5/2252

\* cited by examiner

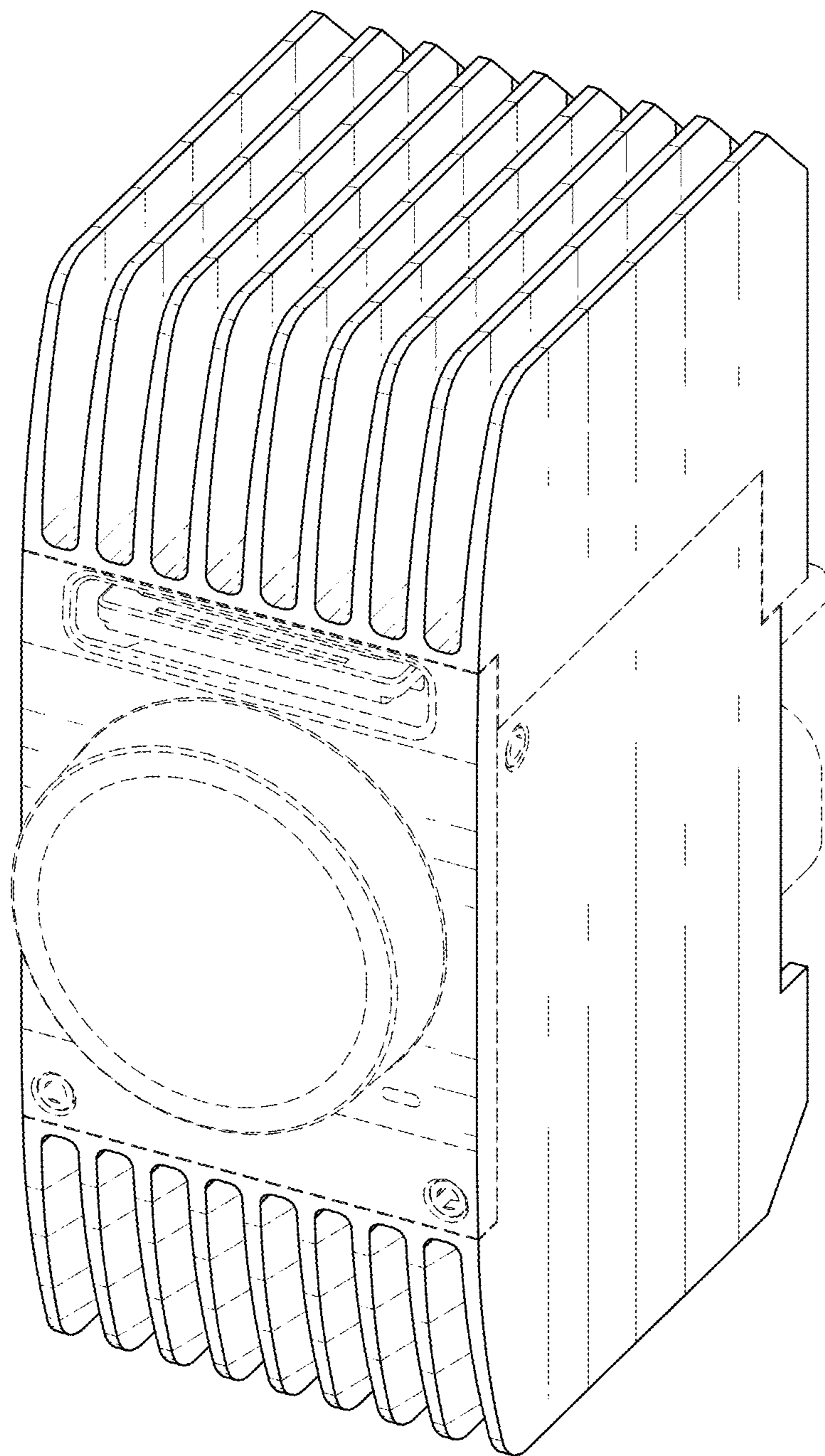


FIG. 1

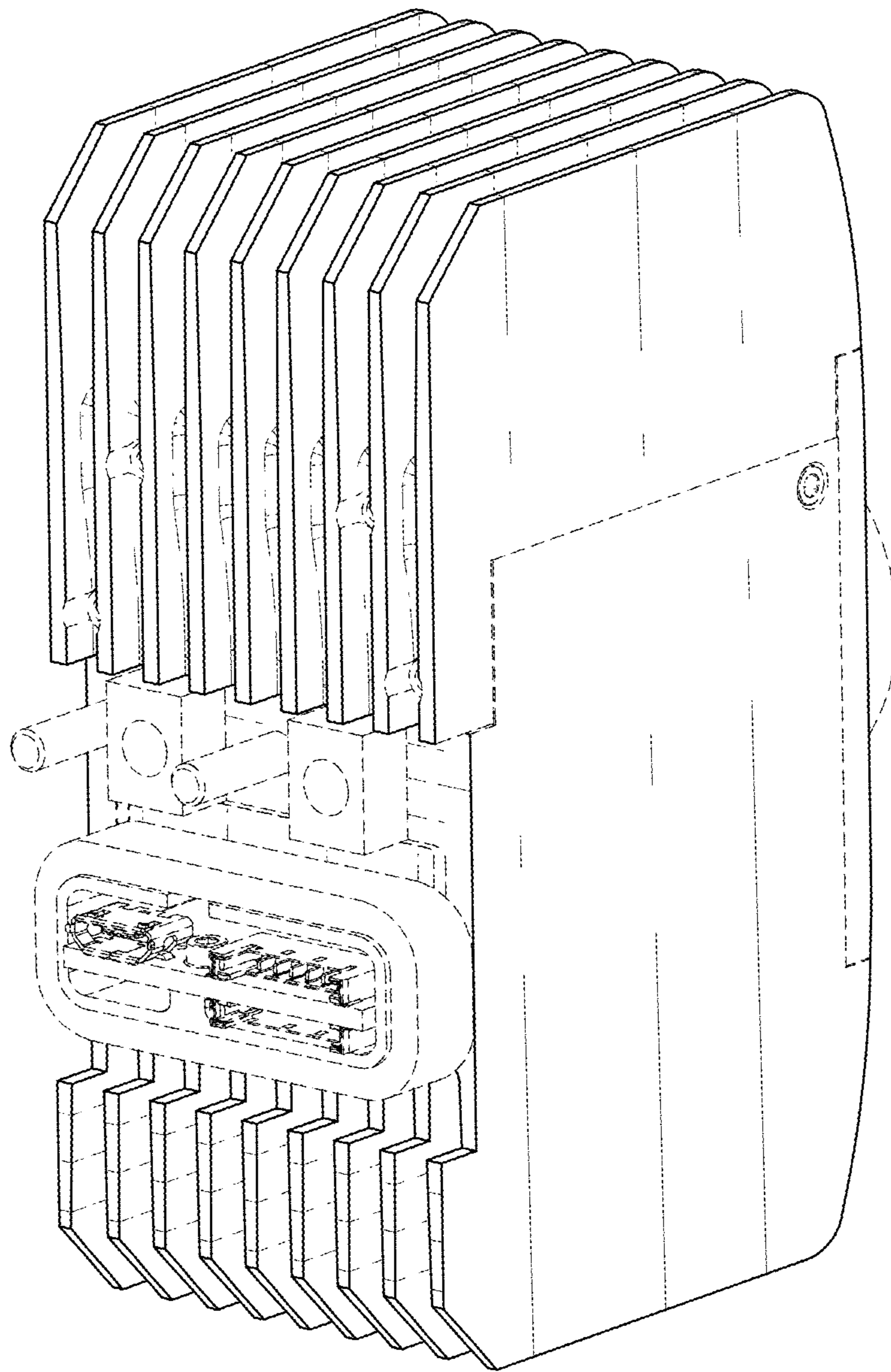


FIG. 2

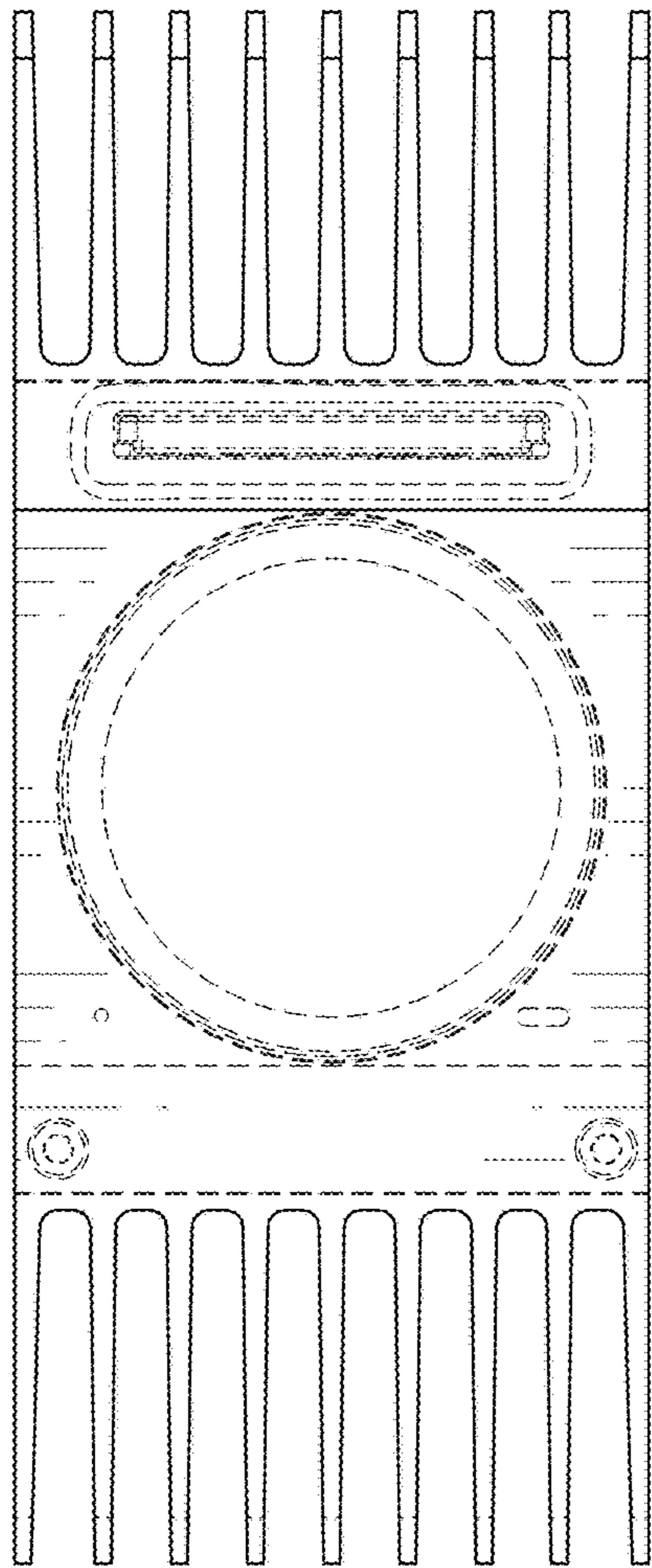


FIG. 3

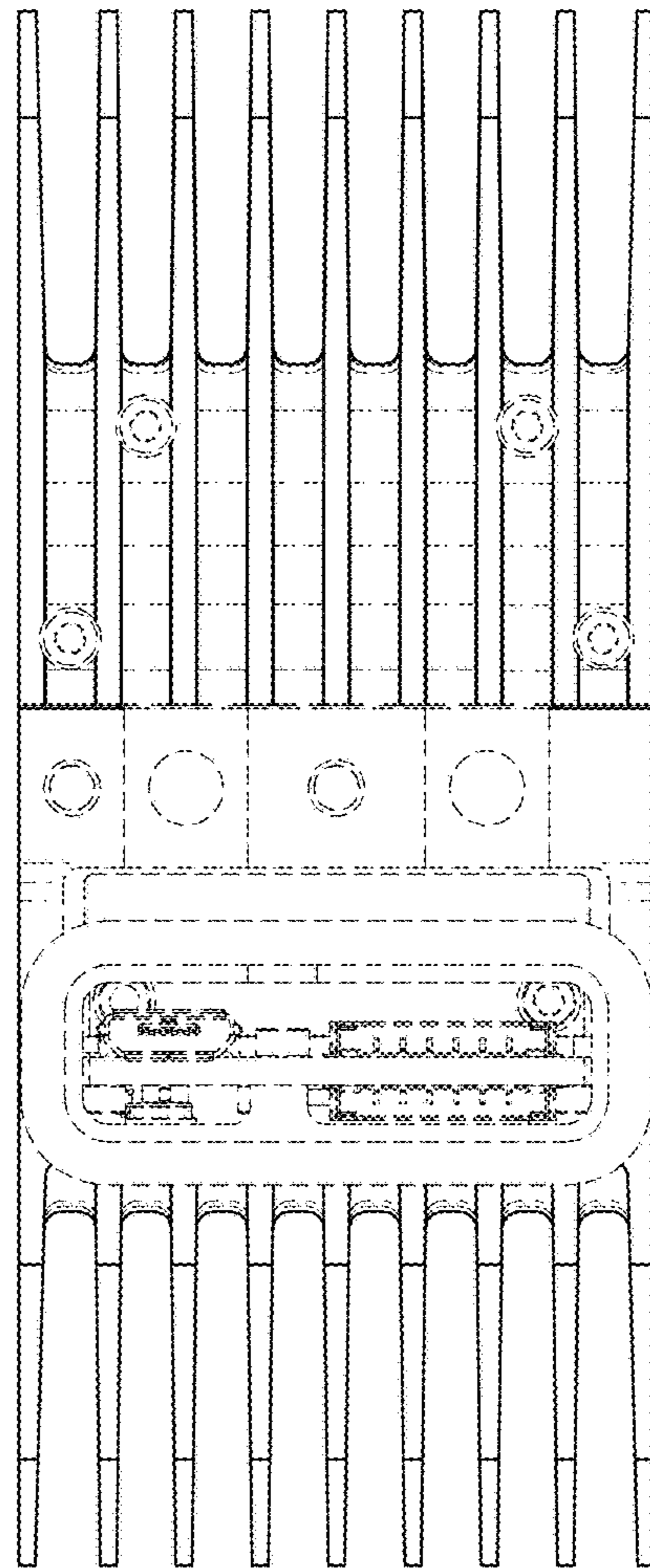


FIG. 4

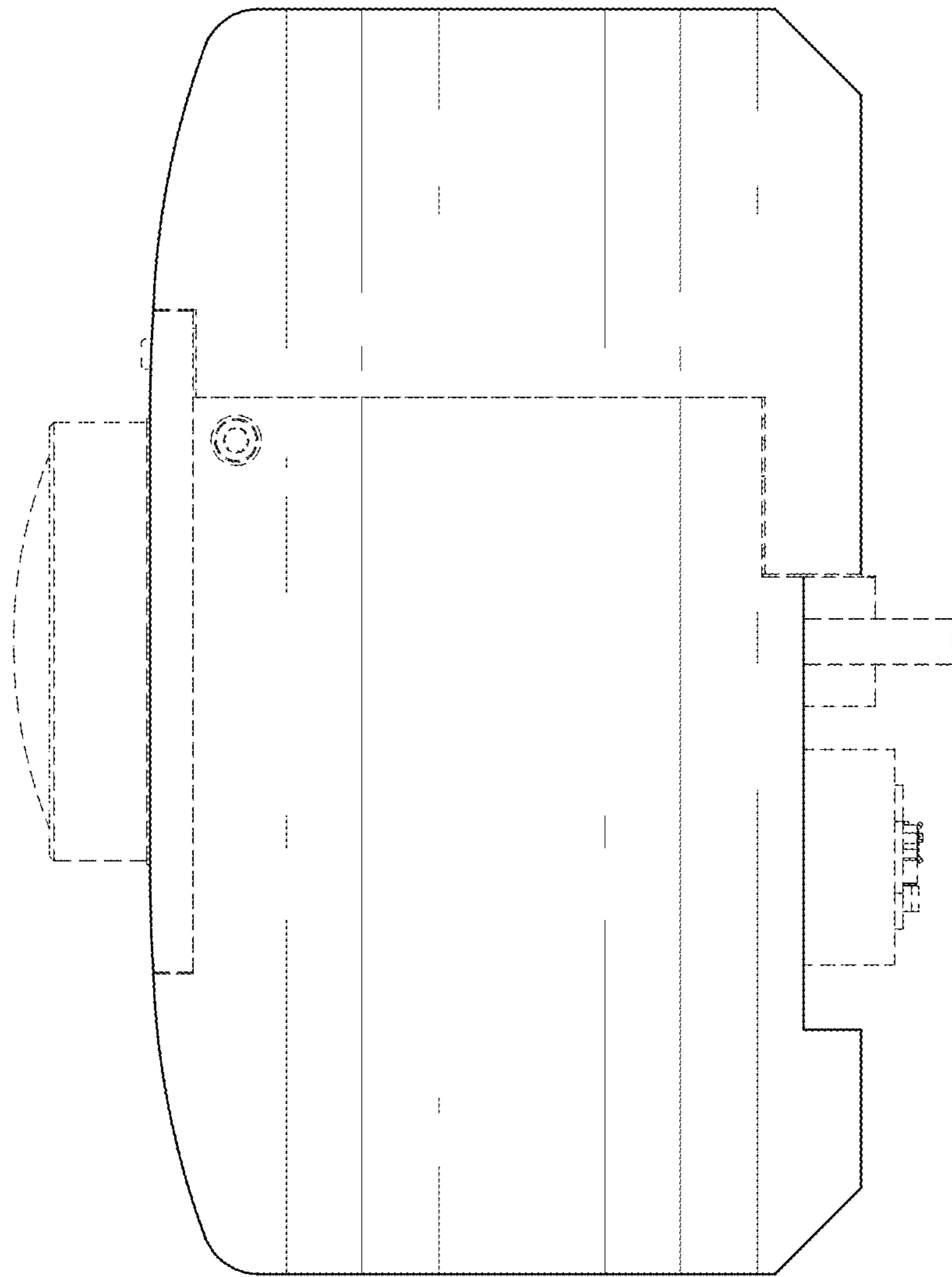


FIG. 5

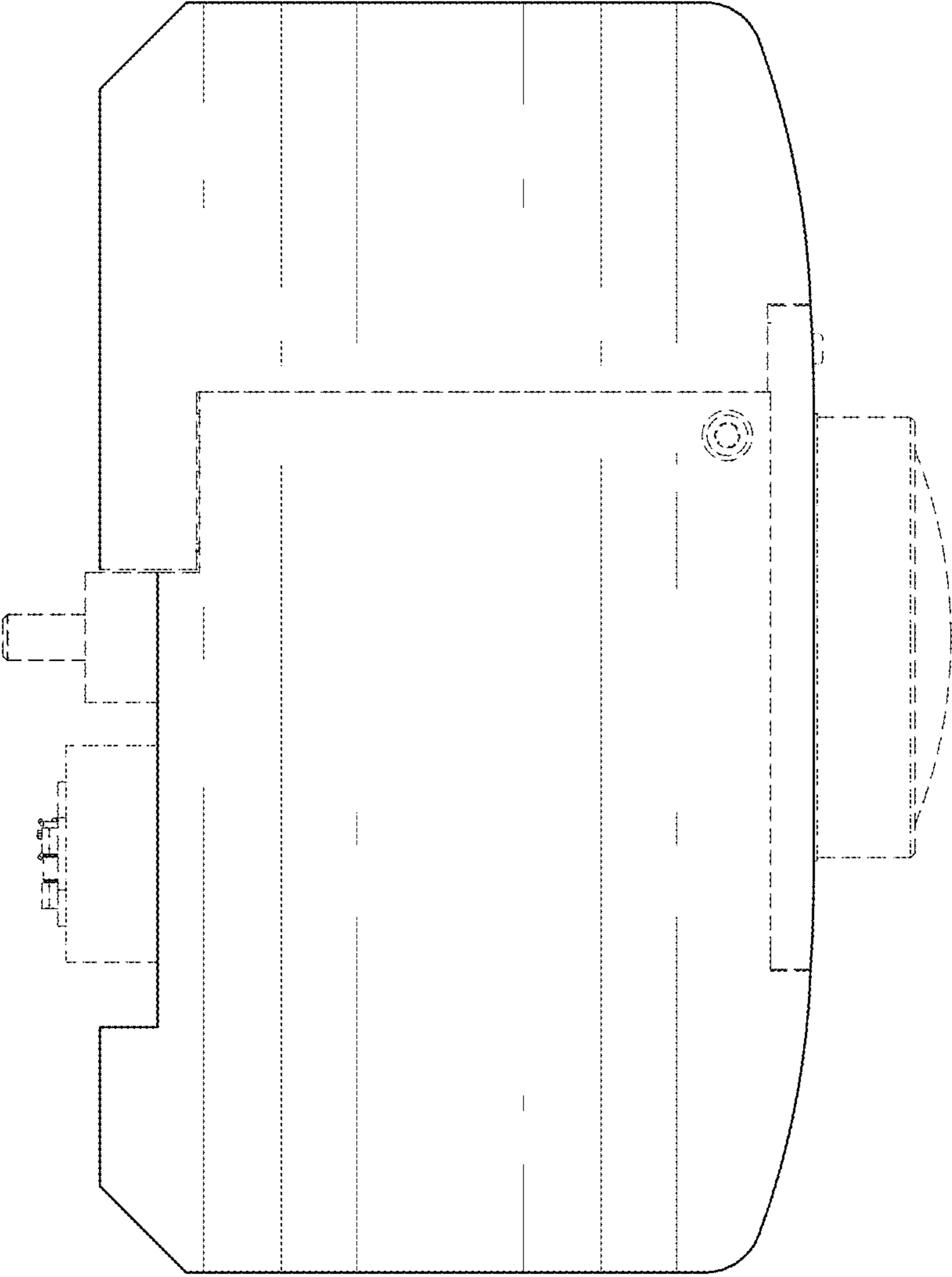
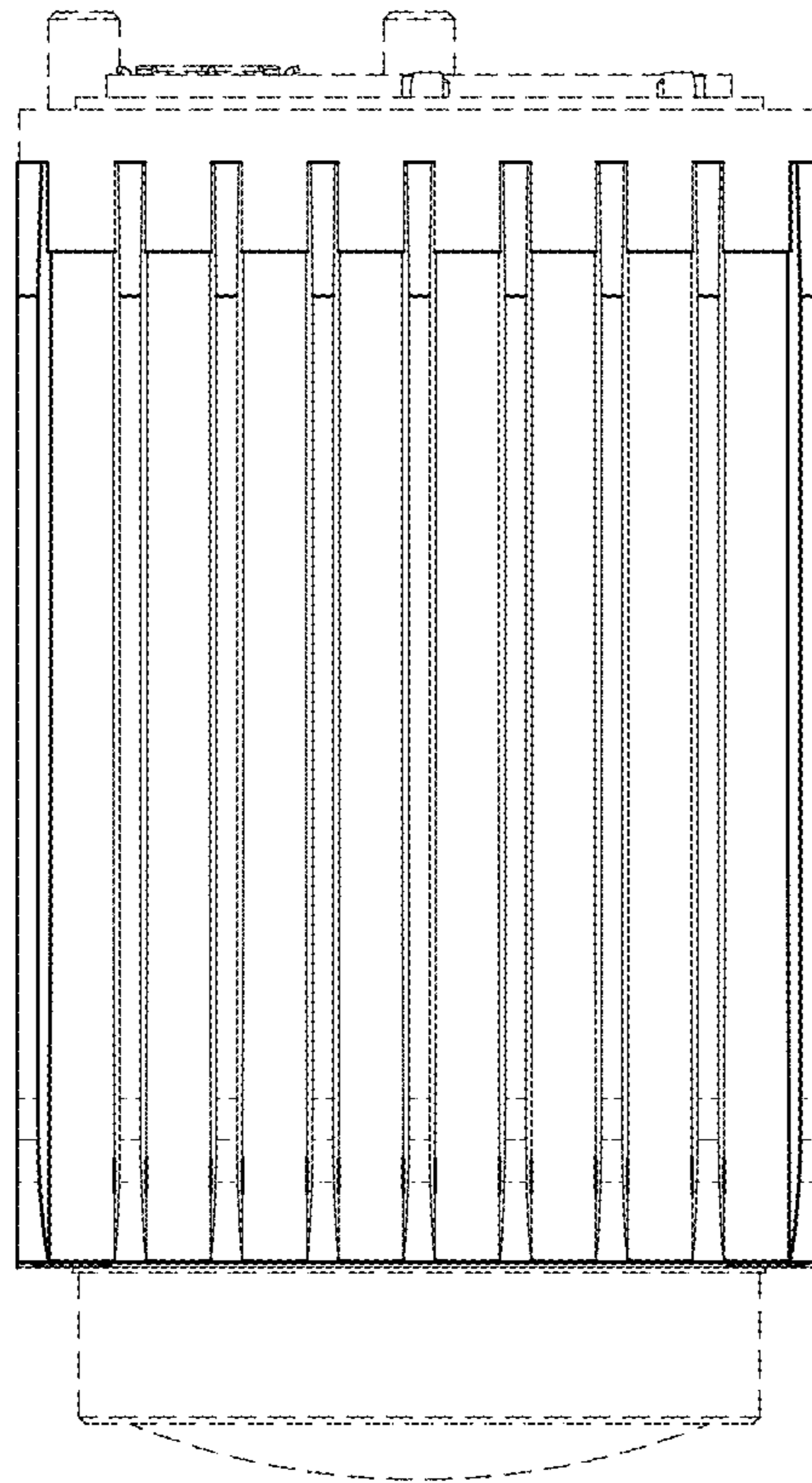


FIG. 6



*FIG. 7*



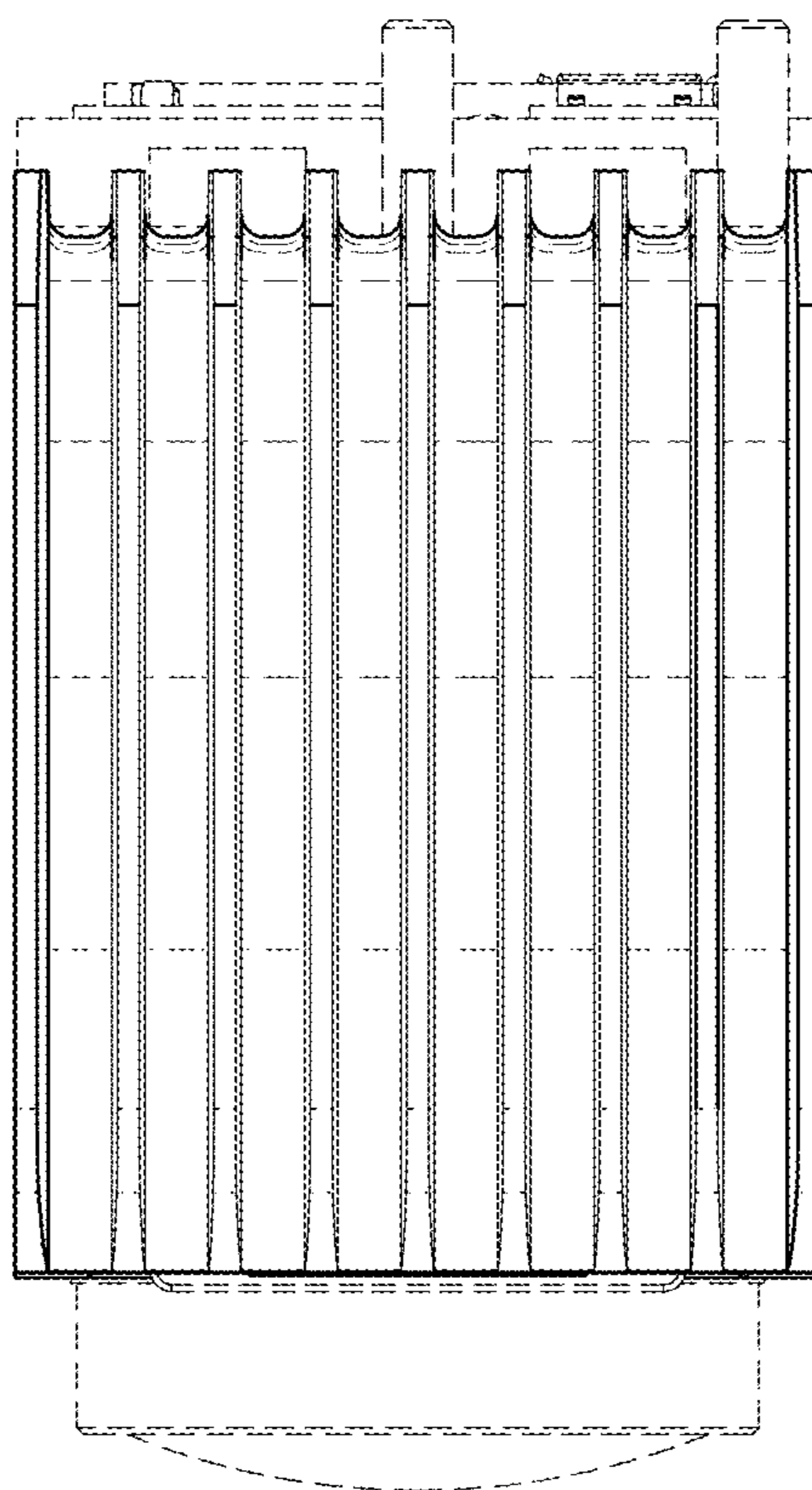


FIG. 8