



US00D813929S

(12) **United States Design Patent**  
**van Hoff et al.**

(10) **Patent No.:** **US D813,929 S**

(45) **Date of Patent:** **\*\* Mar. 27, 2018**

(54) **CAMERA HOUSING COMPONENT WITH HEAT DISSIPATION**

(71) Applicant: **Jaunt Inc.**, Palo Alto, CA (US)

(72) Inventors: **Arthur van Hoff**, Palo Alto, CA (US);  
**Thomas M. Annau**, Palo Alto, CA (US); **Jens Christensen**, Palo Alto, CA (US); **Koji Gardiner**, Palo Alto, CA (US); **Punit Govenji**, Palo Alto, CA (US); **James Dunn**, Palo Alto, CA (US)

(\*\*) Term: **15 Years**

(21) Appl. No.: **29/539,426**

(22) Filed: **Sep. 14, 2015**

(51) **LOC (11) Cl.** ..... **16-05**

(52) **U.S. Cl.**  
USPC ..... **D16/219; D13/179**

(58) **Field of Classification Search**  
USPC ..... D16/200, 202–206, 208, 218, 219;  
D13/179; 348/373–376; 396/535,  
396/539–541  
CPC ..... G03B 15/03; G03B 17/02; G03B 17/04;  
G03B 17/56; G03B 19/04; H04N 5/2251;  
H04N 5/2252; H04N 5/2253; H04N  
5/2254; H04N 2101/00  
See application file for complete search history.

(56) **References Cited**

**U.S. PATENT DOCUMENTS**

D409,641 S \* 5/1999 Uehara ..... D16/202  
D428,392 S \* 7/2000 Mizutani ..... D13/179  
D494,989 S \* 8/2004 Nagata ..... D16/200

D501,016 S \* 1/2005 Hamilton ..... D16/202  
D570,303 S \* 6/2008 Horng ..... D13/179  
D570,794 S \* 6/2008 Horng ..... D13/179  
D643,380 S \* 8/2011 Tan ..... D13/179  
D671,584 S \* 11/2012 Ohno ..... D16/202  
D696,707 S \* 12/2013 Guastadini ..... D16/202  
D720,789 S \* 1/2015 Minamide ..... D16/203  
D774,584 S \* 12/2016 Walters ..... D16/200  
D786,331 S \* 5/2017 van Hoff ..... D16/219  
2009/0067133 A1 \* 3/2009 Li ..... H01L 23/34  
361/709

\* cited by examiner

*Primary Examiner* — Philip S Hyder

*Assistant Examiner* — Ramzi Almatrahi

(74) *Attorney, Agent, or Firm* — Burbage Law, P.C.;  
Jon-Michael Burbage

(57) **CLAIM**

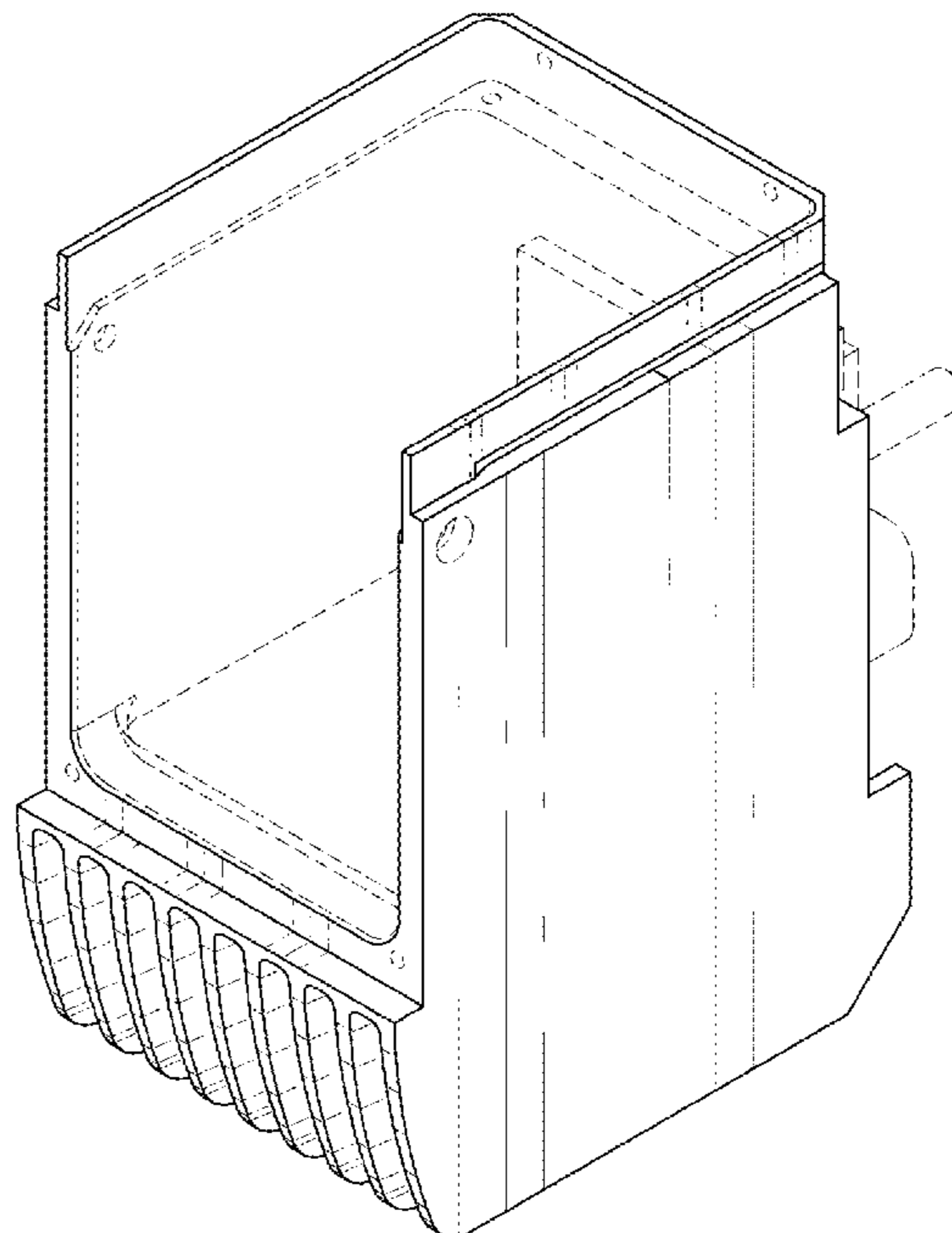
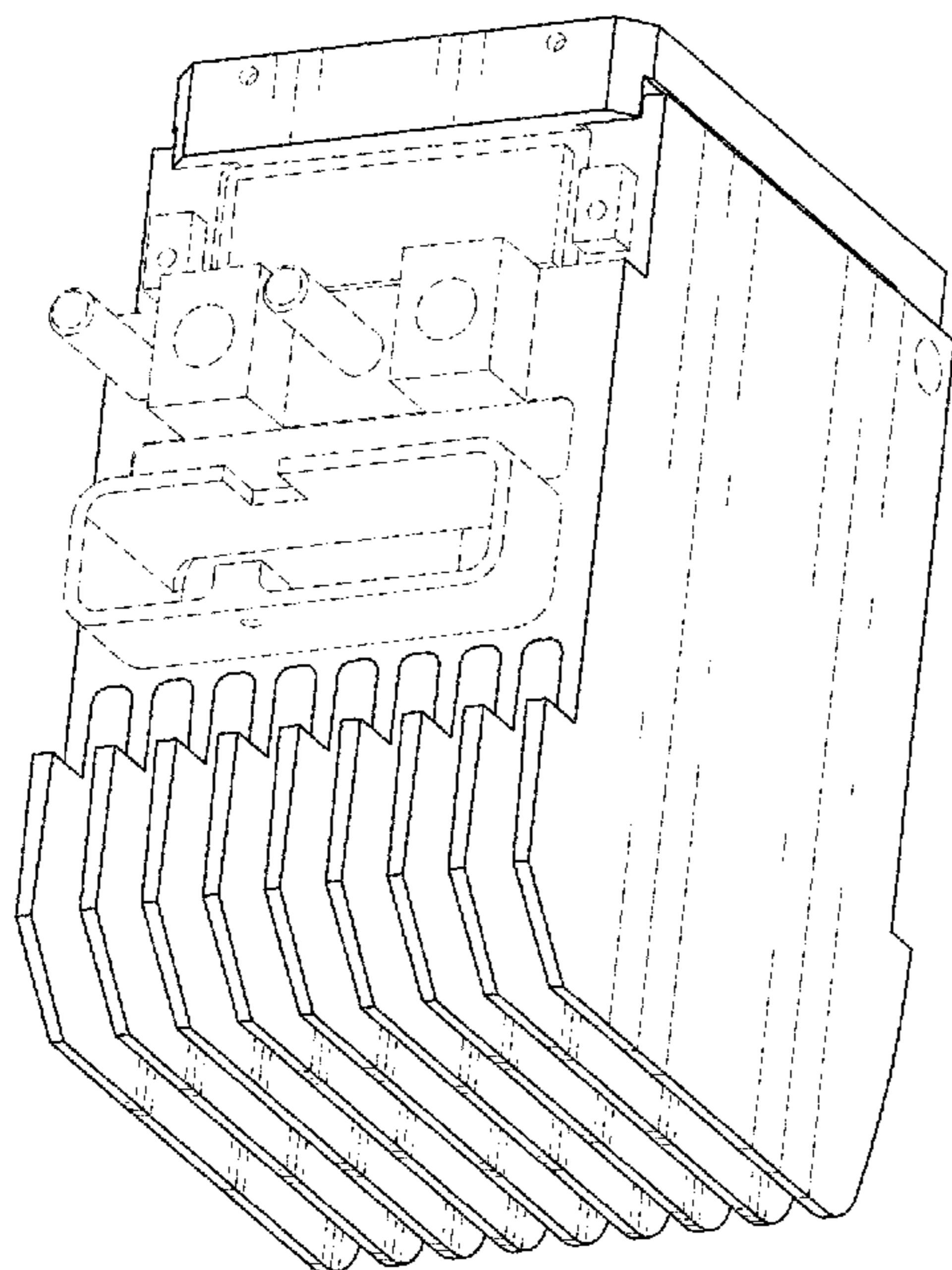
The ornamental design for a camera housing component with heat dissipation, as shown and described.

**DESCRIPTION**

FIG. 1 is a bottom, back, and left side perspective view of a camera housing component with heat dissipation; FIG. 2 is top, front, and right side perspective view thereof; FIG. 3 is a top, front, and left side perspective view thereof; FIG. 4 is a back view thereof; FIG. 5 is a front view thereof; FIG. 6 is a right side view thereof; FIG. 7 is a left side view thereof; FIG. 8 is a bottom view thereof; and, FIG. 9 is a top view thereof.

The broken lines depict portions of the camera housing component with heat dissipation in which the design is embodied that form no part of the claimed design.

**1 Claim, 8 Drawing Sheets**



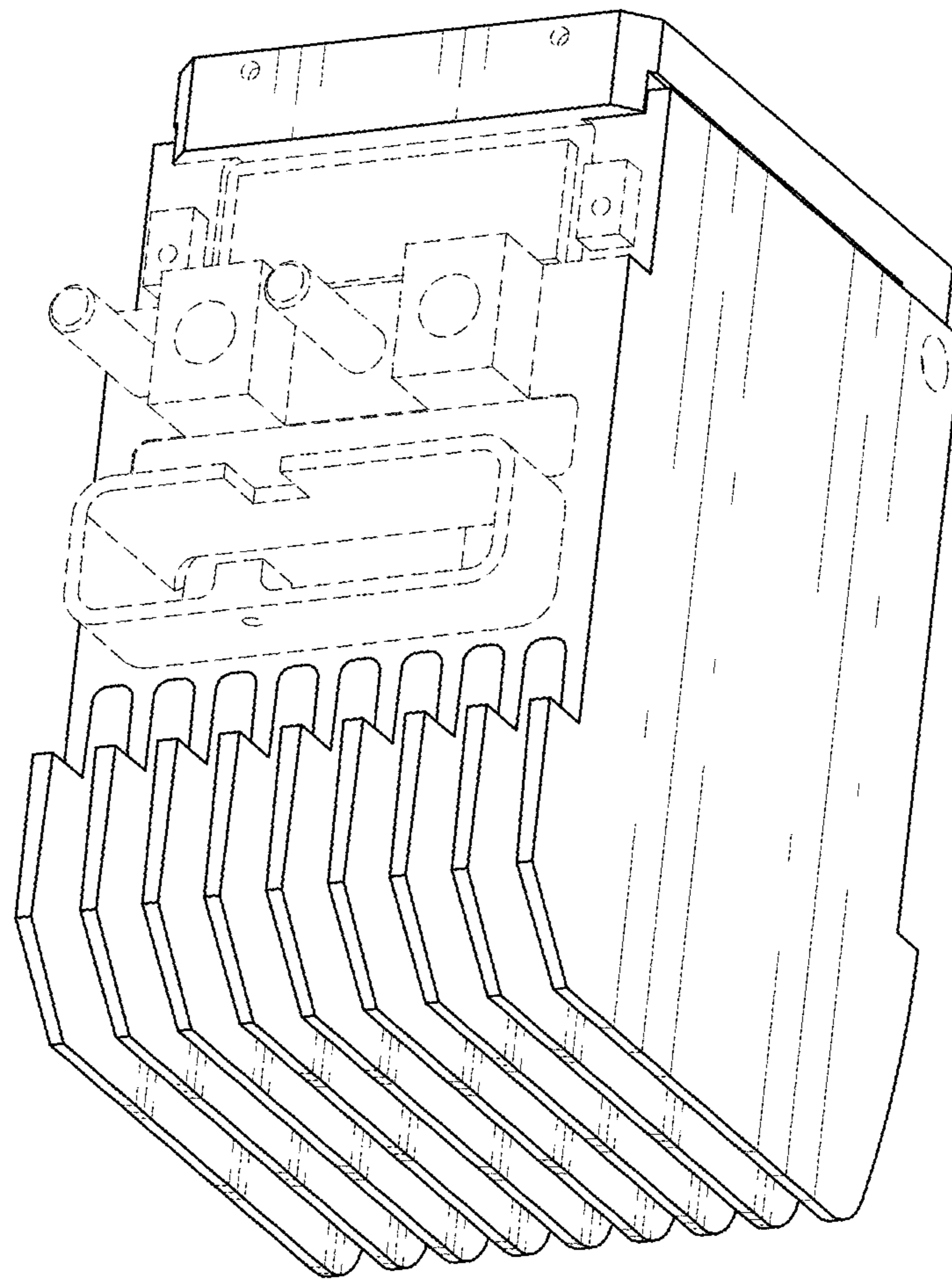


FIG. 1

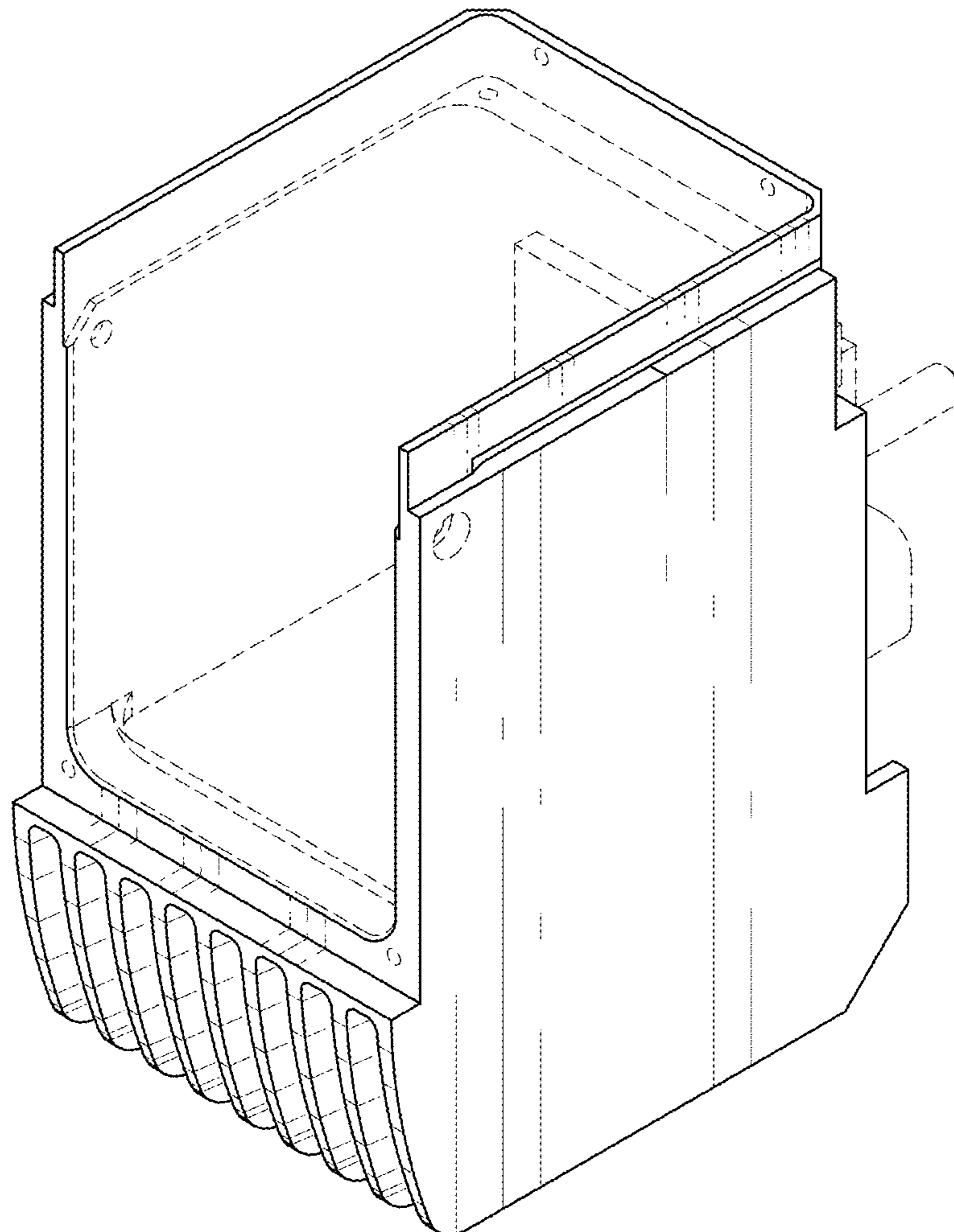


FIG. 2

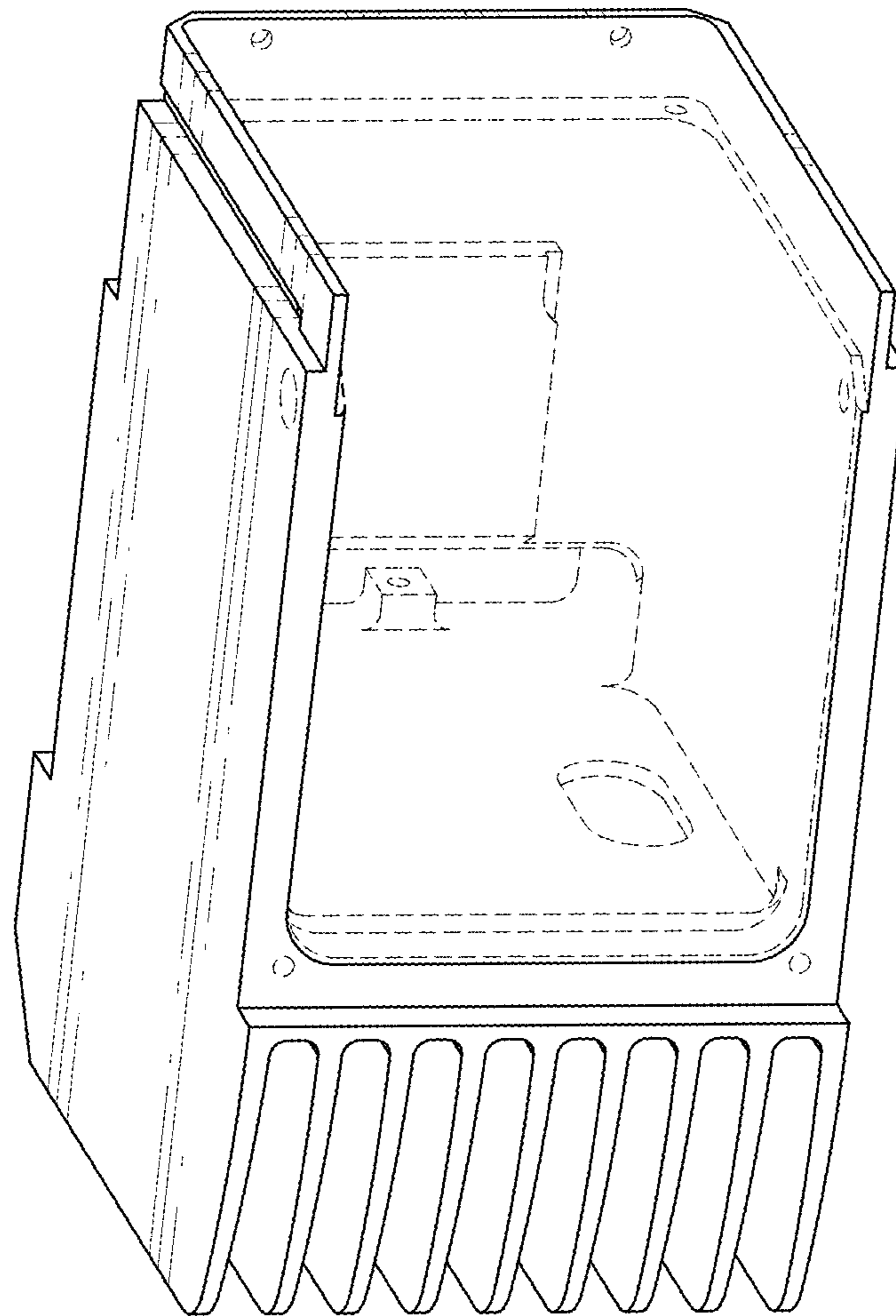
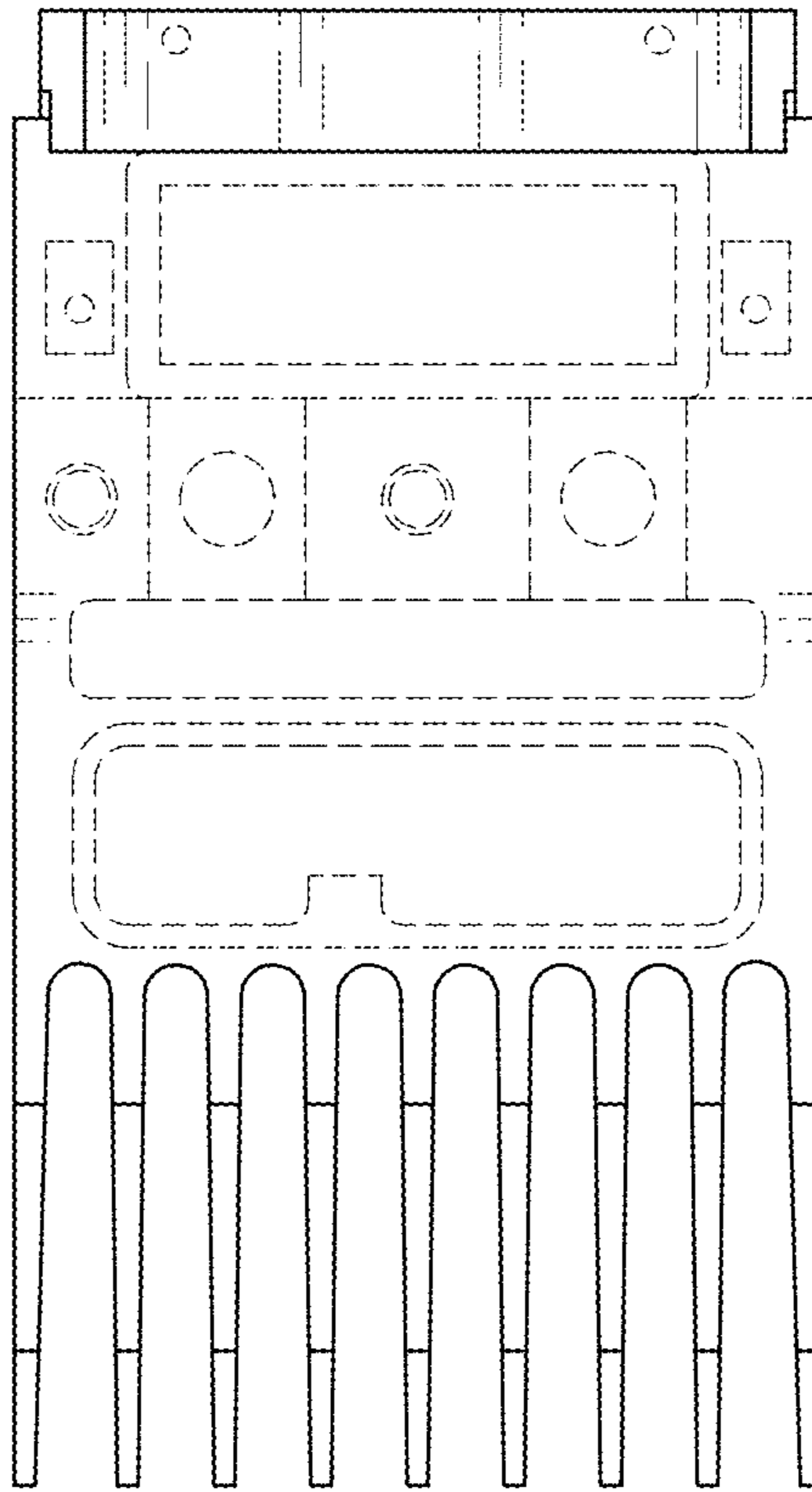
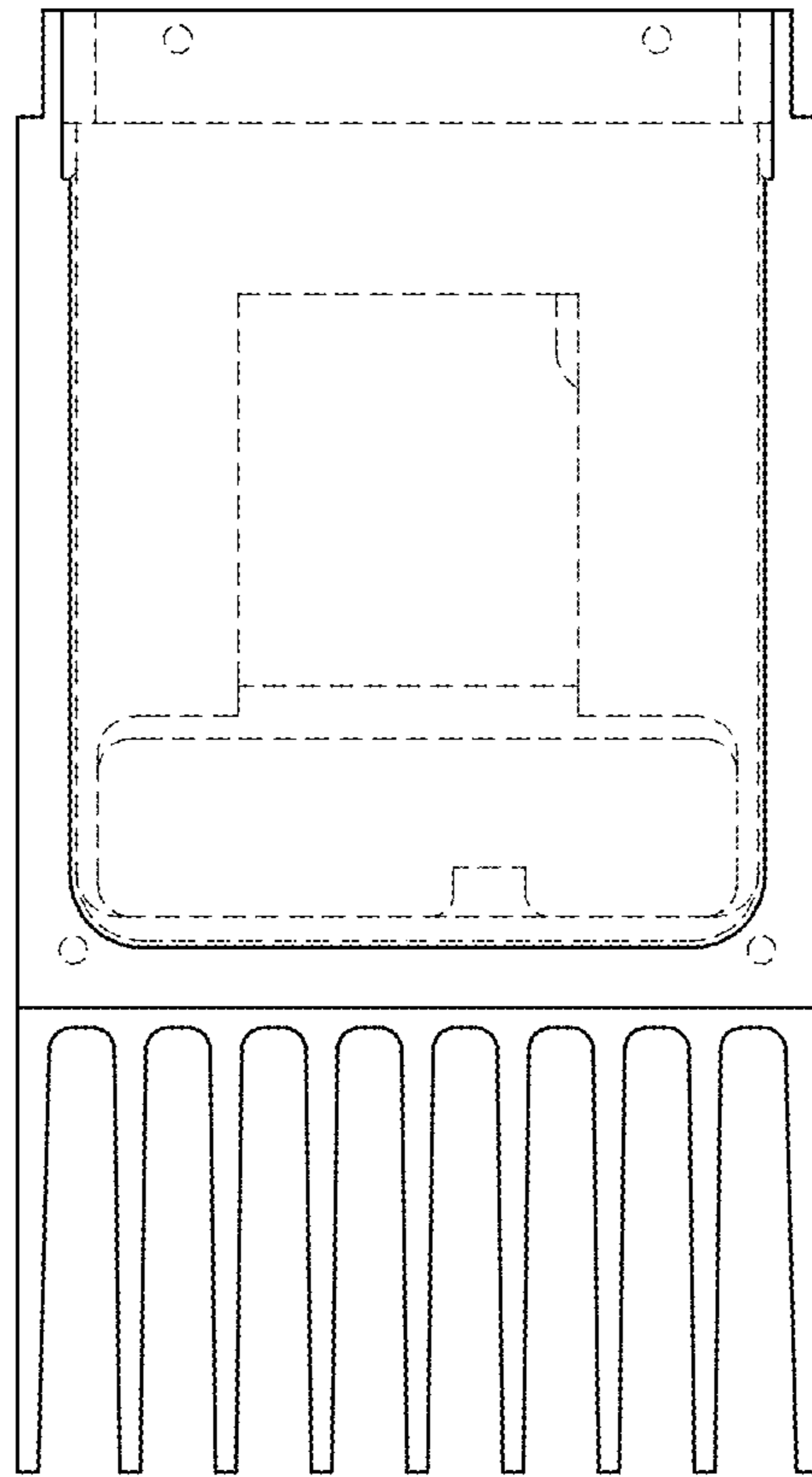


FIG. 3



*FIG. 4*



*FIG. 5*

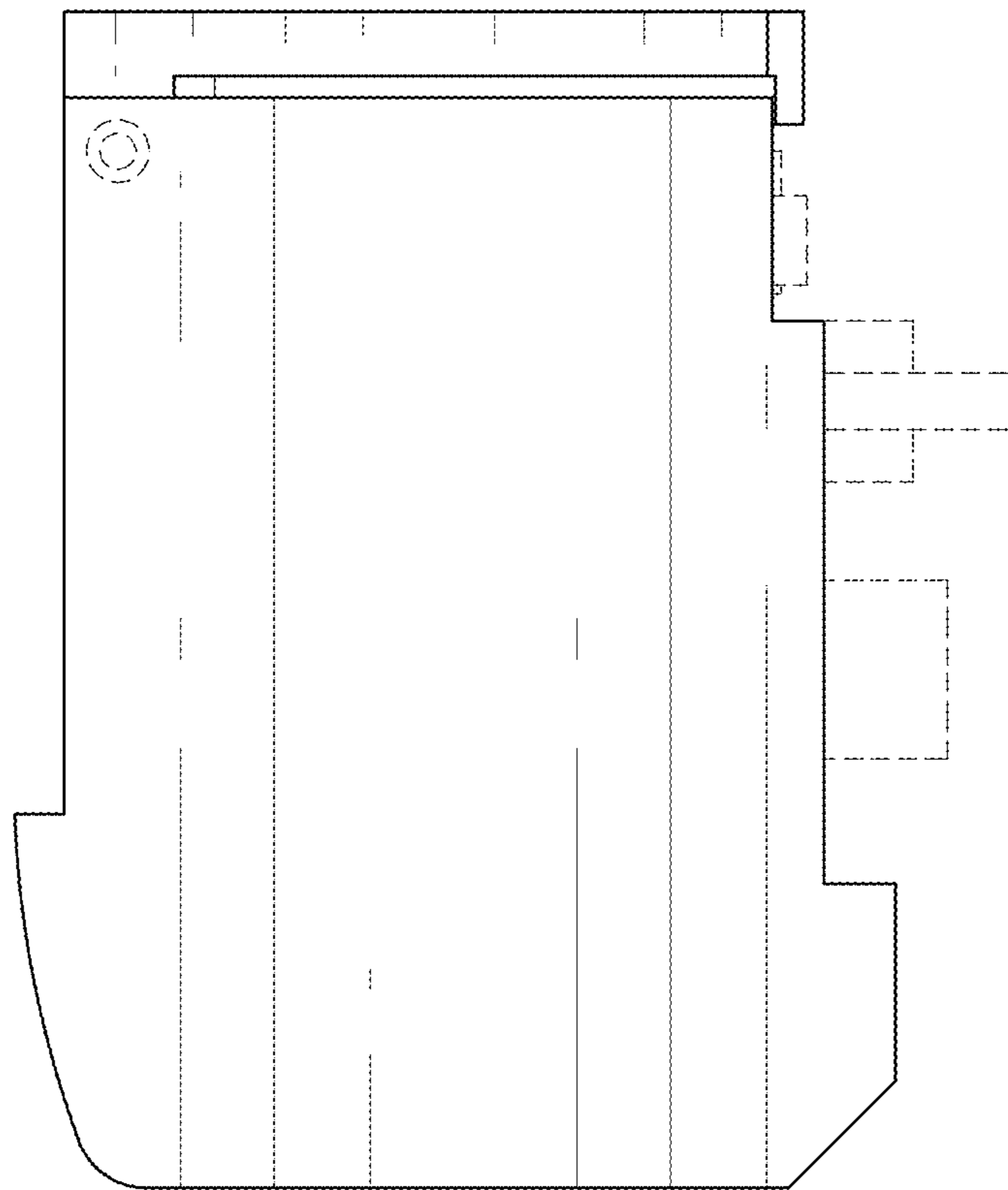


FIG. 6

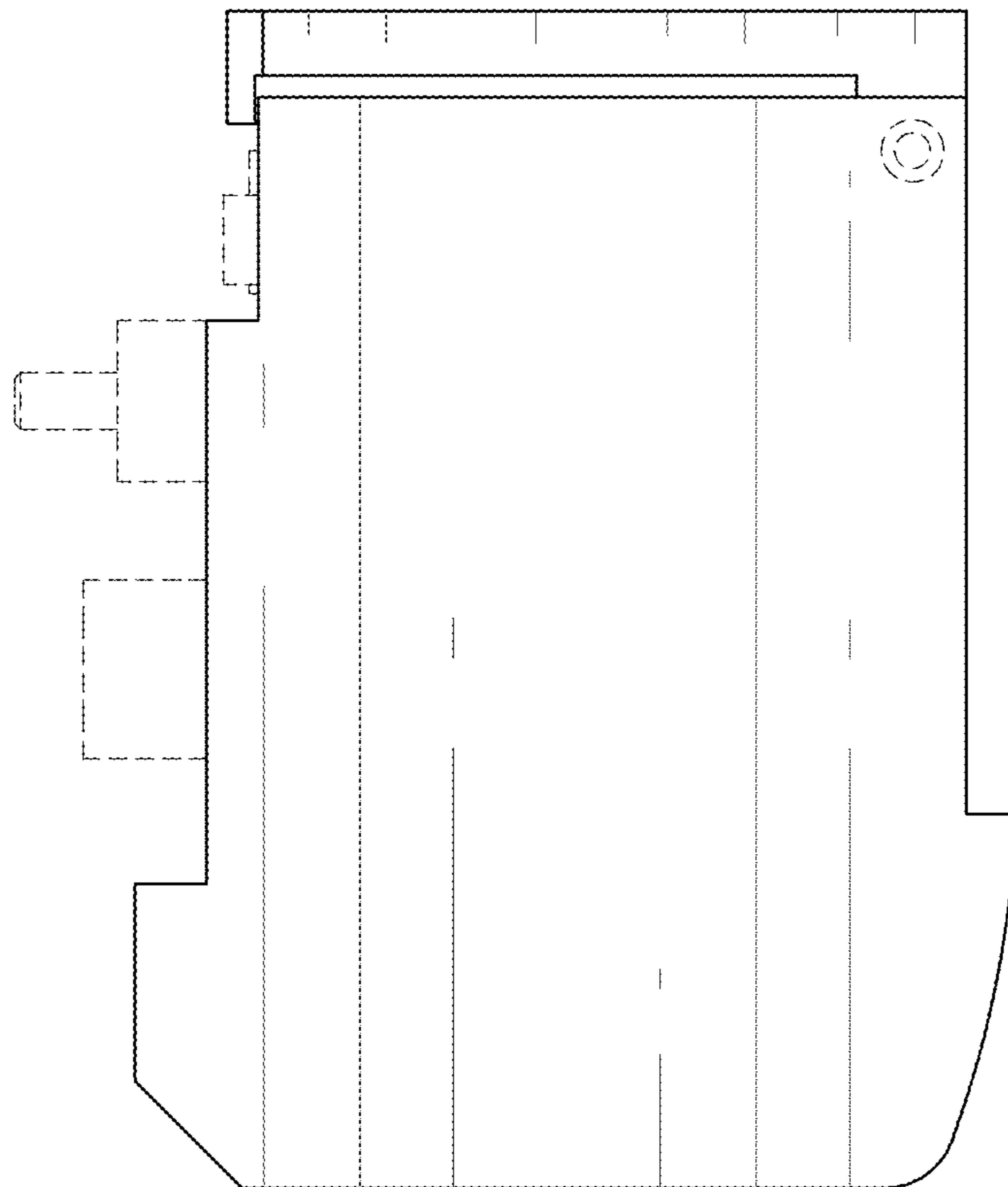


FIG. 7



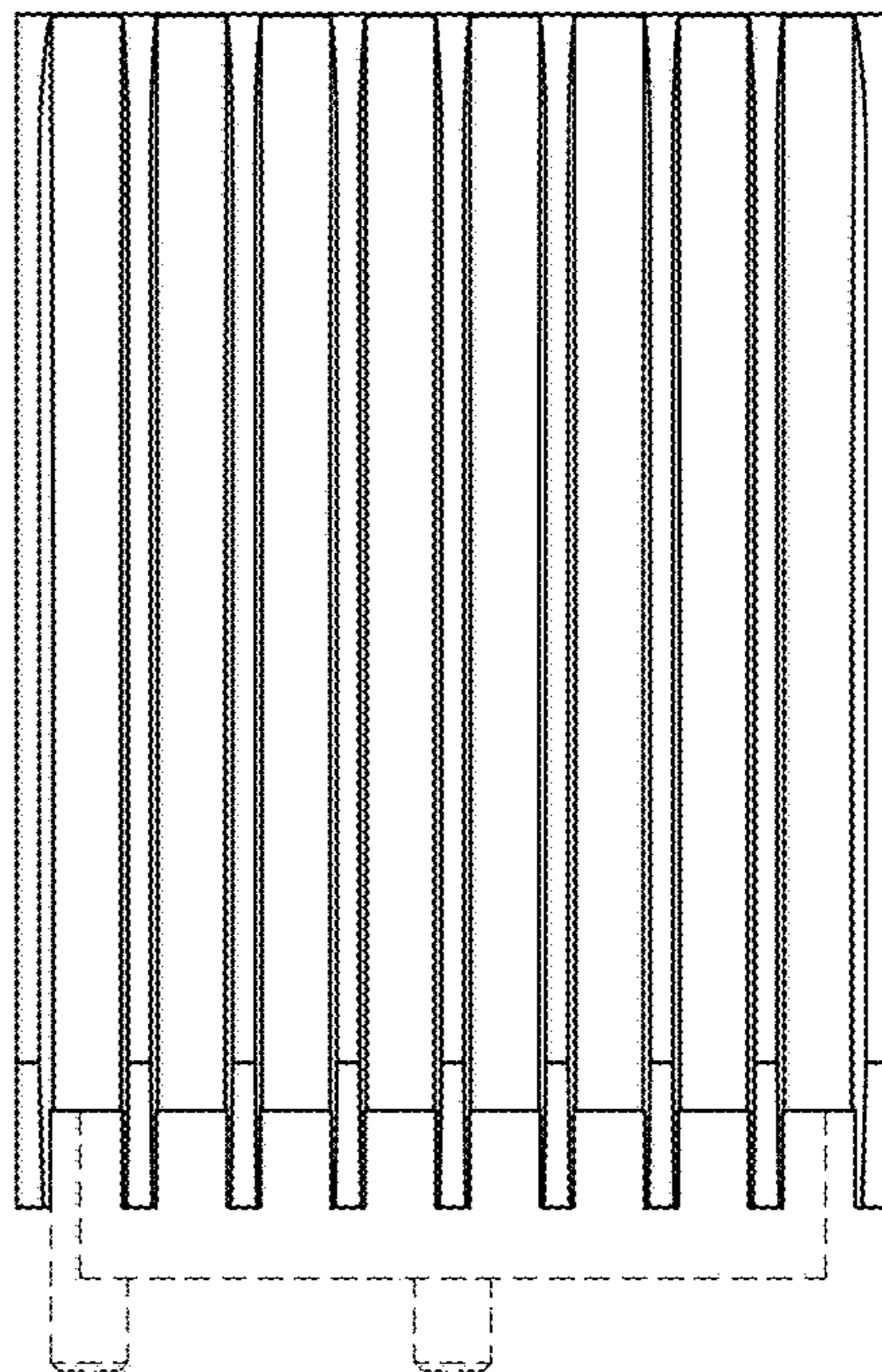


FIG. 8

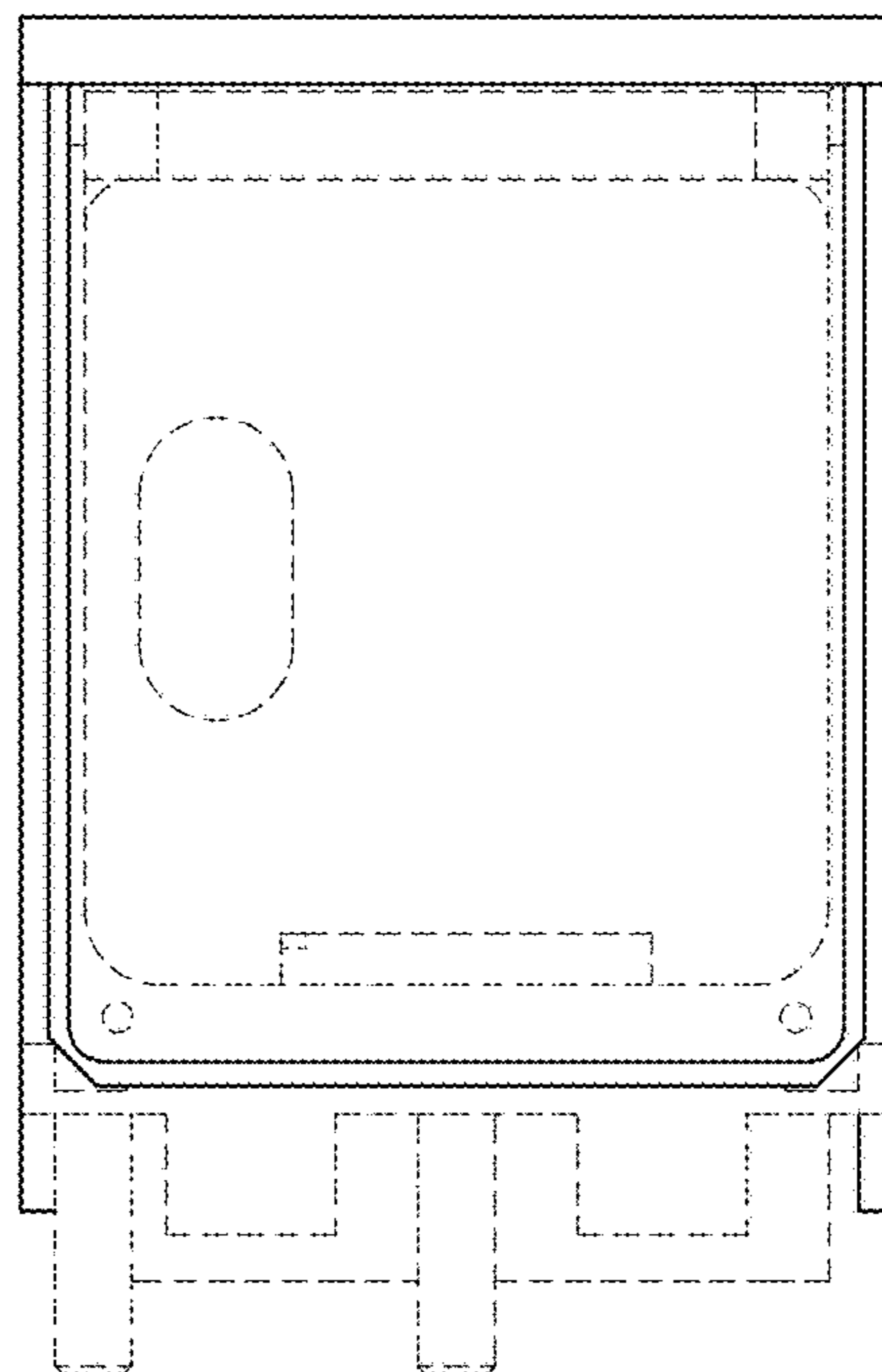


FIG. 9