



US00D813928S

(12) **United States Design Patent**
van Hoff et al.

(10) **Patent No.:** **US D813,928 S**

(45) **Date of Patent:** **** Mar. 27, 2018**

(54) **CAMERA HOUSING COMPONENT WITH HEAT DISSIPATION**

(71) Applicant: **Jaunt Inc.**, Palo Alto, CA (US)

(72) Inventors: **Arthur van Hoff**, Palo Alto, CA (US);
Thomas M. Annau, Palo Alto, CA (US); **Jens Christensen**, Palo Alto, CA (US); **Koji Gardiner**, Palo Alto, CA (US); **Punit Govenji**, Palo Alto, CA (US); **James Dunn**, Palo Alto, CA (US)

(**) Term: **15 Years**

(21) Appl. No.: **29/539,423**

(22) Filed: **Sep. 14, 2015**

(51) **LOC (11) Cl.** **16-05**

(52) **U.S. Cl.**
USPC **D16/219**; D13/179

(58) **Field of Classification Search**
USPC D16/200, 202–206, 208, 218, 219;
D13/179; 348/373–376; 396/535,
396/539–541
CPC G03B 15/03; G03B 17/02; G03B 17/04;
G03B 17/56; G03B 19/04; H04N 5/2251;
H04N 5/2252; H04N 5/2253; H04N
5/2254; H04N 2101/00
See application file for complete search history.

(56) **References Cited**

U.S. PATENT DOCUMENTS

D409,641 S * 5/1999 Uehara D16/202
D428,392 S * 7/2000 Mizutani D13/179
D494,989 S * 8/2004 Nagata D16/200

D501,016 S * 1/2005 Hamilton D16/202
D570,303 S * 6/2008 Horng D13/179
D570,794 S * 6/2008 Horng D13/179
D643,380 S * 8/2011 Tan D13/179
D671,584 S * 11/2012 Ohno D16/202
D696,707 S * 12/2013 Guastadini D16/202
D720,789 S * 1/2015 Minamide D16/203
D774,584 S * 12/2016 Walters D16/200
D786,331 S * 5/2017 van Hoff D16/219
2009/0067133 A1 * 3/2009 Li H01L 23/34
361/709

* cited by examiner

Primary Examiner — Philip S Hyder

Assistant Examiner — Ramzi Almatrahi

(74) *Attorney, Agent, or Firm* — Burbage Law, P.C.;
Jon-Michael Burbage

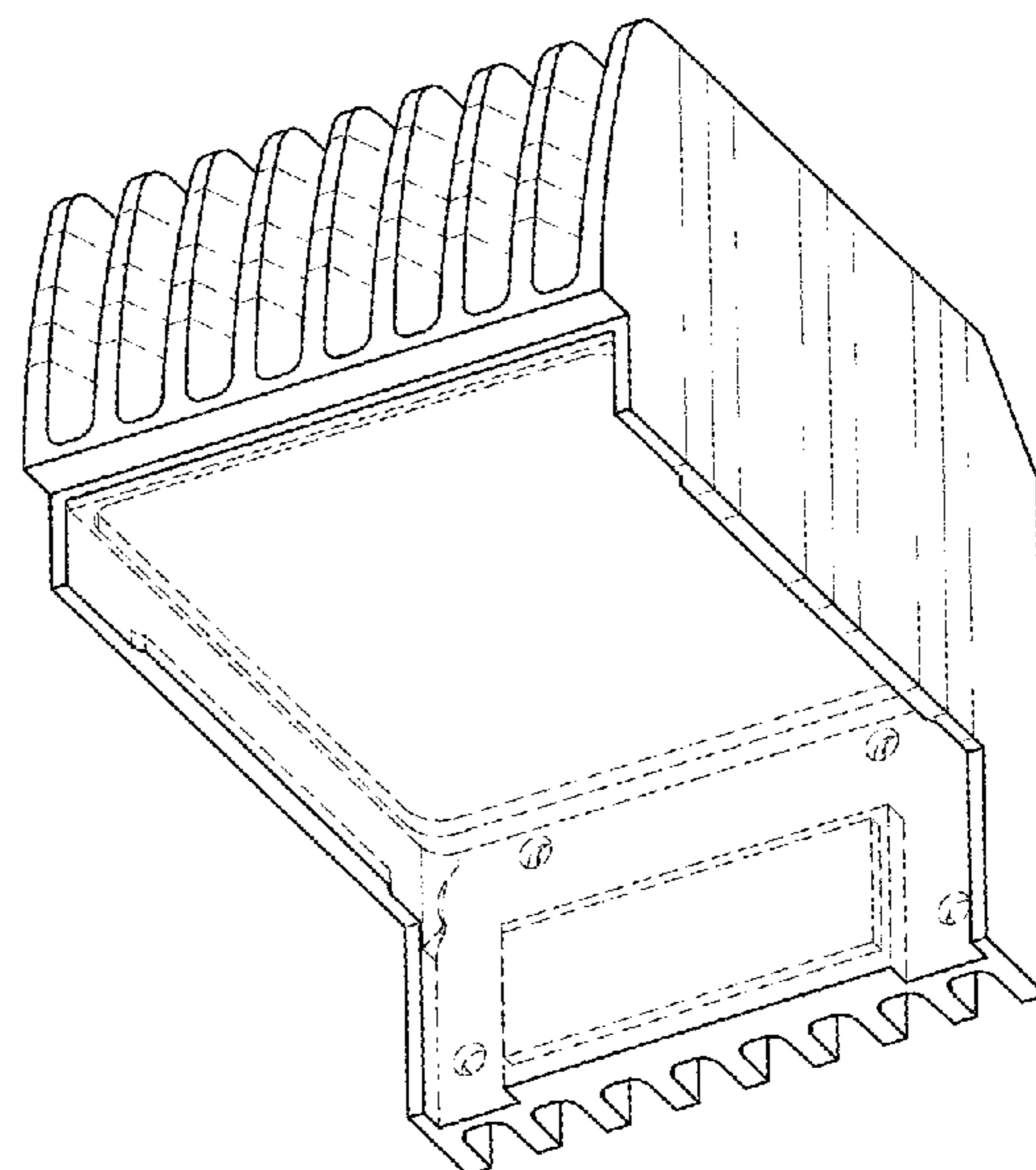
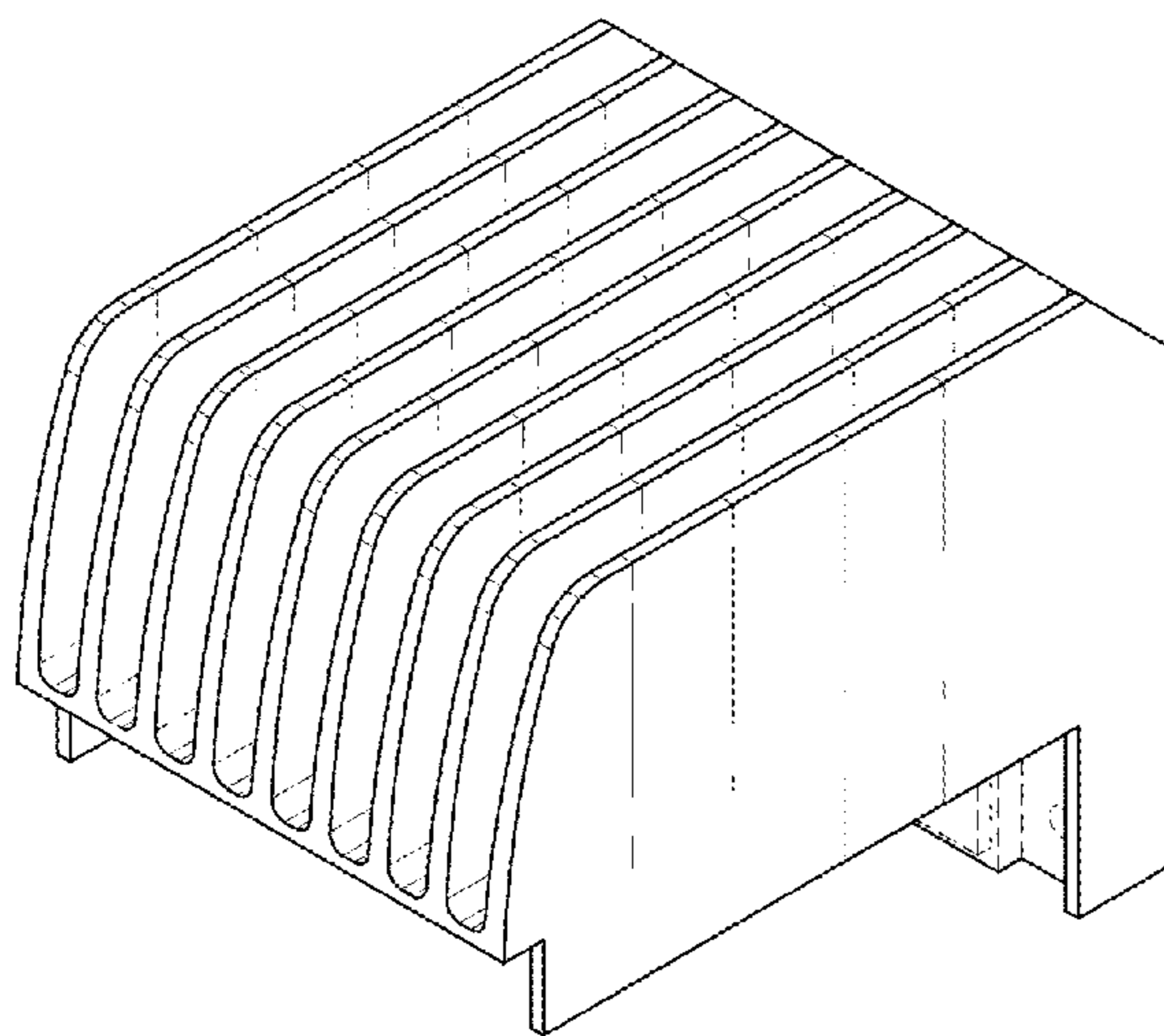
(57) **CLAIM**

The ornamental design for a camera housing component with heat dissipation, as shown and described.

DESCRIPTION

FIG. 1 is a top perspective view of a camera housing component with heat dissipation;
FIG. 2 is a bottom perspective view thereof;
FIG. 3 is a back perspective view thereof;
FIG. 4 is a front view thereof;
FIG. 5 is a back view thereof;
FIG. 6 is a bottom view thereof;
FIG. 7 is a top view thereof;
FIG. 8 is a right side view thereof; and,
FIG. 9 is a left side view thereof.
The broken lines depict portions of the camera housing component with heat dissipation in which the design is embodied that form no part of the claimed design.

1 Claim, 5 Drawing Sheets



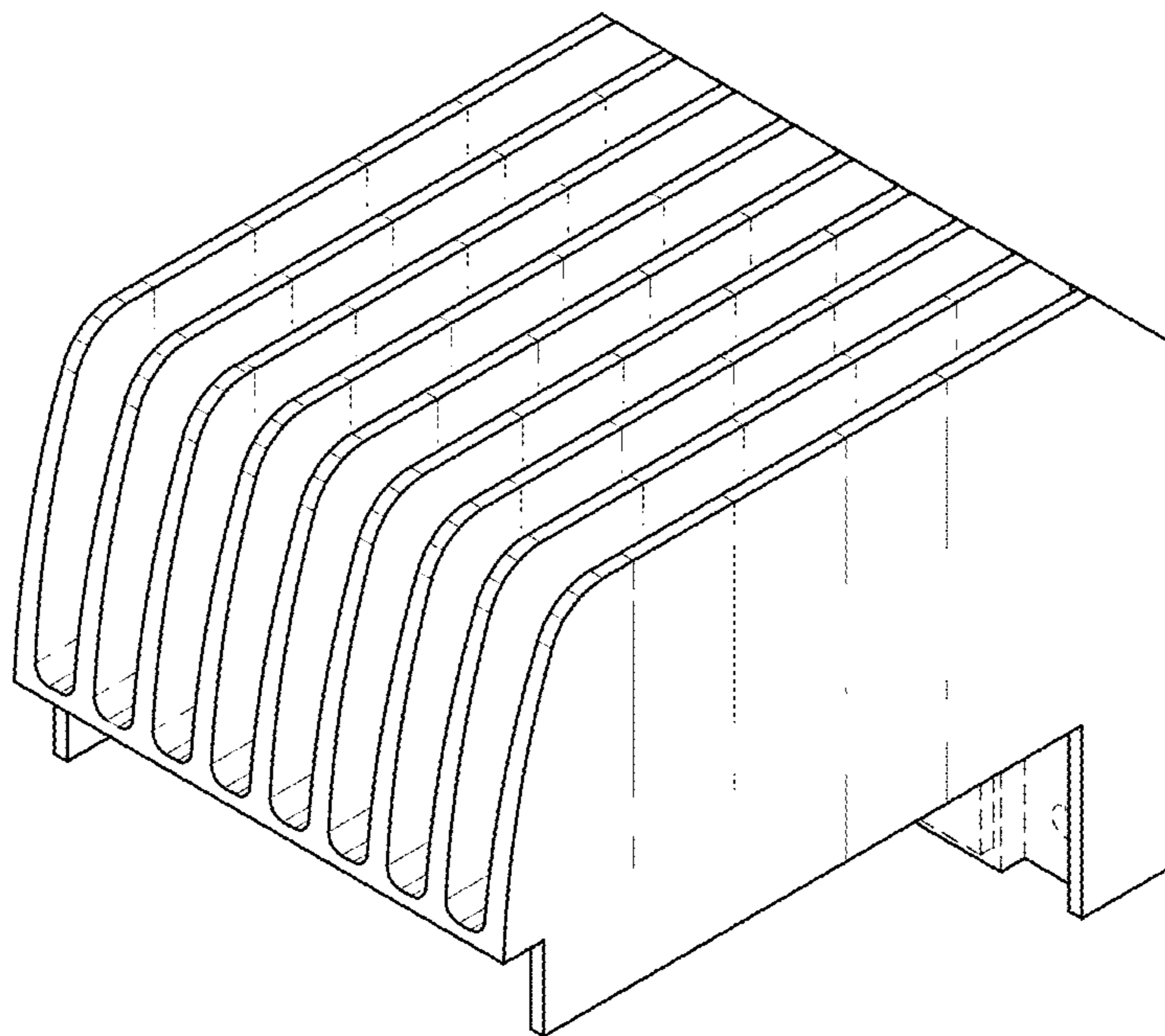


FIG. 1

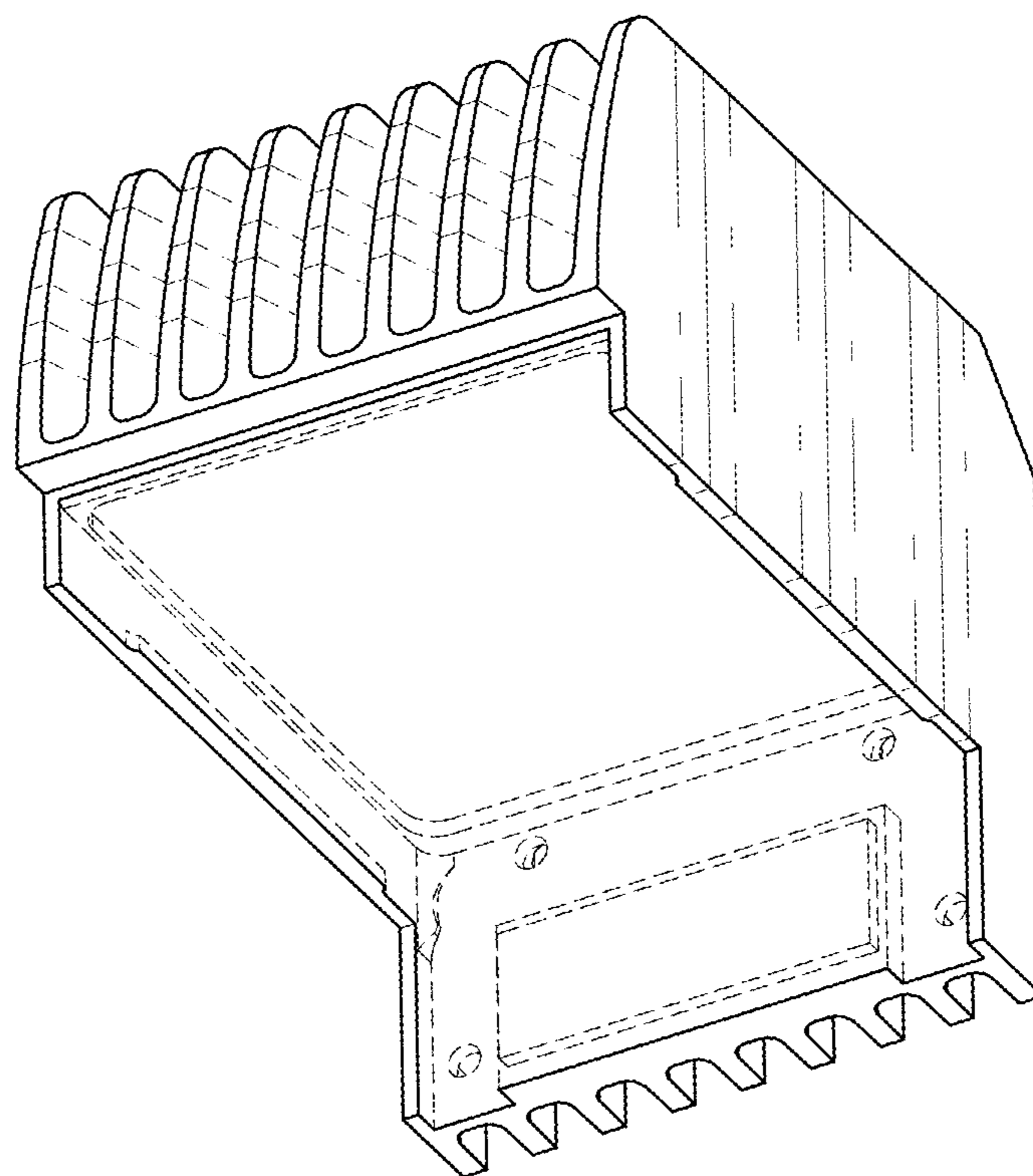


FIG. 2

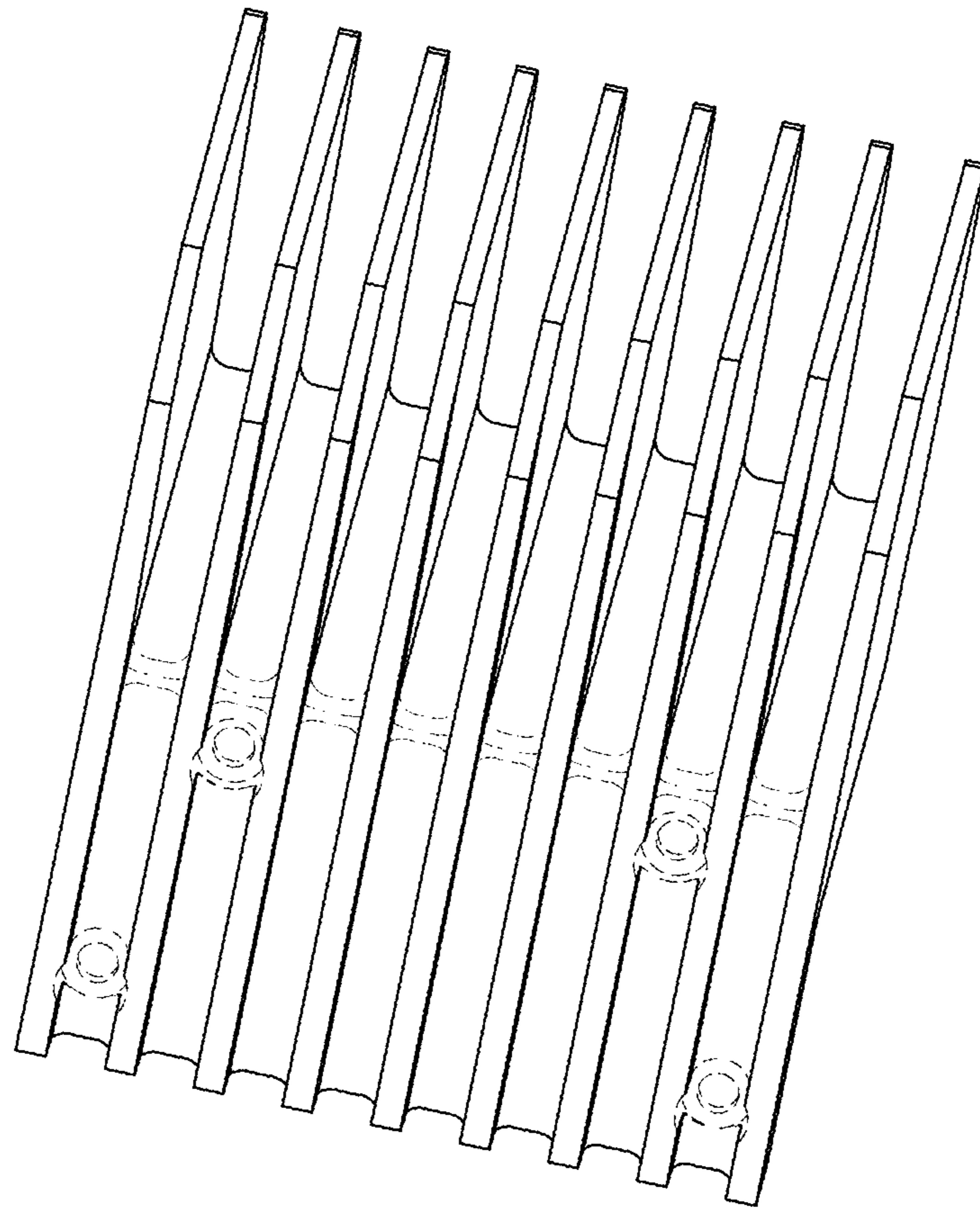


FIG. 3

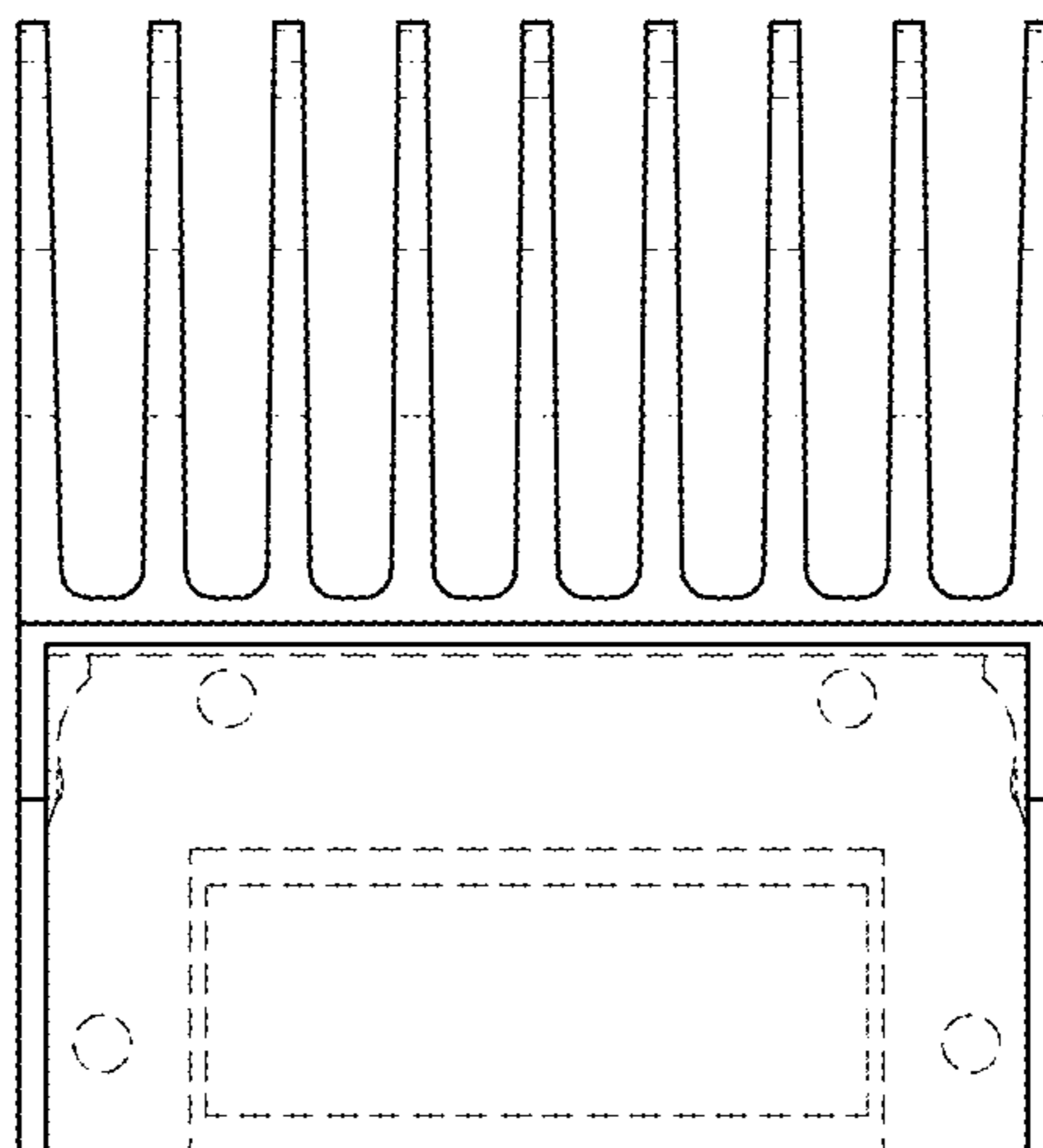


FIG. 4

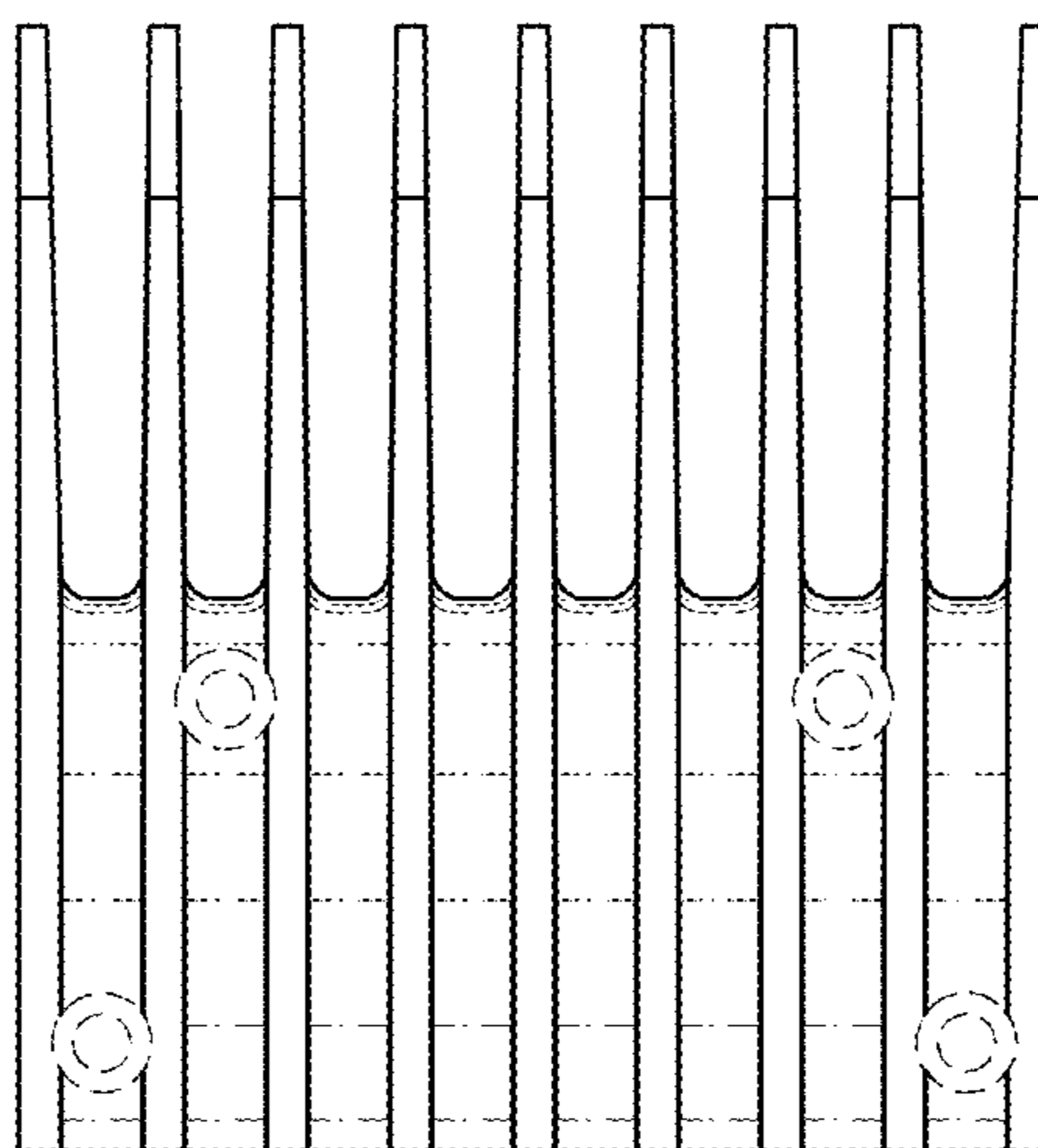


FIG. 5

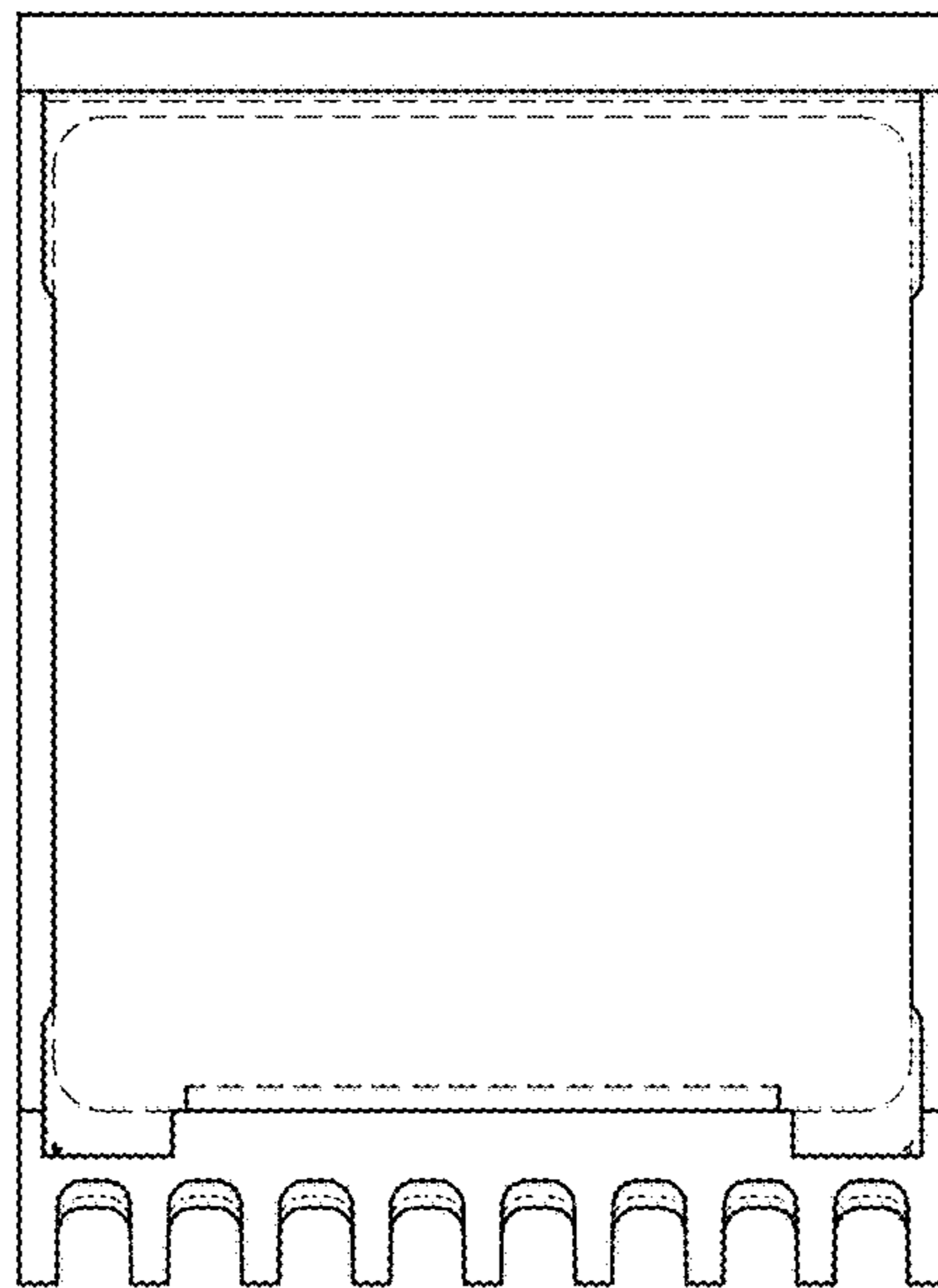


FIG. 6

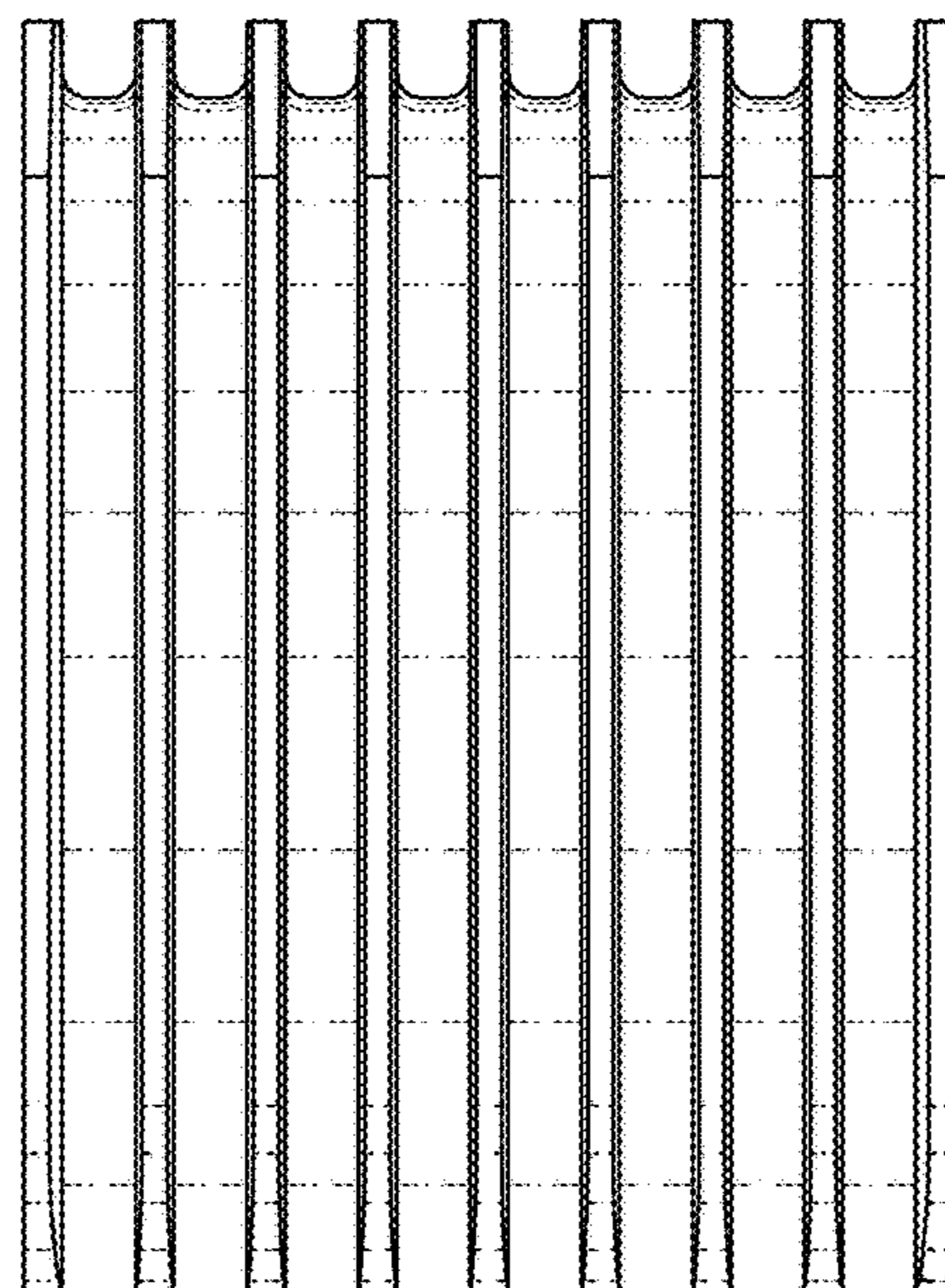


FIG. 7

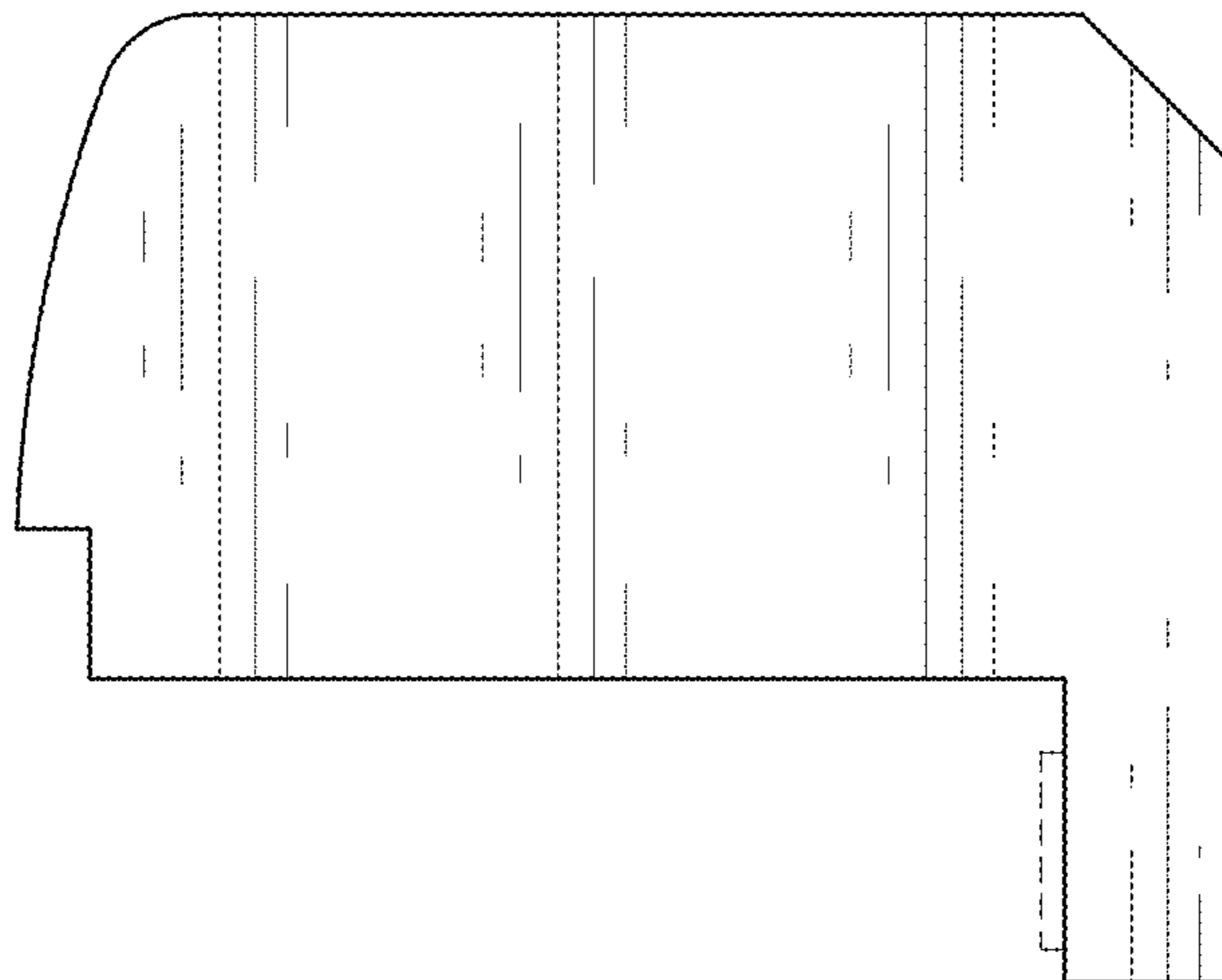


FIG. 8

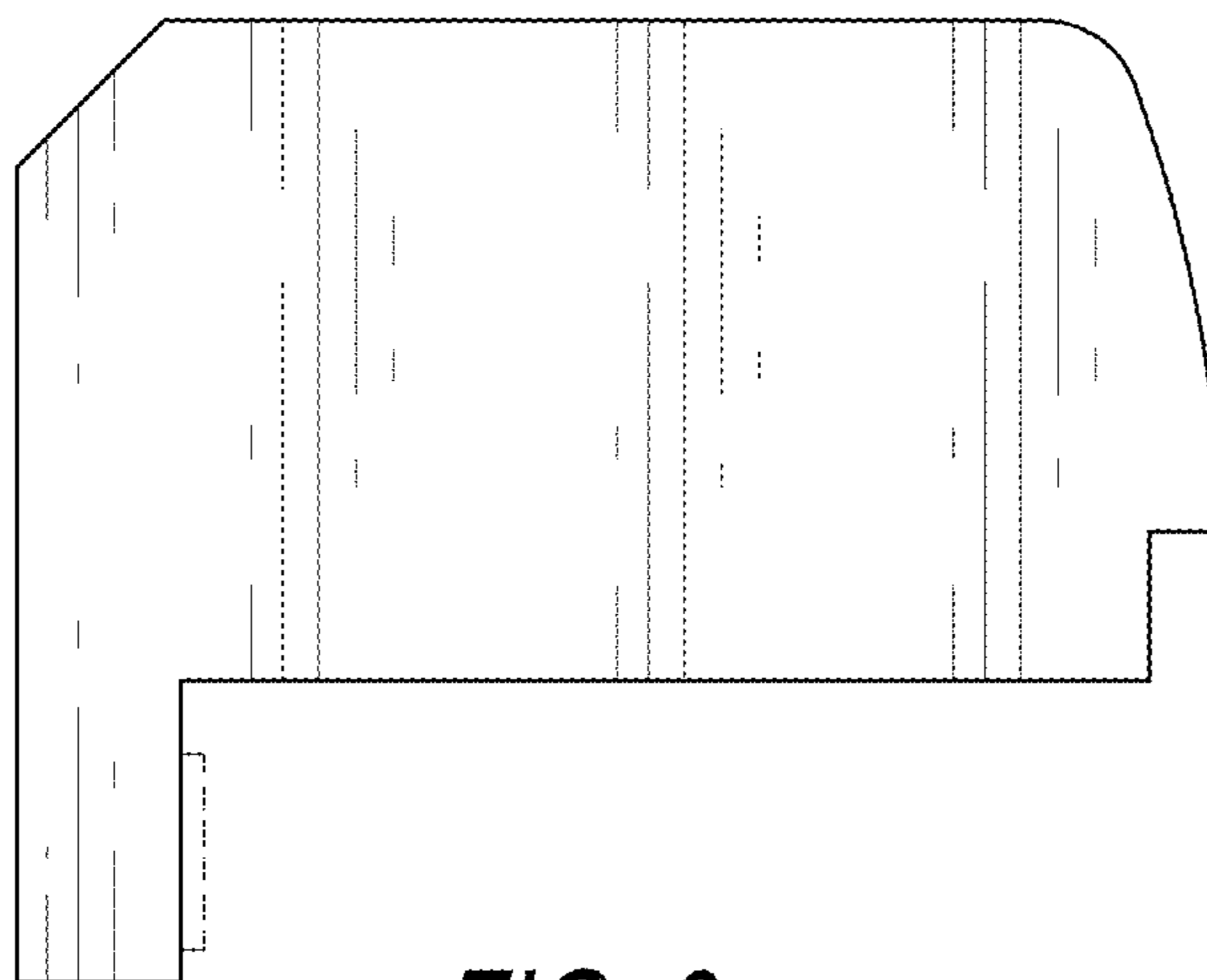


FIG. 9