



US00D813927S

(12) **United States Design Patent**  
**van Hoff et al.**

(10) **Patent No.:** **US D813,927 S**  
(45) **Date of Patent:** **\*\* Mar. 27, 2018**

(54) **CAMERA GLOBE**

(71) Applicant: **Jaunt Inc.**, Palo Alto, CA (US)

(72) Inventors: **Arthur van Hoff**, Palo Alto, CA (US);  
**Thomas M. Annau**, Palo Alto, CA  
(US); **Jens Christensen**, Palo Alto, CA  
(US); **Koji Gardiner**, Palo Alto, CA  
(US); **Punit Govenji**, Palo Alto, CA  
(US); **James Dunn**, Palo Alto, CA (US)

(\*\*) Term: **15 Years**

(21) Appl. No.: **29/540,375**

(22) Filed: **Sep. 23, 2015**

(51) **LOC (11) Cl.** ..... **16-01**

(52) **U.S. Cl.**

USPC ..... **D16/218**; D16/200

(58) **Field of Classification Search**

USPC ..... D16/200–208, 210, 218, 219, 242;  
348/36, 143, 148, 151, 373–376;  
396/419, 427, 535–541

CPC ..... G03B 15/03; G03B 17/02; G03B 17/04;  
G03B 17/56; G03B 19/04; H04N 5/2251;  
H04N 5/2252; H04N 5/2253; H04N  
5/2254; H04N 2101/00

See application file for complete search history.

(56) **References Cited**

**U.S. PATENT DOCUMENTS**

5,413,551 A \* 5/1995 Wu ..... A61H 15/00  
601/131  
5,853,045 A \* 12/1998 Patry ..... F28D 20/023  
165/10

D457,904 S \* 5/2002 Toste ..... D16/203  
D460,978 S \* 7/2002 Toste ..... D16/203  
D527,406 S \* 8/2006 Lin ..... D16/202  
D629,435 S \* 12/2010 Barley ..... D16/202  
D696,707 S \* 12/2013 Guastadini ..... D16/202  
D700,232 S \* 2/2014 Ramsay ..... D16/207  
D768,750 S \* 10/2016 Pfeil ..... D16/207  
9,609,234 B1 \* 3/2017 Checka ..... H04N 5/247  
2011/0128349 A1 \* 6/2011 Theobald ..... H04N 5/23238  
348/36  
2013/0258102 A1 \* 10/2013 Chen ..... G03B 17/02  
348/143

\* cited by examiner

*Primary Examiner* — Philip S Hyder

*Assistant Examiner* — Ramzi S Almatrahi

(74) *Attorney, Agent, or Firm* — Burbage Law, P.C.;  
Jon-Michael Burbage

(57) **CLAIM**

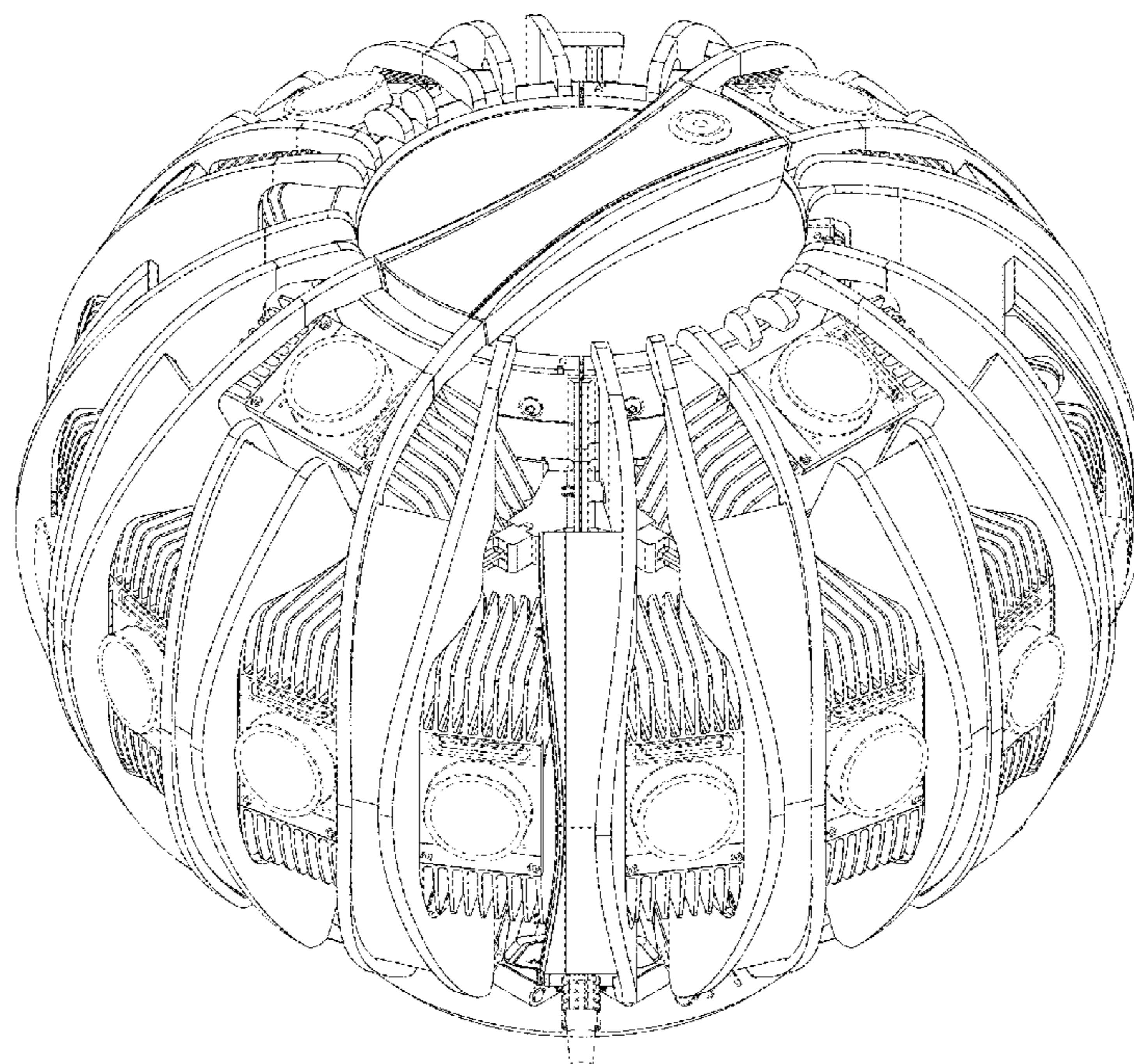
The ornamental design for a camera globe, as shown and described.

**DESCRIPTION**

FIG. 1 is a top perspective view of the camera globe;  
FIG. 2 is top view thereof;  
FIG. 3 is a bottom view thereof;  
FIG. 4 is a left side view thereof;  
FIG. 5 is a back view thereof;  
FIG. 6 is a right side view thereof; and,  
FIG. 7 is a front view thereof.

The broken lines depict portions of the camera globe in which the design is embodied that form no part of the claimed design.

**1 Claim, 7 Drawing Sheets**



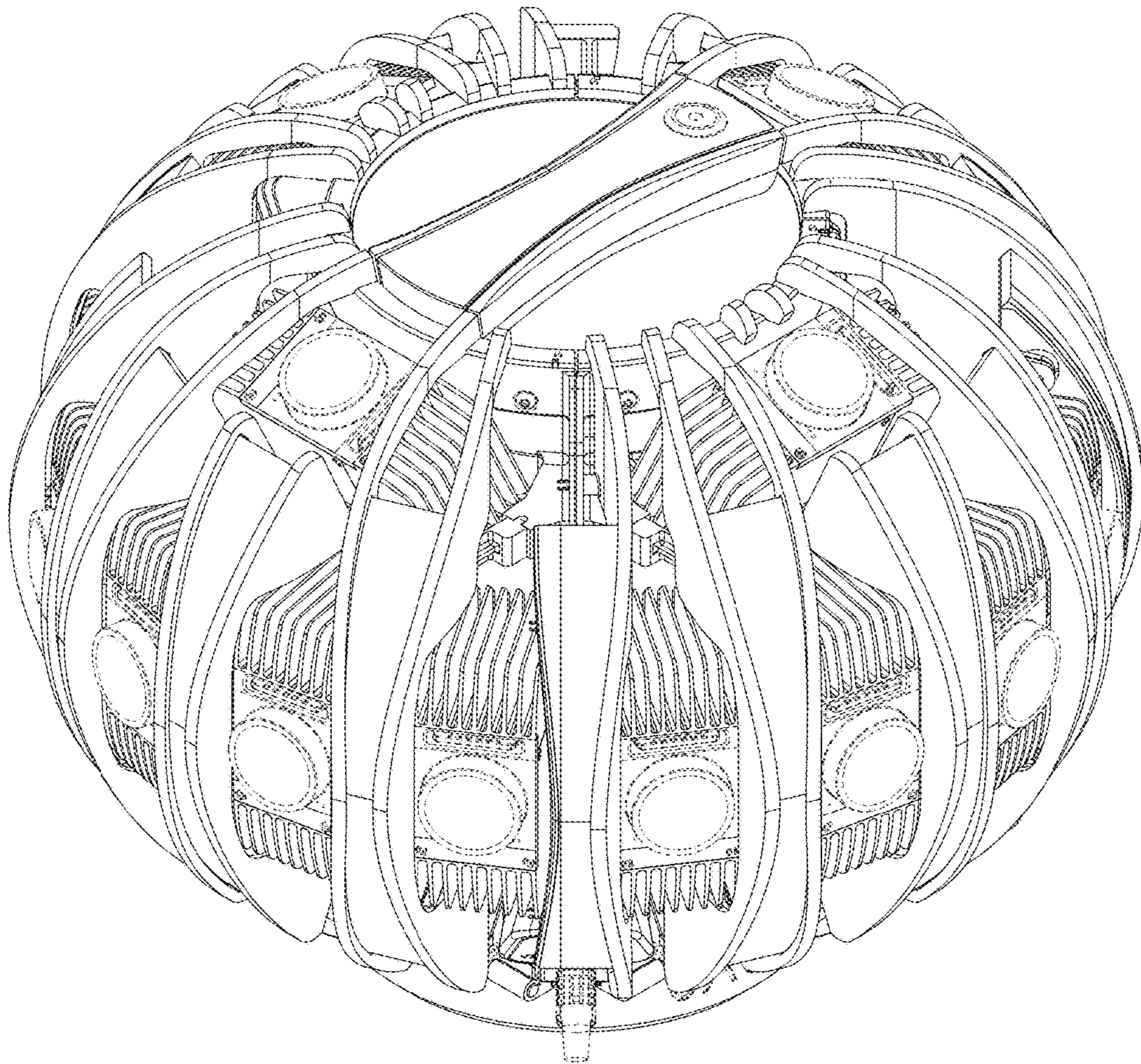


FIG. 1

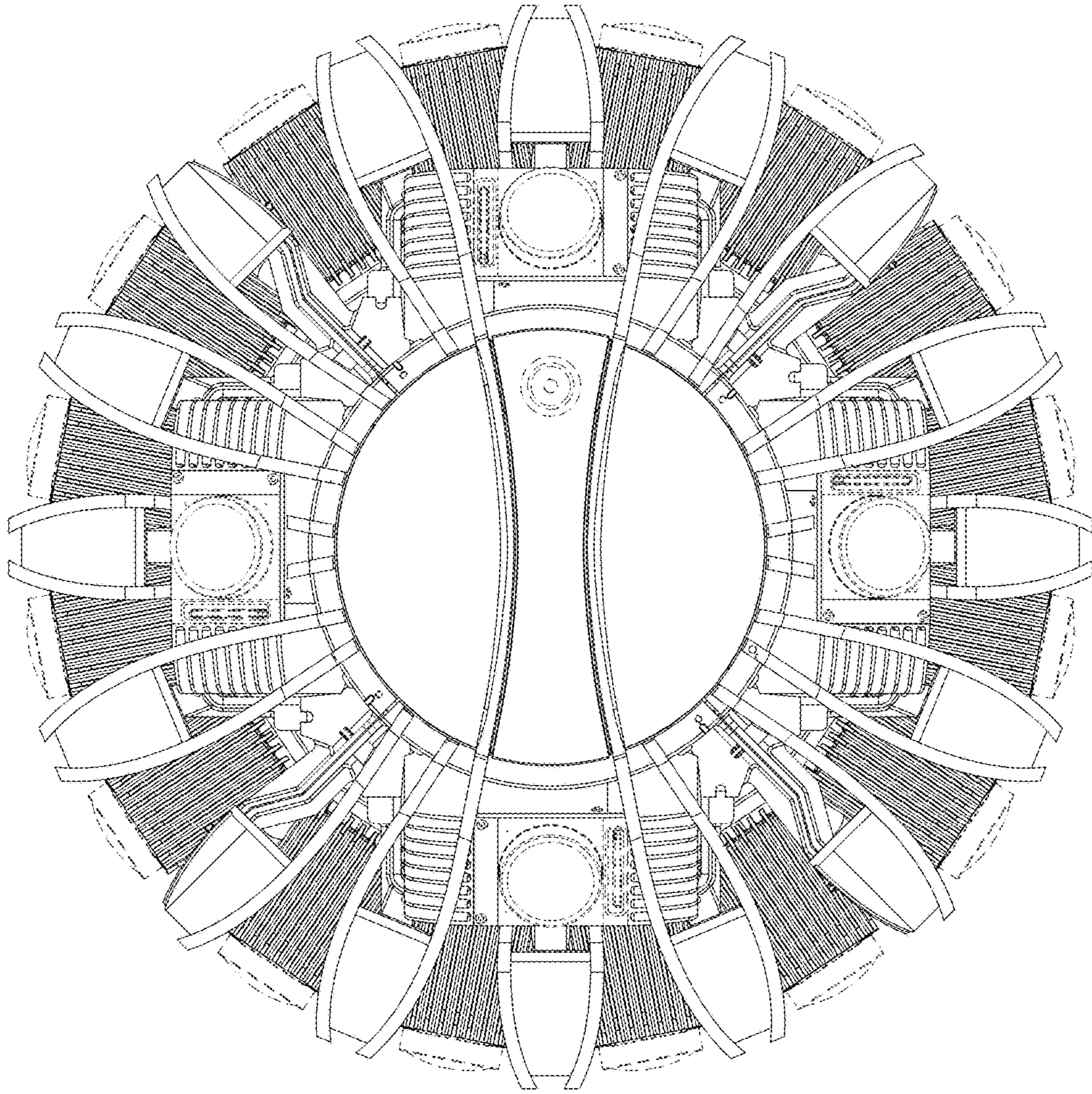


FIG. 2

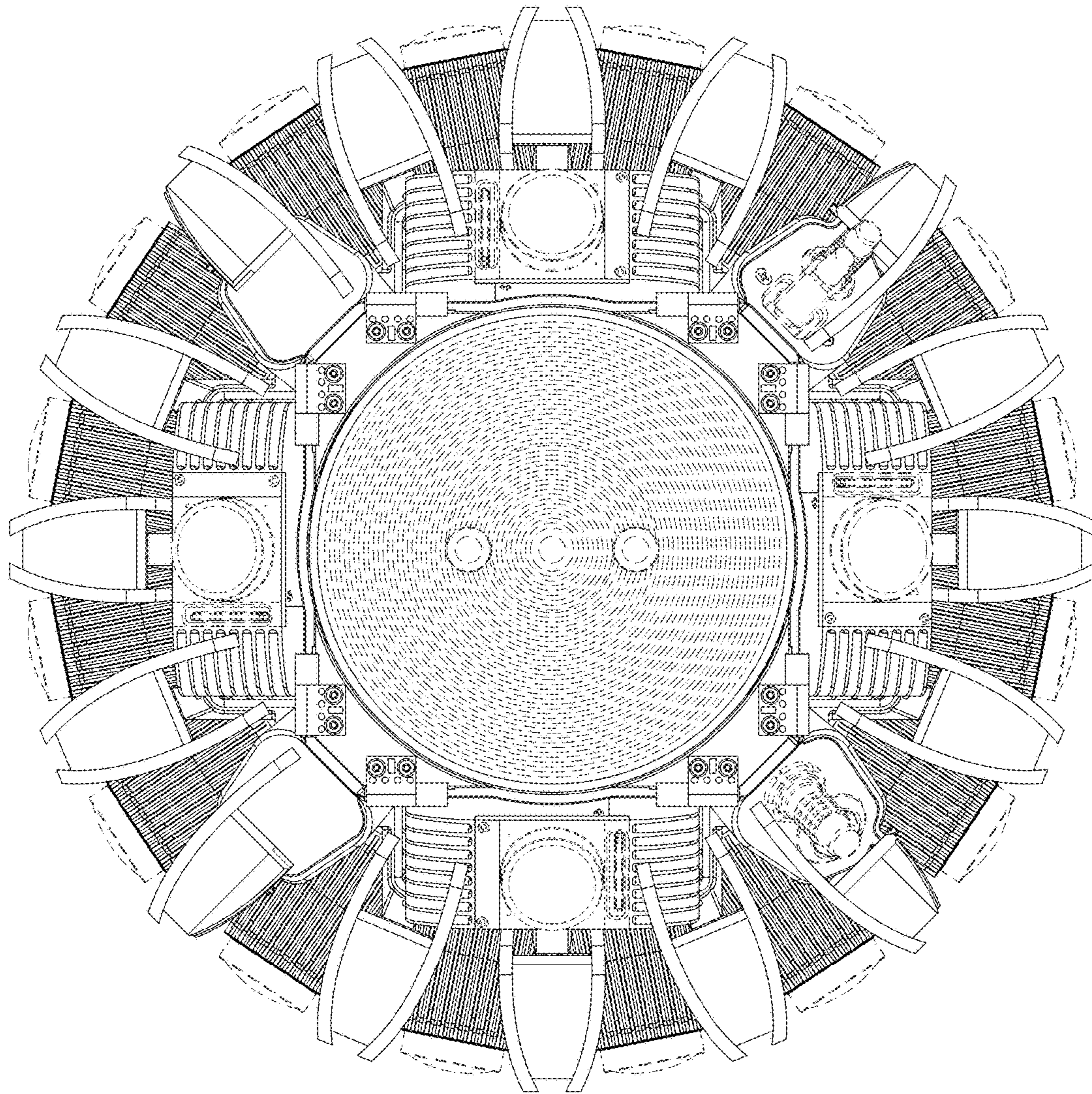


FIG. 3

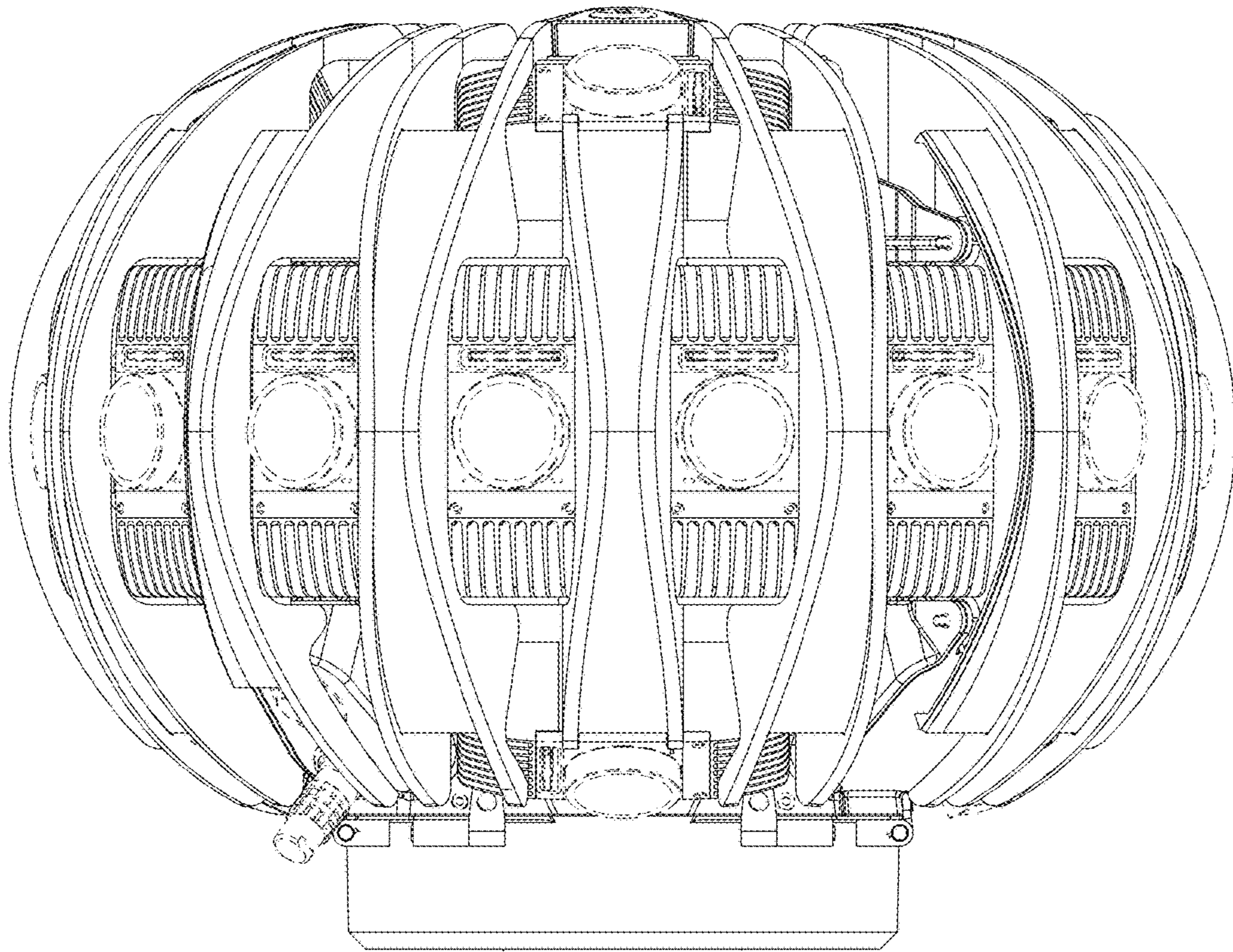


FIG. 4

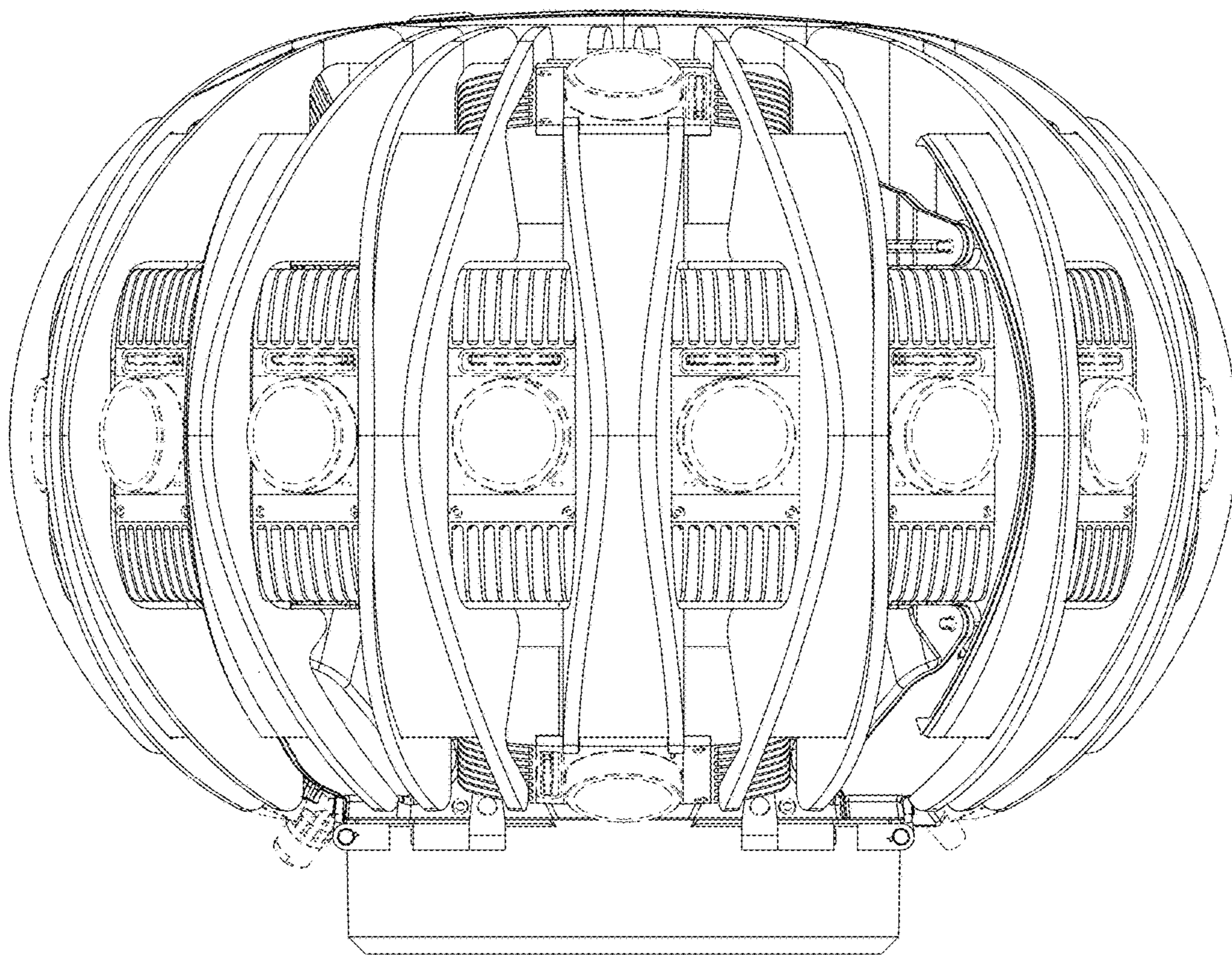


FIG. 5

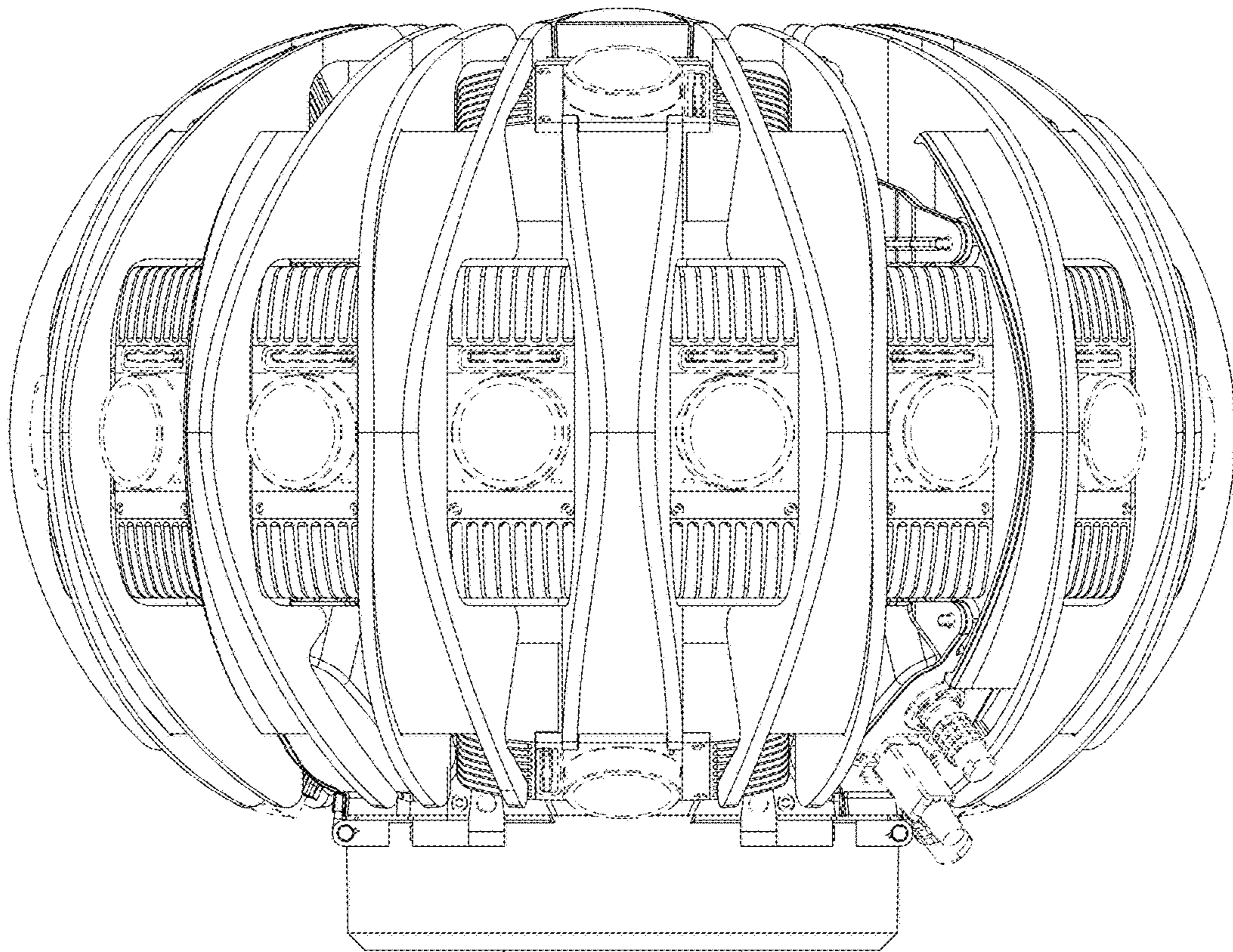


FIG. 6

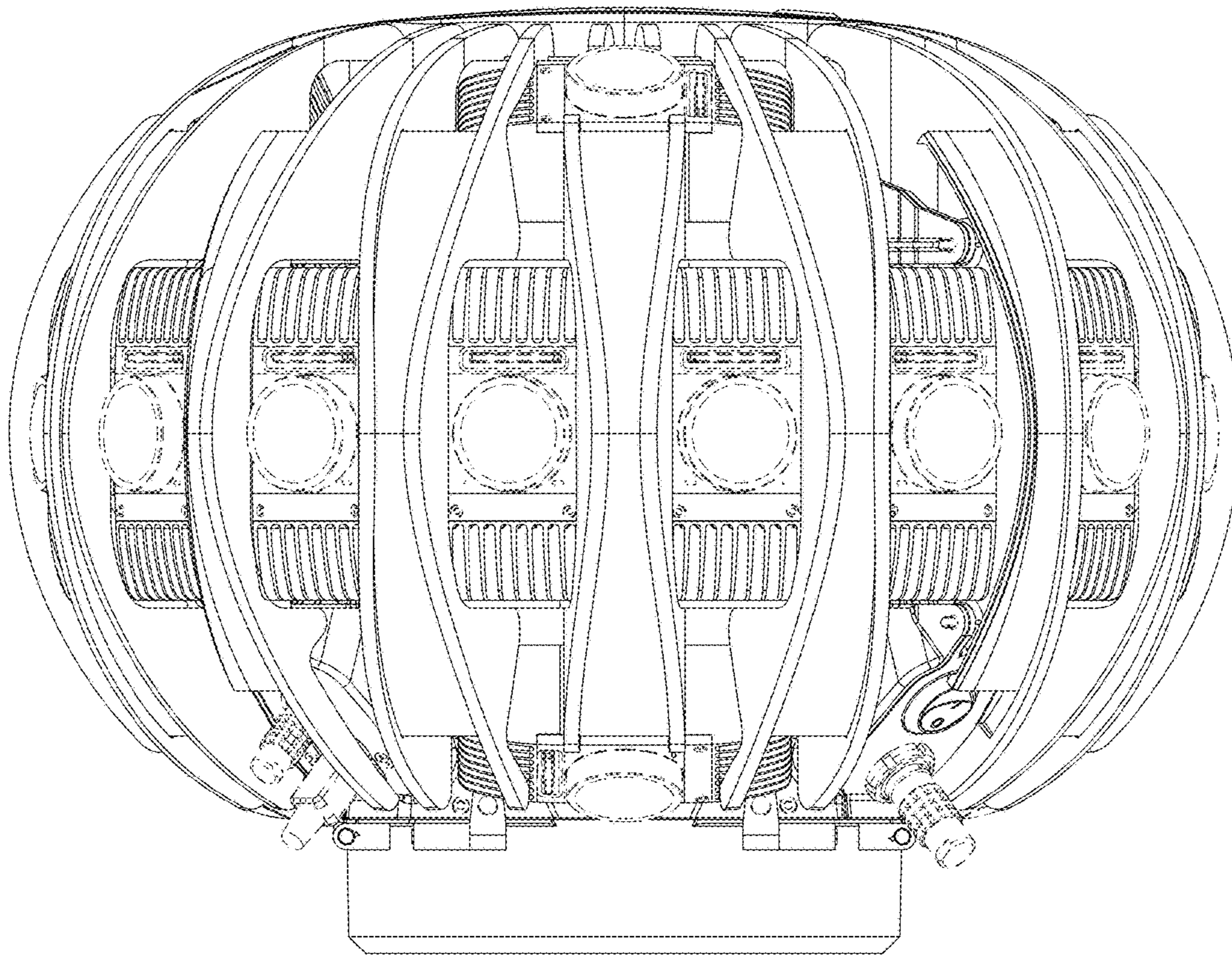


FIG. 7