



US00D813925S

(12) **United States Design Patent**  
**Park**

(10) **Patent No.:** **US D813,925 S**  
(45) **Date of Patent:** **\*\* Mar. 27, 2018**

(54) **SURVEILLANCE CAMERA**

(56) **References Cited**

(71) Applicant: **HANWHA TECHWIN CO., LTD.**,  
Changwon-si (KR)

(72) Inventor: **Ho Jin Park**, Changwon-si (KR)

(73) Assignee: **HANWHA TECHWIN CO., LTD.**,  
Changwon-si (KR)

(\*\*) Term: **15 Years**

(21) Appl. No.: **29/591,087**

(22) Filed: **Jan. 17, 2017**

(30) **Foreign Application Priority Data**

Jul. 18, 2016 (KR) ..... 30-2016-0034996

(51) **LOC (11) Cl.** ..... **16-01**

(52) **U.S. Cl.**  
USPC ..... **D16/203**

(58) **Field of Classification Search**

USPC ..... D16/200, 202–206, 218, 219, 242;  
348/143, 148, 151, 373–376; 396/419,  
396/427, 535, 539–541  
CPC ..... G03B 17/02; G03B 19/04; G03B 17/56;  
G03B 17/04; G03B 15/03; H04N 5/2251;  
H04N 5/2252; H04N 5/2253; H04N  
5/2254; H04N 7/181; H04N 7/183; H04N  
7/18; G08B 13/1963; G08B 13/19619;  
G08B 13/19632; F16M 11/04; F16M  
13/00

See application file for complete search history.

U.S. PATENT DOCUMENTS

|                   |         |          |       |                        |
|-------------------|---------|----------|-------|------------------------|
| D634,767 S *      | 3/2011  | Ko       | ..... | D16/203                |
| D733,207 S *      | 6/2015  | Thomas   | ..... | D16/203                |
| D740,873 S *      | 10/2015 | Scalisi  | ..... | D16/203                |
| D777,234 S *      | 1/2017  | Webb     | ..... | D16/202                |
| D777,817 S *      | 1/2017  | Holbrook | ..... | D16/203                |
| D785,067 S *      | 4/2017  | Ramones  | ..... | D16/203                |
| D795,942 S *      | 8/2017  | Mitchell | ..... | D16/203                |
| D795,944 S *      | 8/2017  | Mitchell | ..... | D16/203                |
| 2013/0107110 A1 * | 5/2013  | Park     | ..... | H04N 5/2252<br>348/373 |

\* cited by examiner

*Primary Examiner* — Philip S Hyder

*Assistant Examiner* — Ramzi S Almatrahi

(74) *Attorney, Agent, or Firm* — H.C. Park & Associates,  
PLC

(57) **CLAIM**

The ornamental design for a surveillance camera, as shown and described.

**DESCRIPTION**

FIG. 1 is a front perspective view of a surveillance camera; FIG. 2 is a front view thereof; FIG. 3 is a rear view thereof; FIG. 4 is a left side view thereof; FIG. 5 is a right side view thereof; FIG. 6 is a top view thereof; and, FIG. 7 is a bottom view thereof.

The broken lines depict portions of the surveillance camera in which the design is embodied that form no part of the claimed design.

**1 Claim, 7 Drawing Sheets**

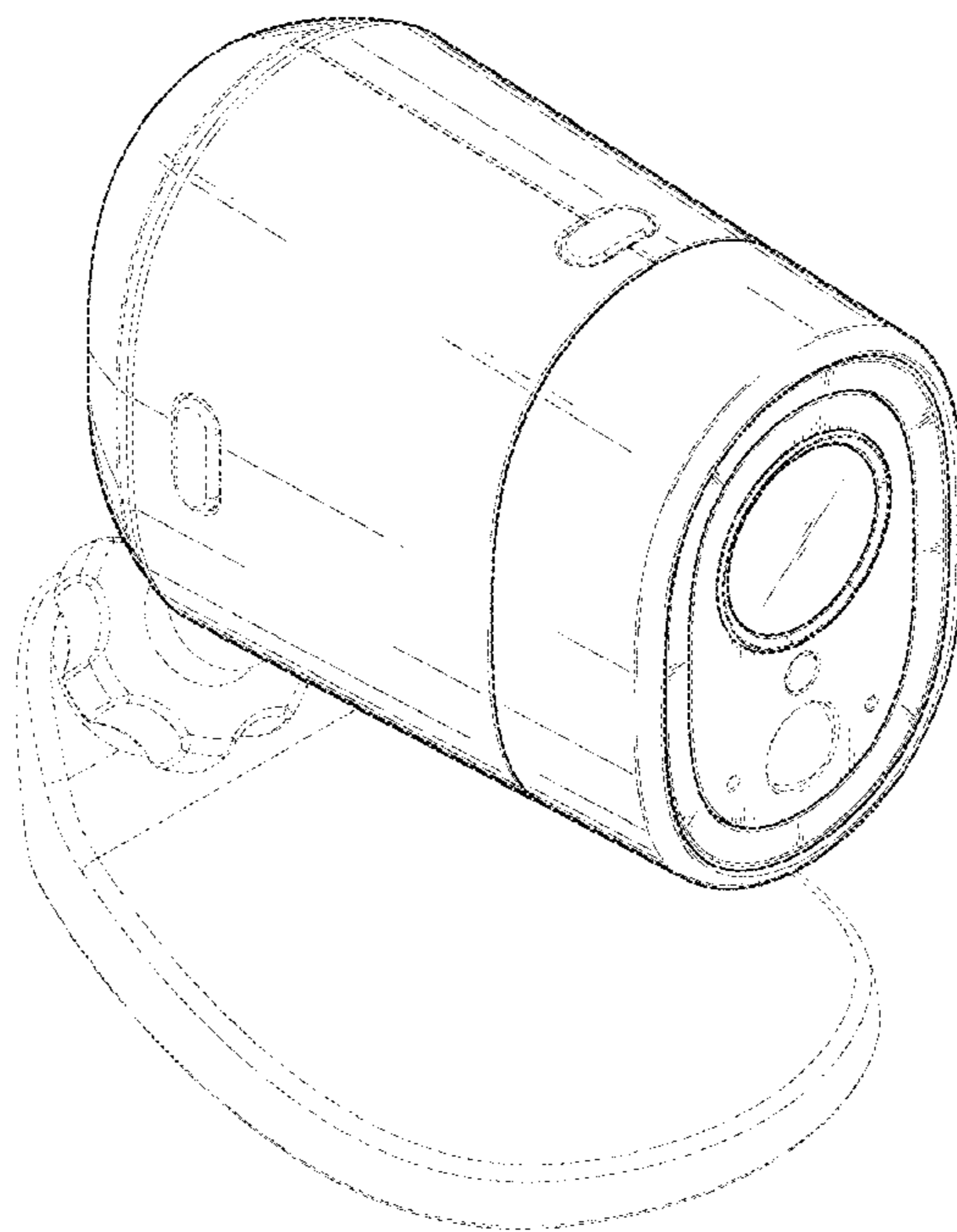


FIG. 1

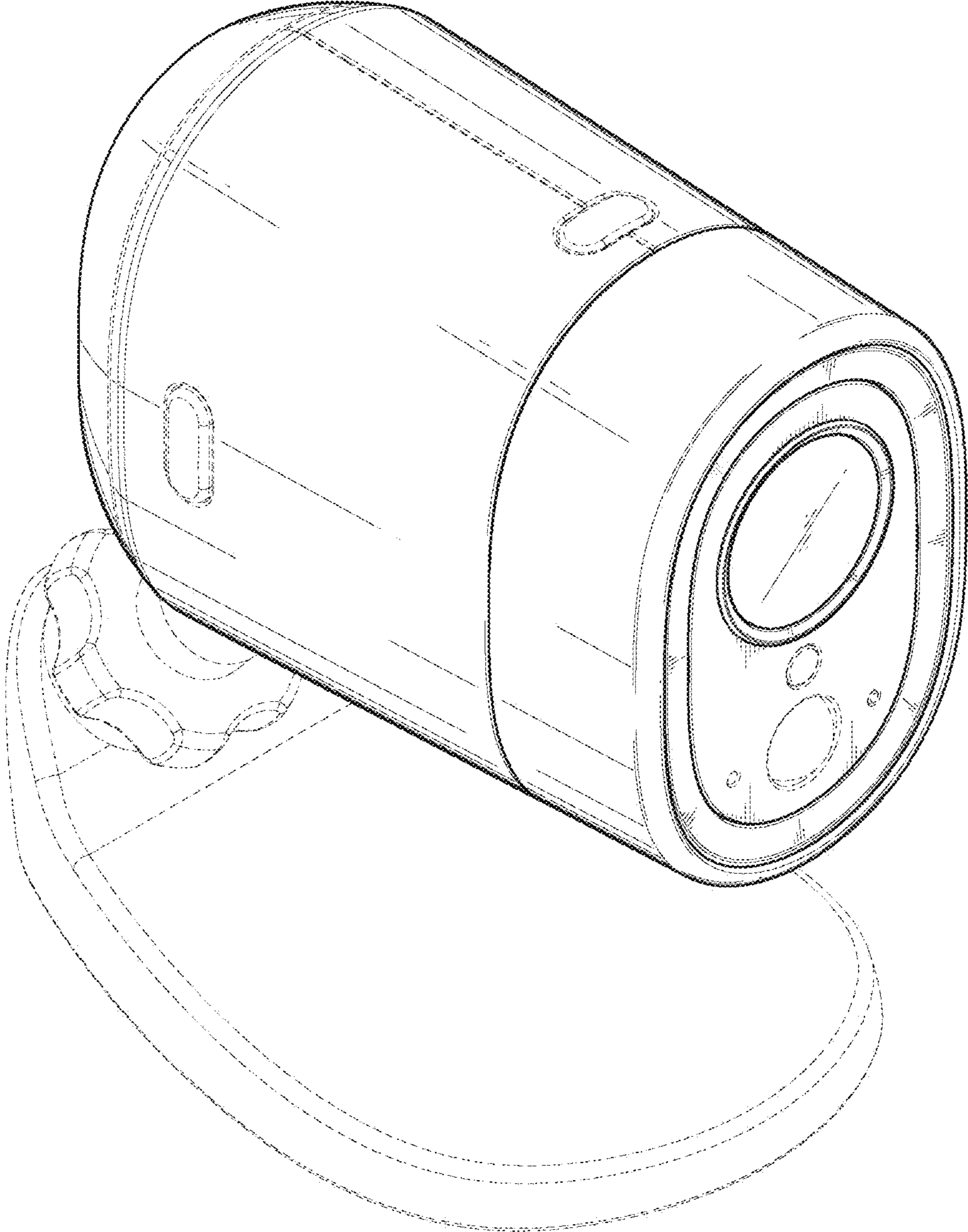


FIG. 2

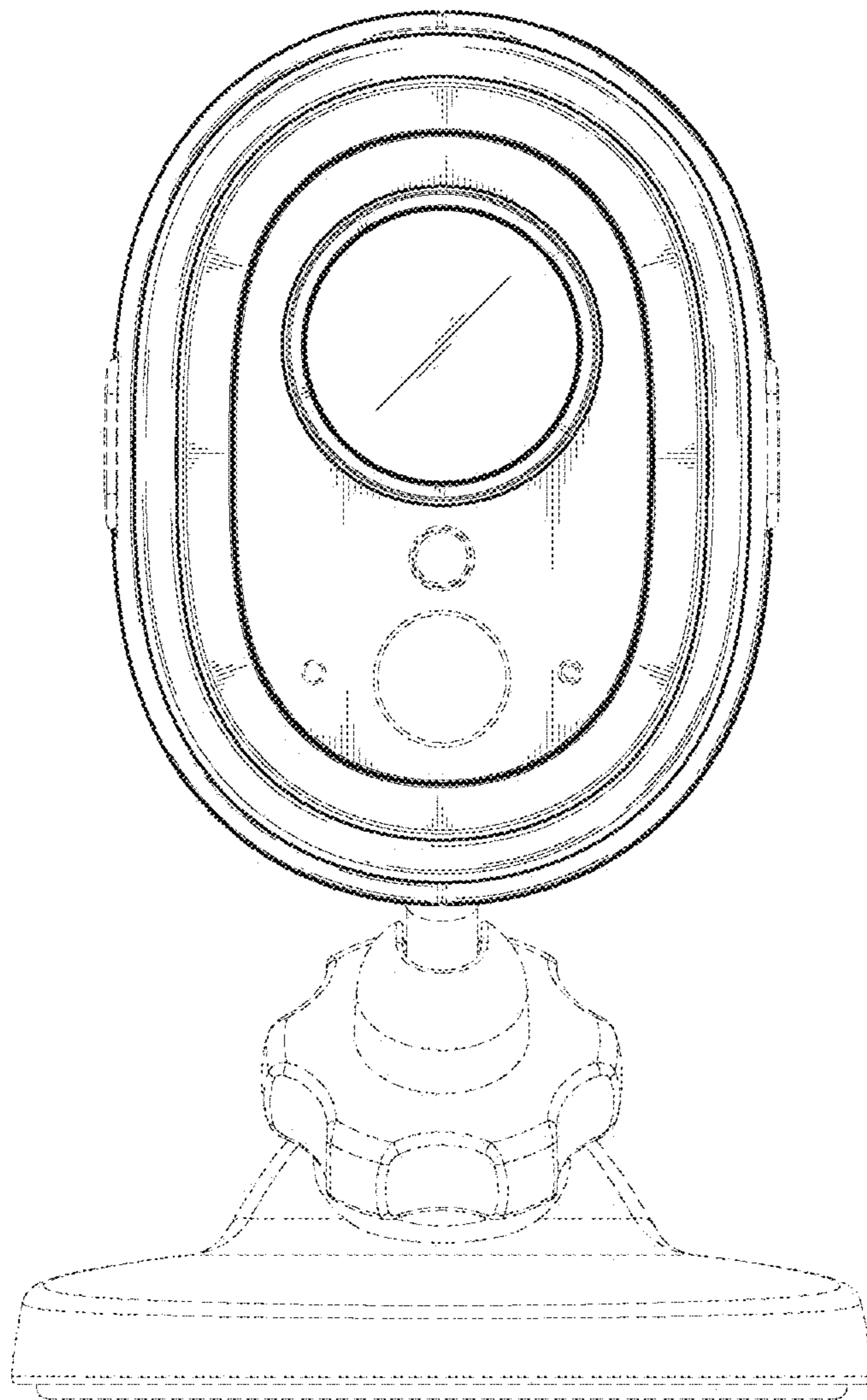


FIG. 3

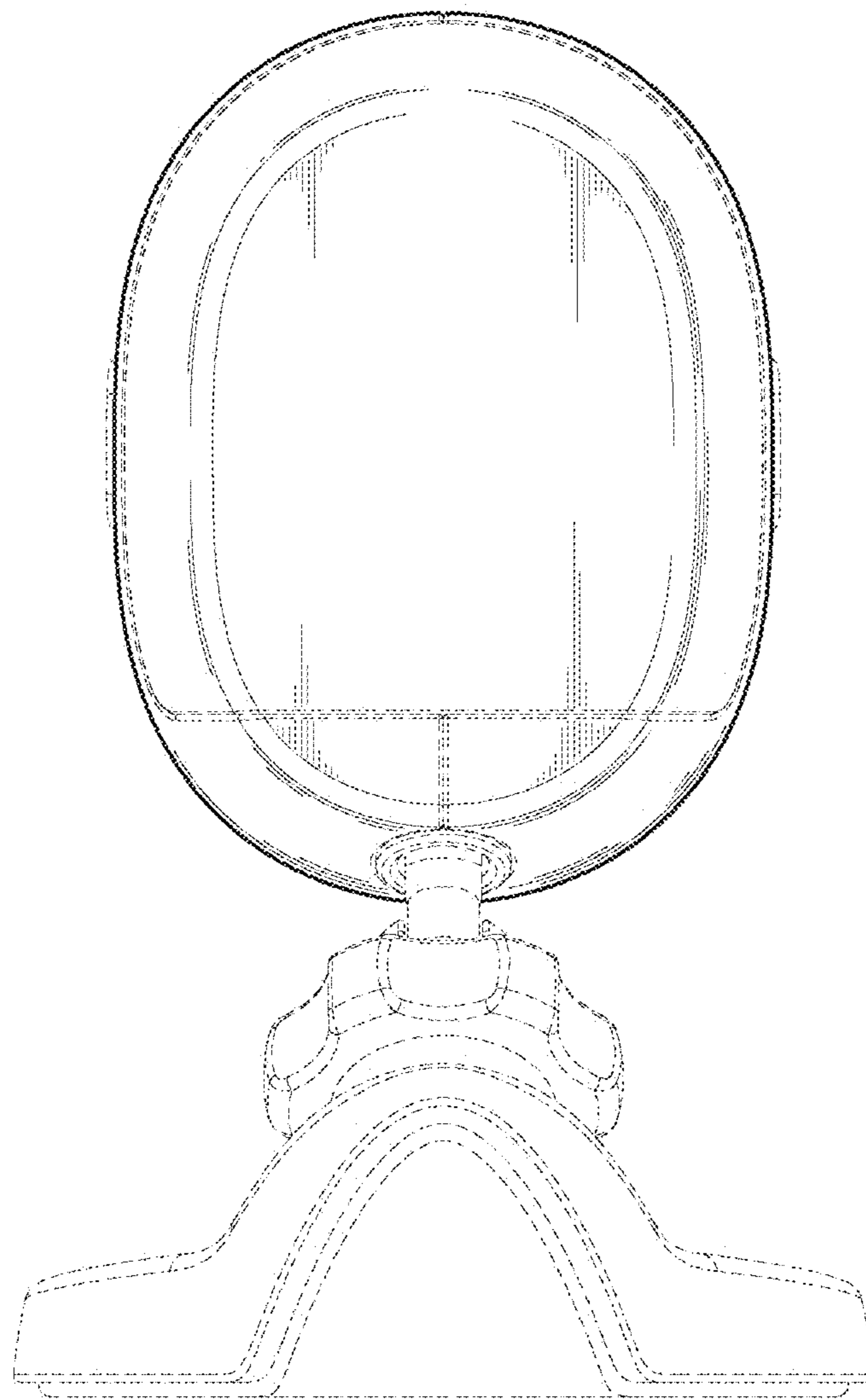


FIG. 4

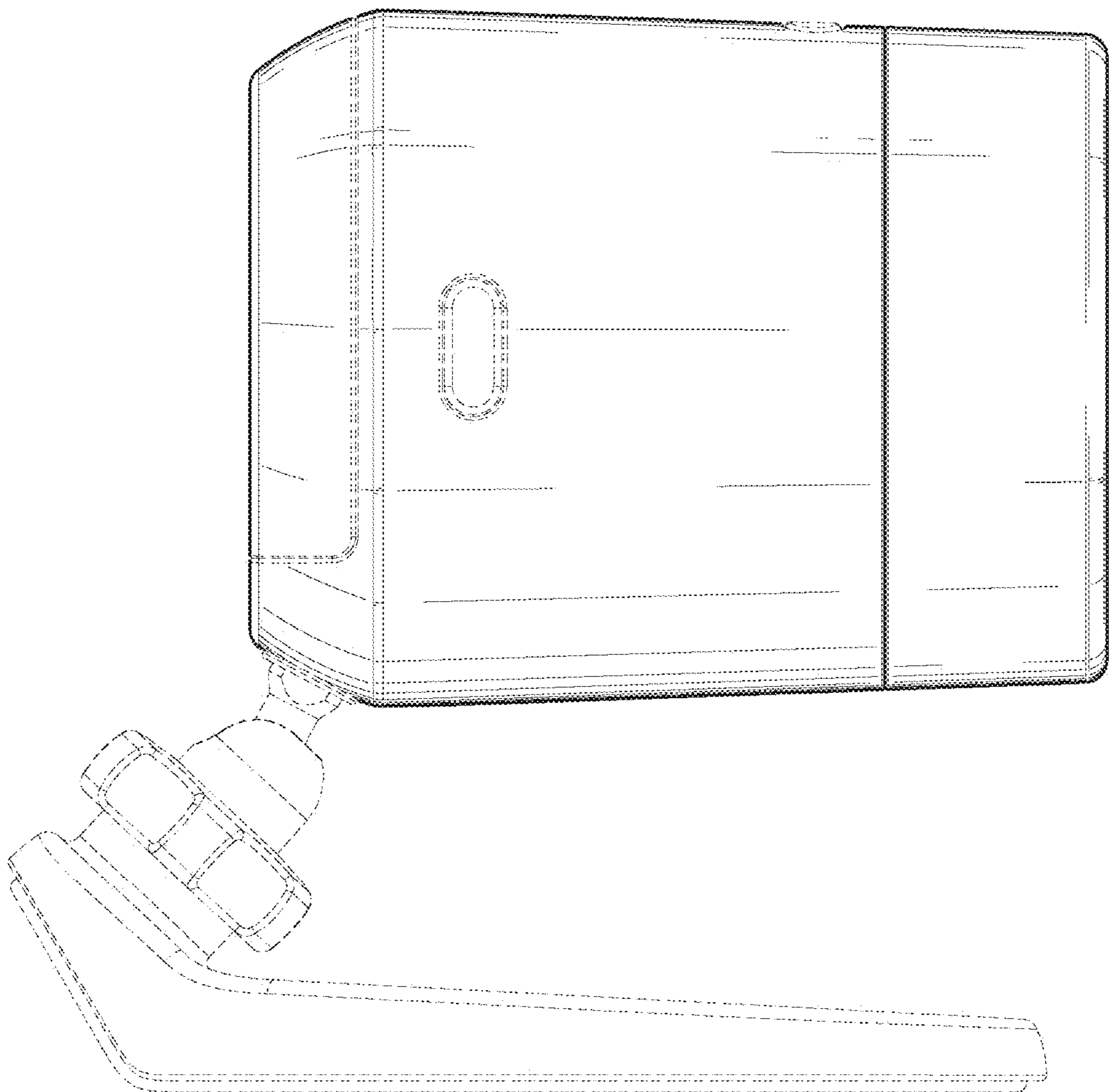


FIG. 5

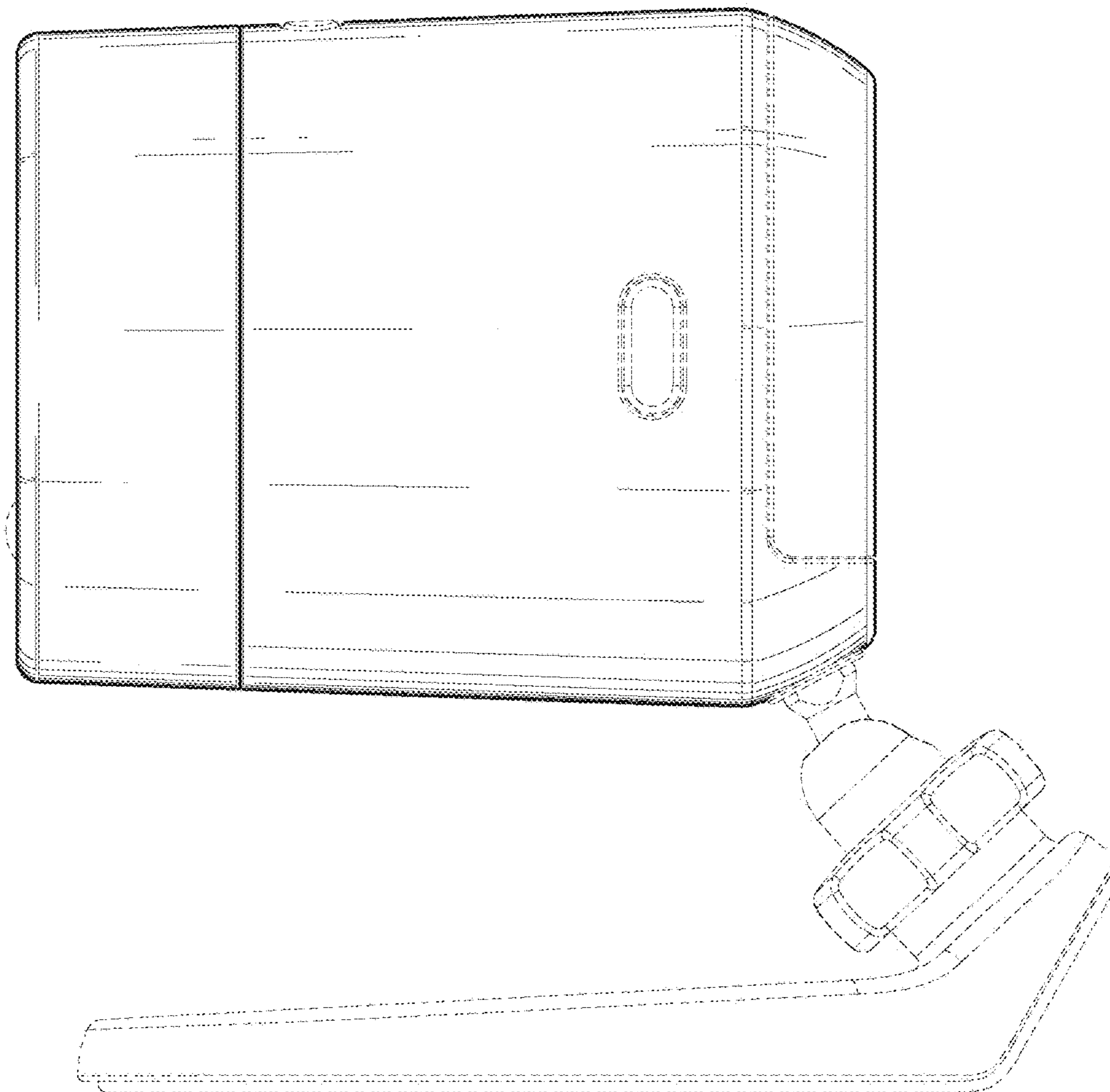


FIG. 6

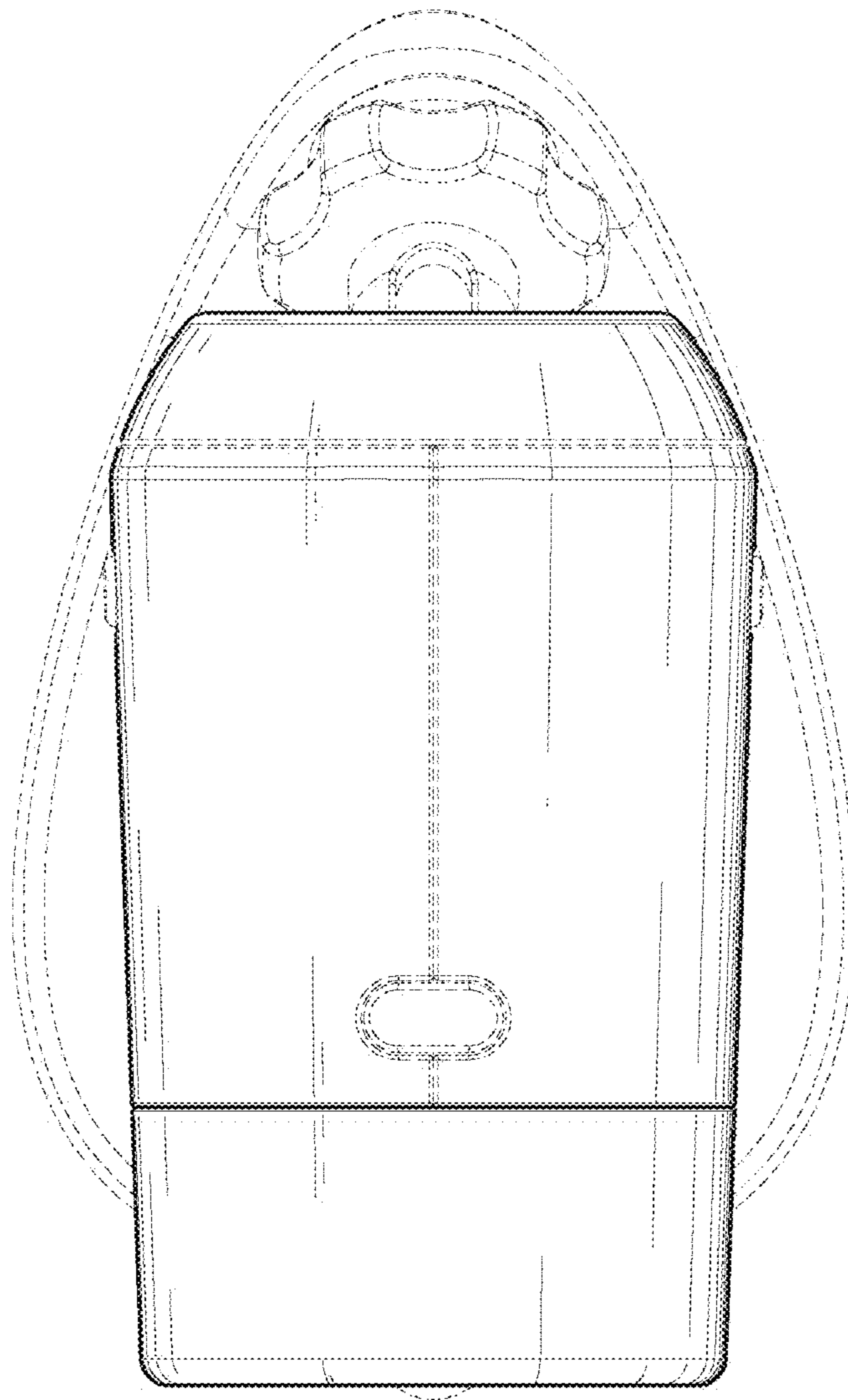


FIG. 7

