



US00D813922S

(12) **United States Design Patent**
Kamei

(10) **Patent No.:** **US D813,922 S**

(45) **Date of Patent:** **** Mar. 27, 2018**

(54) **DIGITAL CAMERA**

(71) Applicant: **FUJIFILM Corporation**, Tokyo (JP)

(72) Inventor: **Keita Kamei**, Saitama (JP)

(73) Assignee: **FUJIFILM CORPORATION**, Tokyo (JP)

(**) Term: **15 Years**

(21) Appl. No.: **29/594,842**

(22) Filed: **Feb. 23, 2017**

(30) **Foreign Application Priority Data**

Aug. 24, 2016 (JP) 2016-018005

(51) **LOC (11) Cl.** **16-01**

(52) **U.S. Cl.**
USPC **D16/202**

(58) **Field of Classification Search**
USPC D16/200, 202–206, 208, 218, 219;
348/373–376; 396/535, 539–541
CPC G03B 15/03; G03B 17/02; G03B 17/04;
G03B 17/56; G03B 19/04; H04N 5/2251;
H04N 5/2252; H04N 5/2253; H04N
5/2254; H04N 2101/00

See application file for complete search history.

(56) **References Cited**

U.S. PATENT DOCUMENTS

D631,496 S *	1/2011	Tainaka	D16/202
D649,997 S *	12/2011	Imai	D16/202
D657,408 S *	4/2012	Tainaka	D16/202
D681,710 S *	5/2013	Sato	D16/200
D695,807 S *	12/2013	Tainaka	D16/202
D697,960 S *	1/2014	Sato	D16/200
D698,839 S *	2/2014	Sato	D16/200
D701,257 S *	3/2014	Ogawa	D16/202
D716,862 S *	11/2014	Hoshi	D16/202
D749,659 S *	2/2016	Kamei	D16/202

2011/0109790 A1* 5/2011 Shinohara G03B 17/14
348/373

2011/0216237 A1* 9/2011 Shinohara G03B 17/02
348/373

2011/0298970 A1* 12/2011 Shinohara G03B 17/14
348/373

FOREIGN PATENT DOCUMENTS

JP D-1495652 4/2014

OTHER PUBLICATIONS

Japanese Office Action dated Jan. 31, 2017 in connection with JP-D-2016-018005.

* cited by examiner

Primary Examiner — Philip S Hyder

Assistant Examiner — Ramzi Almatrahi

(74) *Attorney, Agent, or Firm* — Edwards Neils LLC;
Jean C. Edwards, Esq.

(57) **CLAIM**

The ornamental design for a digital camera, as shown and described.

DESCRIPTION

FIG. 1 is a perspective view of a digital camera showing my new design;

FIG. 2 is a front view thereof;

FIG. 3 is a rear side view thereof;

FIG. 4 is a left side view thereof;

FIG. 5 is a right side view thereof;

FIG. 6 is a top plan view thereof; and,

FIG. 7 is a bottom side view thereof.

The broken lines depict portions of the digital camera in which the design is embodied that form no part of the claimed design.

1 Claim, 7 Drawing Sheets

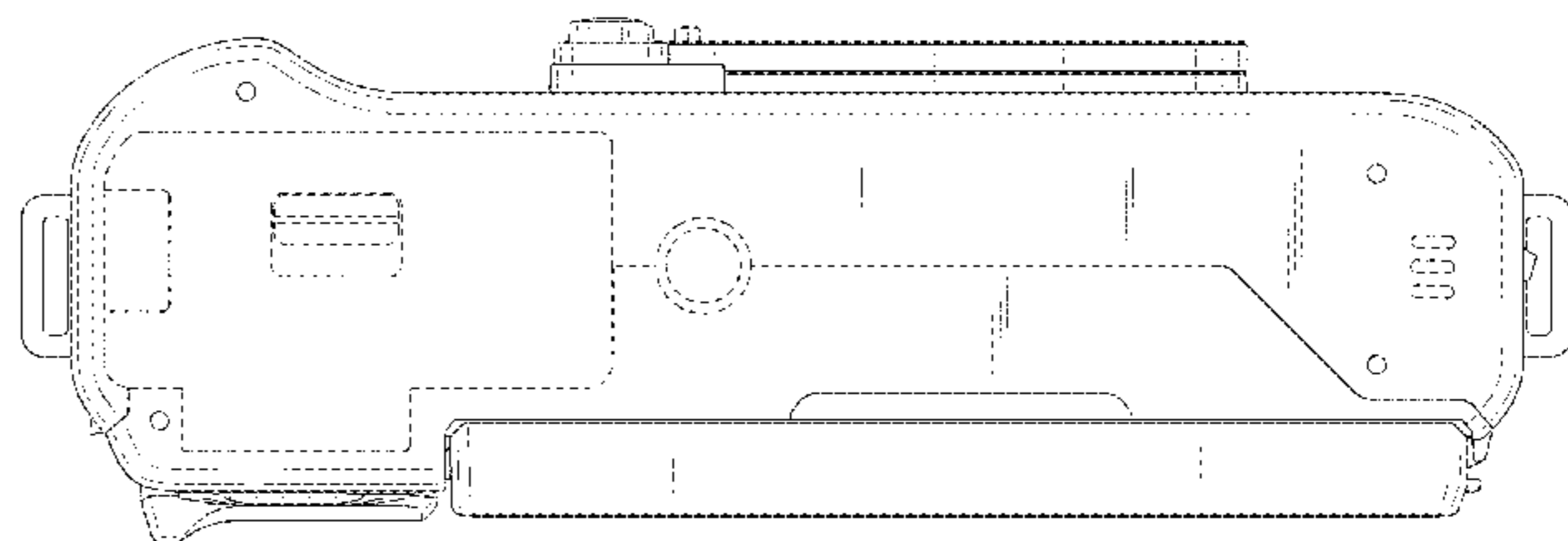
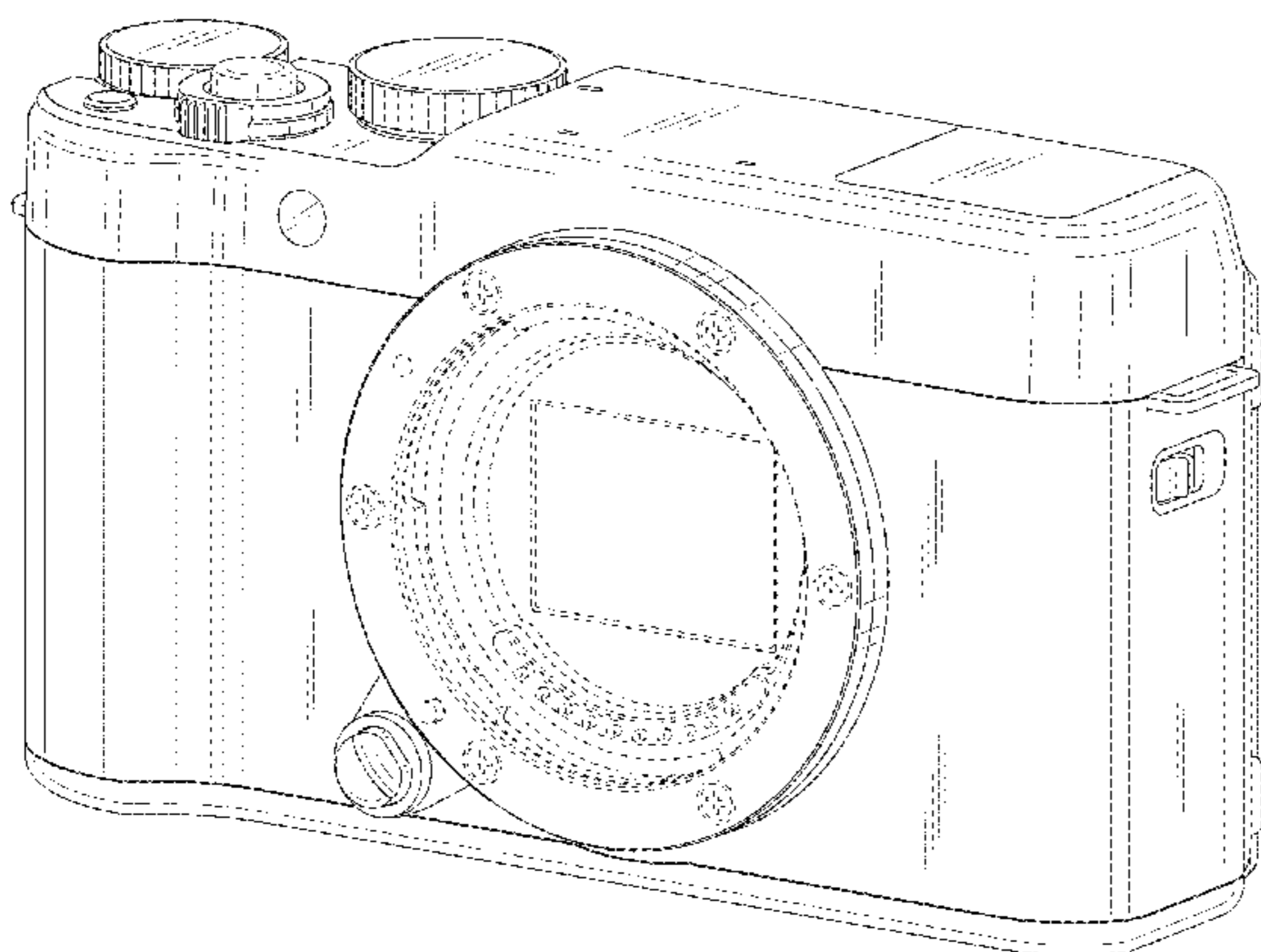


Fig. 1

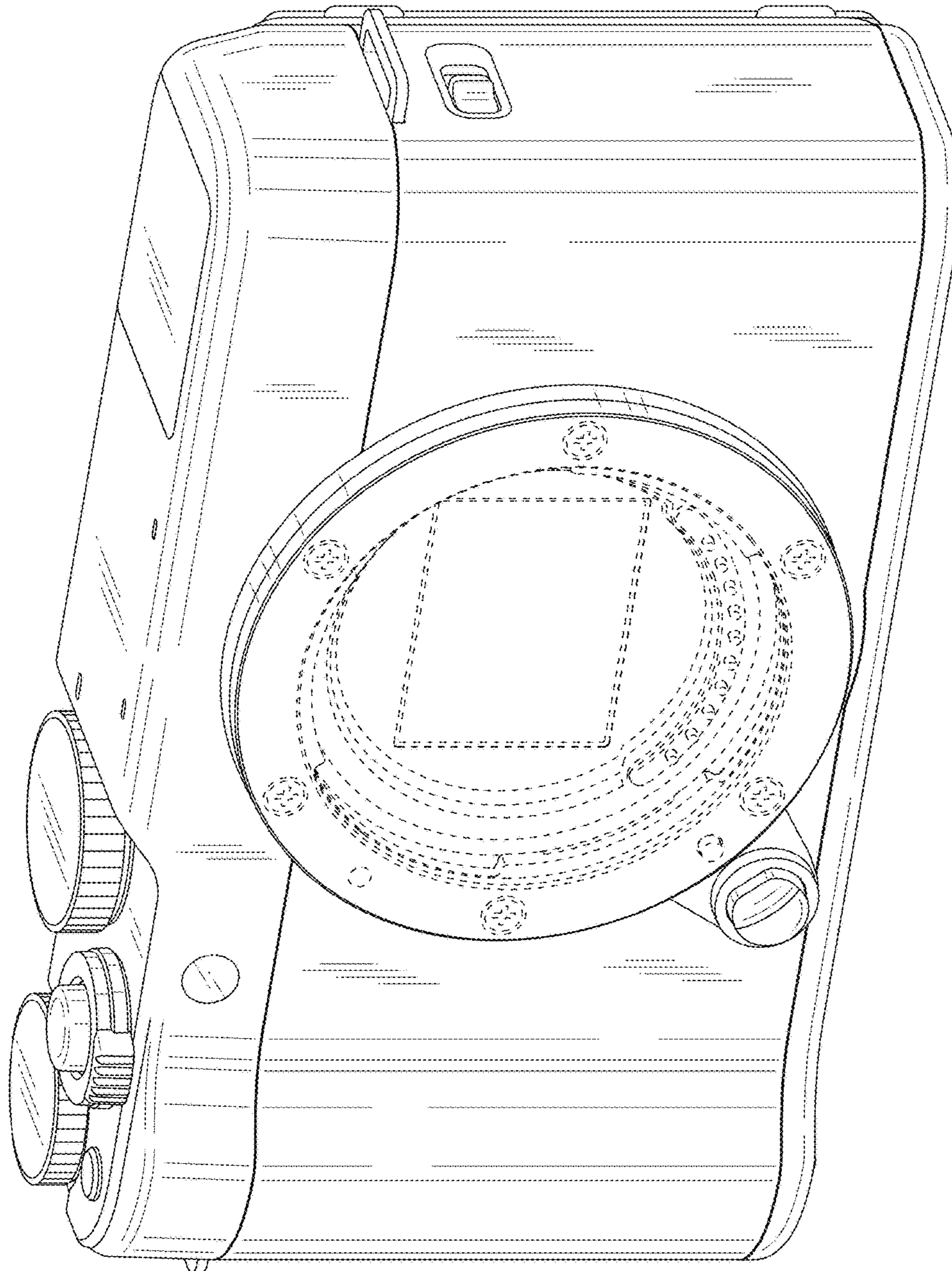


Fig. 2

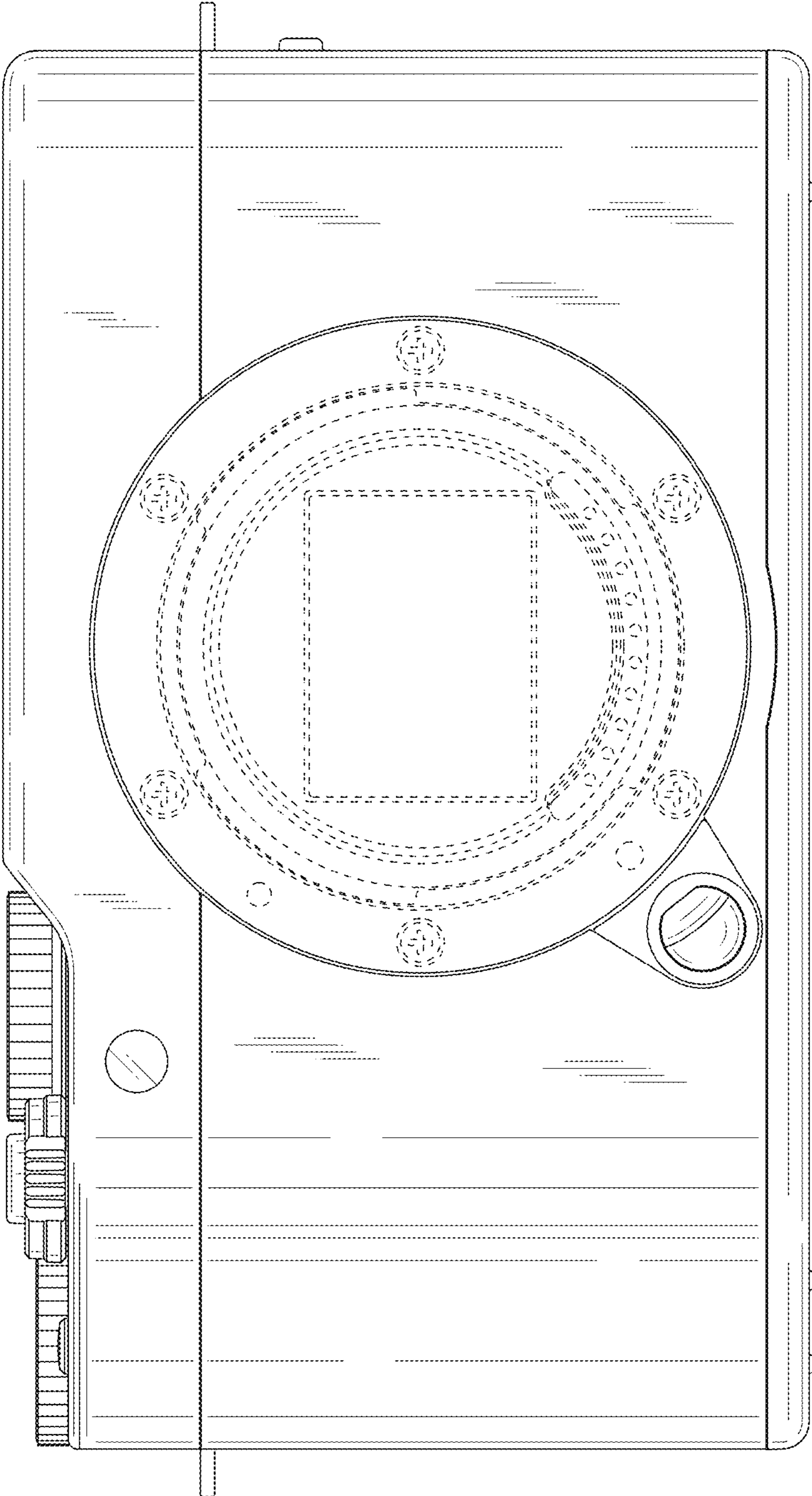


Fig. 3

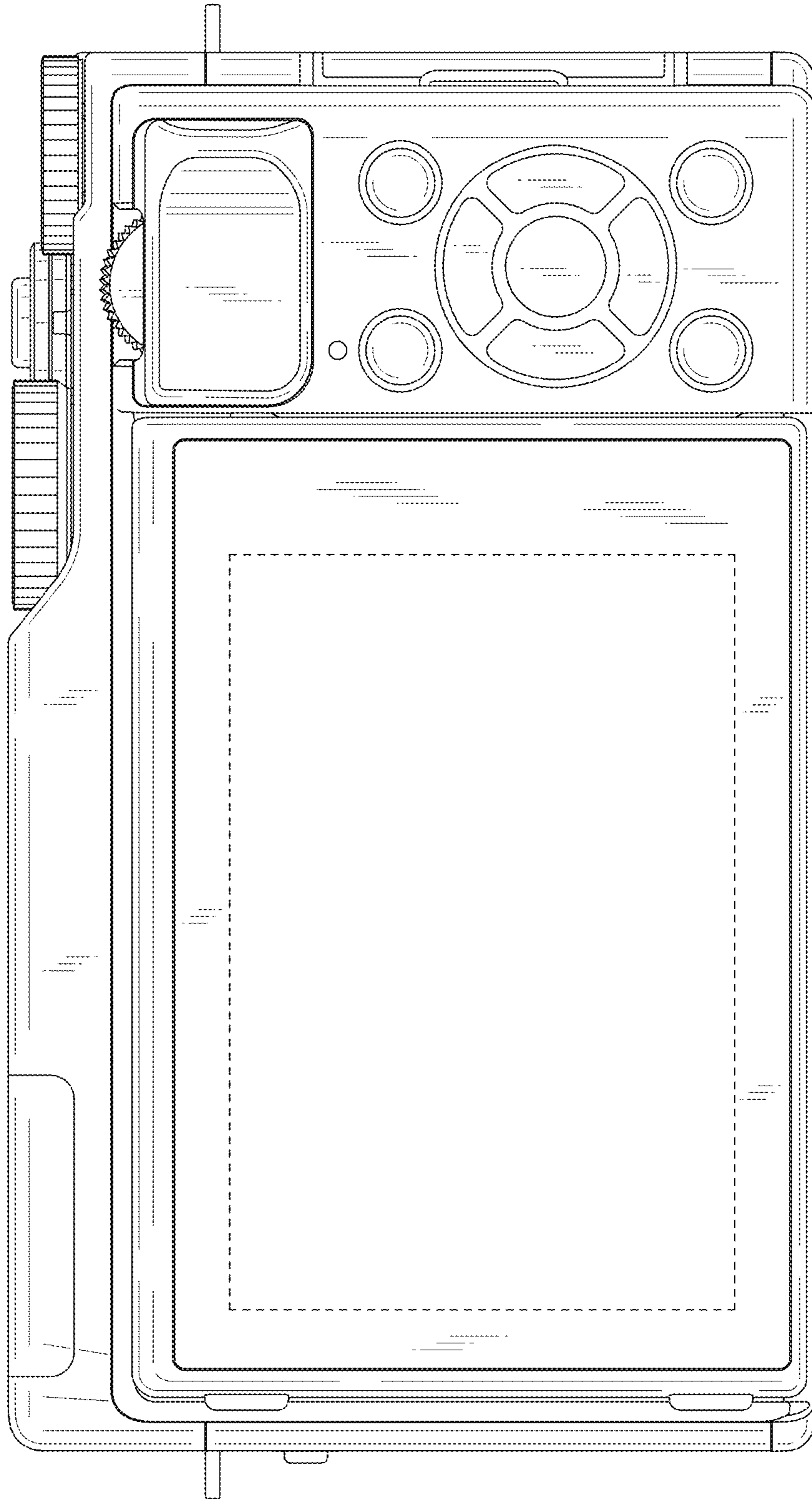


Fig. 4

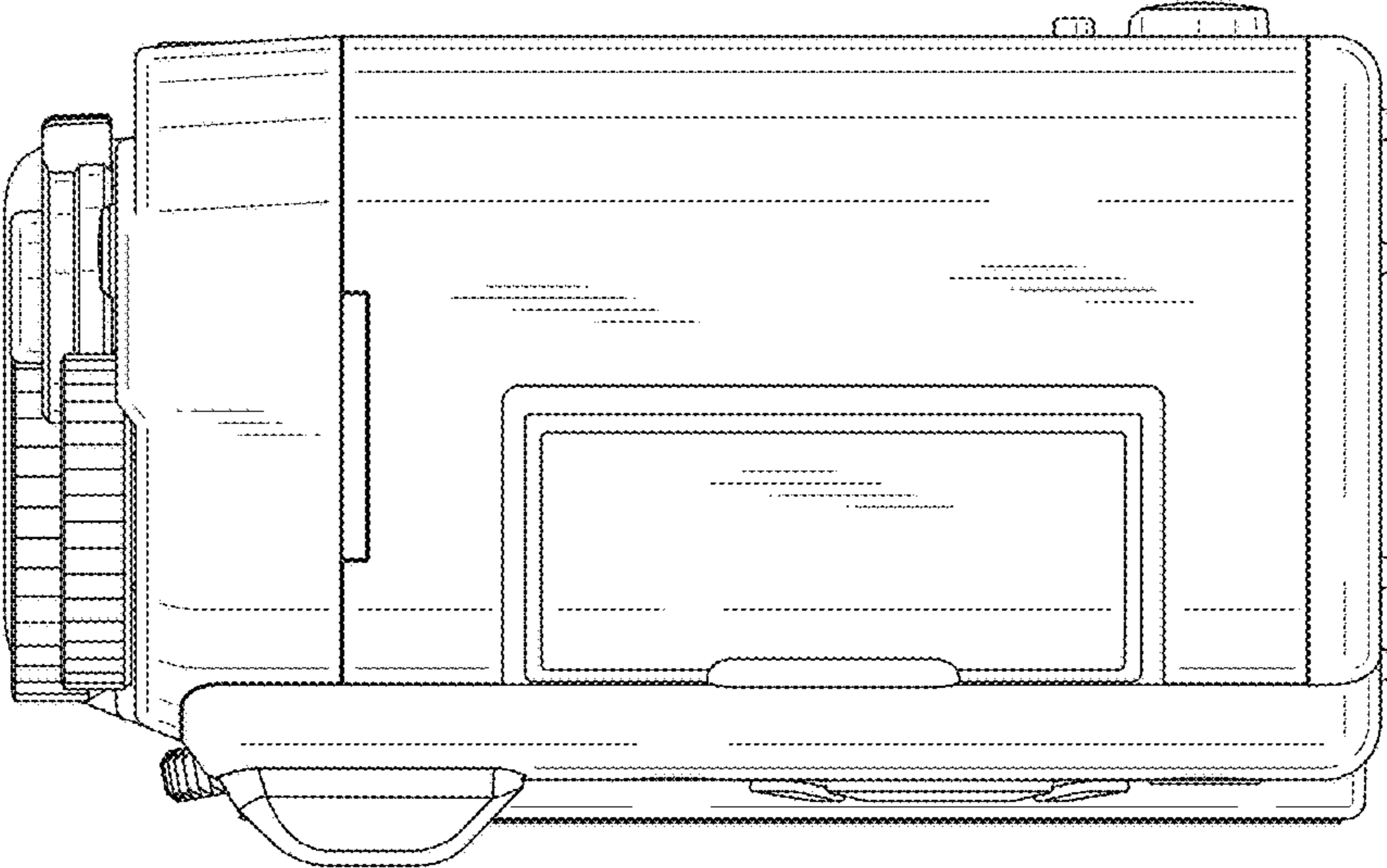


Fig. 5

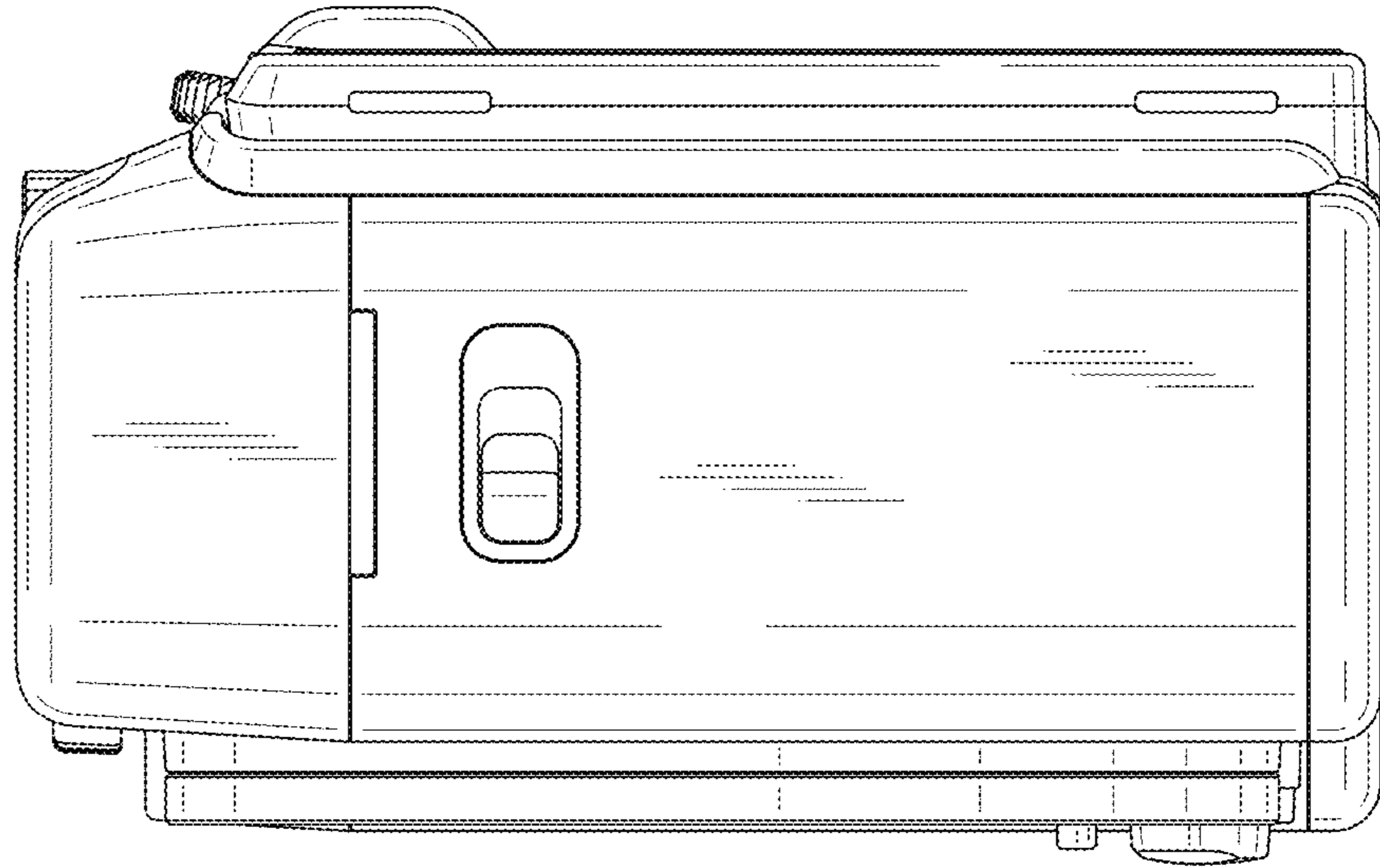


Fig. 6

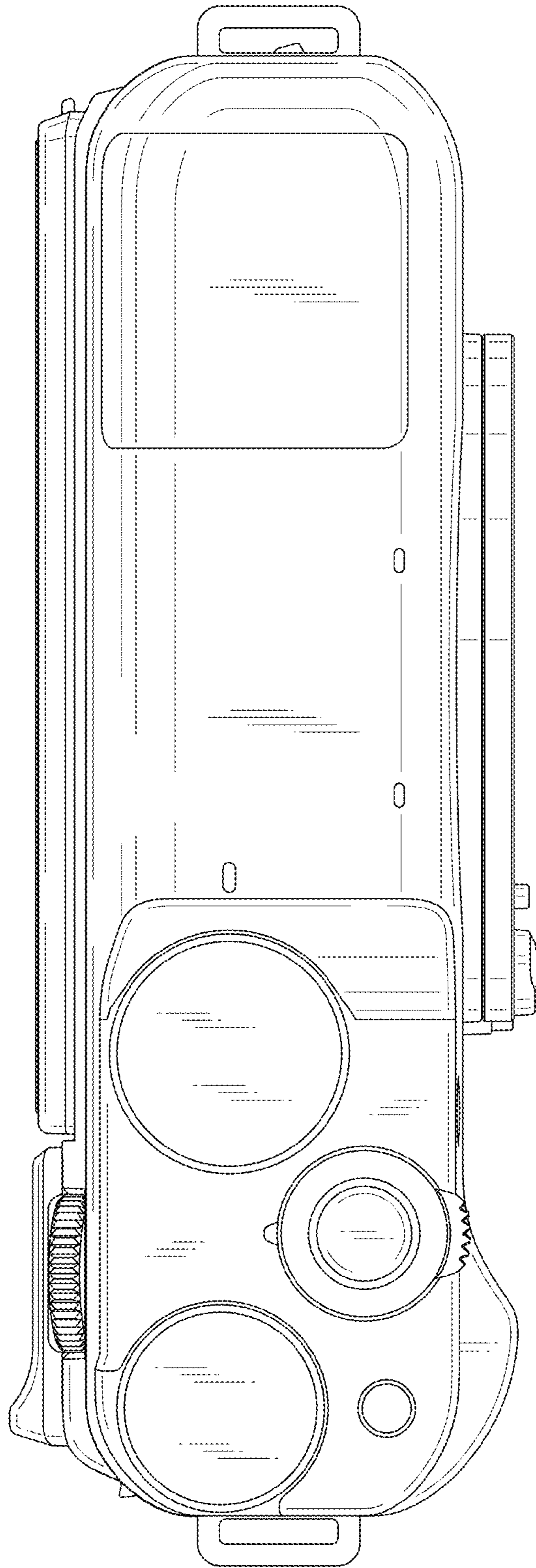


Fig. 7

