



US00D813921S

(12) **United States Design Patent**  
**van Hoff et al.**

(10) **Patent No.:** **US D813,921 S**  
(45) **Date of Patent:** **\*\* Mar. 27, 2018**

- (54) **CAMERA GLOBE IN OPEN CONFIGURATION**
- (71) Applicant: **Jaunt Inc.**, Palo Alto, CA (US)
- (72) Inventors: **Arthur van Hoff**, Palo Alto, CA (US);  
**Thomas M. Annau**, Palo Alto, CA (US); **Jens Christensen**, Palo Alto, CA (US); **Koji Gardiner**, Palo Alto, CA (US); **Punit Govenji**, Palo Alto, CA (US); **James Dunn**, Palo Alto, CA (US)

(\*\*) Term: **15 Years**

(21) Appl. No.: **29/540,494**

(22) Filed: **Sep. 24, 2015**

(51) **LOC (11) Cl.** ..... **16-01**

(52) **U.S. Cl.**  
USPC ..... **D16/200; D16/218**

(58) **Field of Classification Search**  
USPC ..... D16/200–208, 210, 218, 219, 242;  
348/36, 143, 148, 151, 373–376;  
396/419, 427, 535–541  
CPC ..... G03B 15/03; G03B 17/02; G03B 17/04;  
G03B 17/56; G03B 19/04; H04N 5/2251;  
H04N 5/2252; H04N 5/2253; H04N  
5/2254; H04N 2101/00  
See application file for complete search history.

(56) **References Cited**

**U.S. PATENT DOCUMENTS**

- 5,413,551 A \* 5/1995 Wu ..... A61H 15/00  
601/131
- 5,853,045 A \* 12/1998 Patry ..... F28D 20/023  
165/10
- D457,904 S \* 5/2002 Toste ..... D16/203
- D460,978 S \* 7/2002 Toste ..... D16/203

- D527,406 S \* 8/2006 Lin ..... D16/202
- D629,435 S \* 12/2010 Barley ..... D16/202
- D696,707 S \* 12/2013 Guastadini ..... D16/202
- D700,232 S \* 2/2014 Ramsay ..... D16/207
- D768,750 S \* 10/2016 Pfeil ..... D16/207
- 9,609,234 B1 \* 3/2017 Checka ..... H04N 5/247
- 2011/0128349 A1 \* 6/2011 Theobald ..... H04N 5/23238  
348/36
- 2013/0258102 A1 \* 10/2013 Chen ..... G03B 17/02  
348/143

\* cited by examiner

*Primary Examiner* — Philip S Hyder

*Assistant Examiner* — Ramzi S Almatrahi

(74) *Attorney, Agent, or Firm* — Burbage Law, P.C.;  
Jon-Michael Burbage

(57) **CLAIM**

The ornamental design for a camera globe in open configuration, as shown and described.

**DESCRIPTION**

FIG. 1 is a top, back, and left side perspective view of a camera globe in open configuration showing our new design;

FIG. 2 is a top, back, and right side perspective view thereof;

FIG. 3 is a bottom perspective view thereof;

FIG. 4 is a top view thereof;

FIG. 5 is a bottom view thereof;

FIG. 6 is a front view thereof;

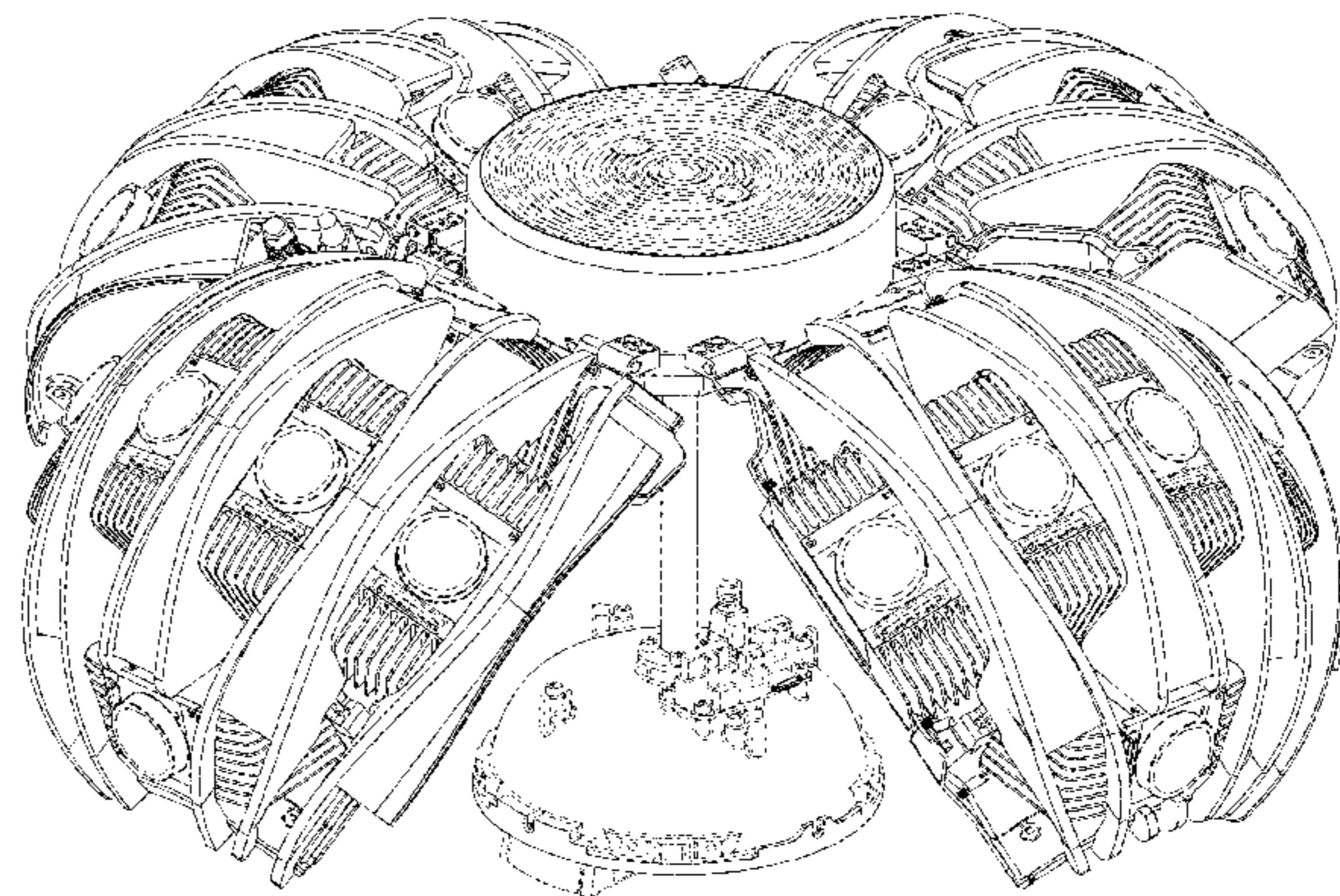
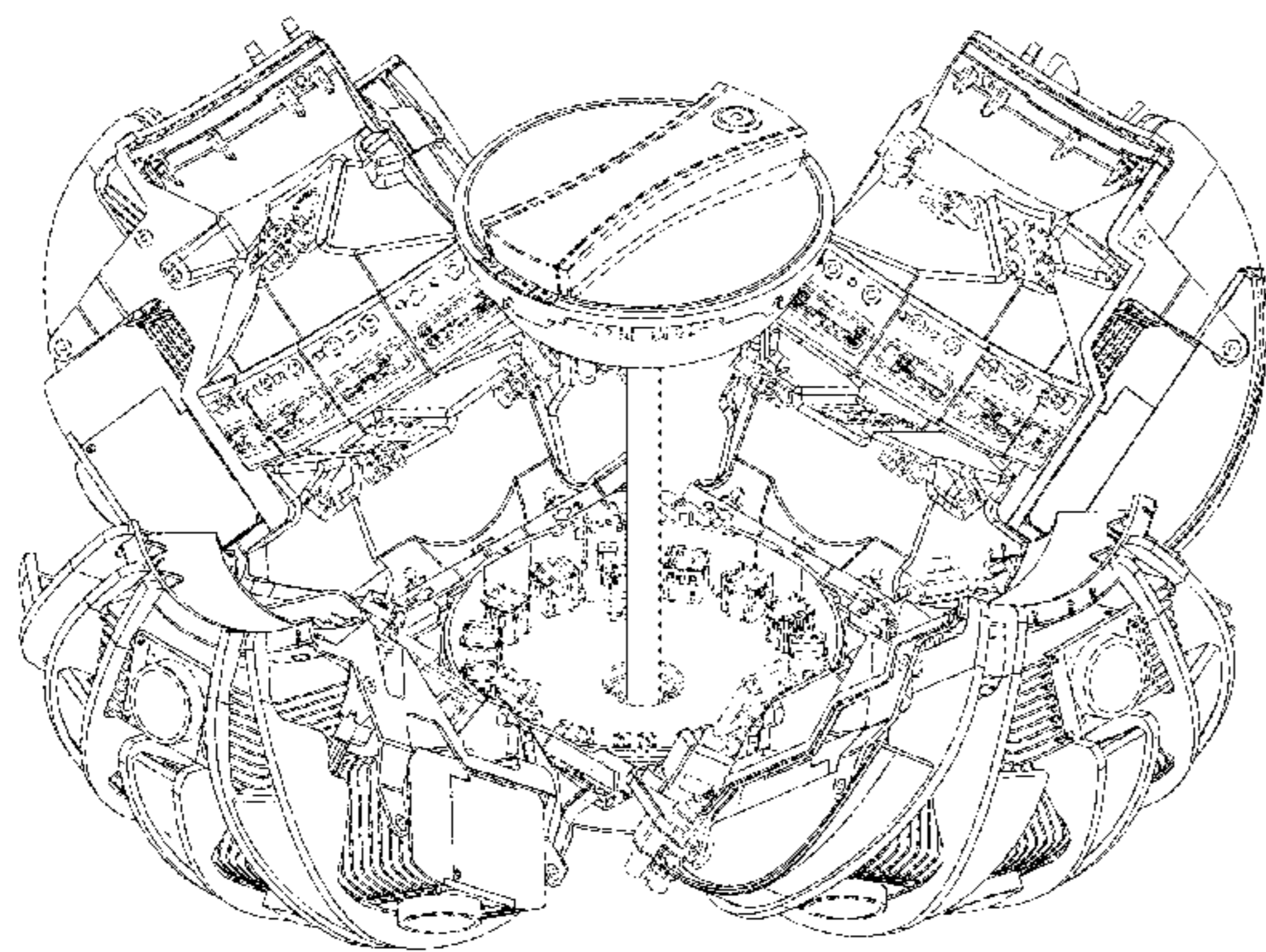
FIG. 7 is a right side view thereof;

FIG. 8 is a back view thereof; and,

FIG. 9 is a left side view thereof.

The broken lines depict portions of the camera globe in open configuration in which the design is embodied that form no part of the claimed design.

**1 Claim, 7 Drawing Sheets**





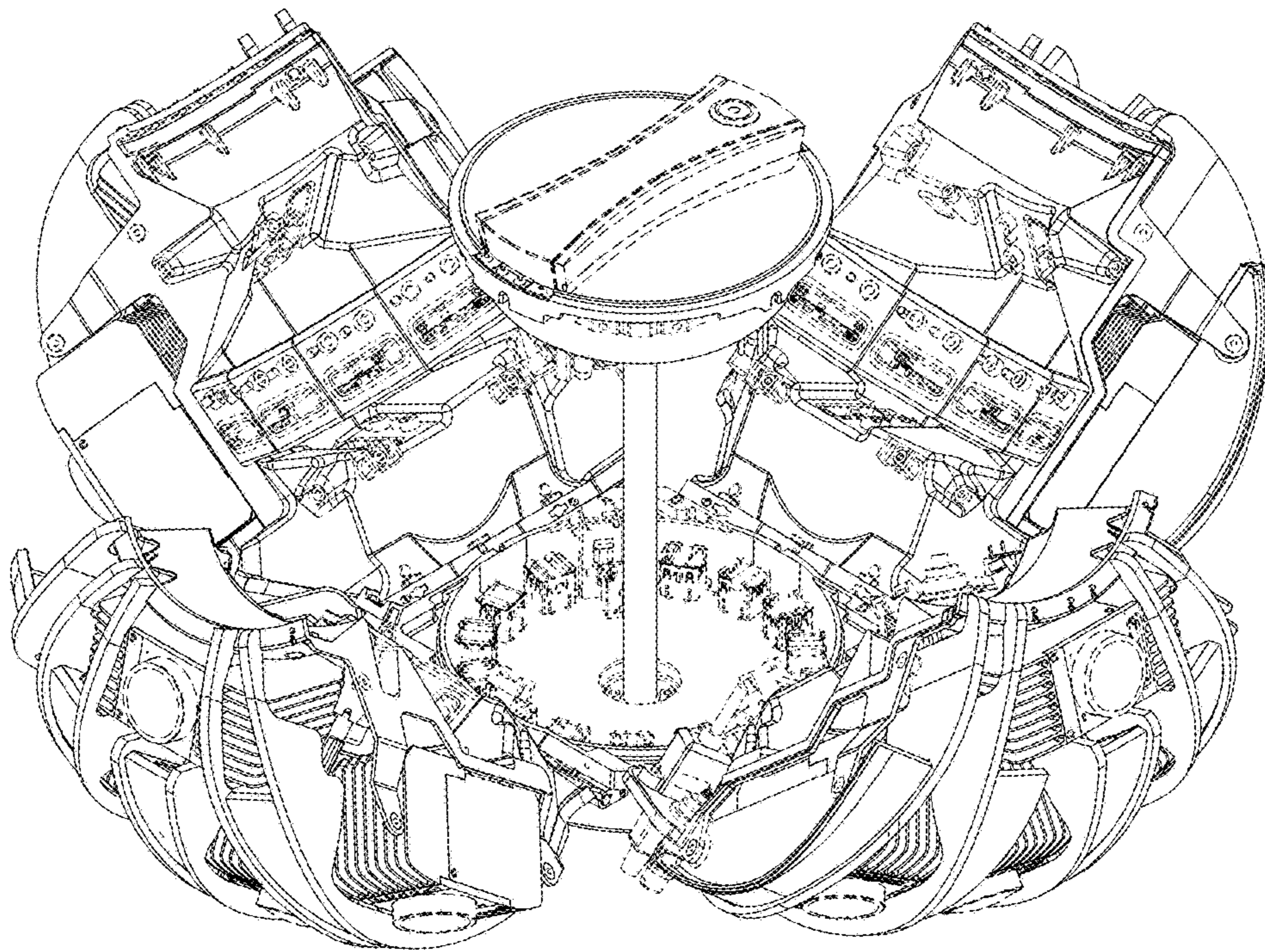


FIG. 1



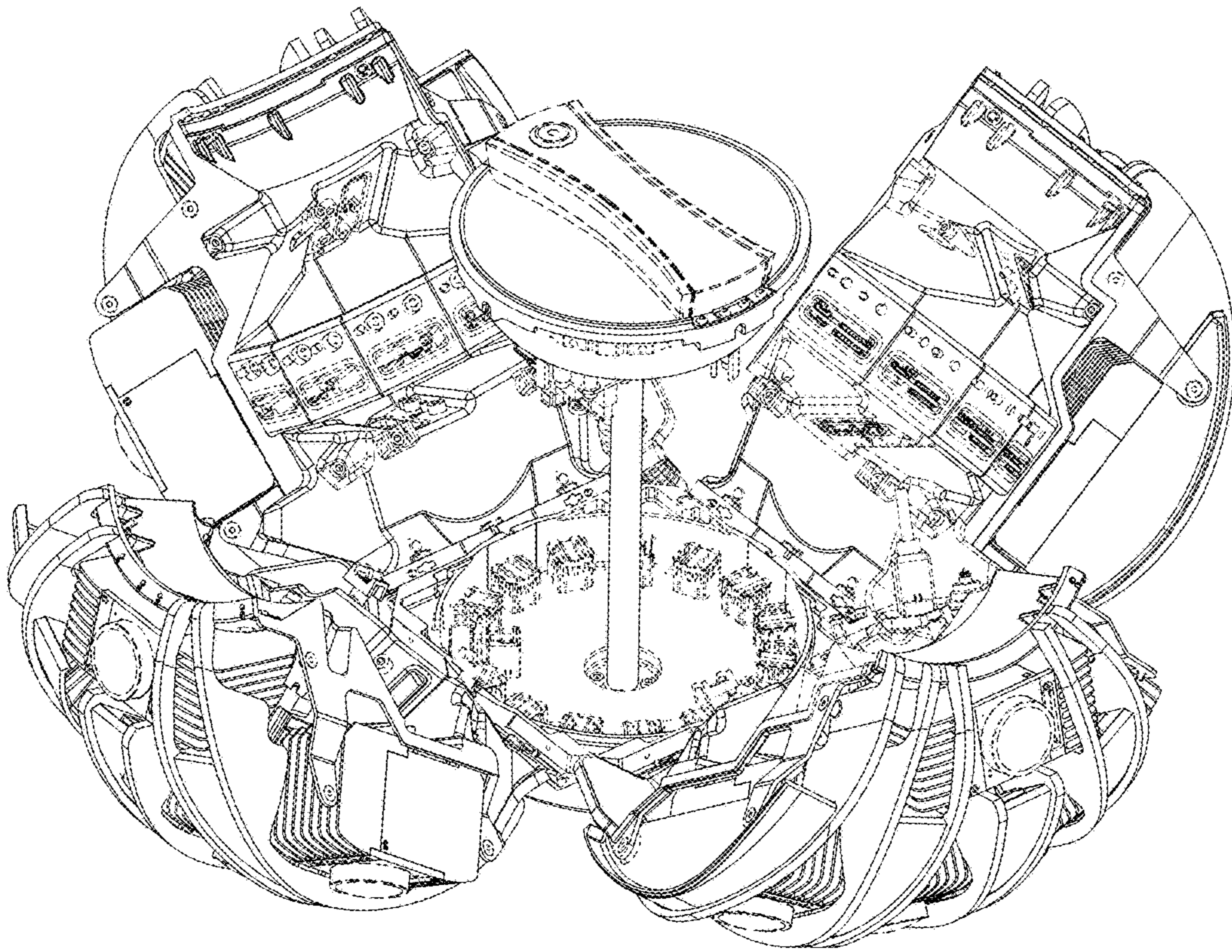


FIG. 2



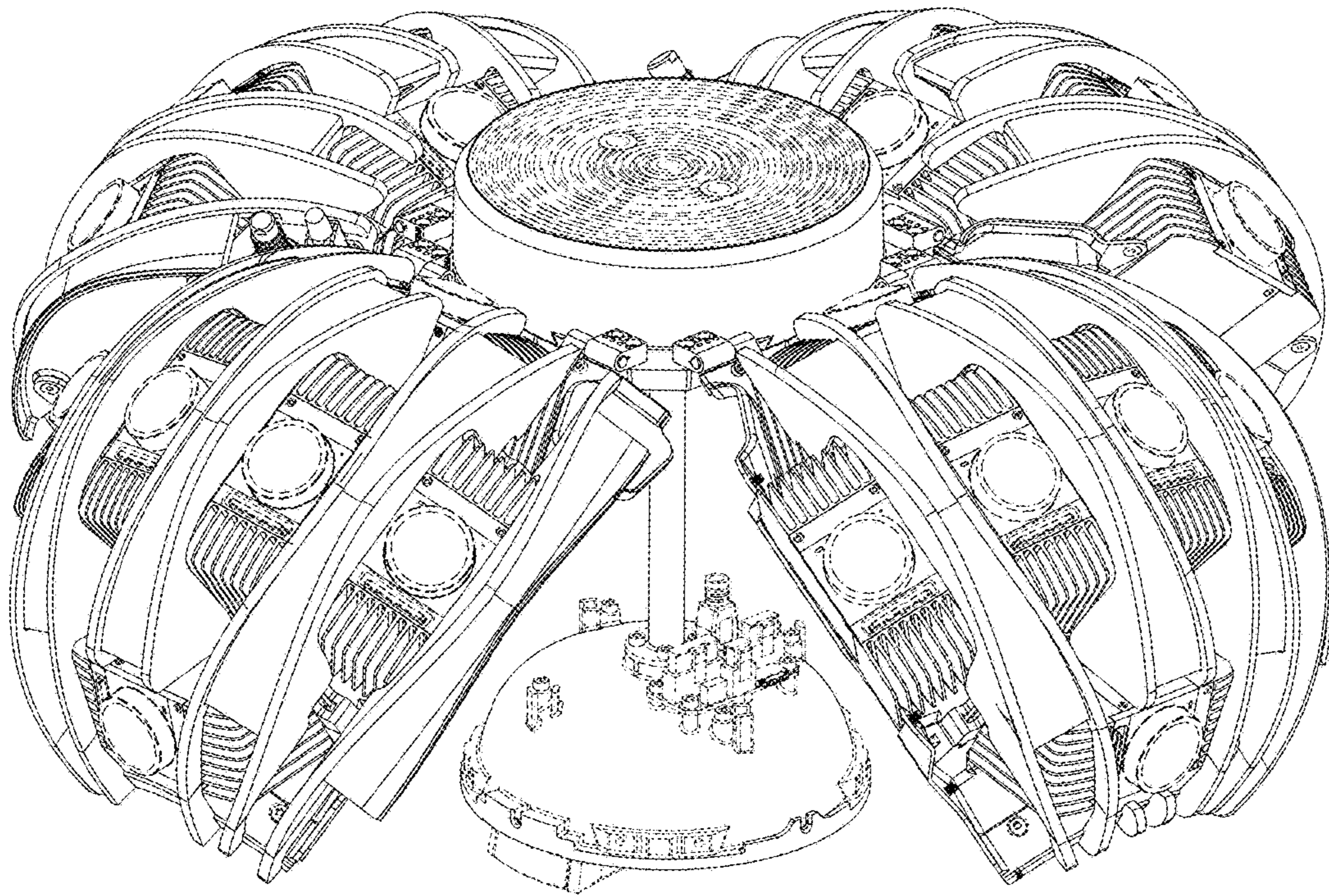


FIG. 3



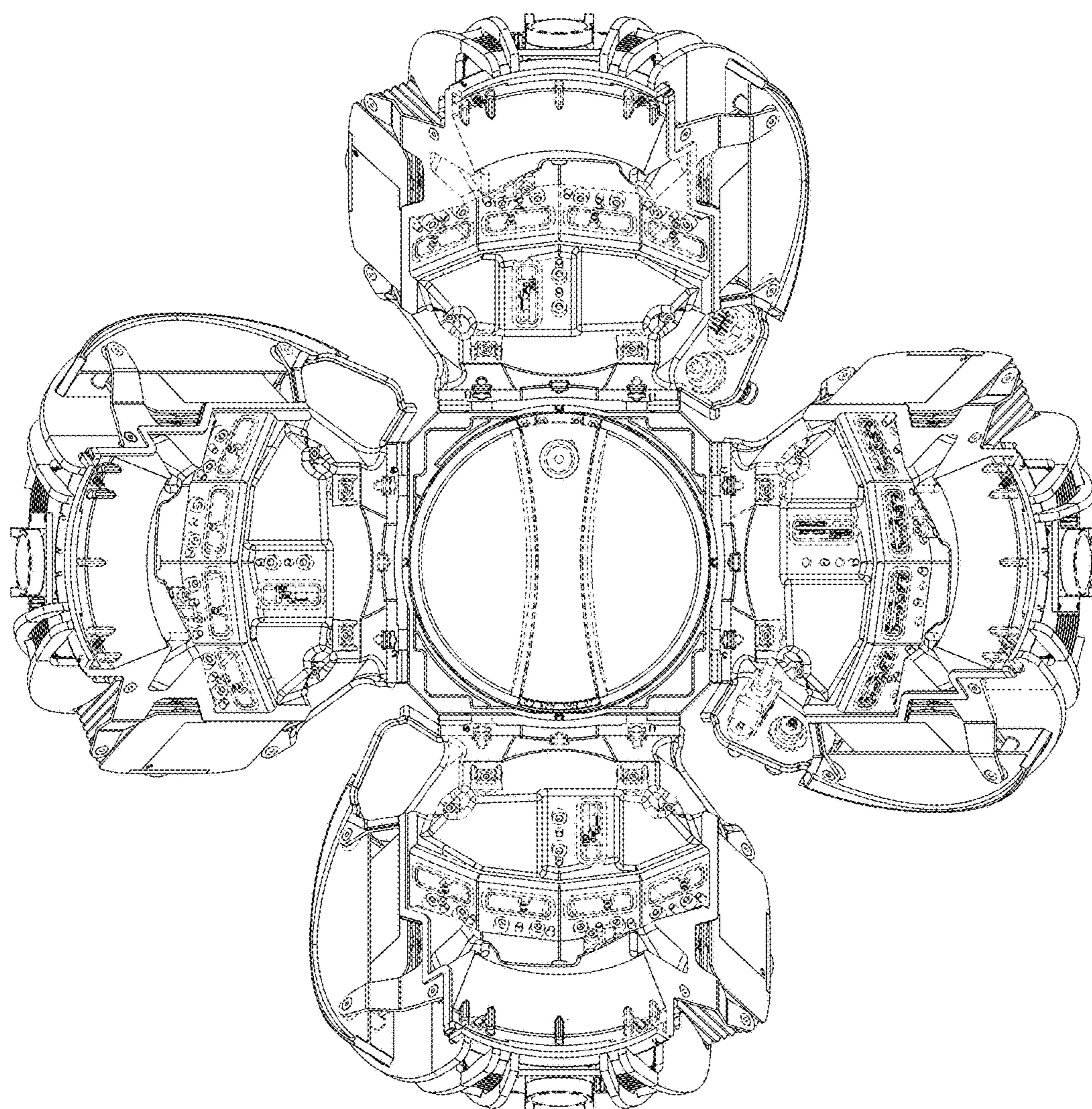


FIG. 4



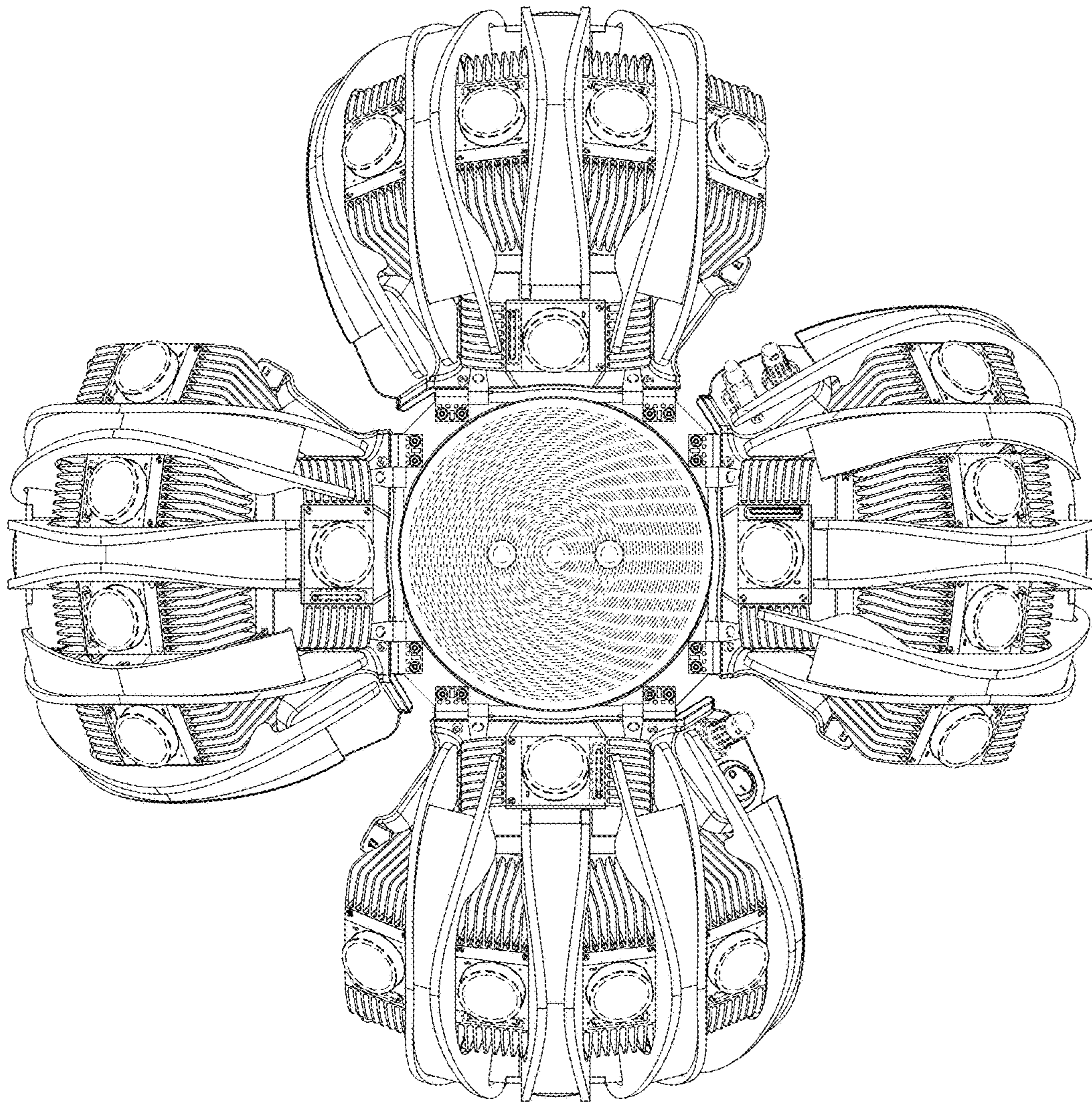


FIG. 5



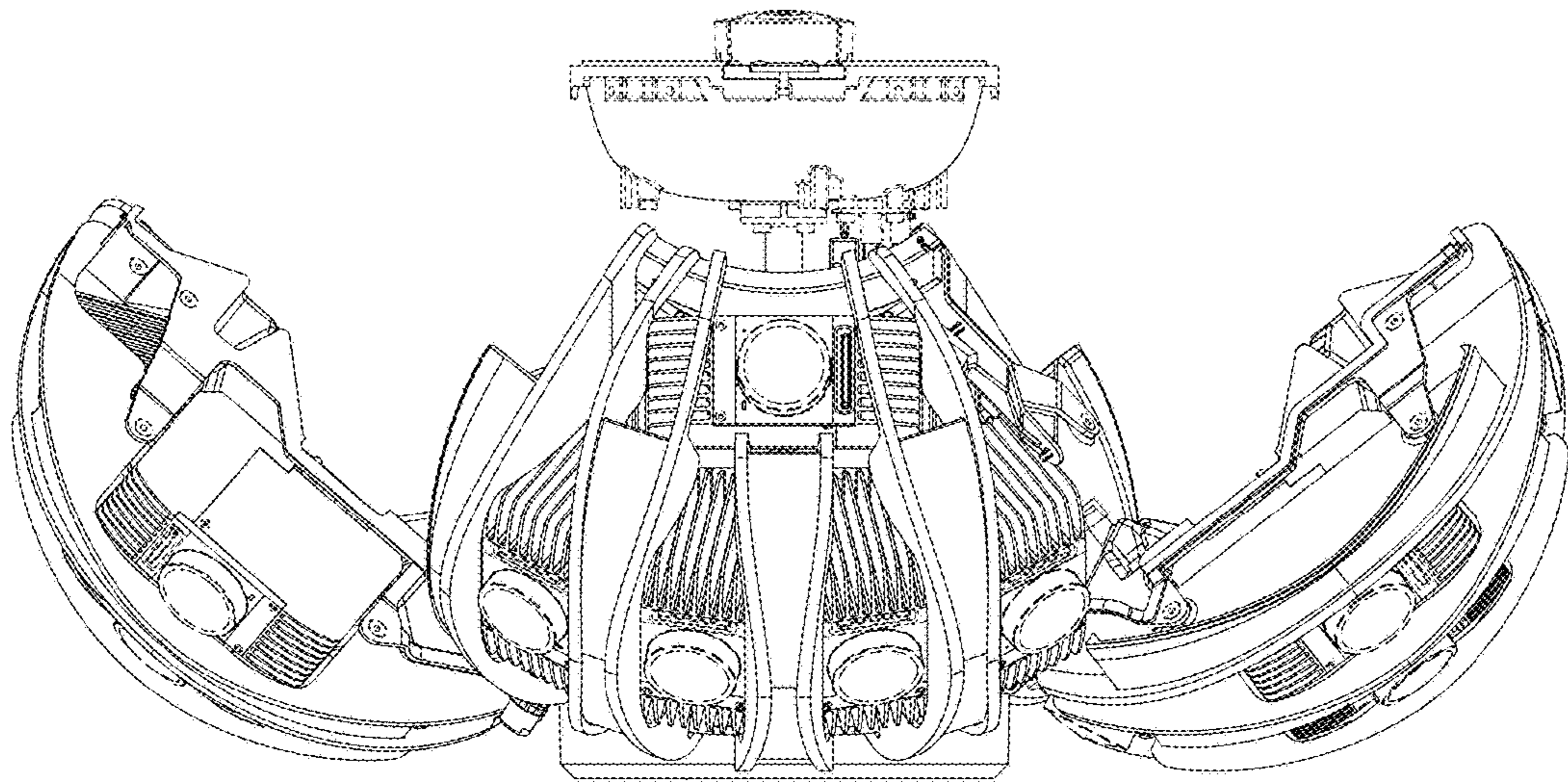


FIG. 6

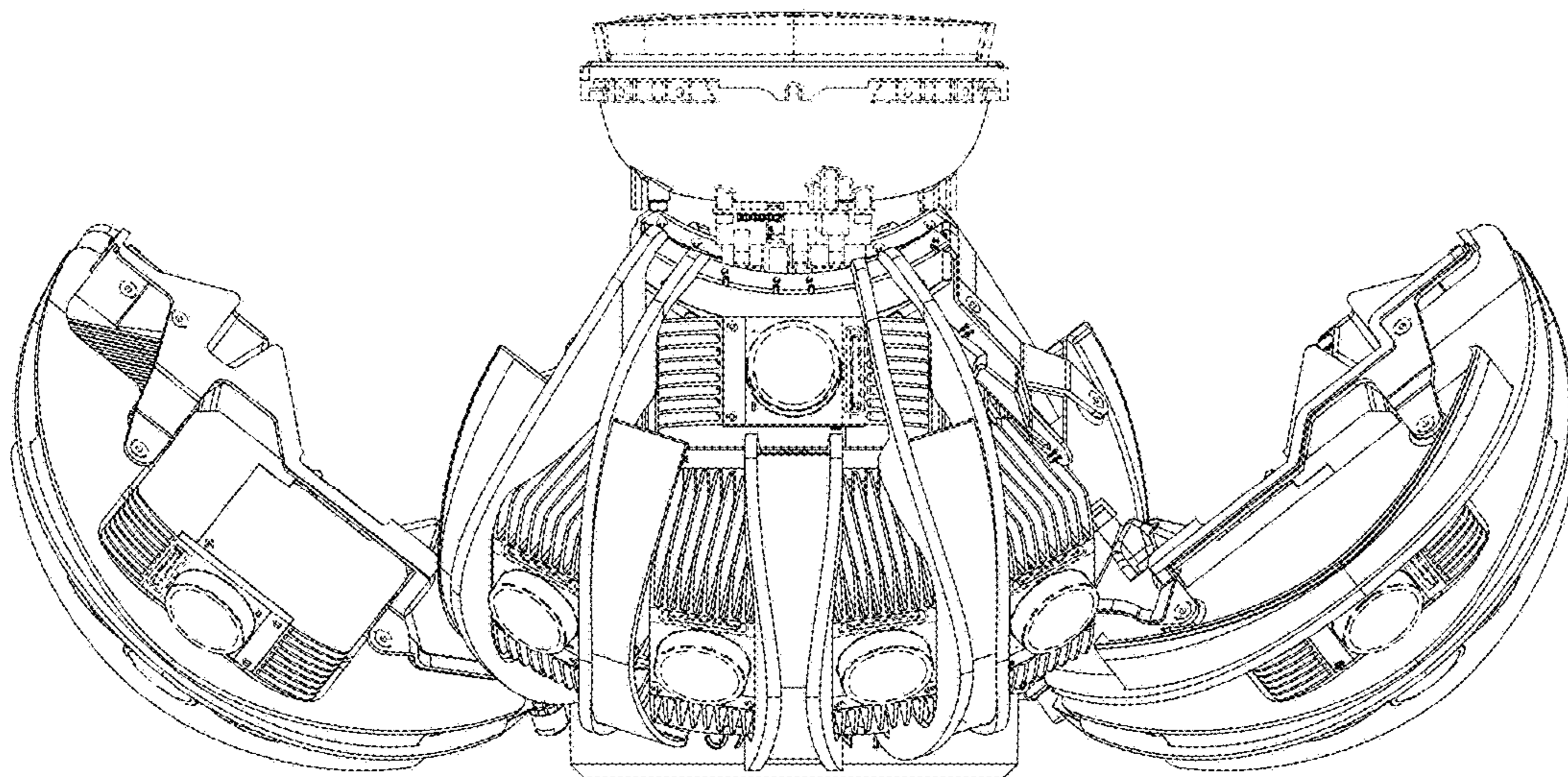


FIG. 7



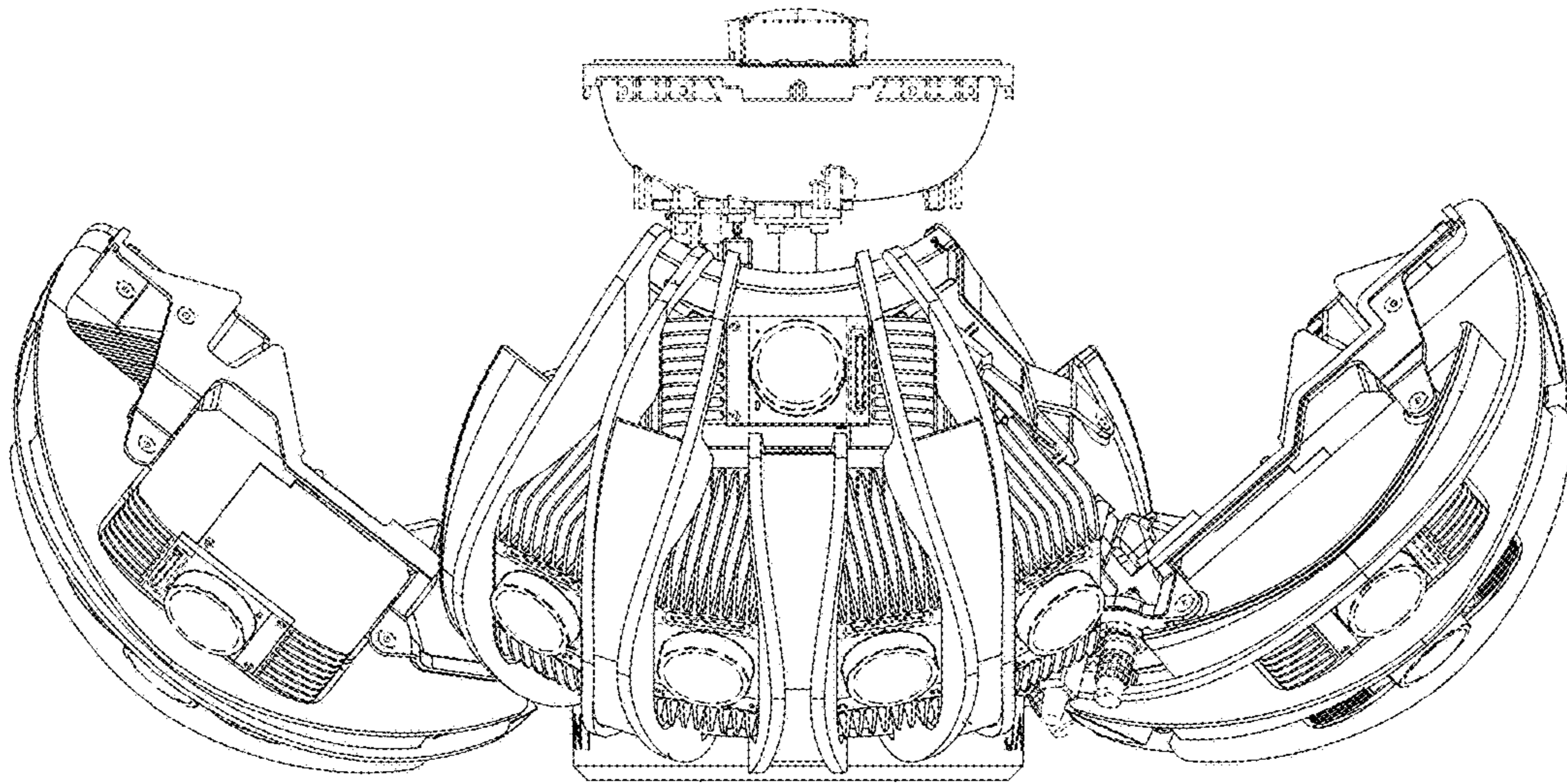


FIG. 8

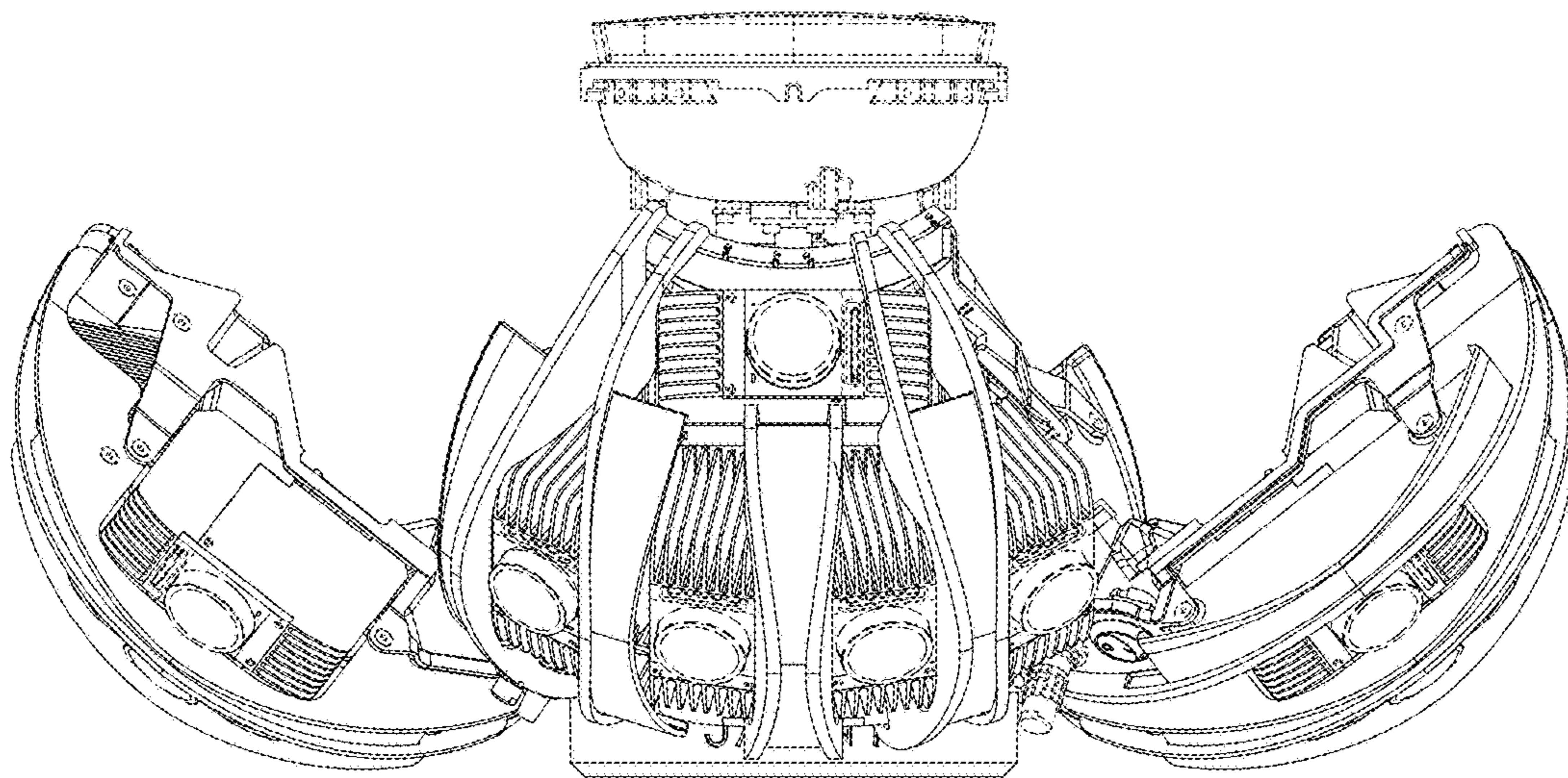


FIG. 9