



US00D813919S

(12) **United States Design Patent**
Cheng

(10) **Patent No.:** **US D813,919 S**
(45) **Date of Patent:** **** Mar. 27, 2018**

(54) **DUST COLLECTOR**

- (71) Applicant: **SAN FORD MACHINERY CO., LTD.**, Taichung (TW)
- (72) Inventor: **Yuan-Tai Cheng**, Taichung (TW)
- (73) Assignee: **SAN FORD MACHINERY CO., LTD.**, Taichung (TW)
- (**) Term: **15 Years**
- (21) Appl. No.: **29/581,209**
- (22) Filed: **Oct. 17, 2016**
- (51) **LOC (11) Cl.** **15-09**
- (52) **U.S. Cl.**
USPC **D15/122**
- (58) **Field of Classification Search**
USPC D7/368, 371, 372, 376, 380, 383, 384,
D7/414, 600.2, 668, 669, 678, 679;
D8/59, 309; D15/122, 138, 141, 147;
D23/386, 387, 391, 393, 394; D32/1, 6,
D32/11, 12, 13, 22-26, 31, 45
CPC .. B01D 46/04; B01D 46/002; B01D 46/0002;
B01D 46/0075; B01D 46/521; B01D
45/00; B01D 45/12; B01D 50/002; A47L
11/4013
See application file for complete search history.

(56) **References Cited**

U.S. PATENT DOCUMENTS

6,507,974 B1 *	1/2003	Cheng	A47L 5/365 15/347
D531,769 S *	11/2006	Lin	D32/21
D593,264 S *	5/2009	Lin	D32/21
D629,575 S *	12/2010	Cheng	D32/21
D629,576 S *	12/2010	Cheng	D32/21
D630,391 S *	1/2011	Cheng	D32/21
D630,392 S *	1/2011	Lin	D32/21
D651,776 S *	1/2012	Cheng	D32/21
2009/0025348 A1 *	1/2009	Cheng	B01D 45/02 55/385.1
2009/0241492 A1 *	10/2009	Lin	B01D 45/14 55/418
2012/0297569 A1 *	11/2012	Cheng	B01D 46/42 15/257.01

OTHER PUBLICATIONS

Laguna blflux 1hp 110v Canister Dust Collector, posted on woodcraft.com, earliest review Feb. 27, 2017, no production date given, [online], [site visited Aug. 22, 2017], Available from Internet, <URL: <https://www.woodcraft.com/products/laguna-b-flux-1hp-110v-canister-dust-collector?via=573621bd69702d0676000002%2C576455d369702d2f2f0013a2%2C57645623>.*

Jet Dust Collector, 1HP, 650CFM, 2 micron, 70dBA, posted on grainger.com, no posted date given, no production date given, [online], [site visited Aug. 22, 2017], Available from Internet, <URL: https://www.grainger.com/product/52HR87&AL!2966!3!166589455177!!!s!104633173317!?!?gclid=CjwKCAjwrO_MBRBxEiwAYJnDLHJCnkhtmqlf1Nv7YcCDw2N0zuQirOlbHoWy6IEPrD9a-b_dWc.*

(Continued)

Primary Examiner — Melanie H Tung
Assistant Examiner — Fritzgerald L Butac
 (74) *Attorney, Agent, or Firm* — Ming Chow; Sinorica, LLC

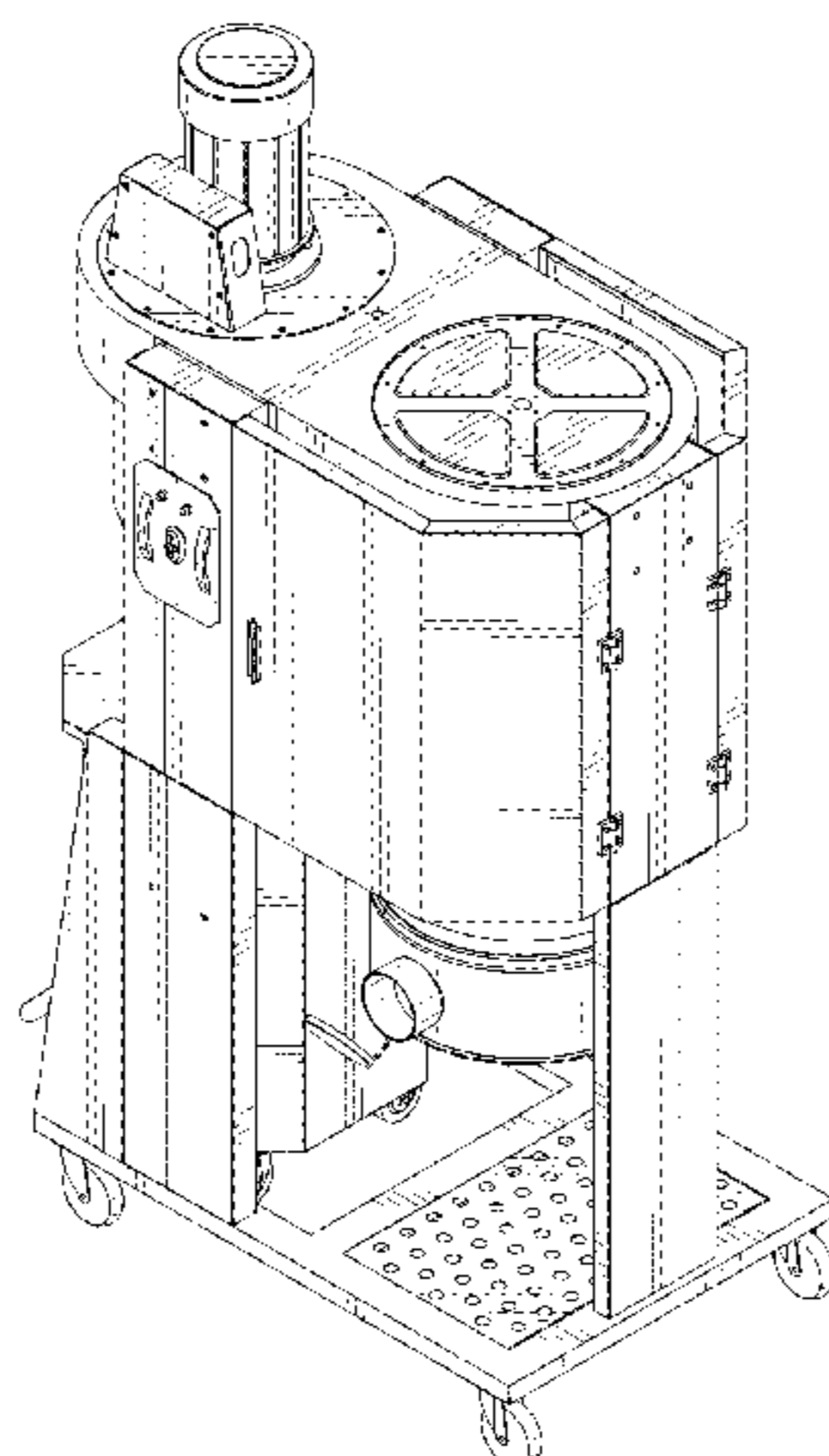
(57) **CLAIM**

I claim the ornamental design for a dust collector, as shown and described.

DESCRIPTION

FIG. 1 is a front perspective view of a dust collector showing my new design;
 FIG. 2 is a front elevational view thereof;
 FIG. 3 is a rear elevational view thereof.
 FIG. 4 is a left side elevational view thereof;
 FIG. 5 is a right side elevational view thereof;
 FIG. 6 is a top plan view thereof; and,
 FIG. 7 is a bottom plan view thereof.

1 Claim, 6 Drawing Sheets



(56)

References Cited

OTHER PUBLICATIONS

Delta 1HP Dust Collector, posted on woodworker.com, no posted date given, no production date given, [online], [site visited Aug. 22, 2017], Available from Internet, <URL: <https://woodworker.com/1hp-dust-collector-bag-type-mssu-50-720.asp>>.*

Bag Filter Collector, posted on interwood.tw, no posted date given, no production date given, [online], [site visited Aug. 22, 2017], Available from Internet, <URL: <http://www.interwood.tw/pro-detail.php?ITID=3841&ln=eng>>.*

* cited by examiner

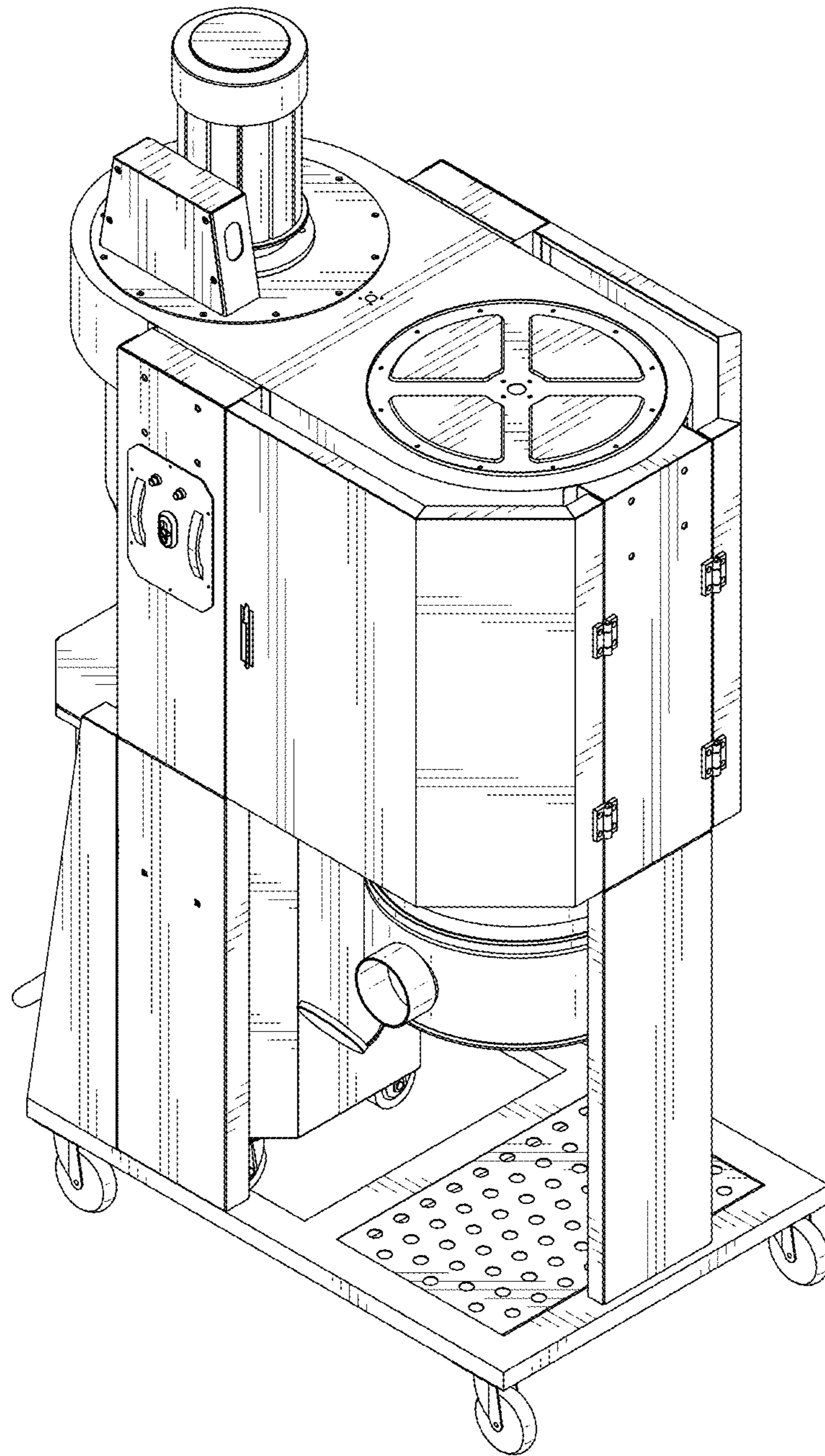


FIG. 1

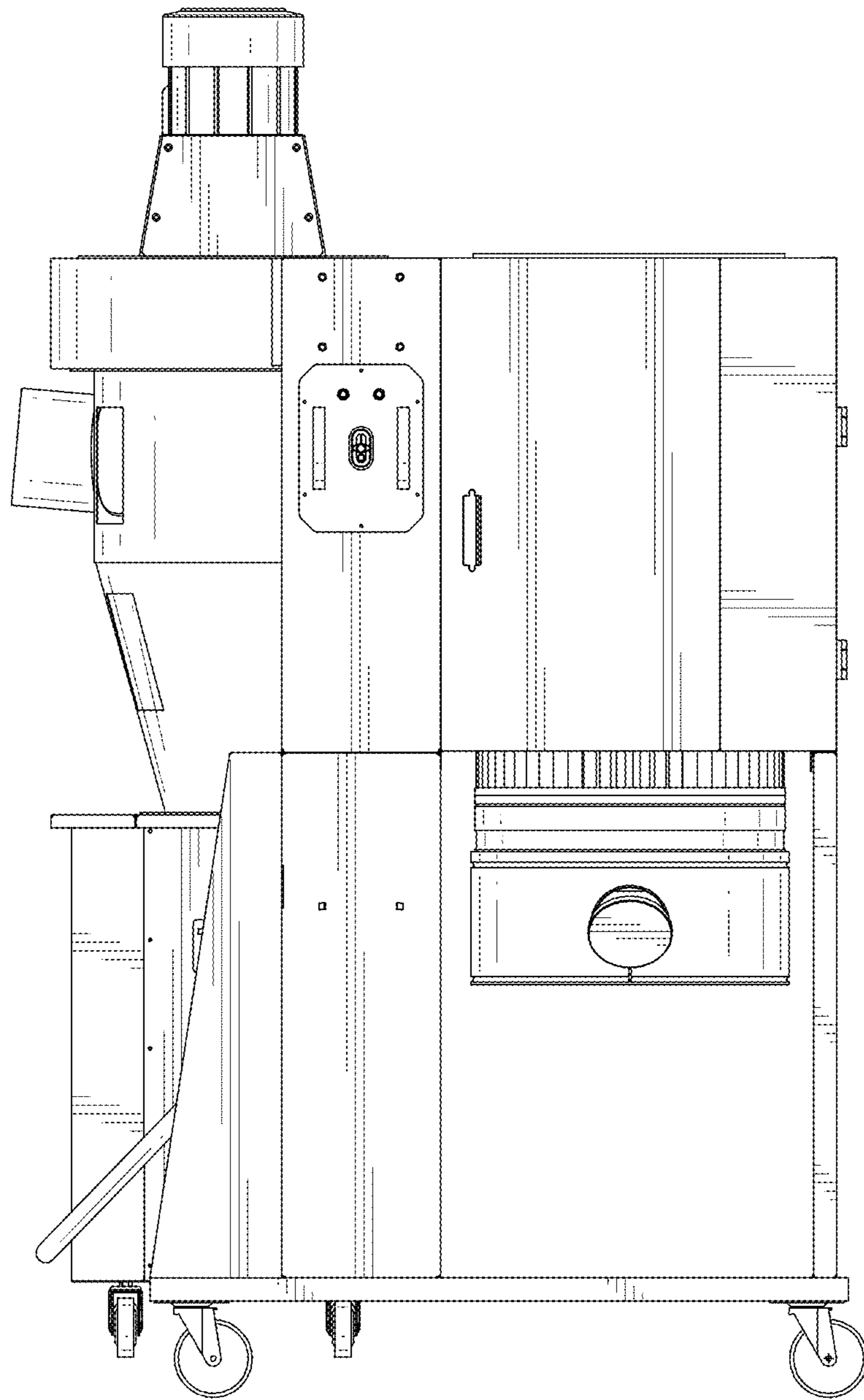


FIG. 2

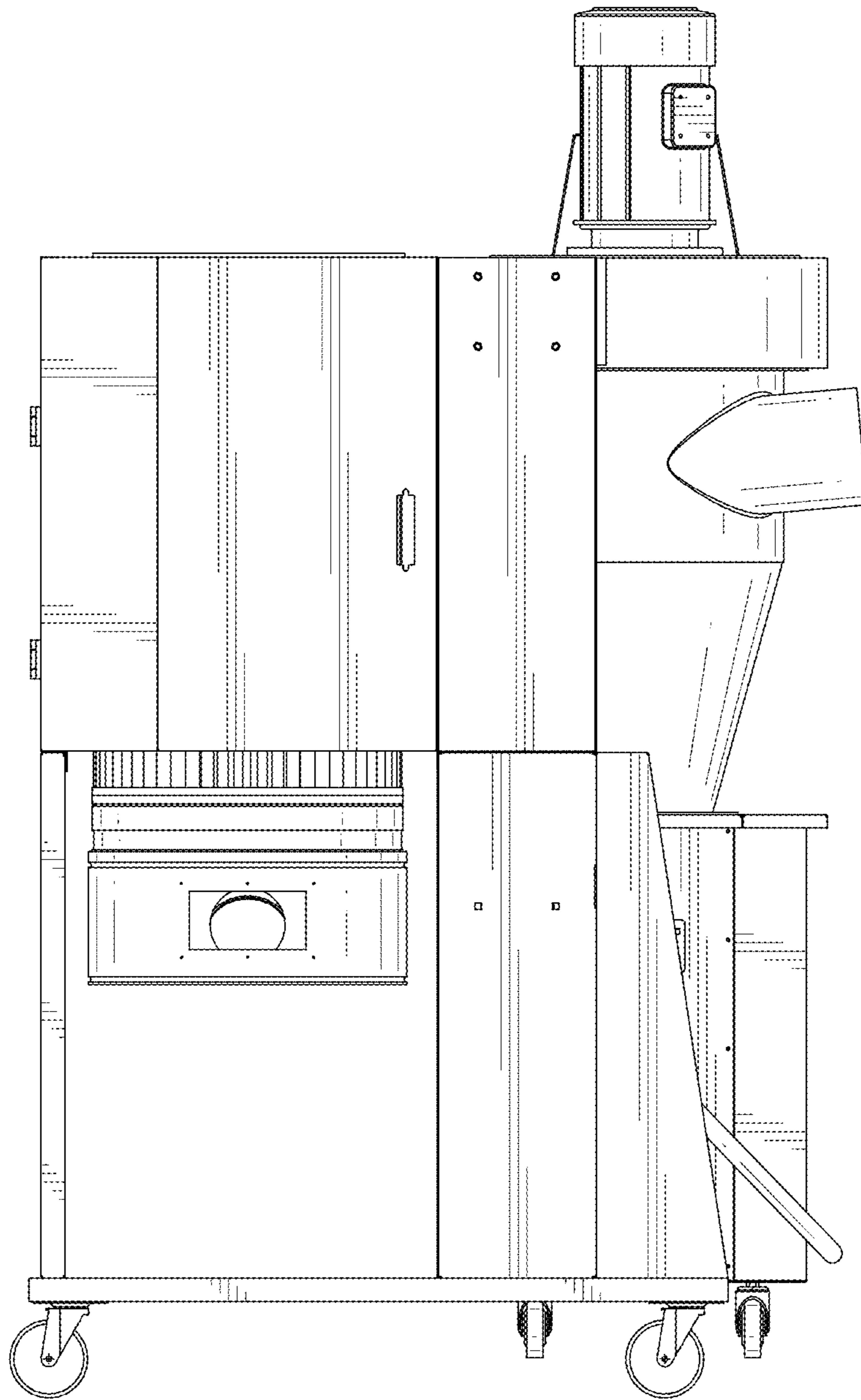


FIG. 3

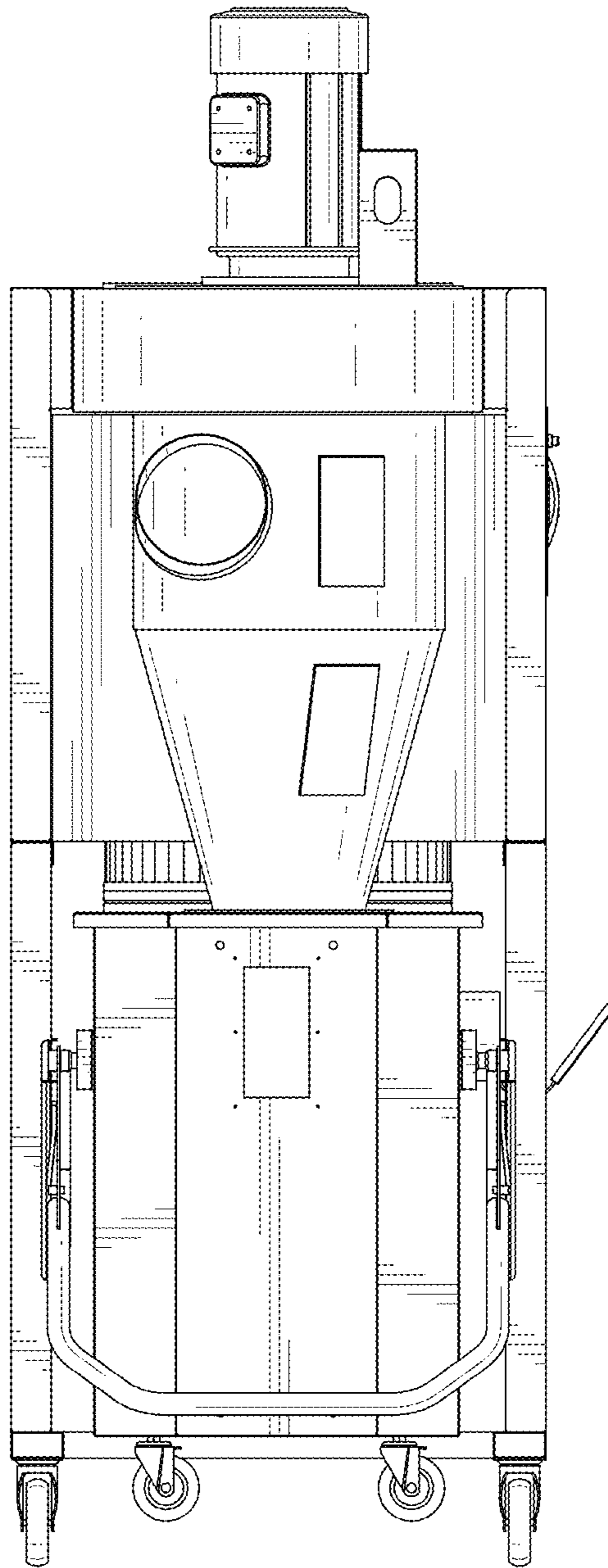


FIG. 4

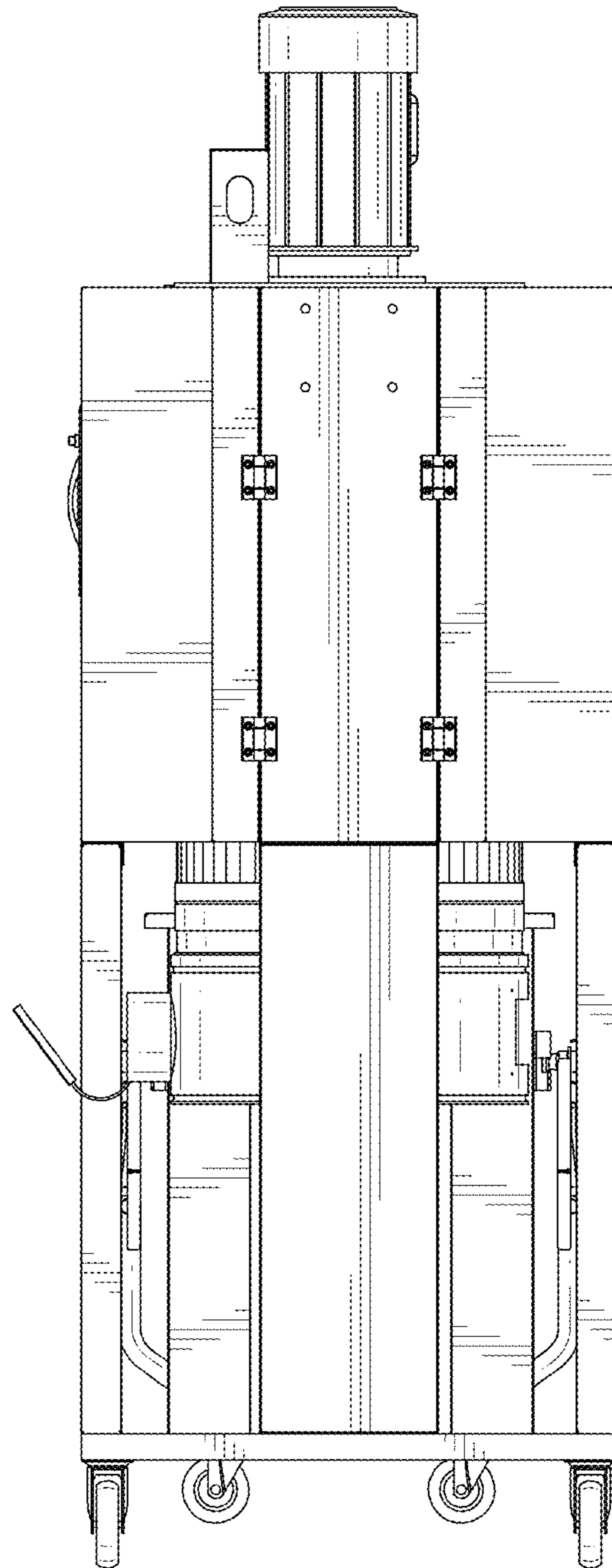


FIG. 5

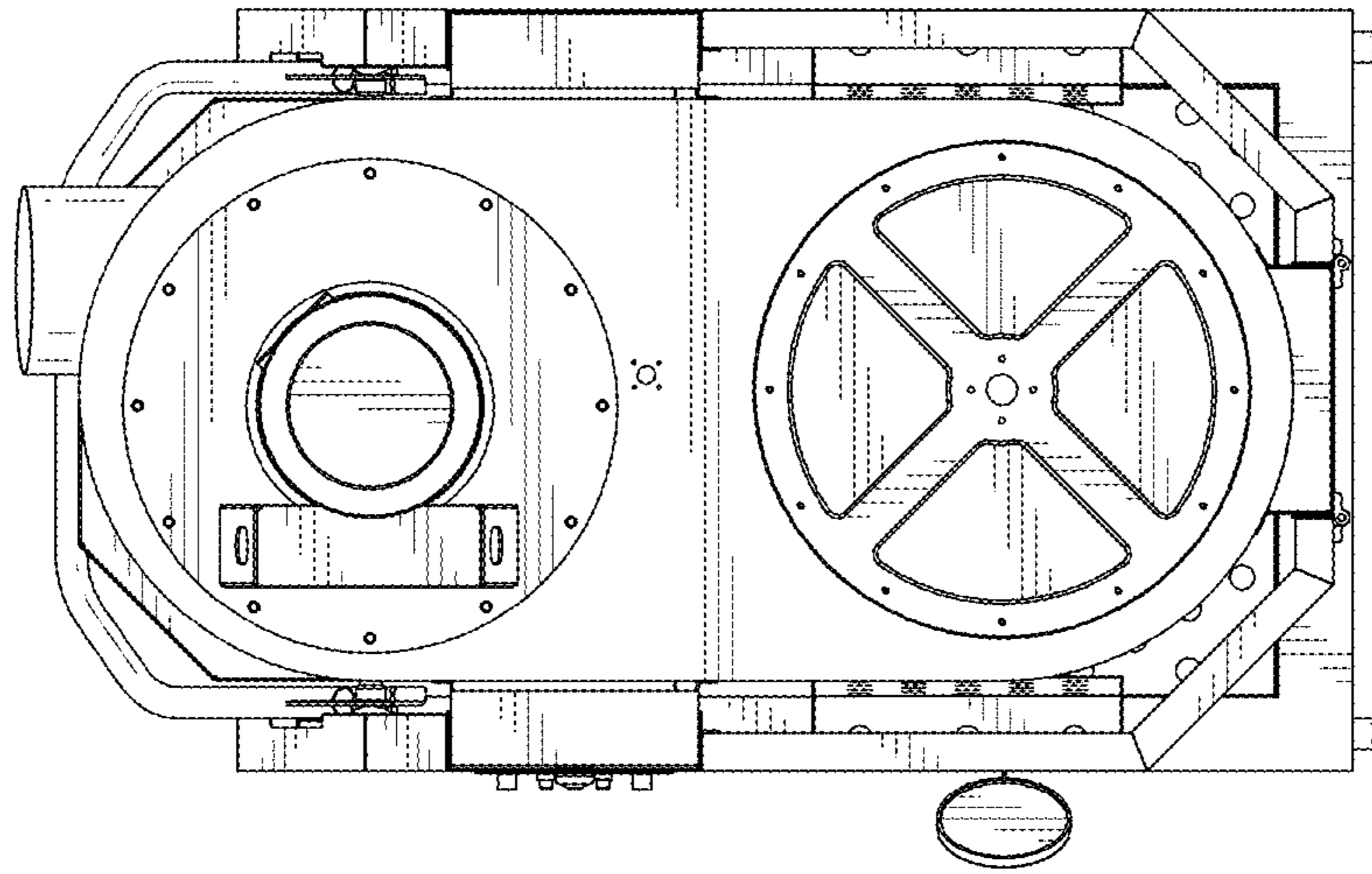


FIG. 6

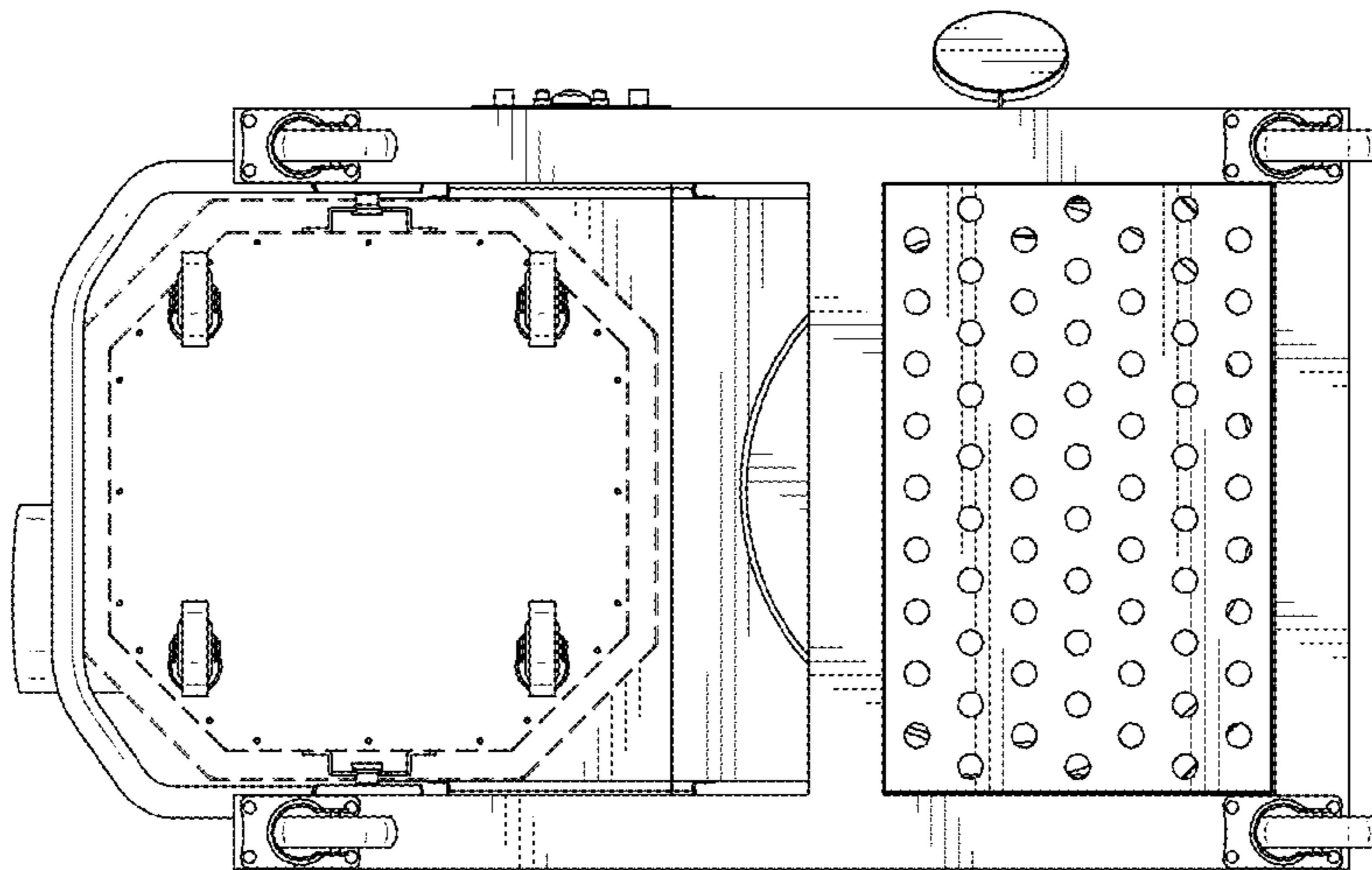


FIG. 7