



US00D813917S

(12) **United States Design Patent**  
**Smiley**

(10) **Patent No.:** **US D813,917 S**  
(45) **Date of Patent:** **\*\* Mar. 27, 2018**

- (54) **COUNTERWEIGHT**
- (71) Applicant: **The Raymond Corporation**, Greene, NY (US)
- (72) Inventor: **Gregory W. Smiley**, Greene, NY (US)
- (73) Assignee: **The Raymond Corporatio**, Greene, NY (US)

D587,285 S *	2/2009	Murakami	.....	D15/28
D678,358 S *	3/2013	Hiraoka	.....	D15/28
D678,359 S *	3/2013	Hagura	.....	D15/28
D680,136 S *	4/2013	Tsukamoto	.....	D15/28
D724,106 S *	3/2015	Gallagher	.....	D15/28
D725,157 S *	3/2015	Higuchi	.....	D15/28
D726,229 S *	4/2015	Turner	.....	D15/28
D767,644 S *	9/2016	Underhill	.....	D15/28
D768,209 S *	10/2016	Jilbert	.....	D15/28
D774,105 S *	12/2016	Jilbert	.....	D15/28

(\*\*) Term: **15 Years**

\* cited by examiner

(21) Appl. No.: **29/599,012**

*Primary Examiner* — Mark Goodwin

(22) Filed: **Mar. 30, 2017**

(74) *Attorney, Agent, or Firm* — Quarles & Brady LLP

(51) **LOC (11) Cl.** ..... **15-03**

(52) **U.S. Cl.**  
USPC ..... **D15/28**

(57) **CLAIM**

The ornamental design for a counterweight, as shown and described.

(58) **Field of Classification Search**  
USPC ..... D15/10, 22–29, 30, 33, 31; D34/34, 35;  
296/193.03, 193.08; 172/611, 776;  
180/69.24, 89.1, 89.12, 89.13, 900, 326;  
37/443, 379; 414/601, 602, 685, 687,  
414/688, 694, 722–724, 699, 680, 698,  
414/719, 743  
CPC ..... E02F 9/18; B62D 49/085; B62D 49/08;  
B66C 23/72; B66C 23/74  
See application file for complete search history.

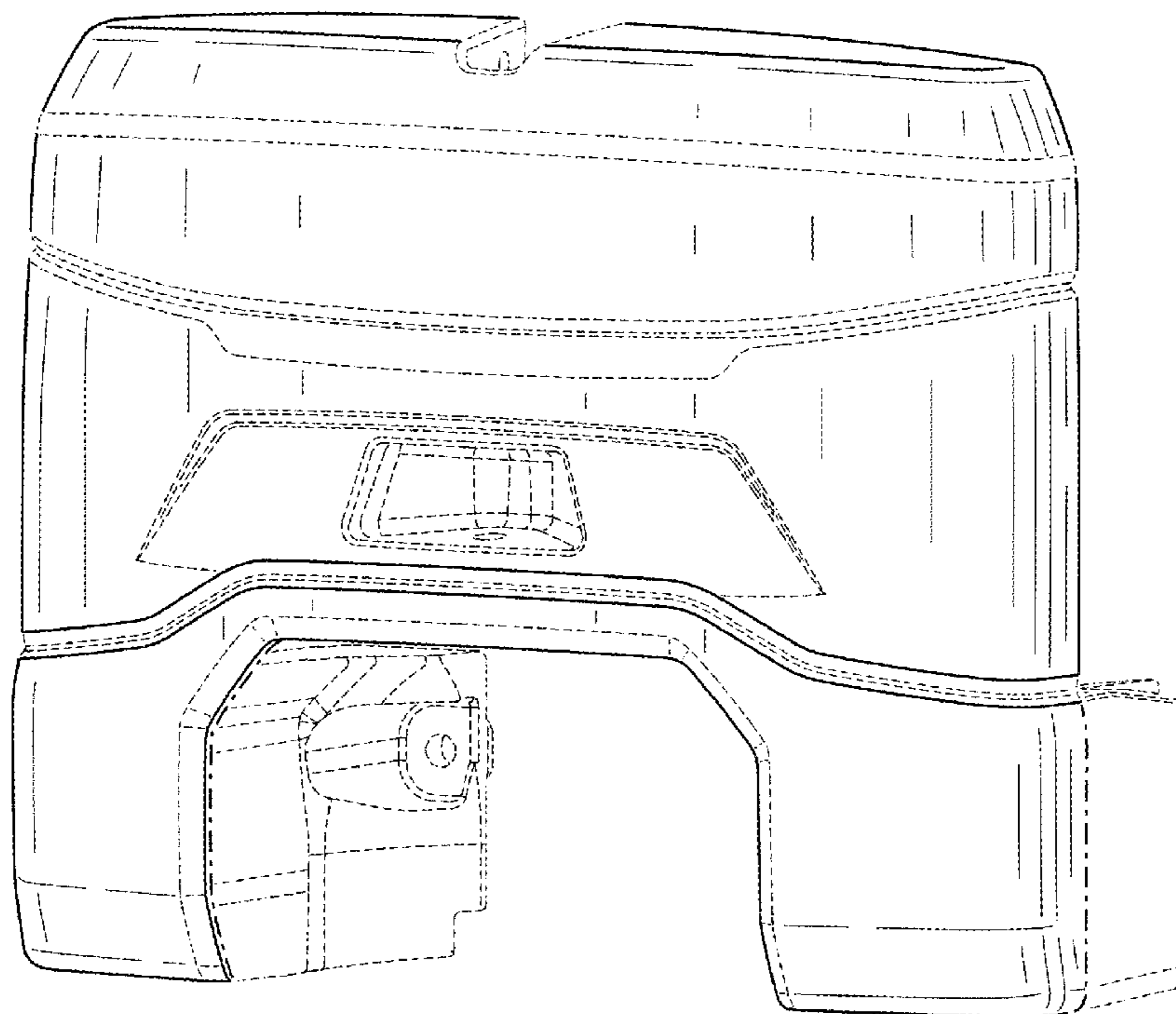
**DESCRIPTION**

FIG. 1 is an upper frontal perspective view of a counterweight showing my new design;  
FIG. 2 is a front elevational view thereof;  
FIG. 3 is a rear elevational view thereof;  
FIG. 4 is a right side elevational view thereof;  
FIG. 5 is a left side elevational view thereof;  
FIG. 6 is a top plan view thereof; and,  
FIG. 7 is a bottom plan view thereof.  
The dash-dash broken lines are for the purpose of illustrating unclaimed subject matter only and form no part of the claimed design. The dash-dot lines are for the purpose of indicating the boundary between claimed and unclaimed areas and form no part of the claimed design.

(56) **References Cited**  
U.S. PATENT DOCUMENTS

D559,279 S *	1/2008	Sakitani	.....	D15/28
D579,465 S *	10/2008	Ochi	.....	D15/28

**1 Claim, 5 Drawing Sheets**



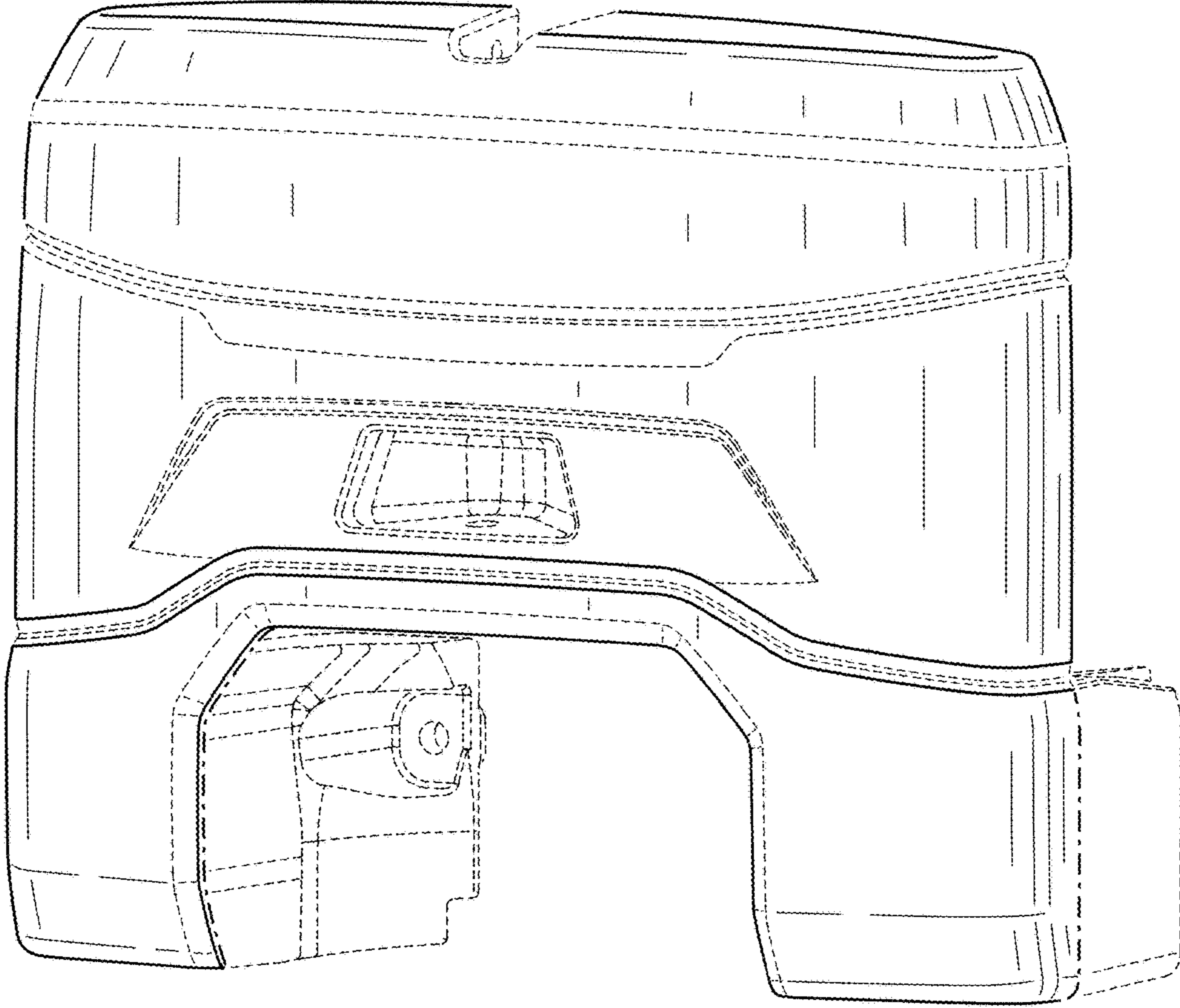


FIG. 1

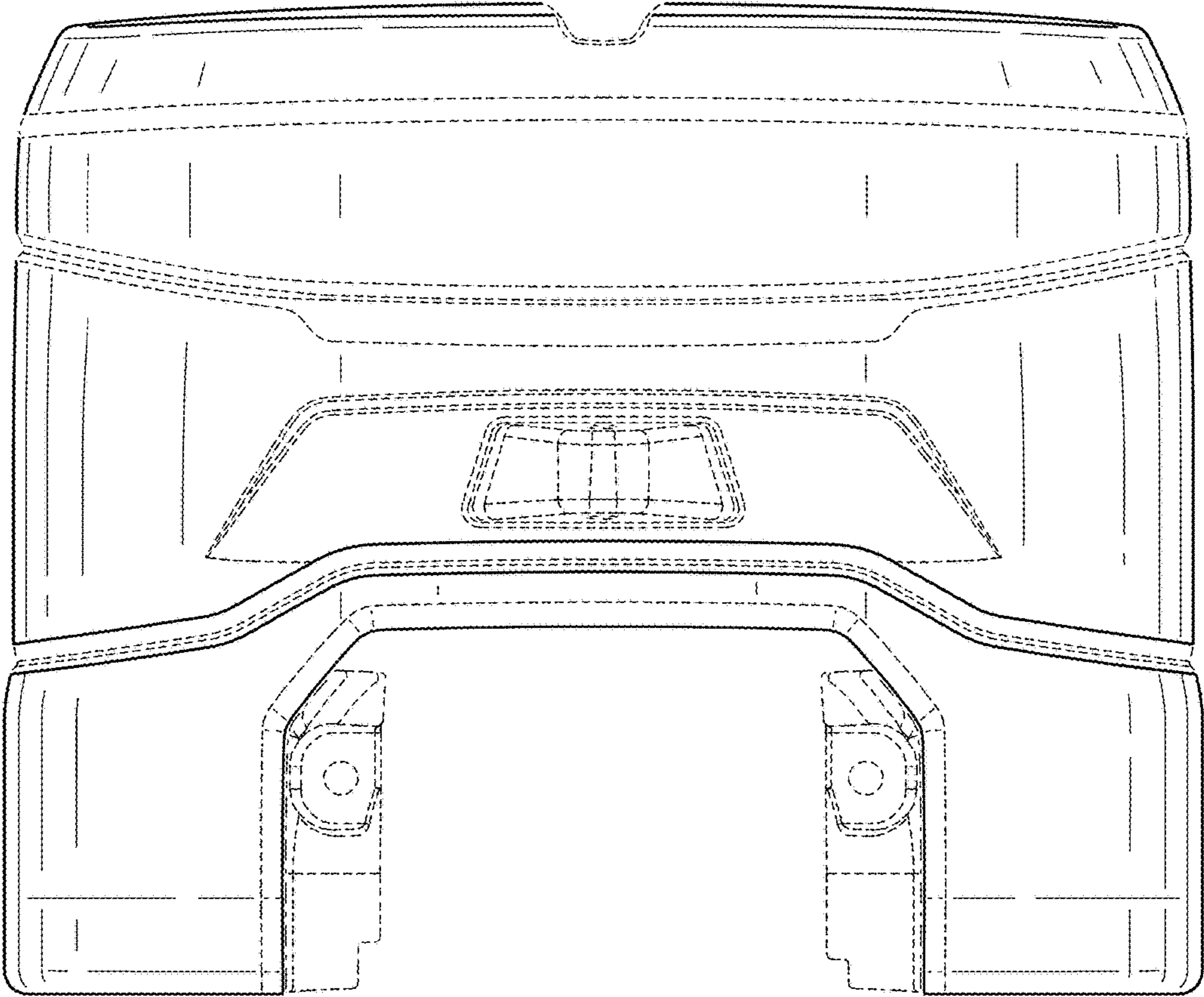


FIG. 2



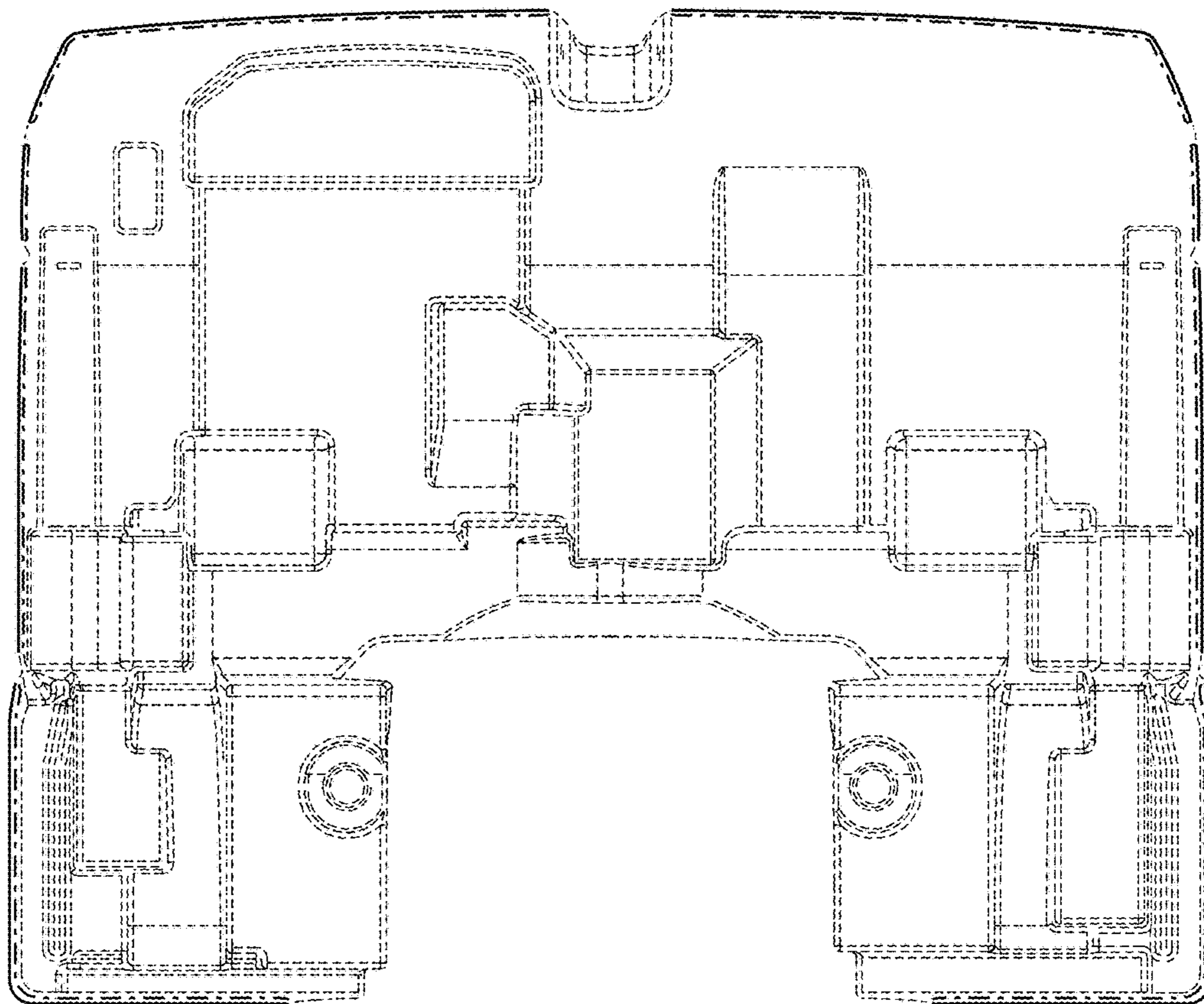


FIG. 3

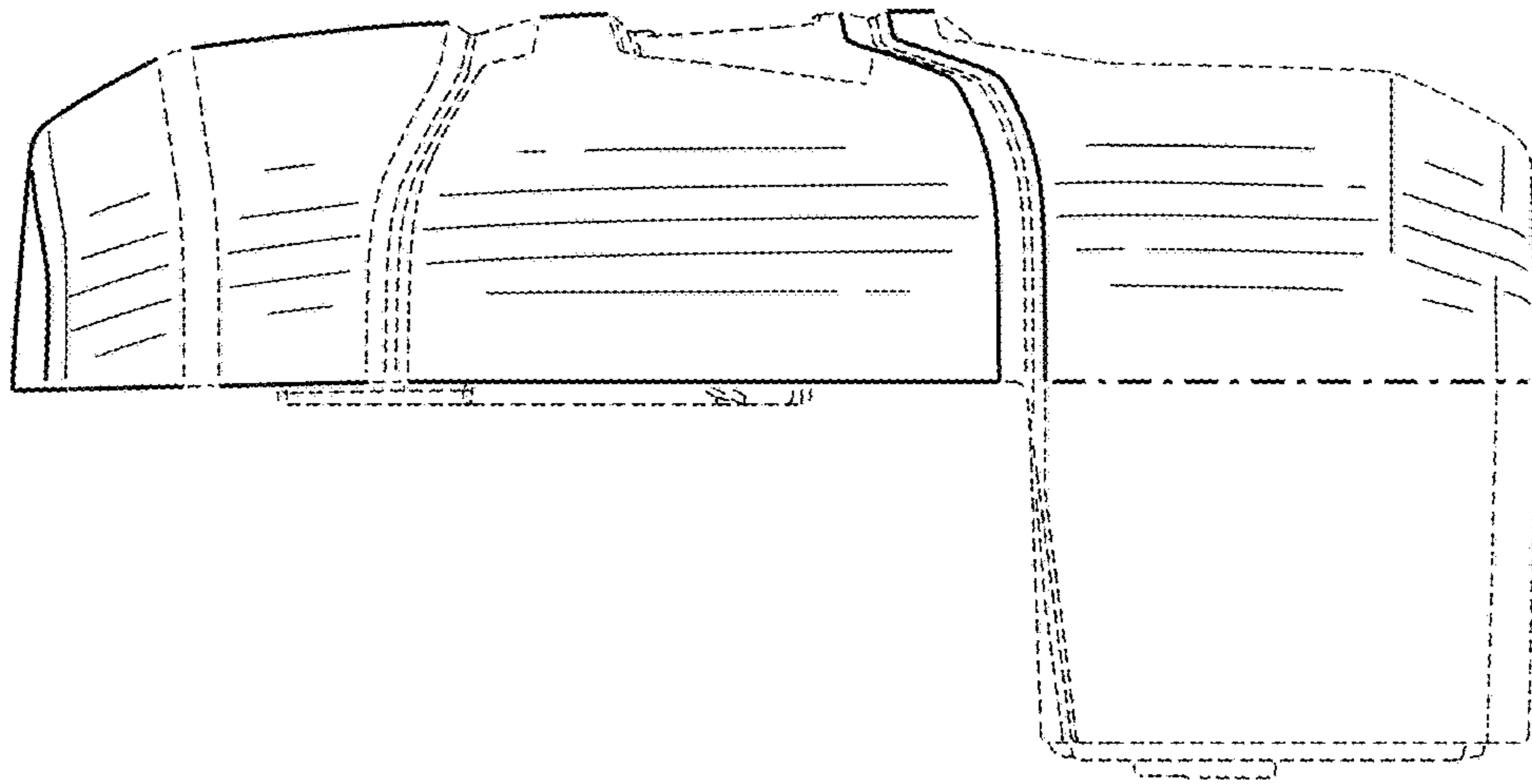


FIG. 5

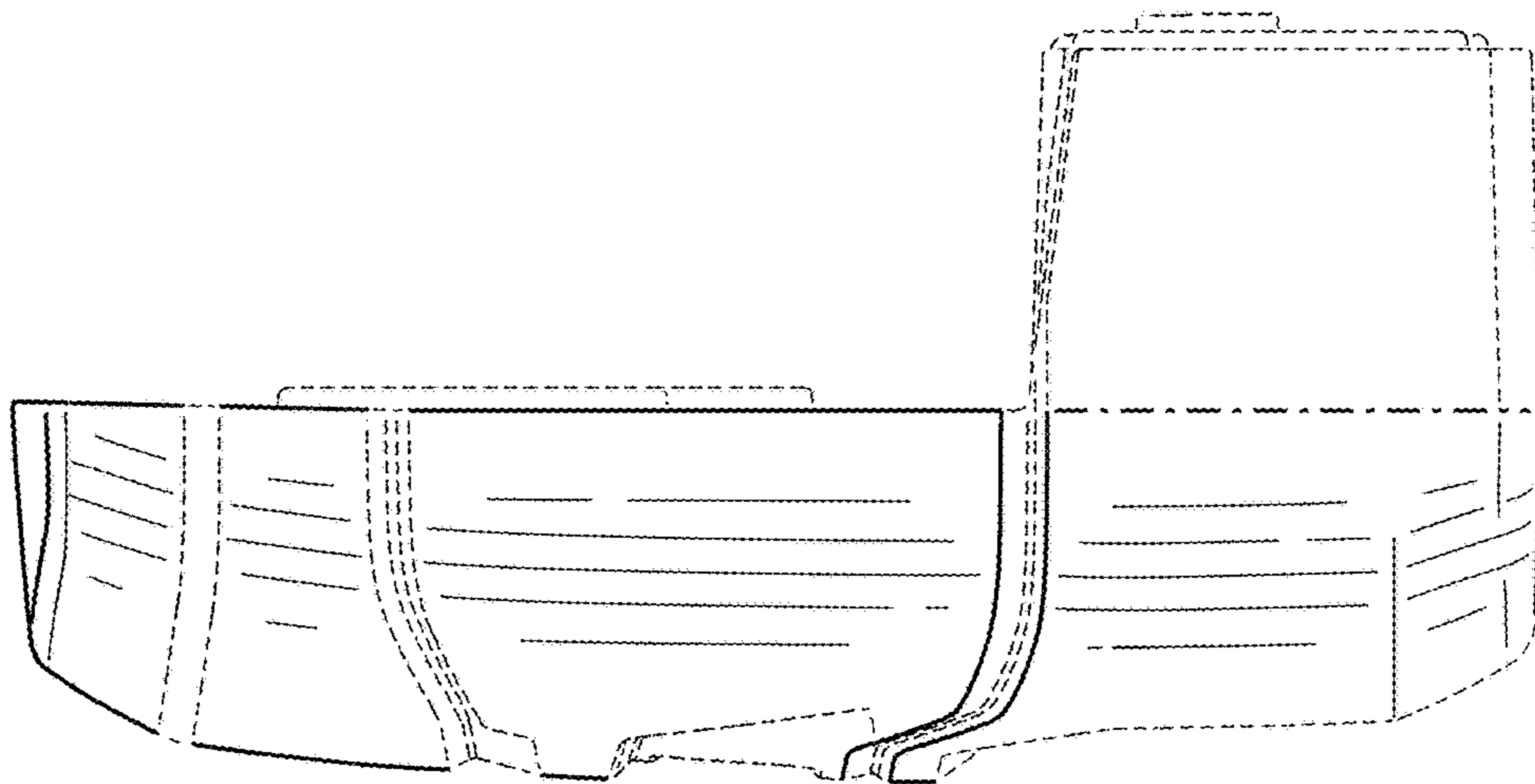


FIG. 4

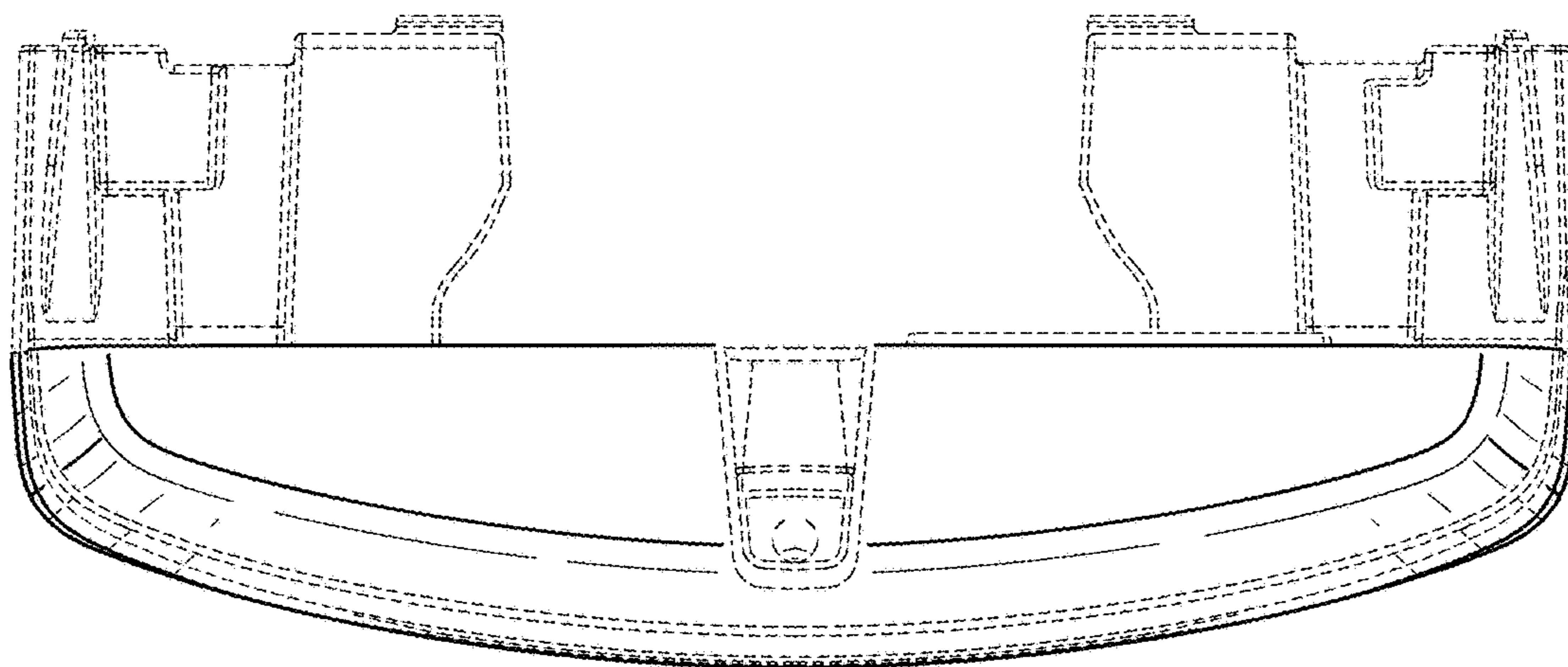


FIG. 6

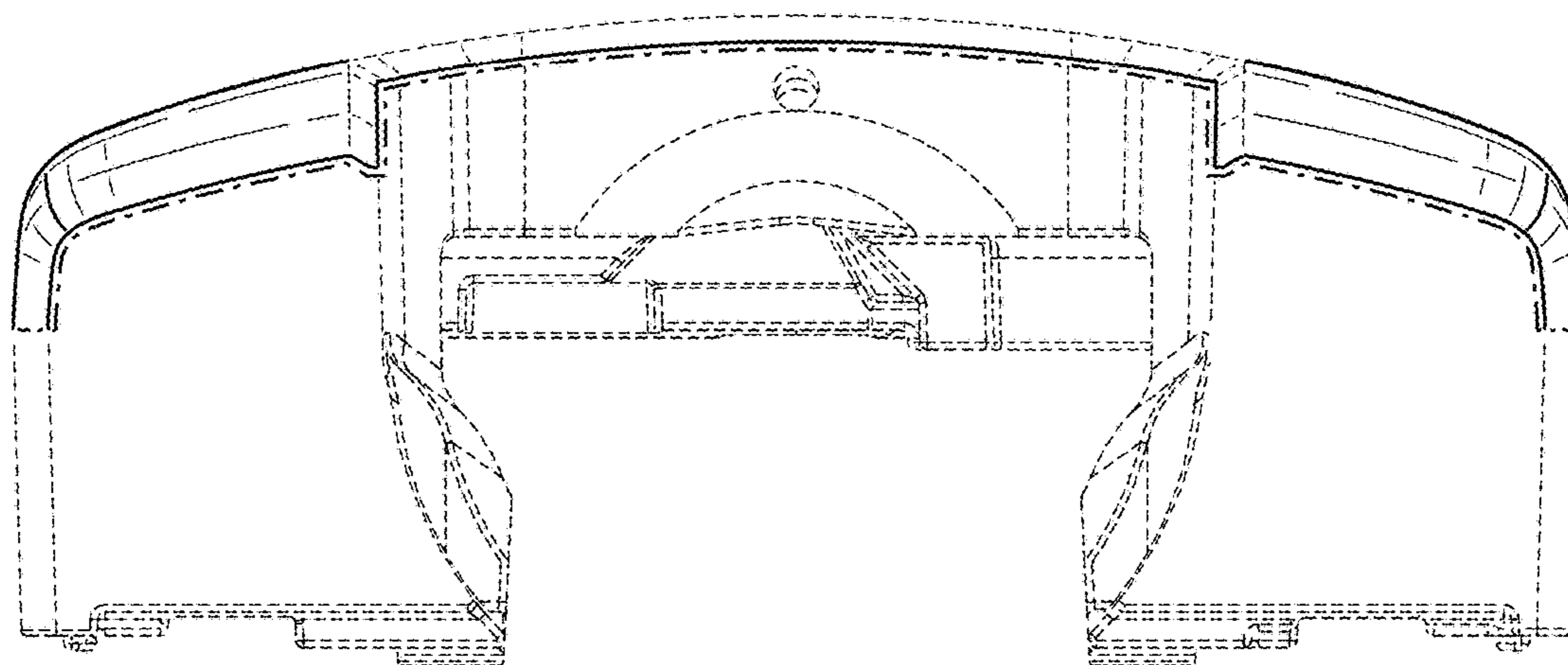


FIG. 7