



US00D813916S

(12) **United States Design Patent**
Okuyama et al.

(10) **Patent No.:** **US D813,916 S**
(45) **Date of Patent:** **** Mar. 27, 2018**

(54) **OPERATION PANEL FOR A WORKING MACHINE**

(71) Applicant: **YANMAR CO., LTD.**, Osaka-shi, Osaka (JP)

(72) Inventors: **Kiyoyuki Okuyama**, Yamagata (JP);
Nozomi Sakaguchi, Chikugo (JP);
Zenzo Uchida, Chikugo (JP);
Masamitsu Uemura, Chikugo (JP);
Masataka Miyoshi, Chikugo (JP)

(73) Assignee: **YANMAR CO., LTD.**, Osaka-Shi, Osaka (JP)

(**) Term: **15 Years**

(21) Appl. No.: **29/595,261**

(22) Filed: **Feb. 27, 2017**

(30) **Foreign Application Priority Data**

Aug. 30, 2016 (JP) D2016-018561

(51) **LOC (11) Cl.** **15-03**

(52) **U.S. Cl.**
USPC **D15/28; D15/17**

(58) **Field of Classification Search**
USPC D15/17, 22-26, 28, 31, 33; D12/419,
D12/192, 421; 180/69.2, 69.21, 69.24,
180/90; 296/70, 30, 72, 191, 192, 193.03
CPC B62D 25/00; B62D 33/0633; B62D 33/00;
B62D 33/06
See application file for complete search history.

(56) **References Cited**

U.S. PATENT DOCUMENTS

D636,410 S * 4/2011 Ono D15/28
D640,293 S * 6/2011 Ono D15/28

D682,892 S * 5/2013 Takagi D15/17
D683,369 S * 5/2013 Takagi D15/17
D683,370 S * 5/2013 Takagi D15/17
D685,006 S * 6/2013 Hagura D15/17
D697,534 S * 1/2014 Uchida D15/17
D745,573 S * 12/2015 Moore D15/17
D760,813 S * 7/2016 Roemer D15/28
D783,686 S * 4/2017 Jilbert D15/28
D792,479 S * 7/2017 Sasaki D15/17

* cited by examiner

Primary Examiner — Mark Goodwin

(74) *Attorney, Agent, or Firm* — Cantor Colburn LLP

(57) **CLAIM**

The ornamental design for an operation panel for a working machine, as shown and described.

DESCRIPTION

FIG. 1 is a perspective view of an operation panel for a working machine showing our new design;
FIG. 2 is a front view thereof;
FIG. 3 is a rear view thereof;
FIG. 4 is a top plan view thereof;
FIG. 5 is a bottom plan view thereof;
FIG. 6 is a left side view thereof;
FIG. 7 is a right side view thereof; and,
FIG. 8 is a reference drawing in the perspective view showing a use state.

The broken lines in the drawings are for the purpose of illustrating portions of the operation panel for a working machine that form no part of the claimed design.

1 Claim, 8 Drawing Sheets

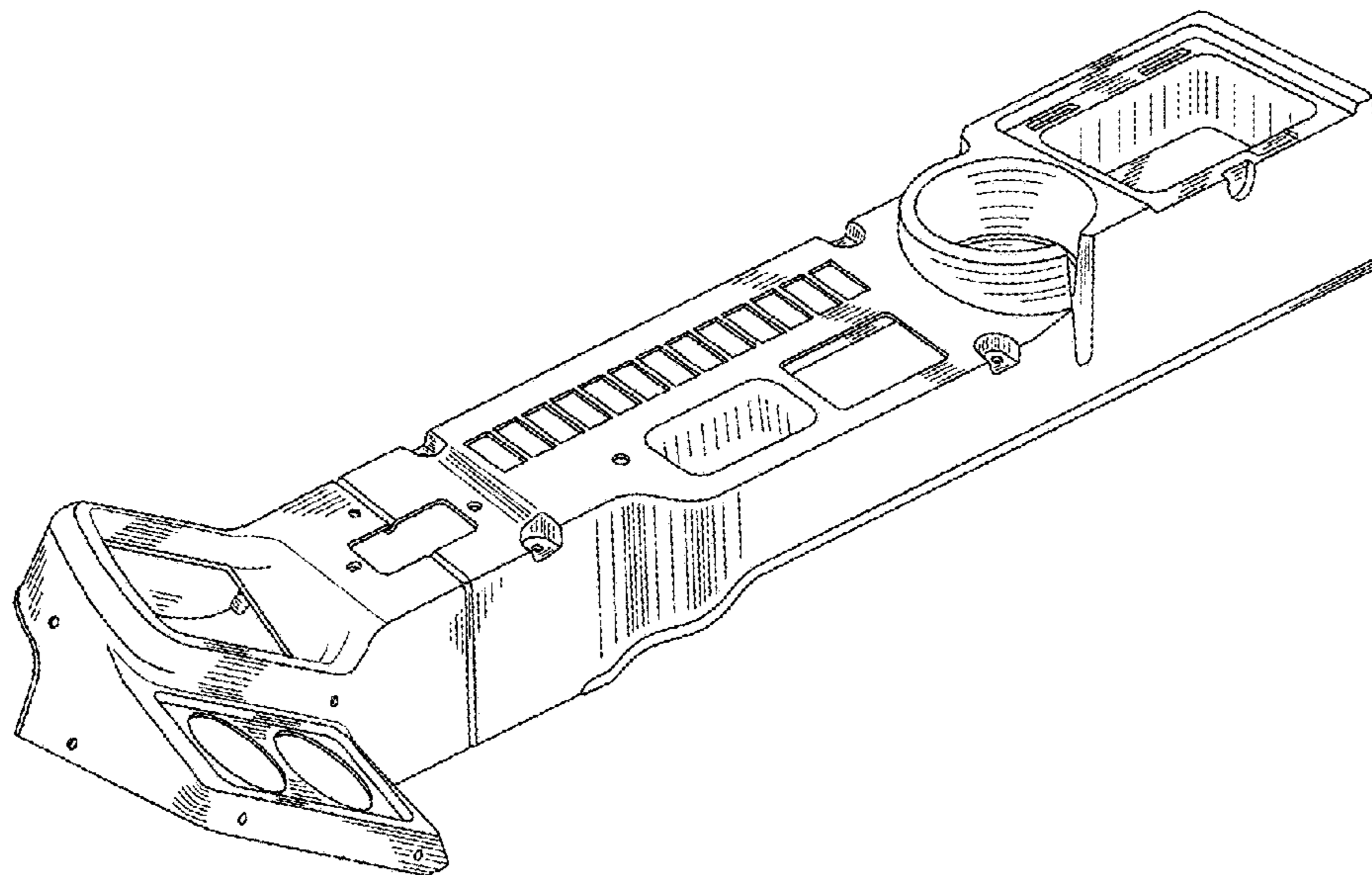


FIG. 1

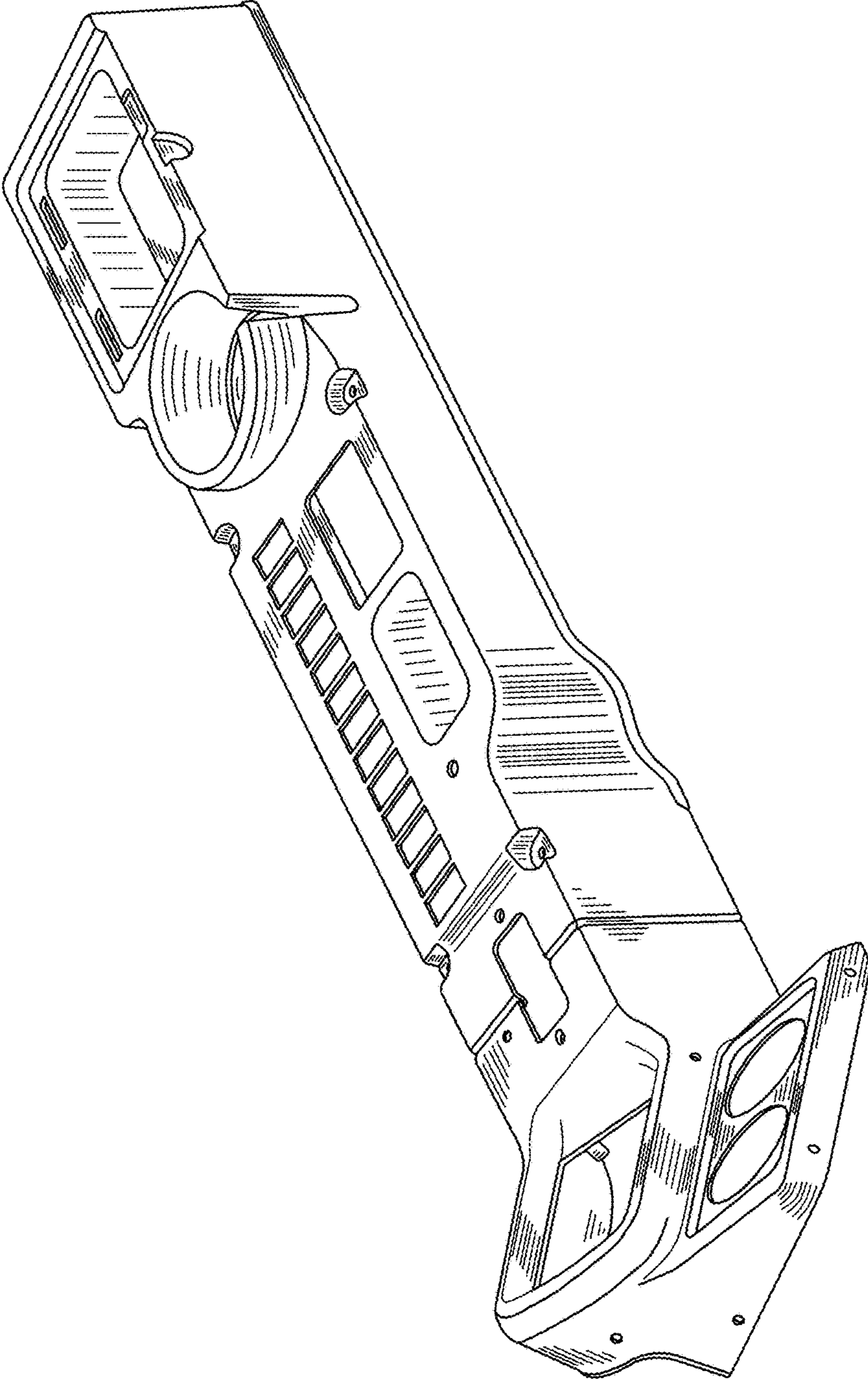


FIG. 2

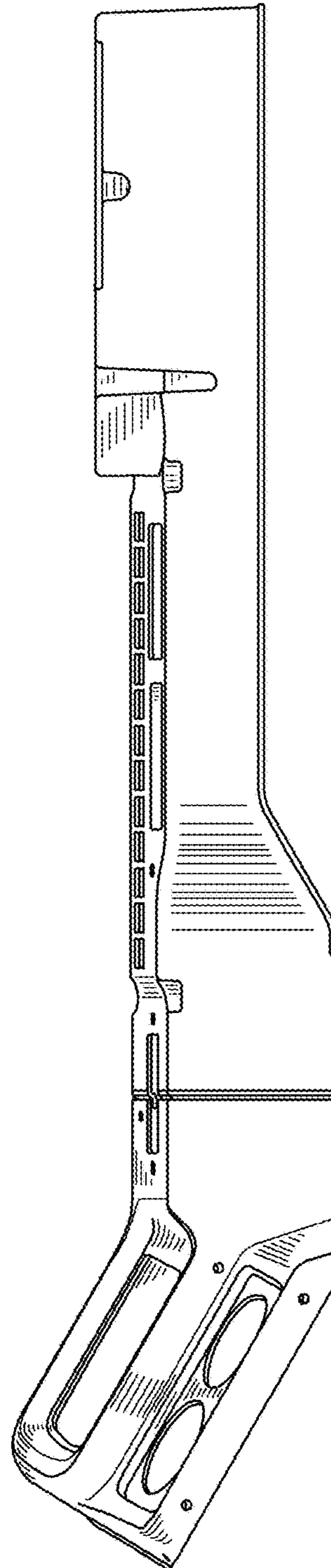


FIG. 3

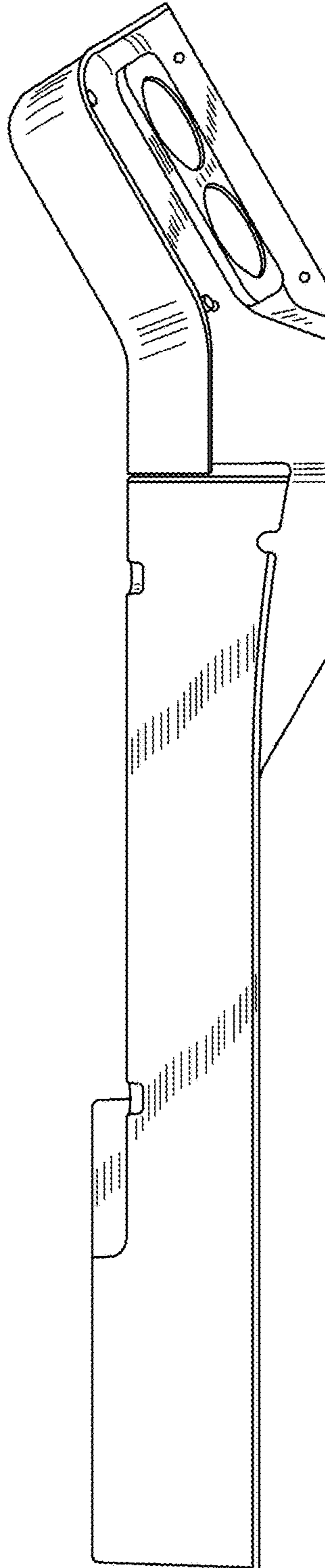


FIG. 4

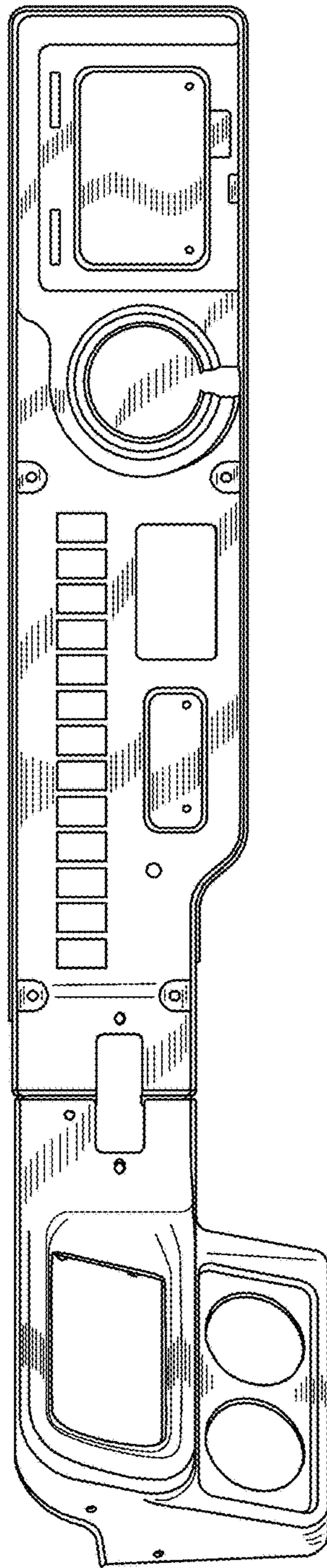


FIG. 5

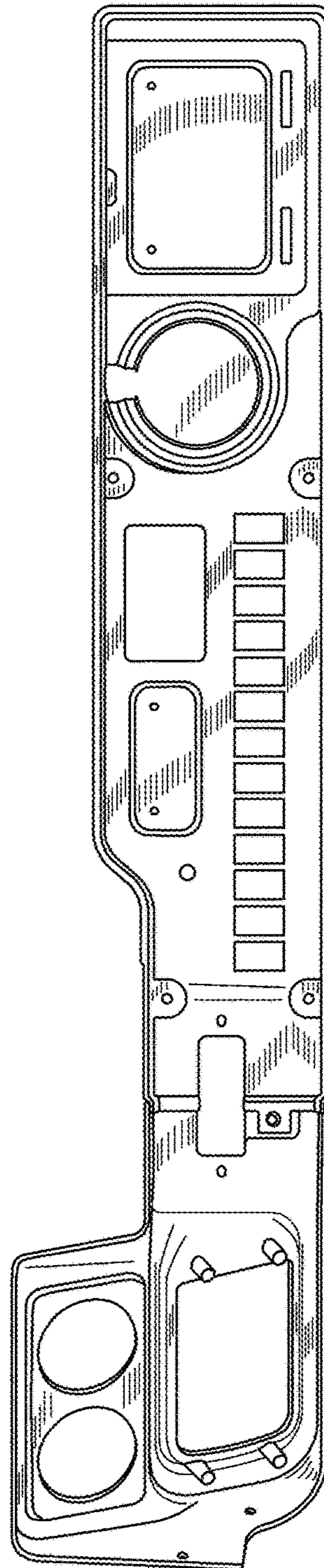


FIG. 6

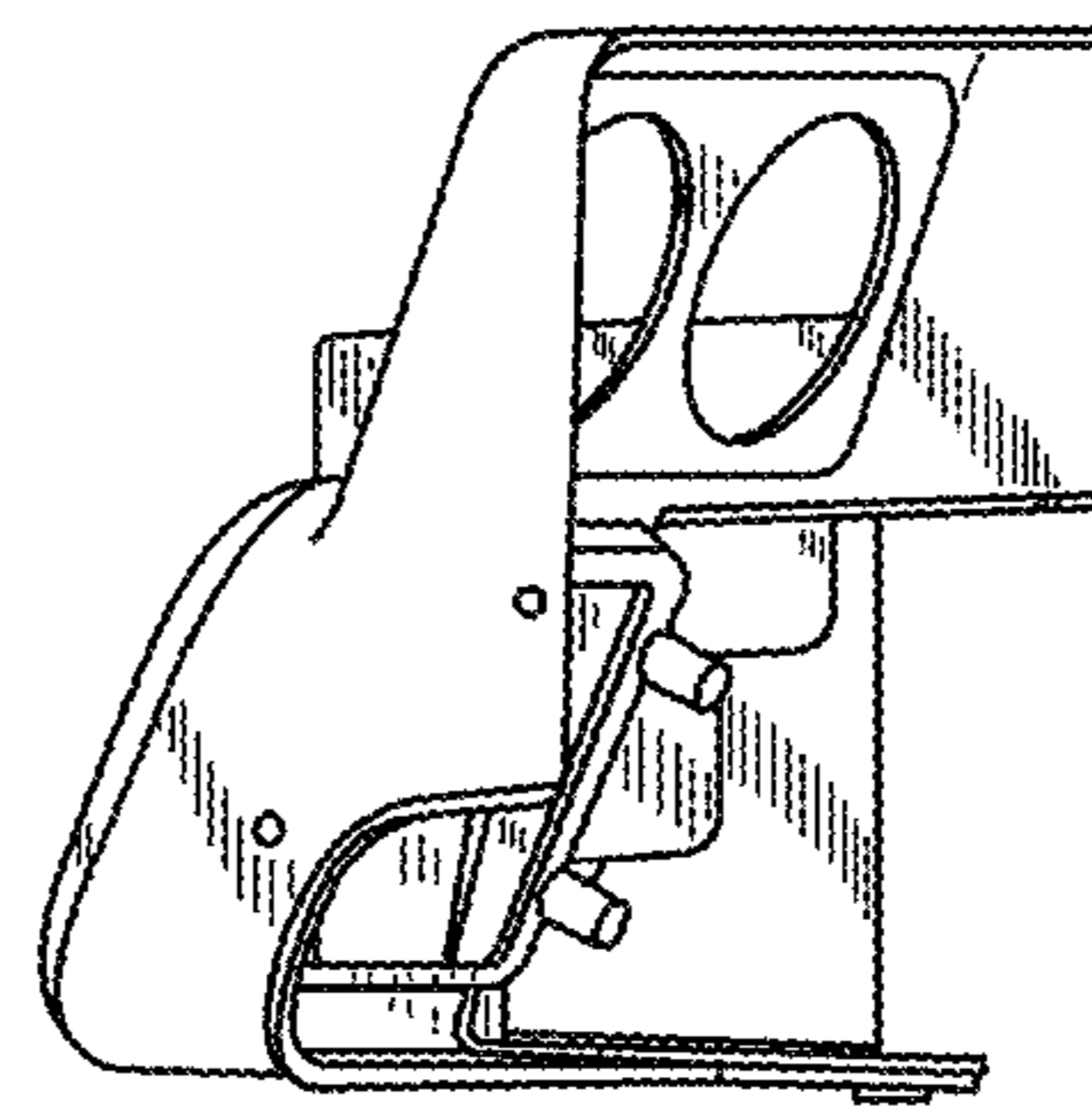


FIG. 7

