



US00D813914S

(12) **United States Design Patent**
Horsch

(10) **Patent No.:** **US D813,914 S**
(45) **Date of Patent:** **** Mar. 27, 2018**

(54) **AGRICULTURAL MACHINE**

(71) Applicant: **Horsch Maschinen GmbH**,
Schwandorf (DE)

(72) Inventor: **Philipp Horsch**, Ettmannsdorf (DE)

(73) Assignee: **HORSCH MASCHINEN GMBH**,
Schwandorf (DE)

(**) Term: **15 Years**

(21) Appl. No.: **29/603,218**

(22) Filed: **May 8, 2017**

(30) **Foreign Application Priority Data**

Nov. 8, 2016 (EM) 003453844-0001
Nov. 8, 2016 (EM) 003453844-0002

(51) **LOC (11) Cl.** **15-03**

(52) **U.S. Cl.**
USPC **D15/27**

(58) **Field of Classification Search**

USPC D15/10, 12, 27, 28; 56/15.8, 15.9;
172/311, 210, 466, 484, 456, 481, 605,
172/626, 776, 507; 280/411.1, 412, 413,
280/415 A, 415 R, 482, 656
CPC A01B 73/065; A01B 73/005; A01B 73/00;
A01B 73/02; A01B 73/04; A01B 73/06;
A01B 49/06; A01B 49/00; A01B 61/044;
A01B 61/048; A01B 5/04; A01B 49/027;
A01B 73/046; A01B 73/048; A01B
63/002; A01B 63/14; A01B 63/32; A01B
63/118; A01C 7/208; A01C 7/18; A01C
7/00; A01C

(Continued)

(56) **References Cited**

U.S. PATENT DOCUMENTS

5,232,054 A * 8/1993 Van Blaricon A01B 73/065
172/311
D469,782 S * 2/2003 Paluch D15/10

(Continued)

Primary Examiner — Mark Goodwin

(74) *Attorney, Agent, or Firm* — Erickson Kernell IP,
LLC

(57) **CLAIM**

The ornamental design for an agricultural machine, as
shown and described.

DESCRIPTION

FIG. 1 is a perspective view of an agricultural machine with
tool support wings, each in an unfolded position;

FIG. 2 is a left side elevational view of the agricultural
machine as in FIG. 1;

FIG. 3 is a right side elevational view of the agricultural
machine as in FIG. 1;

FIG. 4 is a front elevational view of the agricultural machine
as in FIG. 1;

FIG. 5 is a rear elevational view of the agricultural machine
as in FIG. 1;

FIG. 6 is a top plan view of the agricultural machine as in
FIG. 1;

FIG. 7 is a bottom plan view of the agricultural machine as
in FIG. 1;

FIG. 8 is a perspective view of the agricultural machine, as
in FIG. 1, with the tool support wings each in a folded
position and with a ladder, support platform and rails
removed;

FIG. 9 is a left side elevational view of the agricultural
machine as in FIG. 8;

FIG. 10 is a right side elevational view of the agricultural
machine as in FIG. 8;

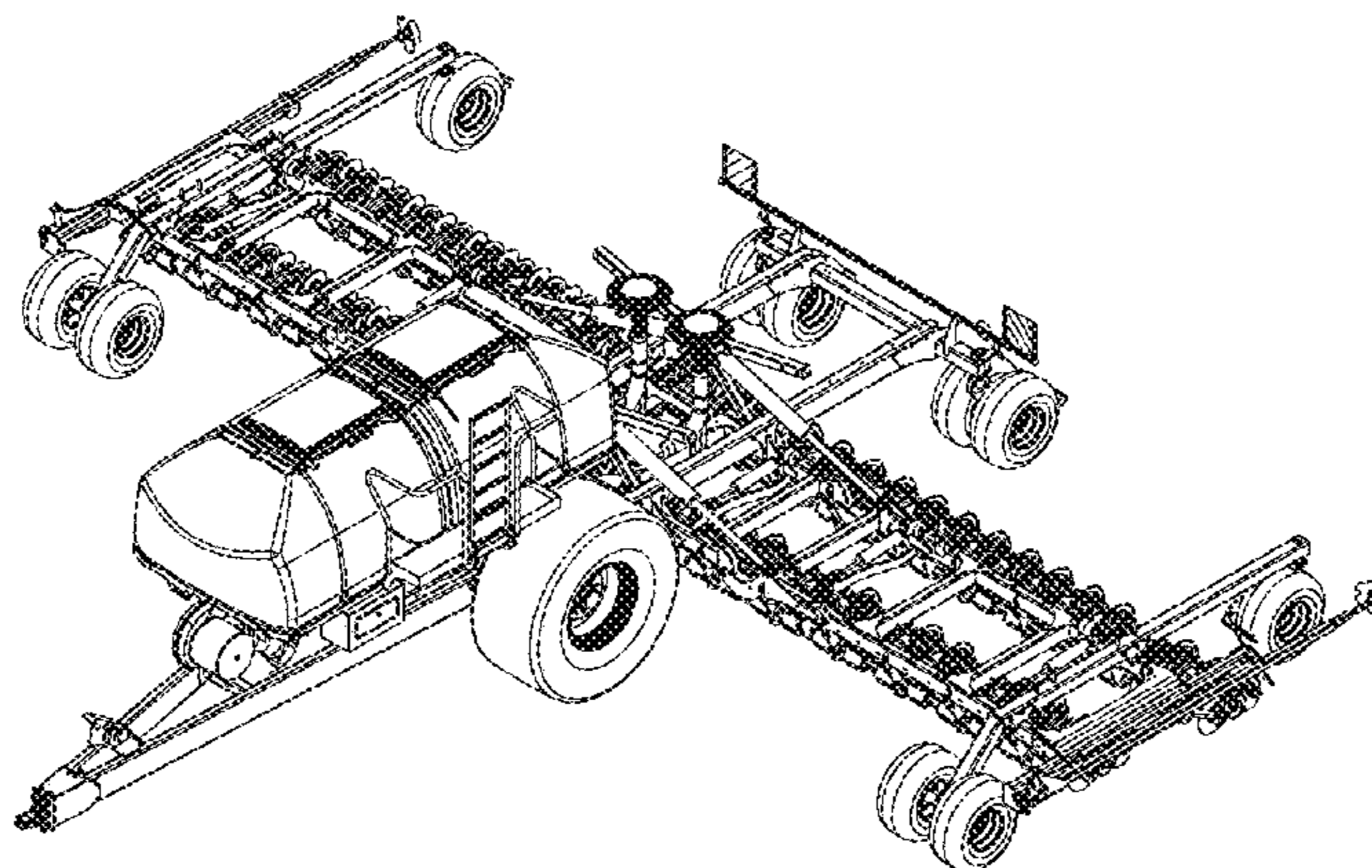
FIG. 11 is a front plan view of the agricultural machine as
in FIG. 8;

FIG. 12 is a rear elevational view of the agricultural machine
as in FIG. 8;

FIG. 13 is a top plan view of the agricultural machine as in
FIG. 8; and,

FIG. 14 is a bottom plan view of the agricultural machine as
in FIG. 8.

1 Claim, 14 Drawing Sheets



US D813,914 S

Page 2

(58) **Field of Classification Search**

CPC . 7/20; A01C 7/06; A01C 5/064; A01C 5/068;
A01C 7/203; A01C 7/205; A01C 7/206;
Y10S 111/921; Y10S 111/923; Y10S
111/924; Y10S 111/925

See application file for complete search history.

(56) **References Cited**

U.S. PATENT DOCUMENTS

6,935,254 B2 * 8/2005 Ostrander A01B 73/065
111/174
D559,868 S * 1/2008 Nanlawala D15/10
D627,373 S * 11/2010 Prickel D15/10
D628,214 S * 11/2010 Knobloch D15/27
D628,600 S * 12/2010 Hicks D15/27
D629,426 S * 12/2010 Prickel D15/10
D629,427 S * 12/2010 Prickel D15/10
D631,068 S * 1/2011 Prickel D15/10
D635,590 S * 4/2011 Kovach D15/11
D646,699 S * 10/2011 Knobloch D15/27
D667,847 S * 9/2012 Kovach A01B 49/02
D15/11
D668,687 S * 10/2012 Kromminga D15/11
D680,559 S * 4/2013 Blunier D15/10

D748,678 S * 2/2016 Kelly D15/27
D758,458 S * 6/2016 Anderson D15/10
D760,299 S * 6/2016 Achten D15/11
D766,333 S * 9/2016 Anderson D15/27
2003/0164126 A1 * 9/2003 Paluch A01C 7/06
111/57
2003/0164127 A1 * 9/2003 Paluch A01B 61/044
111/200
2009/0178600 A1 * 7/2009 Horn A01C 15/006
111/52
2009/0199750 A1 * 8/2009 Rice A01C 19/04
111/52
2009/0229501 A1 * 9/2009 Jaime A01B 73/065
111/55
2010/0126742 A1 * 5/2010 Poole A01B 73/065
172/311
2010/0126743 A1 * 5/2010 Poole A01B 73/065
172/311
2010/0126744 A1 * 5/2010 Poole A01B 73/065
172/311
2017/0079197 A1 * 3/2017 Steinlage A01B 73/044
2017/0105332 A1 * 4/2017 Sudbrink A01B 73/046
2017/0112046 A1 * 4/2017 Sudbrink A01B 73/02
2017/0172051 A1 * 6/2017 Sudbrink A01B 63/32

* cited by examiner

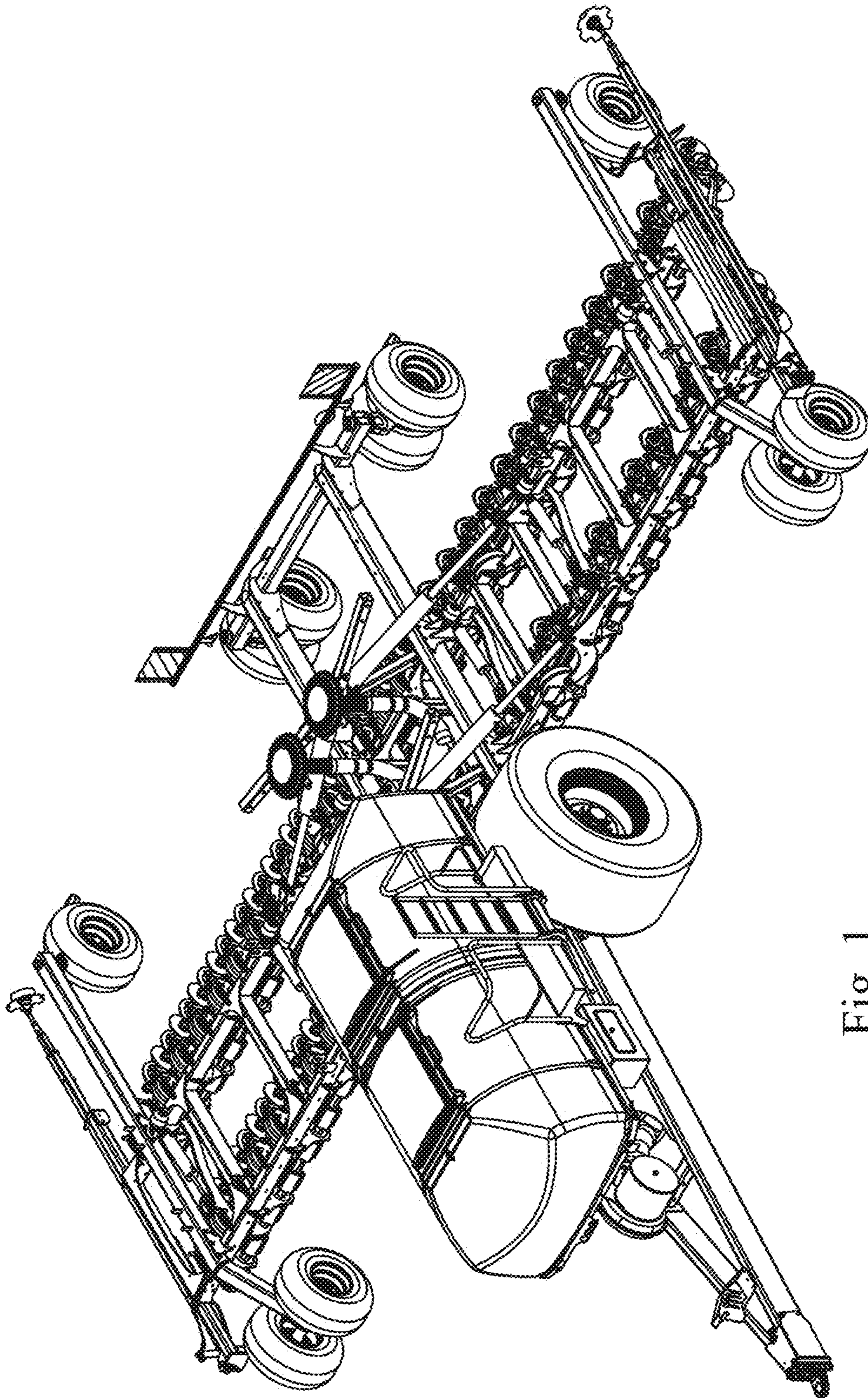


Fig. 1

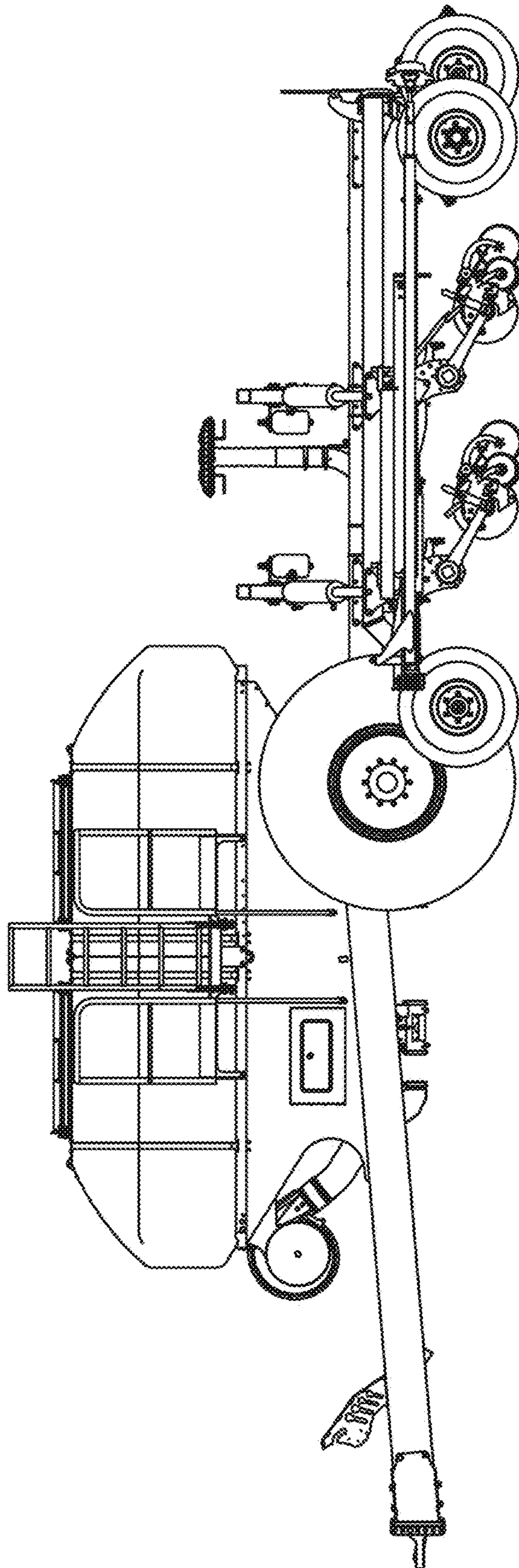


Fig. 2

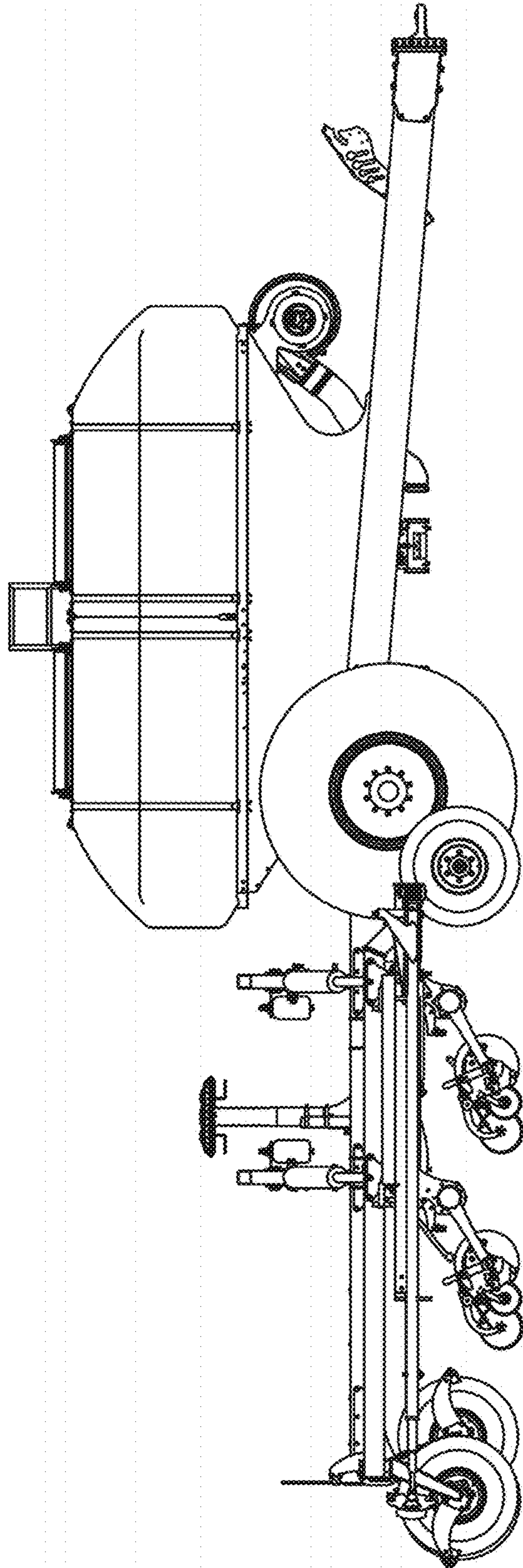


Fig. 3

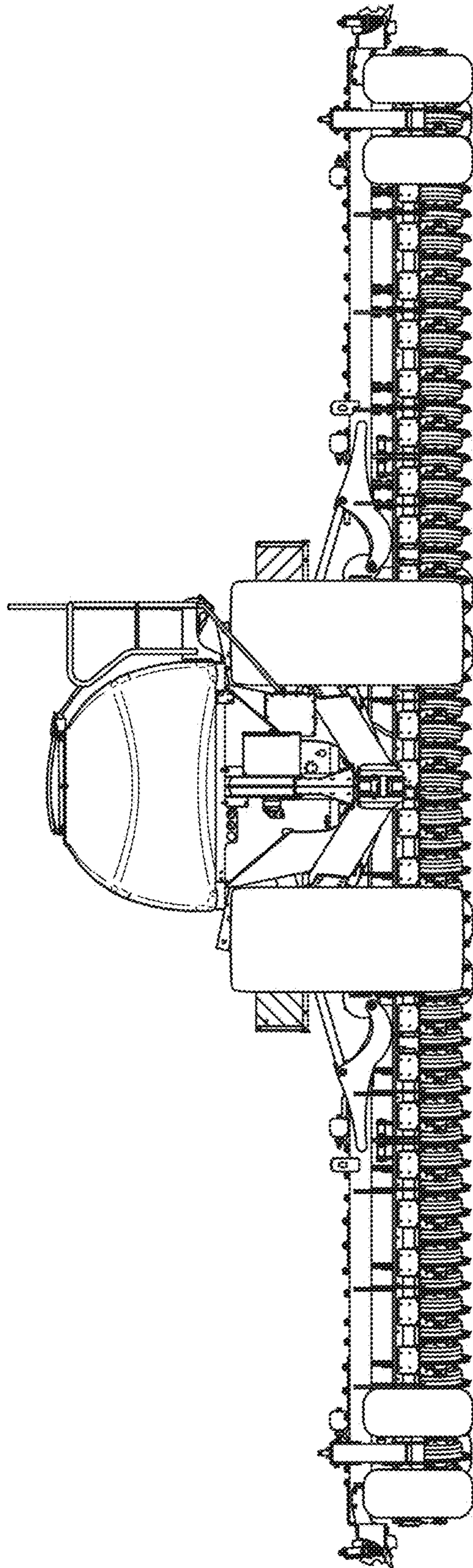


Fig. 4

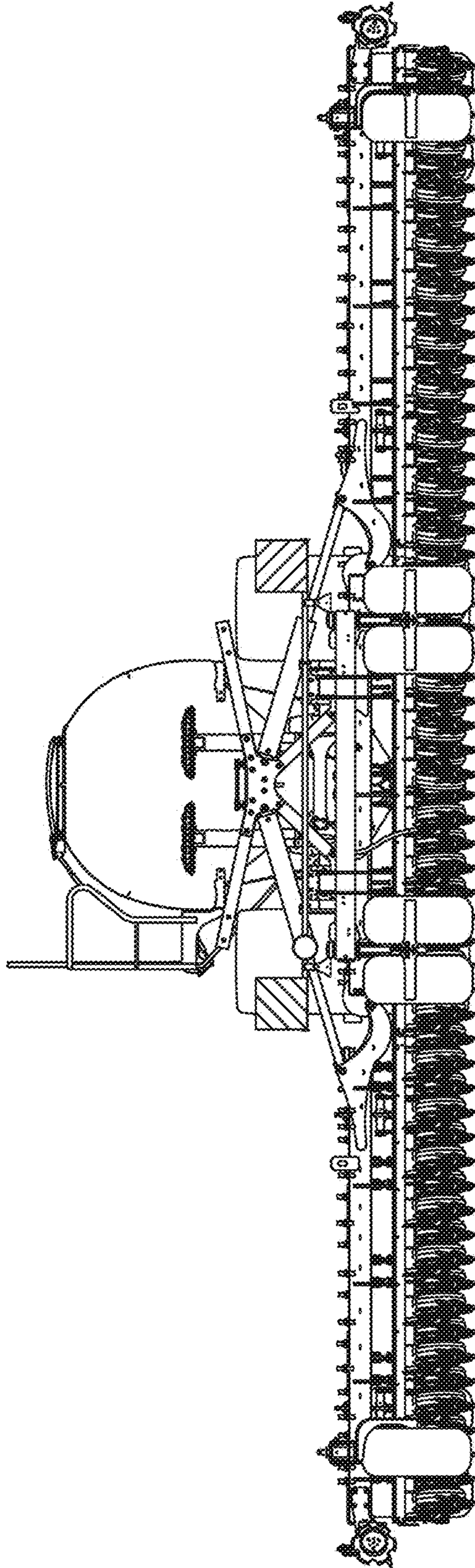


Fig. 5

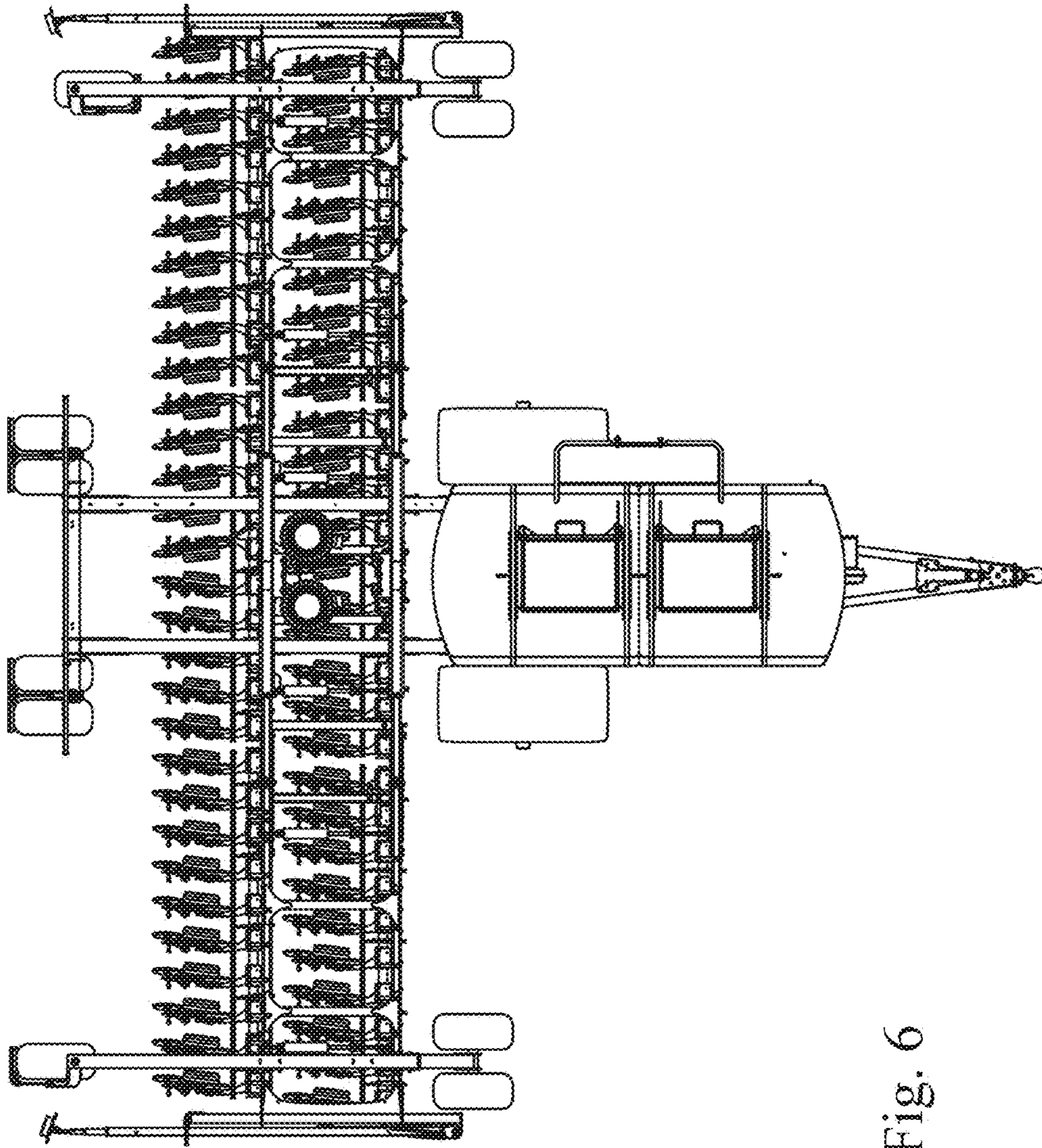


Fig. 6

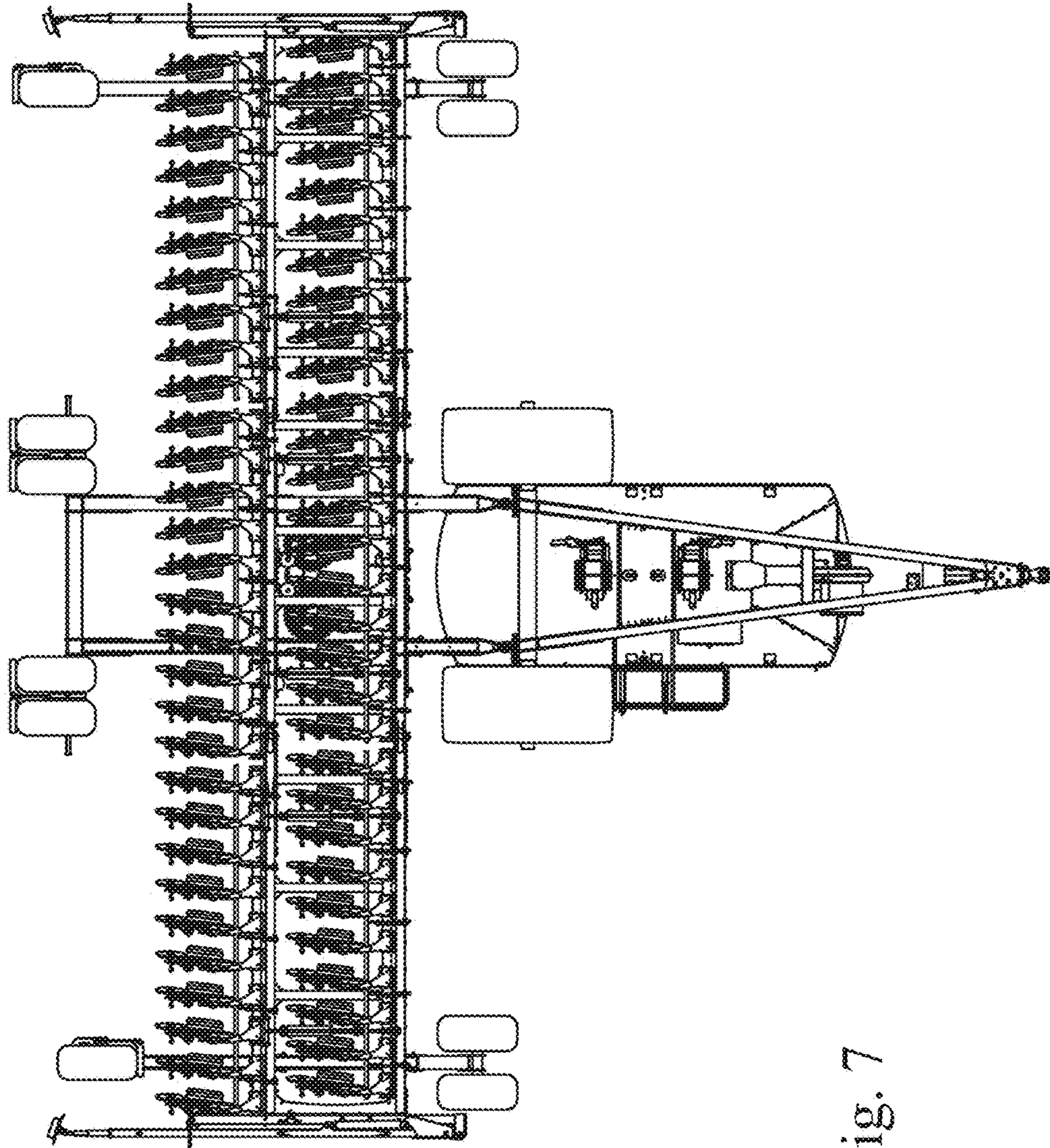


Fig. 7

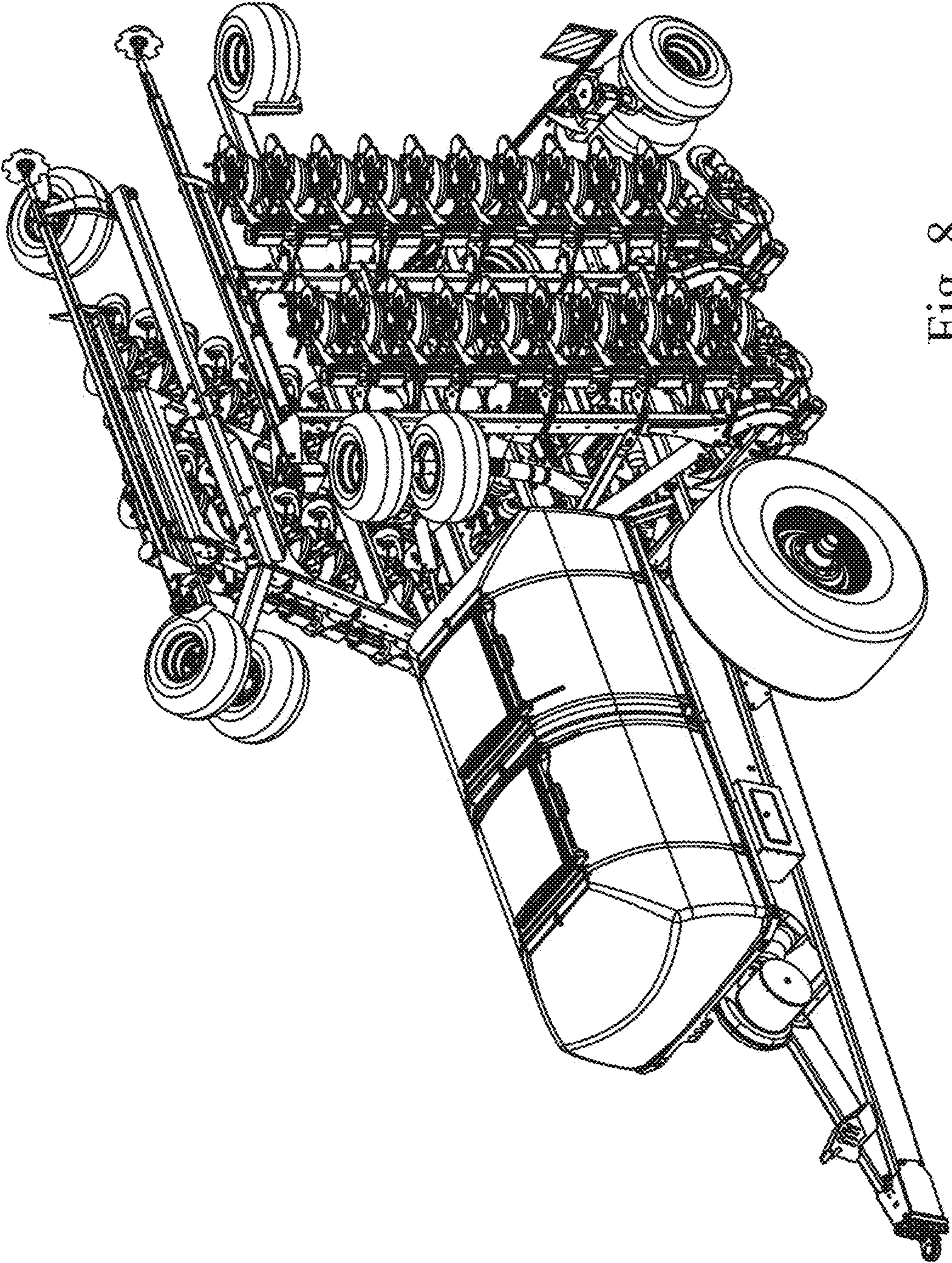


Fig. 8

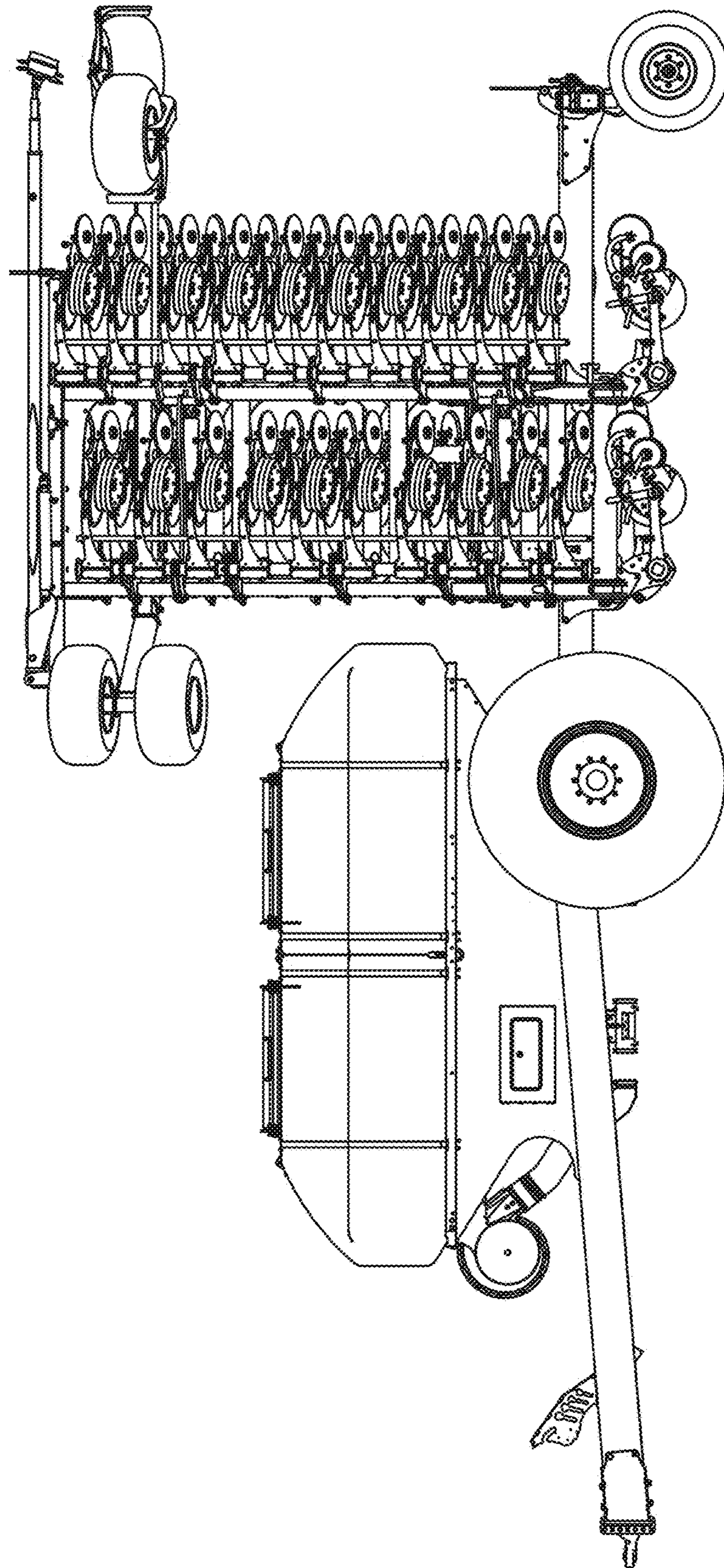


Fig. 9

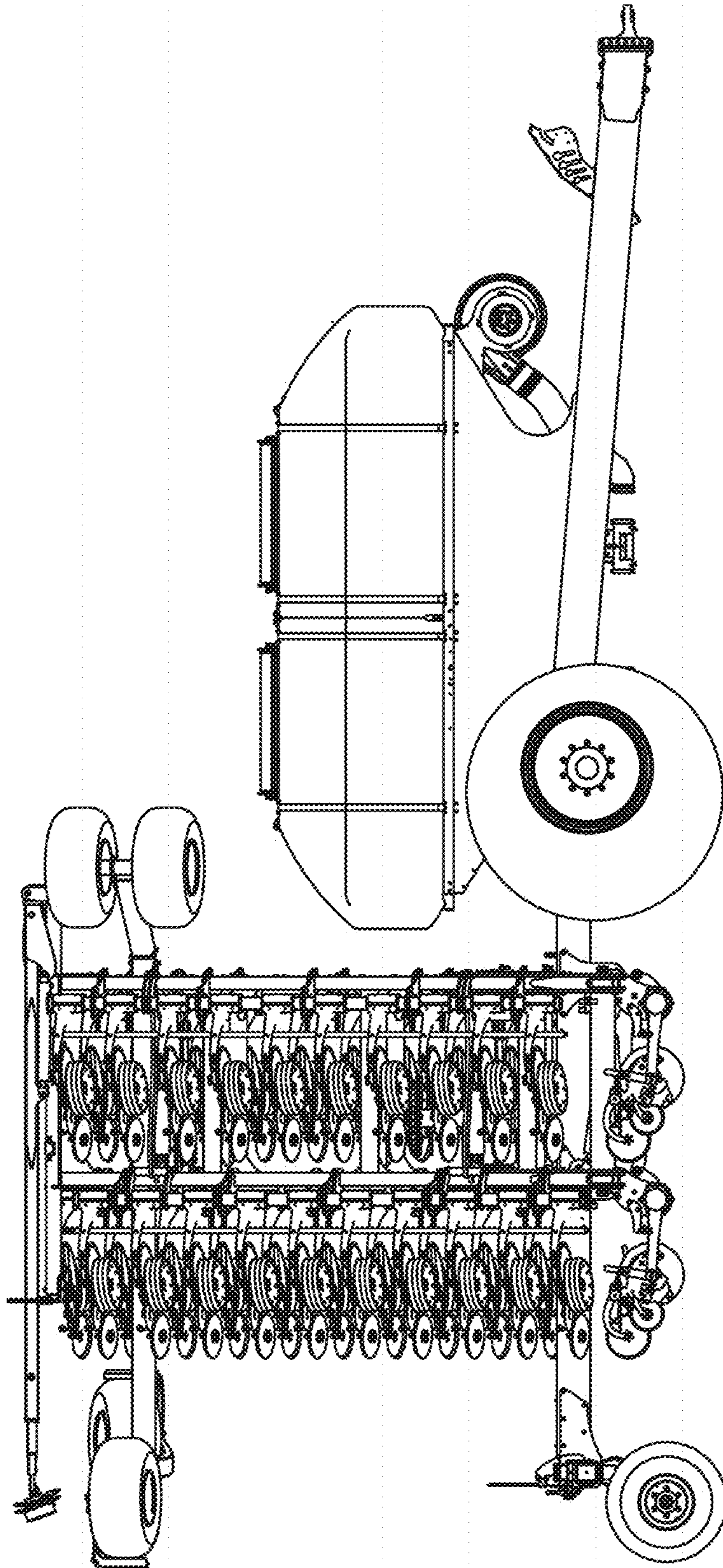


Fig. 10

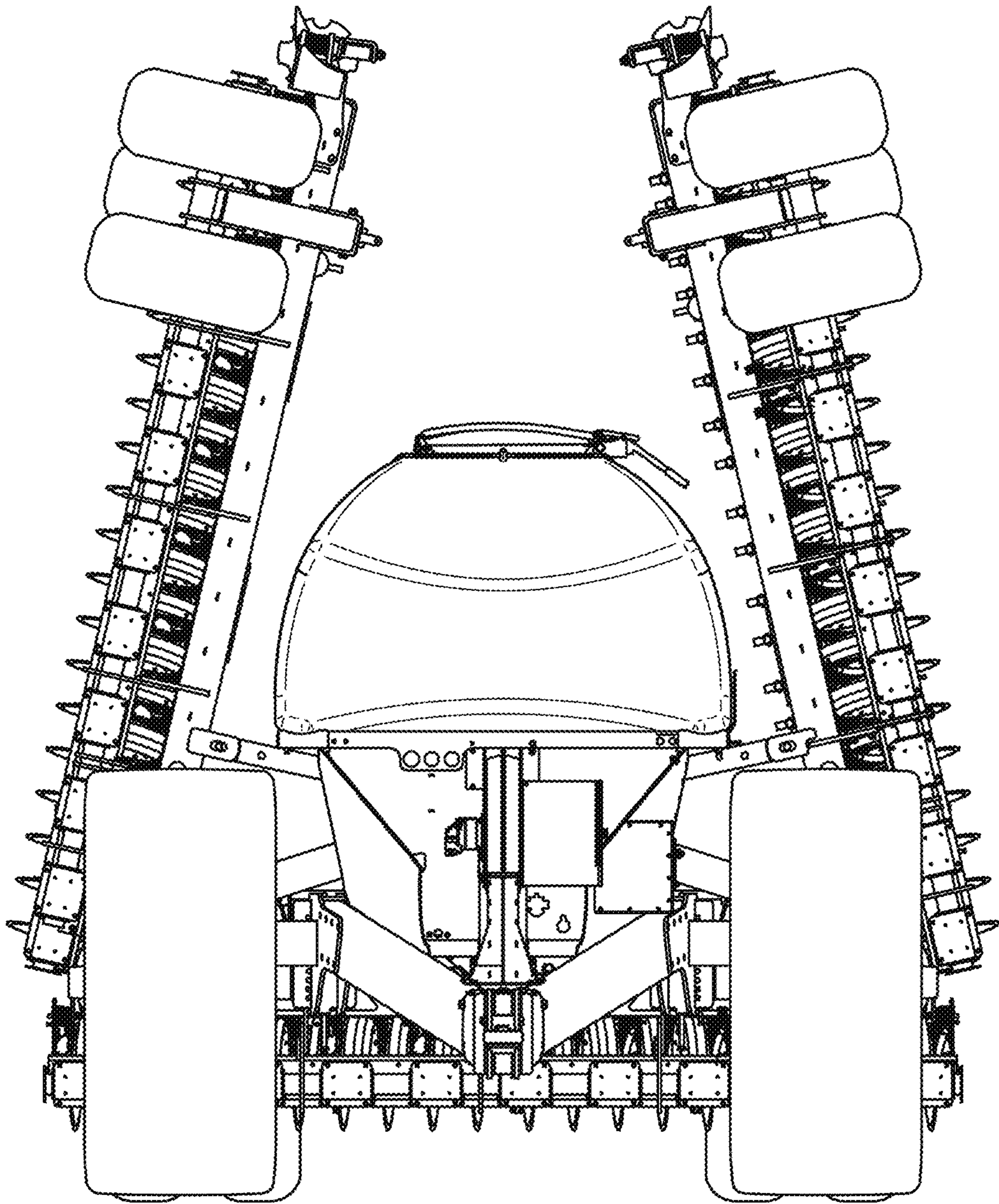


Fig. 11

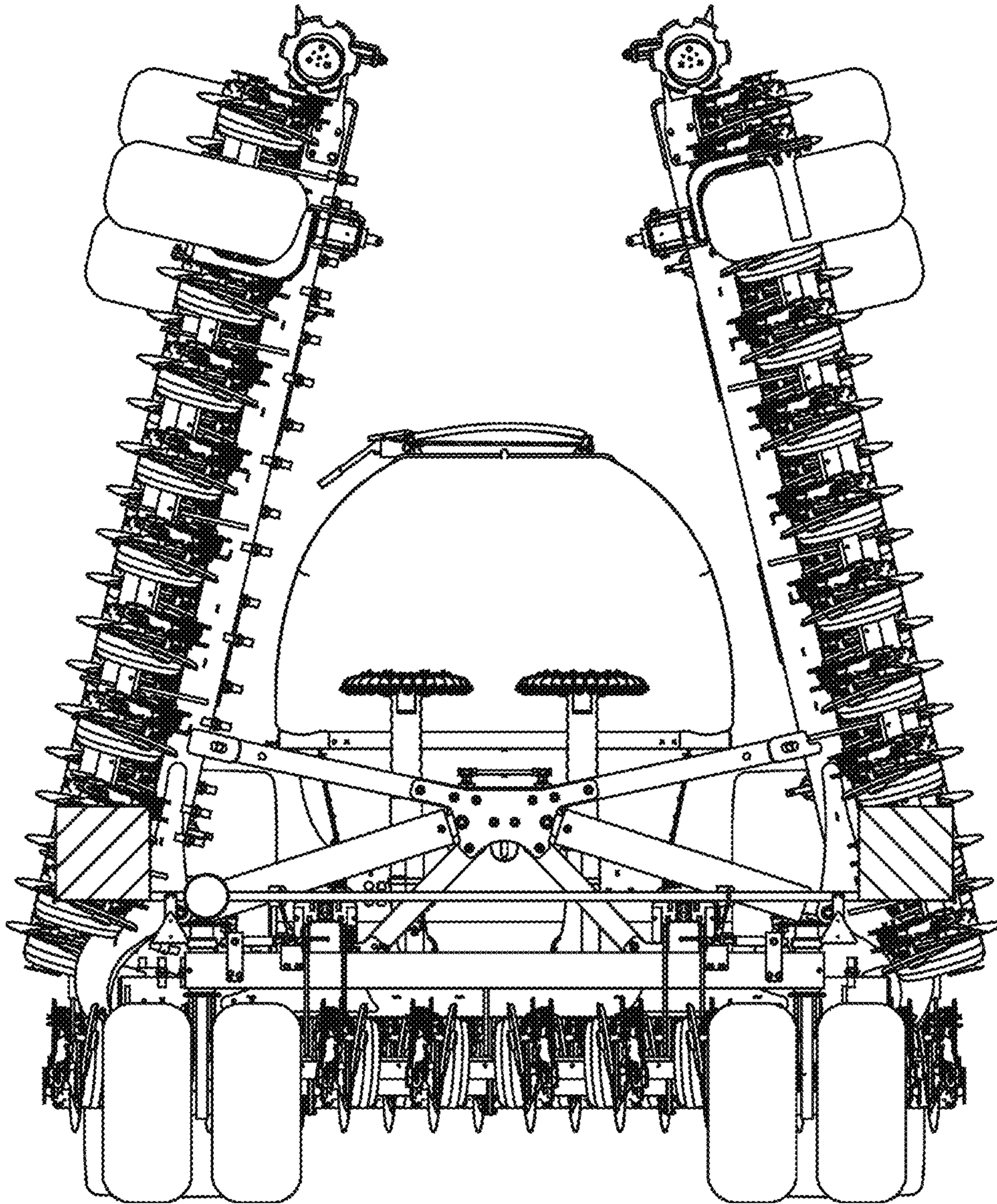


Fig. 12

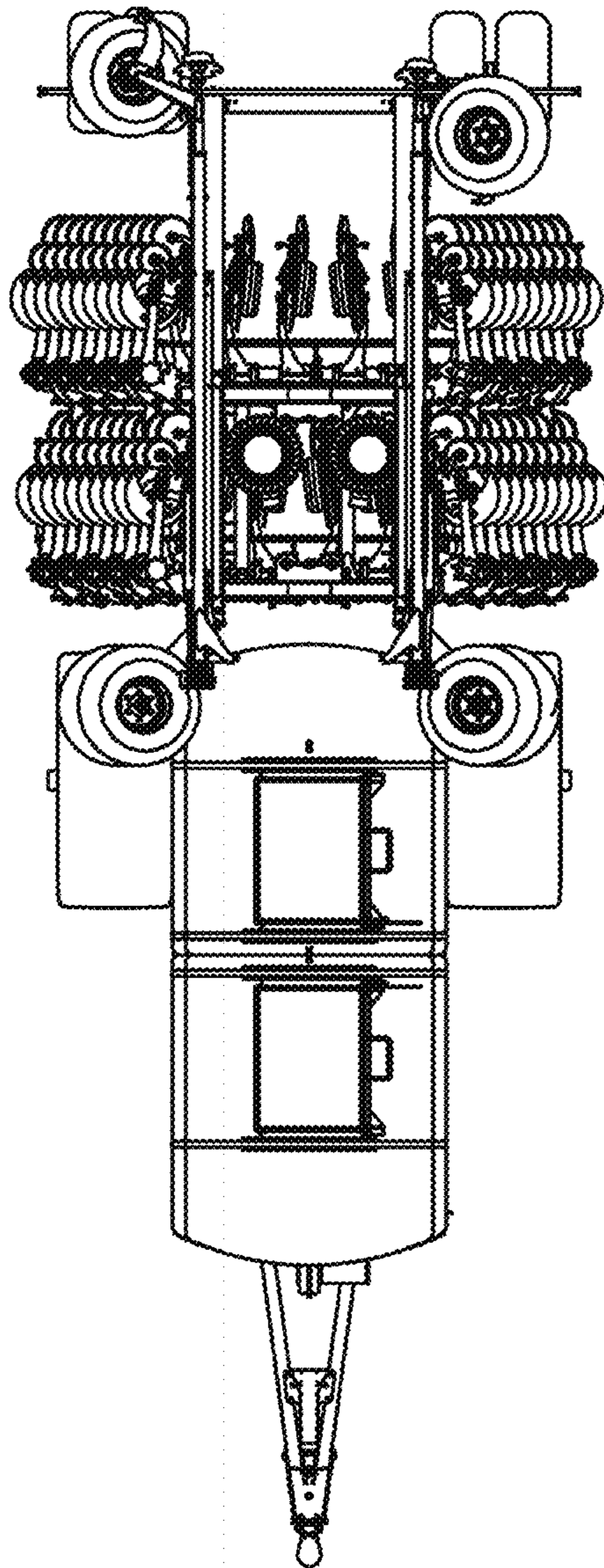


Fig. 13

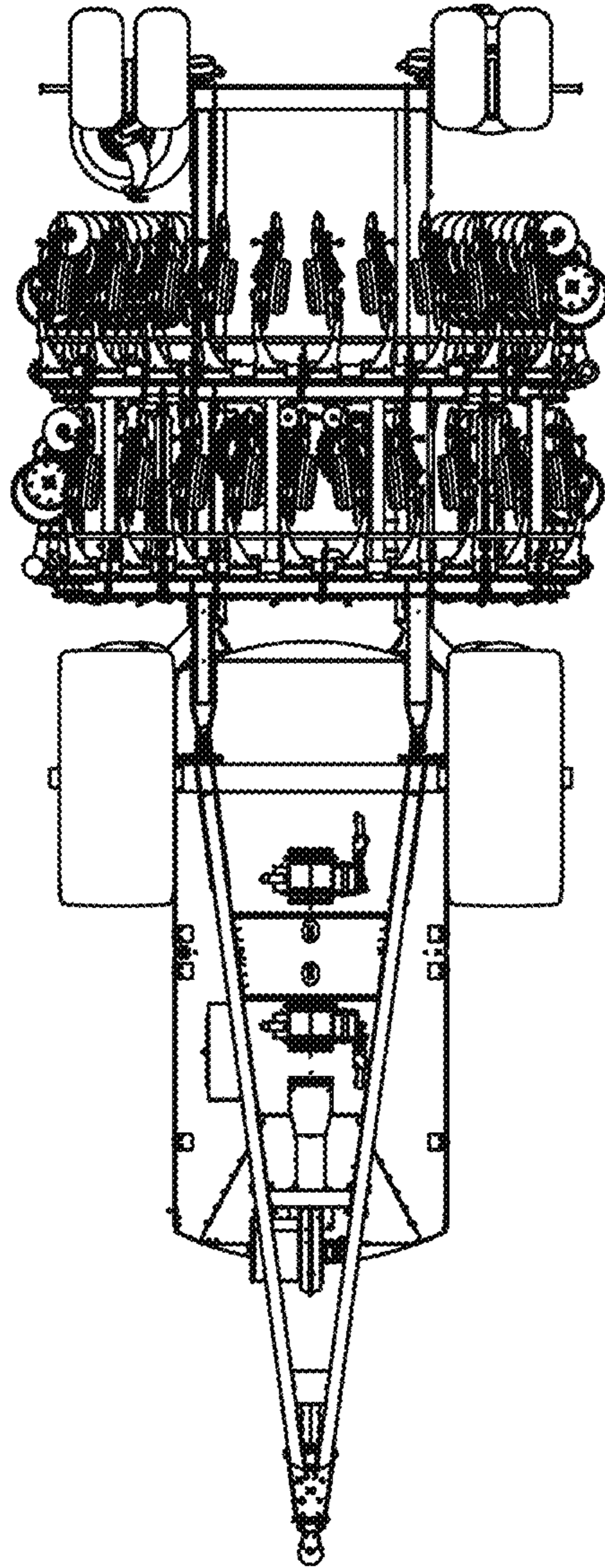


Fig. 14