



US00D813911S

(12) **United States Design Patent** (10) **Patent No.:** **US D813,911 S**
Lüke (45) **Date of Patent:** **** Mar. 27, 2018**

(54) **PUMP**

(56) **References Cited**

(71) Applicant: **OASE GmbH**, Hörstel-Riesenbeck (DE)

U.S. PATENT DOCUMENTS

(72) Inventor: **Wilfried Lüke**, Schloß Holte-Stukenbrock (DE)

D263,839 S *	4/1982	Somme	D15/7
D305,124 S *	12/1989	Singhoff	D15/7
D405,806 S *	2/1999	Poon	D15/7
D435,049 S *	12/2000	Tsai	D15/7
D450,327 S *	11/2001	Mori	D15/7
D486,159 S *	2/2004	Poon	D15/7
D497,916 S *	11/2004	Tsai	D15/7
D589,983 S *	4/2009	Sinico	D15/7
D603,870 S *	11/2009	Mehnert	D15/7
D623,665 S *	9/2010	Hunnekuhl	D15/7
D698,367 S *	1/2014	Rees	D15/7

(73) Assignee: **OASE GmbH**, Hörstel-Riesenbeck (DE)

(**) Term: **15 Years**

* cited by examiner

(21) Appl. No.: **29/563,469**

Primary Examiner — Raif Seifert

(22) Filed: **May 5, 2016**

(74) *Attorney, Agent, or Firm* — Gudrun E. Huckett

(30) **Foreign Application Priority Data**

(57) **CLAIM**

Nov. 5, 2015 (EM) 002848135-0001

The ornamental design for a pump, as shown and described.

(51) **LOC (11) Cl.** **15-02**

DESCRIPTION

(52) **U.S. Cl.**
USPC **D15/7**

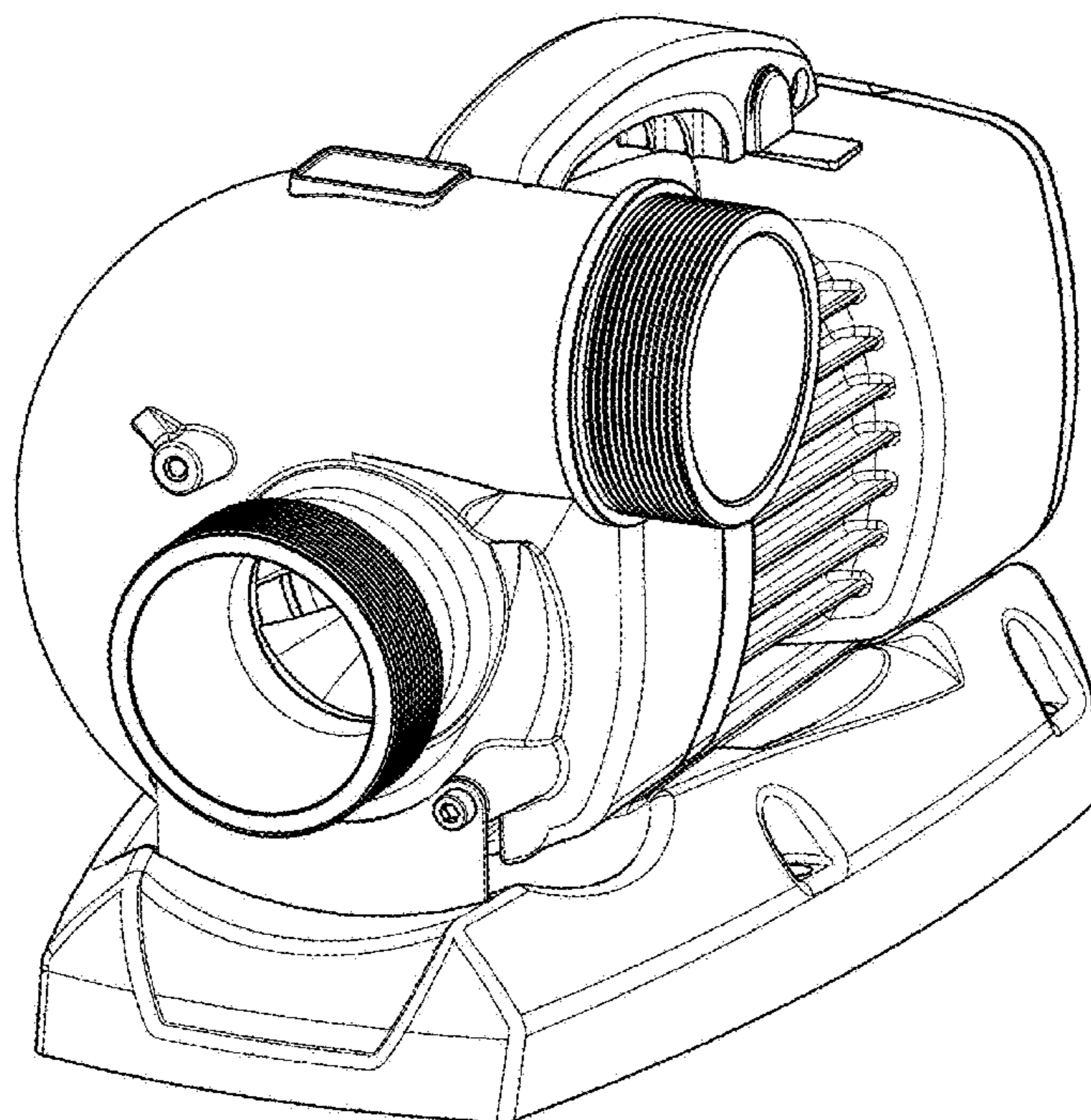
FIG. 1 is a perspective front view of a pump showing my new design;
 FIG. 2 is a top plan view thereof;
 FIG. 3 is a bottom plan view thereof;
 FIG. 4 is a front elevational view thereof;
 FIG. 5 is a rear elevational view thereof;
 FIG. 6 is a left elevational view thereof; and,
 FIG. 7 is a right elevational view thereof.

(58) **Field of Classification Search**
 USPC D15/7-9; D23/231, 232, 225; 417/60, 417/235, 265, 321, 355, 358, 363, 359, 417/410.1, 415-416, 405, 900, 269, 539; 60/408, 412; 184/26-37; 415/140-147; 123/495, 509; 137/565.34
 CPC F02M 37/04; F02M 37/14; F04B 53/92; F04B 1/005

The broken lines are included for the purpose of illustrating portions of the pump that form no part of the claimed design.

See application file for complete search history.

1 Claim, 7 Drawing Sheets



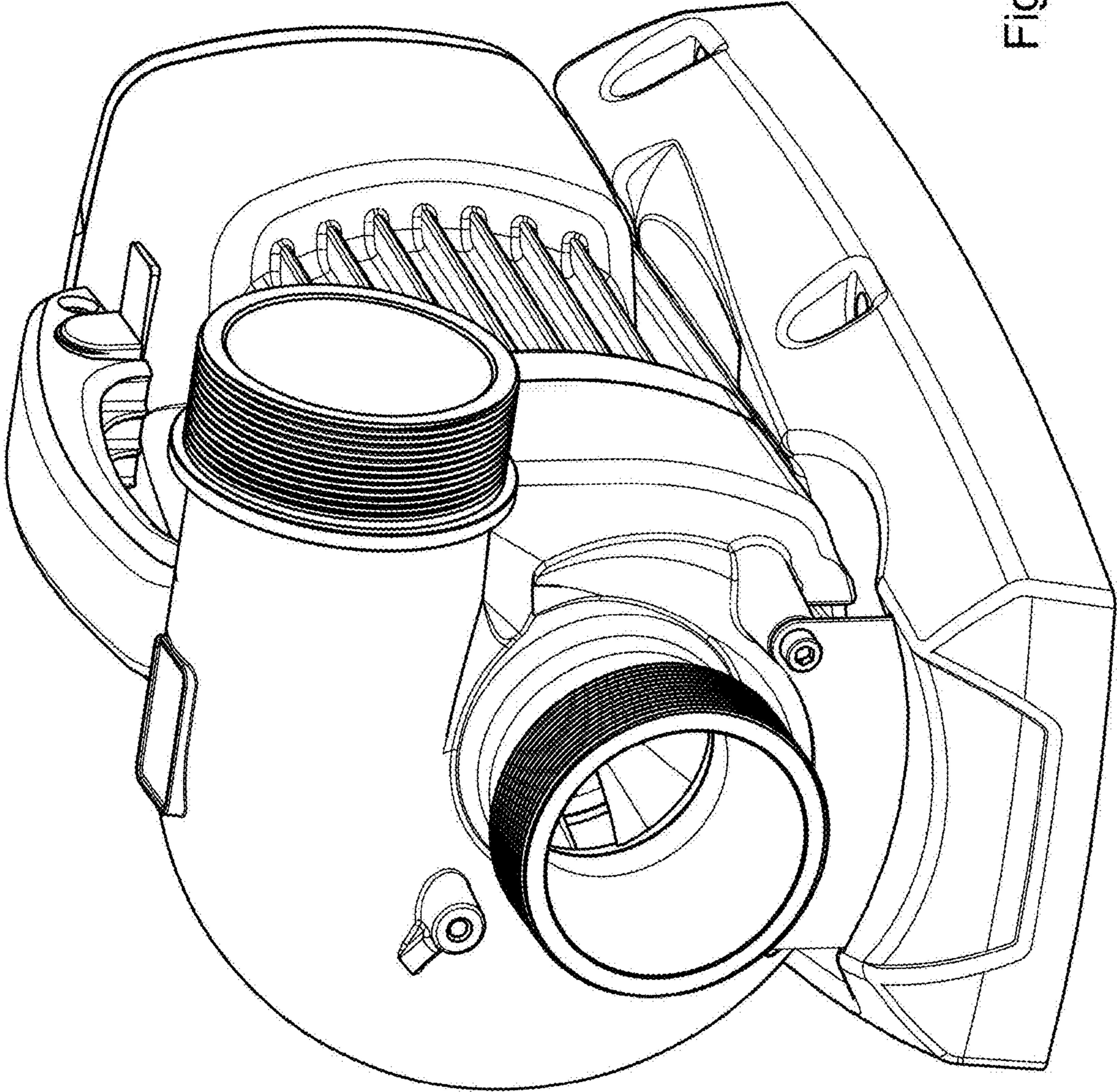


Fig. 1

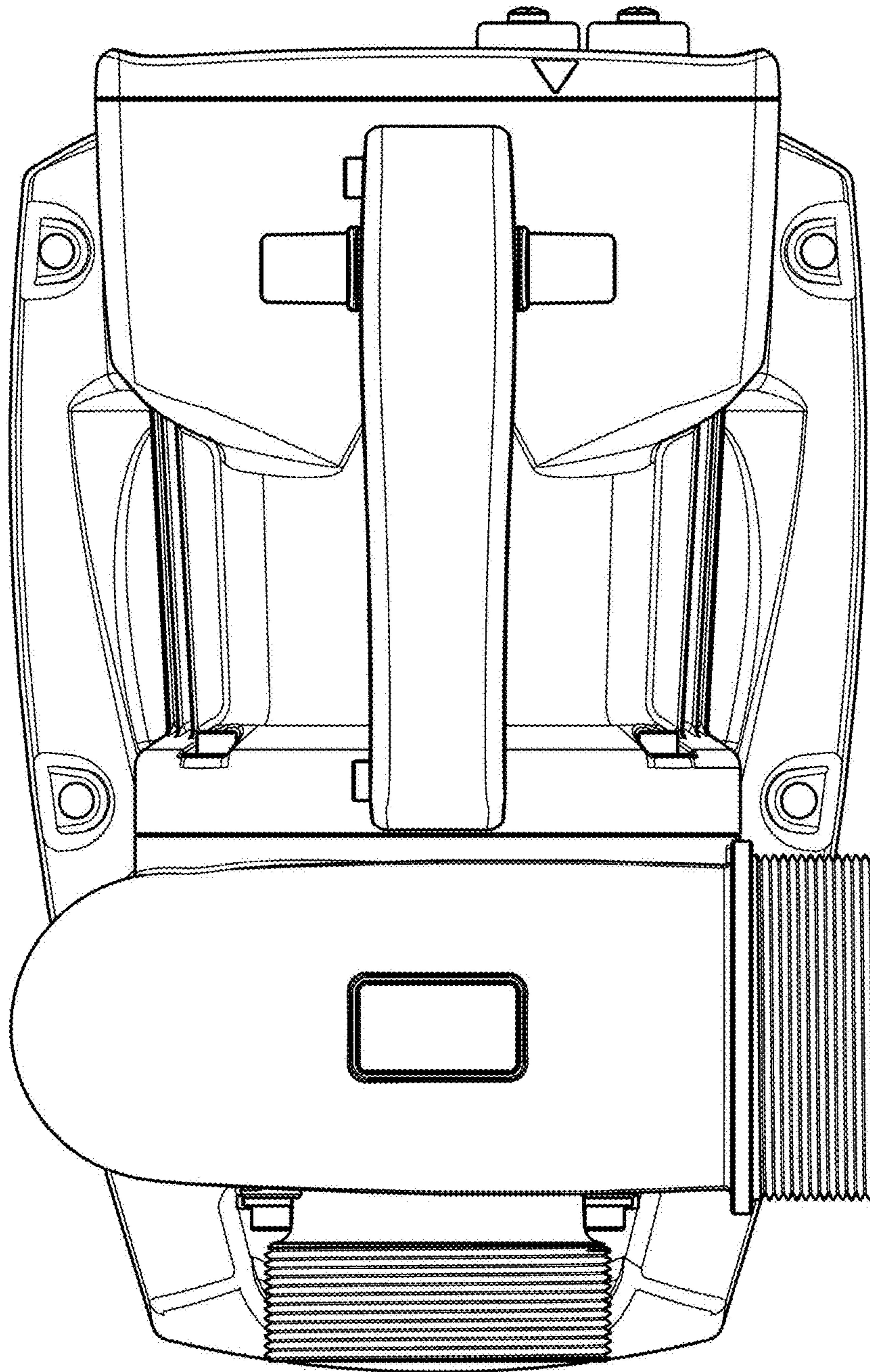


Fig. 2

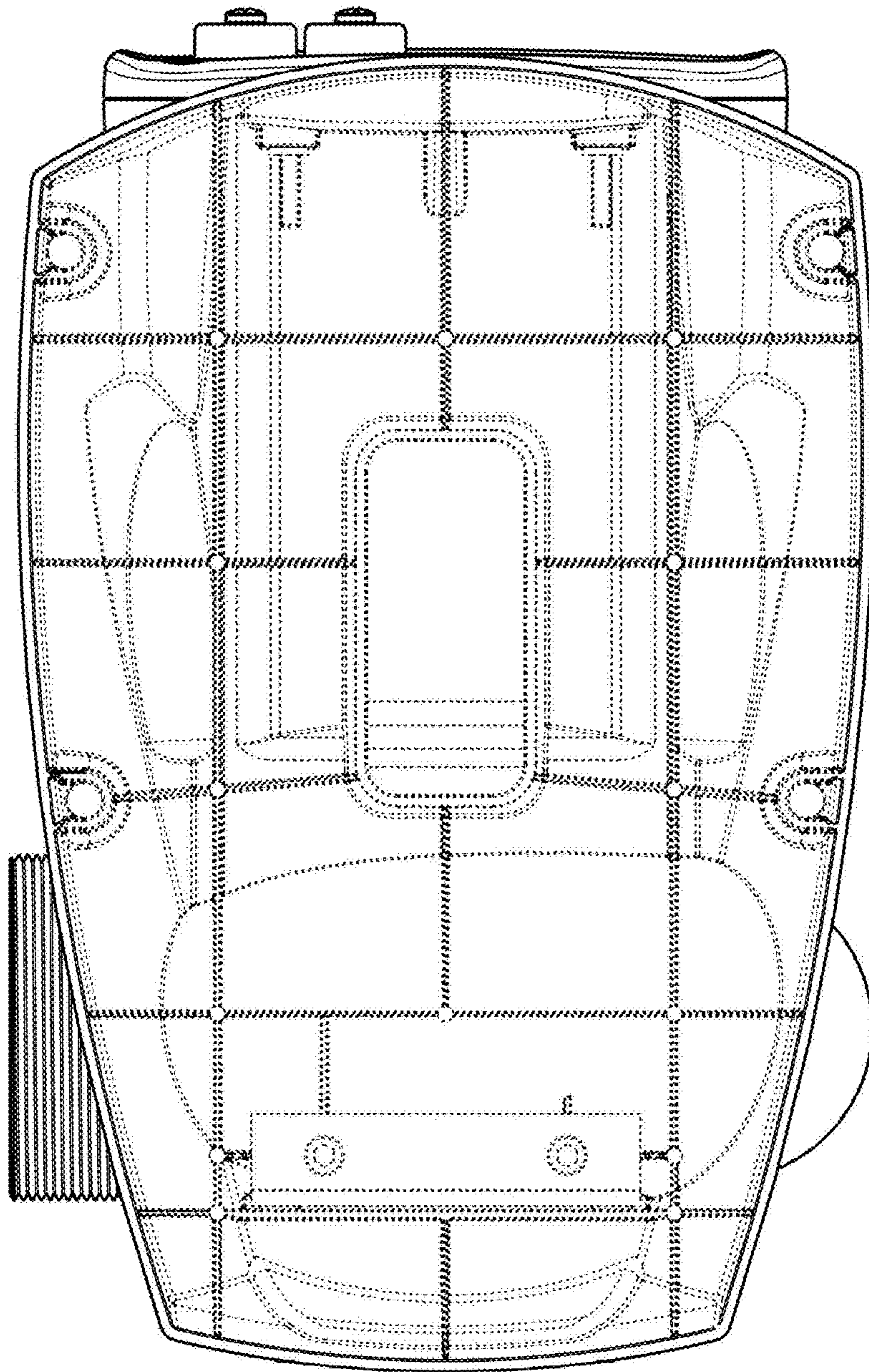


Fig. 3

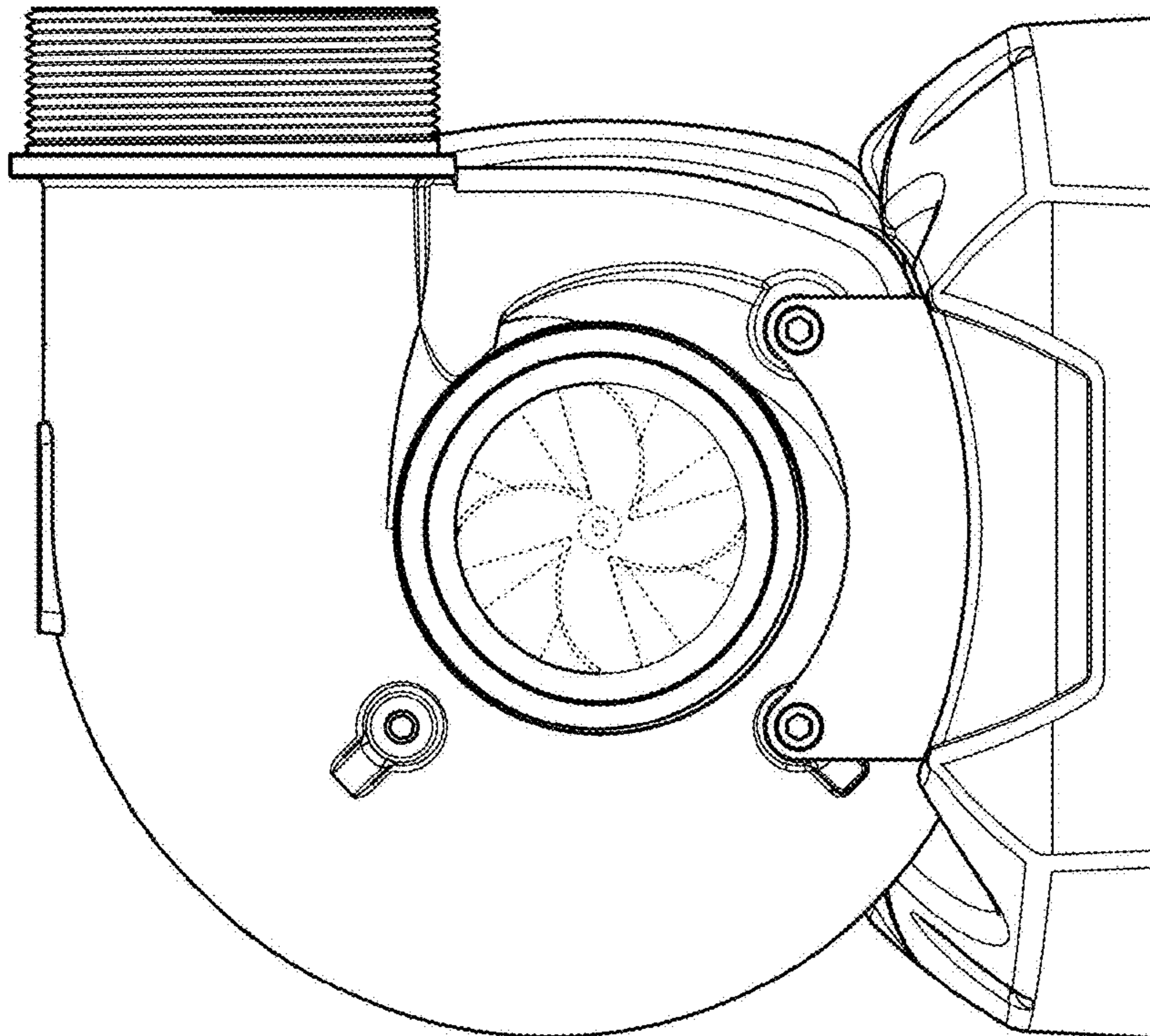


Fig. 4

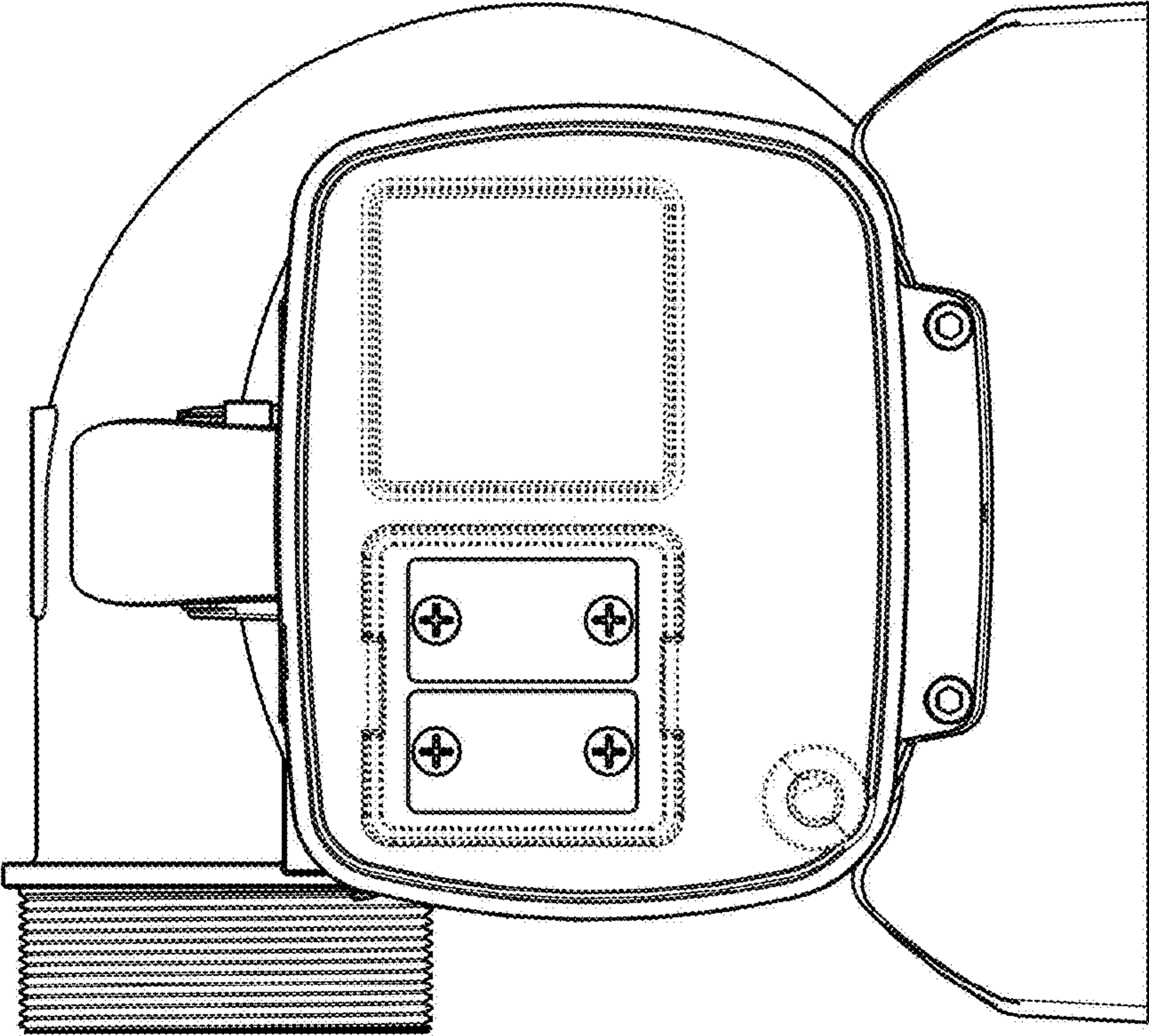


Fig. 5

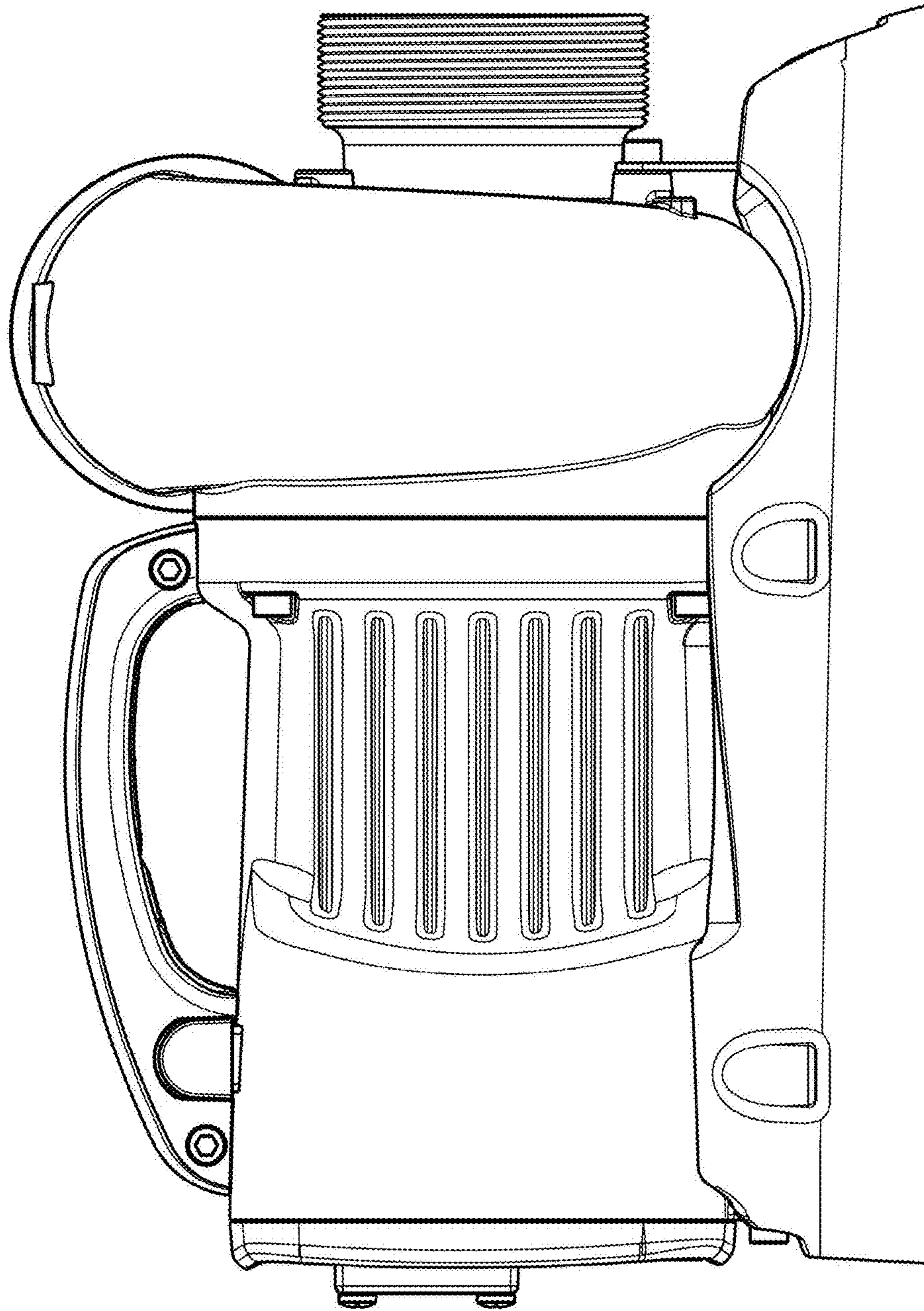


Fig. 6

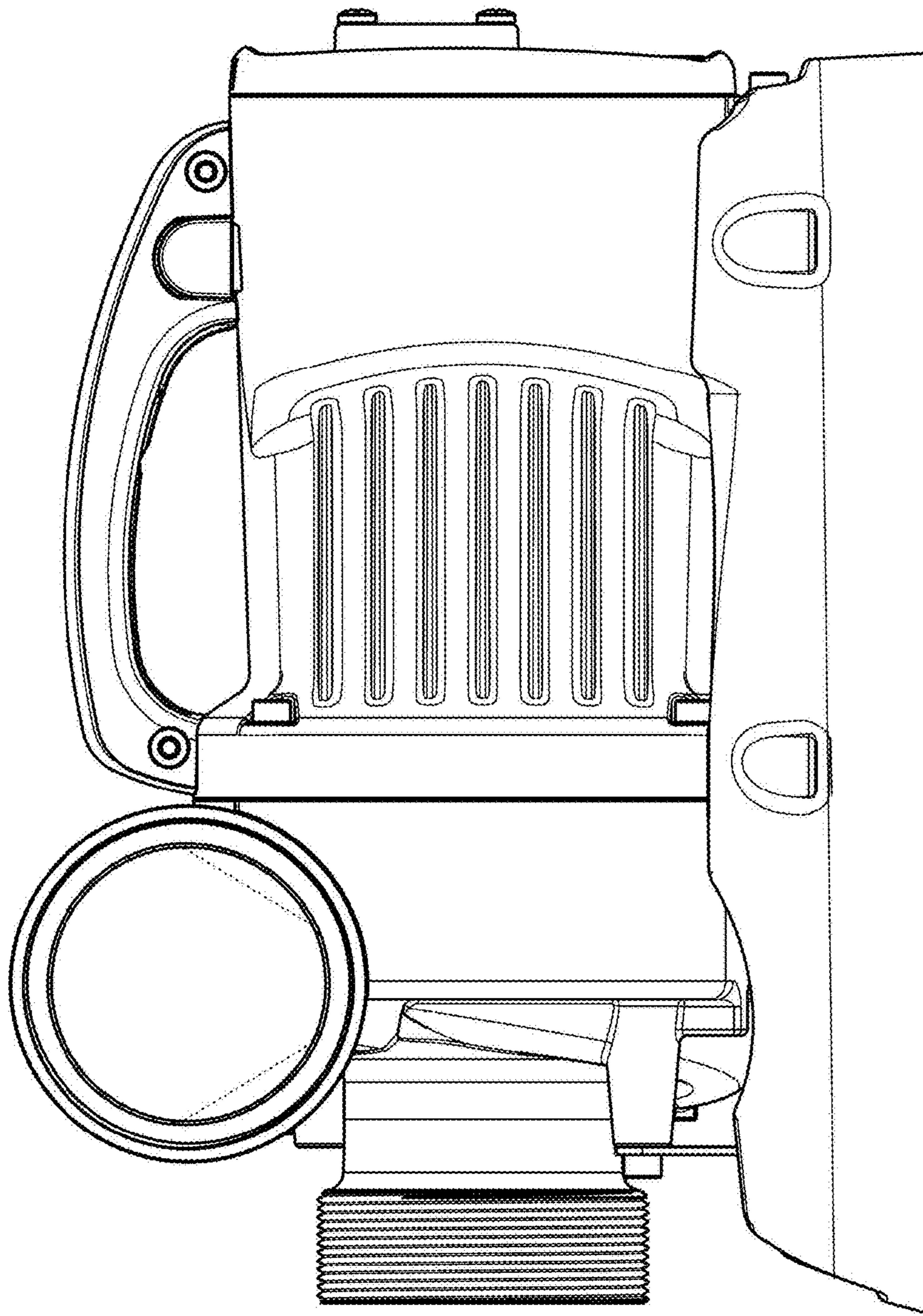


Fig. 7