



US00D813910S

(12) **United States Design Patent**  
**Tomlinson et al.**

(10) **Patent No.:** **US D813,910 S**  
(45) **Date of Patent:** **\*\* Mar. 27, 2018**

(54) **VALVE COVER**  
(71) Applicant: **Holley Performance Products Inc.**,  
Bowling Green, KY (US)  
(72) Inventors: **Thomas W. Tomlinson**, Bowling  
Green, KY (US); **Robert M. Haynes**,  
Bowling Green, KY (US)  
(73) Assignee: **Holley Performance Products, Inc.**,  
Bowling Green, KY (US)  
(\*\*) Term: **15 Years**

4,492,189 A \* 1/1985 Ogawa ..... F02B 77/13  
123/195 C  
4,538,560 A \* 9/1985 Alden ..... F02F 7/006  
123/193.5  
4,593,659 A 6/1986 Wells  
D305,767 S \* 1/1990 Tauschke ..... D15/5  
5,095,860 A 3/1992 Newell  
(Continued)

**FOREIGN PATENT DOCUMENTS**

AU 201712298 5/2017  
AU 201712300 5/2017  
(Continued)

(21) Appl. No.: **29/583,874**  
(22) Filed: **Nov. 9, 2016**  
(51) **LOC (11) Cl.** ..... **15-01**  
(52) **U.S. Cl.**  
USPC ..... **D15/5**  
(58) **Field of Classification Search**  
USPC ..... D15/1-5  
CPC ... F01P 5/02; F01P 1/02; F02B 75/007; F02B  
77/13; F02B 75/22; F02F 7/0046; F02F  
7/0026; F02F 7/0021; F02F 7/0068; F02F  
7/006; F02F 2007/0097; F02F 7/0024;  
F02F 7/0039; F02F 7/0065; F02F  
2007/0075; F02F 2007/0078; F02F  
7/0095; F01M 13/023  
See application file for complete search history.

**OTHER PUBLICATIONS**

Transmittal Letter of Related Cases.  
(Continued)

*Primary Examiner* — T. Chase Nelson  
*Assistant Examiner* — Ania Aman  
(74) *Attorney, Agent, or Firm* — Middleton Reutlinger

(57) **CLAIM**

We claim the ornamental design for a valve cover, as shown and described.

**DESCRIPTION**

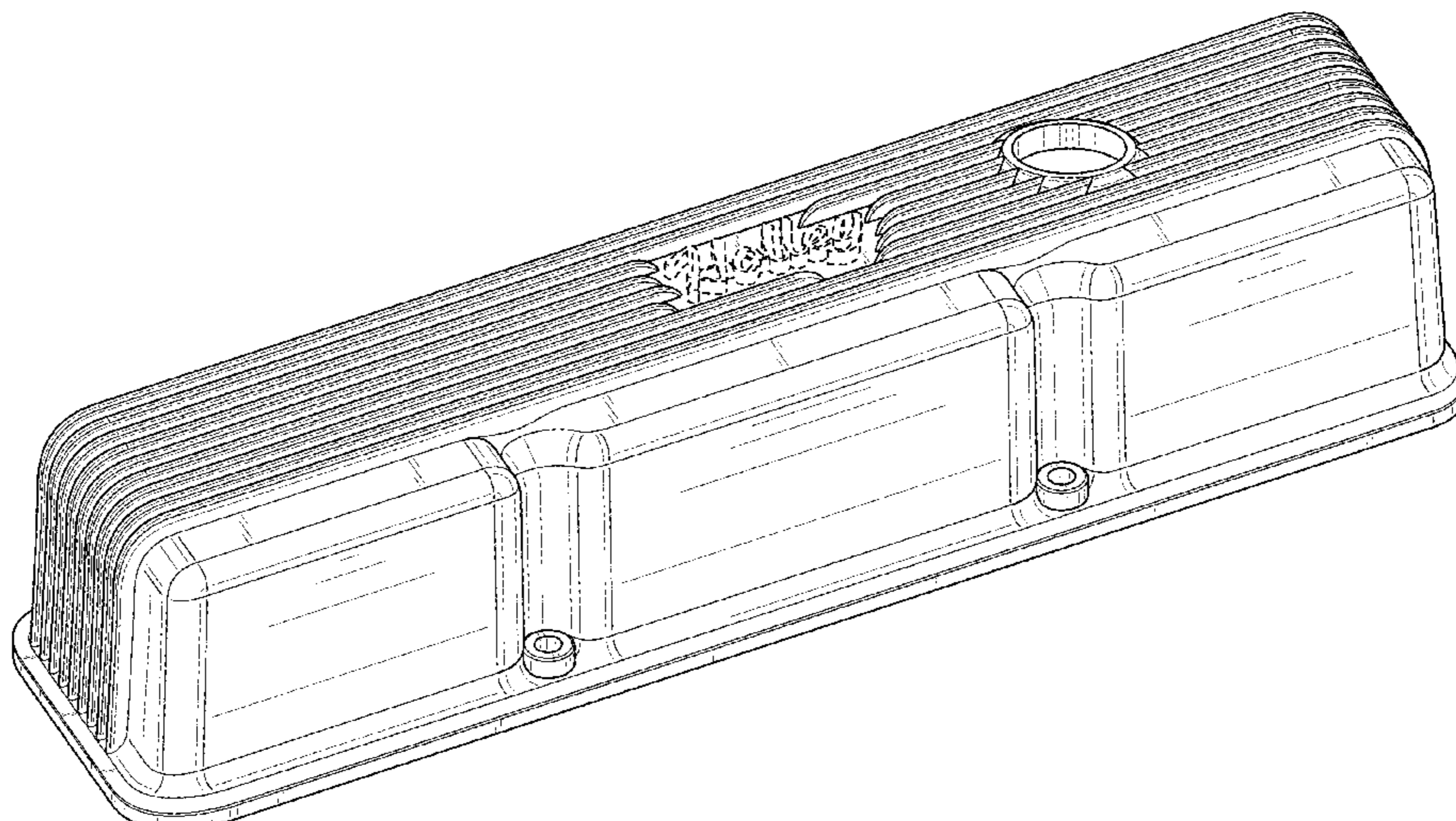
FIG. 1 is a front perspective view of a valve cover showing our new design.  
FIG. 2 is a front elevational view thereof;  
FIG. 3 is a back elevational view thereof;  
FIG. 4 is a left side elevational view thereof;  
FIG. 5 is a right side elevational view thereof;  
FIG. 6 is a top plan view thereof; and,  
FIG. 7 is a bottom plan view thereof.  
The broken lines in the drawings illustrate environmental structure on the article and form no part of the claimed design.

(56) **References Cited**

**U.S. PATENT DOCUMENTS**

2,877,756 A \* 3/1959 McCauley ..... F02F 7/006  
123/195 C  
3,256,871 A \* 6/1966 Bintz ..... F01M 13/023  
123/572  
D252,878 S \* 9/1979 Bellino ..... D15/5  
4,257,369 A \* 3/1981 Abe ..... F02F 7/008  
123/195 C  
4,261,310 A \* 4/1981 Laws, Jr. .... F02B 75/22  
123/198 E

**1 Claim, 5 Drawing Sheets**



(56)

References Cited

U.S. PATENT DOCUMENTS

5,365,901 A \* 11/1994 Kiczek ..... F02F 7/006  
123/195 C

5,513,603 A 5/1996 Ang

5,513,604 A \* 5/1996 Clement ..... F02F 7/006  
123/90.38

5,687,975 A \* 11/1997 Inciong ..... F02F 7/006  
277/591

D418,844 S \* 1/2000 Occhiuto ..... D15/5

D503,724 S \* 4/2005 Grant ..... D15/5

7,137,378 B1 \* 11/2006 Jaeger ..... F02D 9/1035  
123/198 D

D543,998 S \* 6/2007 Platt ..... D15/5

7,343,890 B1 \* 3/2008 Platt ..... F02F 7/006  
123/195 C

D574,853 S \* 8/2008 Harbert ..... D15/5

D580,954 S \* 11/2008 Platt ..... D15/5

7,765,971 B1 \* 8/2010 Overacker ..... F01M 9/10  
123/193.5

8,056,522 B1 \* 11/2011 Carter ..... F02F 7/006  
123/193.5

D657,798 S \* 4/2012 Platt et al. .... D15/5

8,424,503 B1 \* 4/2013 Harbert ..... F02F 7/006  
123/195 C

D700,288 S \* 2/2014 Santos ..... D23/249

D727,362 S \* 4/2015 Platt et al. .... D15/5

D735,759 S \* 8/2015 Chan ..... D15/5

D788,824 S \* 6/2017 Choi et al. .... D15/5

2002/0112684 A1 8/2002 Jones

2005/0132997 A1 \* 6/2005 Vargas ..... F02F 7/006  
123/195 C

2007/0169734 A1 \* 7/2007 Harbert ..... F02F 7/006  
123/90.38

2007/0277724 A1 \* 12/2007 Sammons ..... F02F 7/006  
116/28 R

2008/0001040 A1 1/2008 Franks

2008/0121199 A1 \* 5/2008 Harbert ..... F02F 7/006  
123/90.38

2009/0241879 A1 \* 10/2009 Harbert ..... F01M 11/04  
123/90.38

2010/0043740 A1 2/2010 Turner, Jr.

2017/0022931 A1 1/2017 Webb

FOREIGN PATENT DOCUMENTS

AU 201712302 5/2017

AU 201712303 5/2017

AU 201712306 5/2017

AU 201712313 5/2017

AU 201712314 5/2017

AU 201712315 5/2017

AU 201712316 5/2017

AU 201712317 5/2017

AU 201712318 5/2017

AU 201712321 5/2017

AU 201712322 5/2017

AU 201712323 5/2017

OTHER PUBLICATIONS

U.S. Design Patent Application No. 29/583,807 entitled "Valve Cover" filed Nov. 9, 2016.

Design U.S. Appl. No. 29/583,814 entitled "Engine Valley Cover" filed Nov. 9, 2016.

Design U.S. Appl. No. 29/583,820 entitled "Engine Valley Cover" filed Nov. 9, 2016.

Design U.S. Appl. No. 29/583,824 entitled "Engine Valley Cover" filed Nov. 9, 2016.

Design U.S. Appl. No. 29/583,835 entitled "Set of Engine Valve Covers" filed Nov. 9, 2016.

Design U.S. Appl. No. 29/583,843 entitled "Set of Engine Valve Covers" filed Nov. 9, 2016.

Design U.S. Appl. No. 29/583,851 entitled "Set of Engine Valve Covers" filed Nov. 9, 2016.

Design U.S. Appl. No. 29/583,828 entitled "Engine Valley Cover" filed Nov. 9, 2016.

Design U.S. Appl. No. 29/583,867 entitled "Valve Cover" filed Nov. 9, 2016.

Design U.S. Appl. No. 29/583,878 entitled "Valve Cover" filed Nov. 9, 2016.

\* cited by examiner

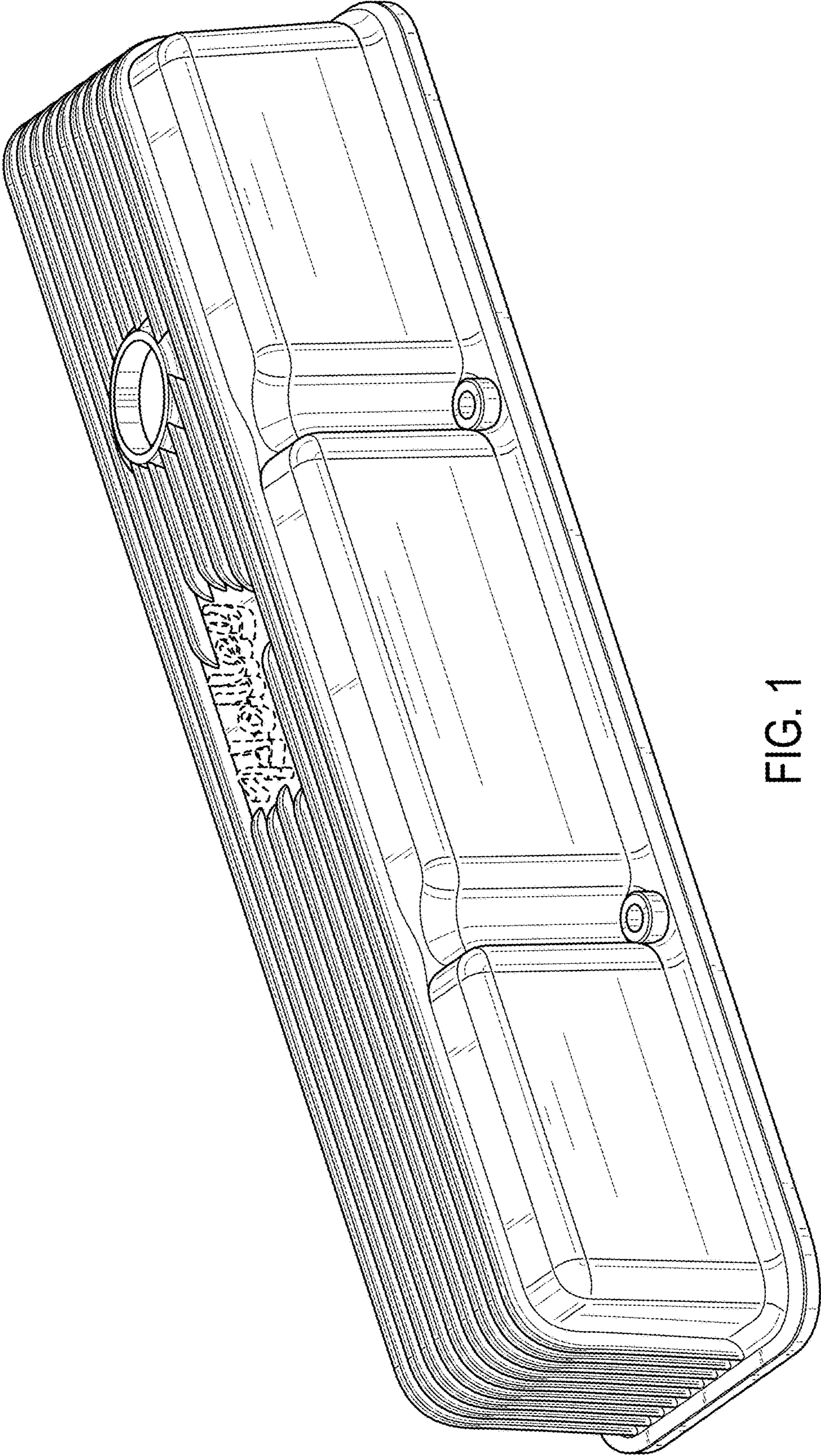


FIG. 1

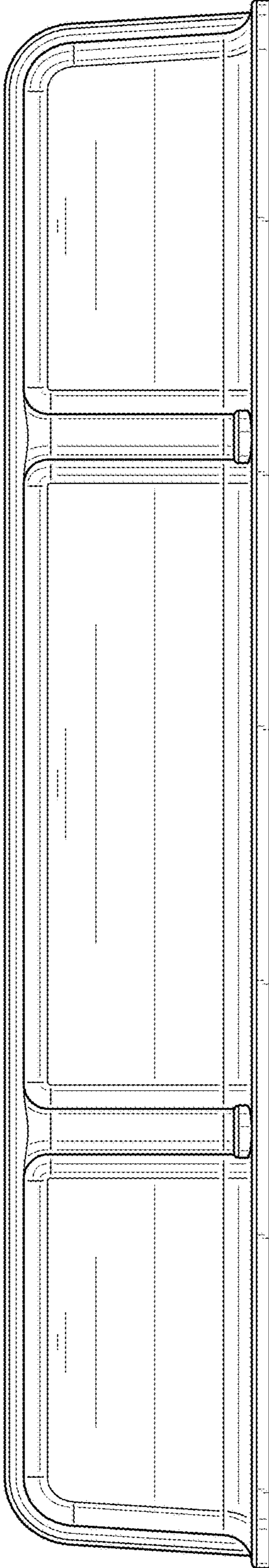


FIG. 2

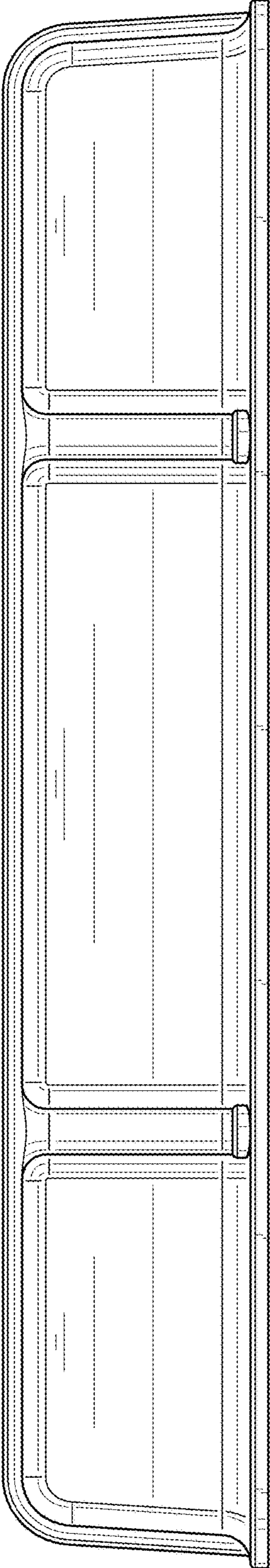


FIG. 3

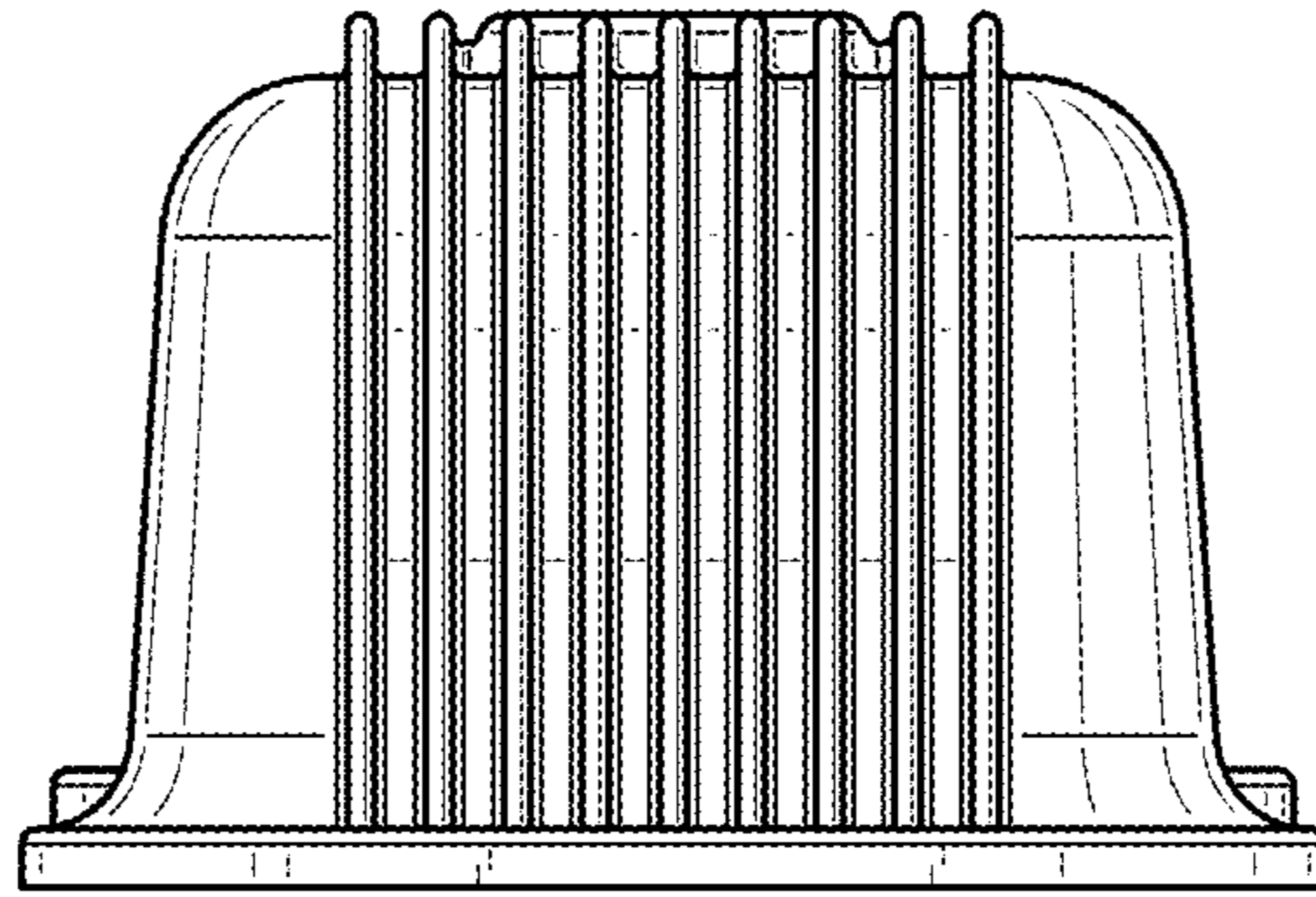


FIG. 4

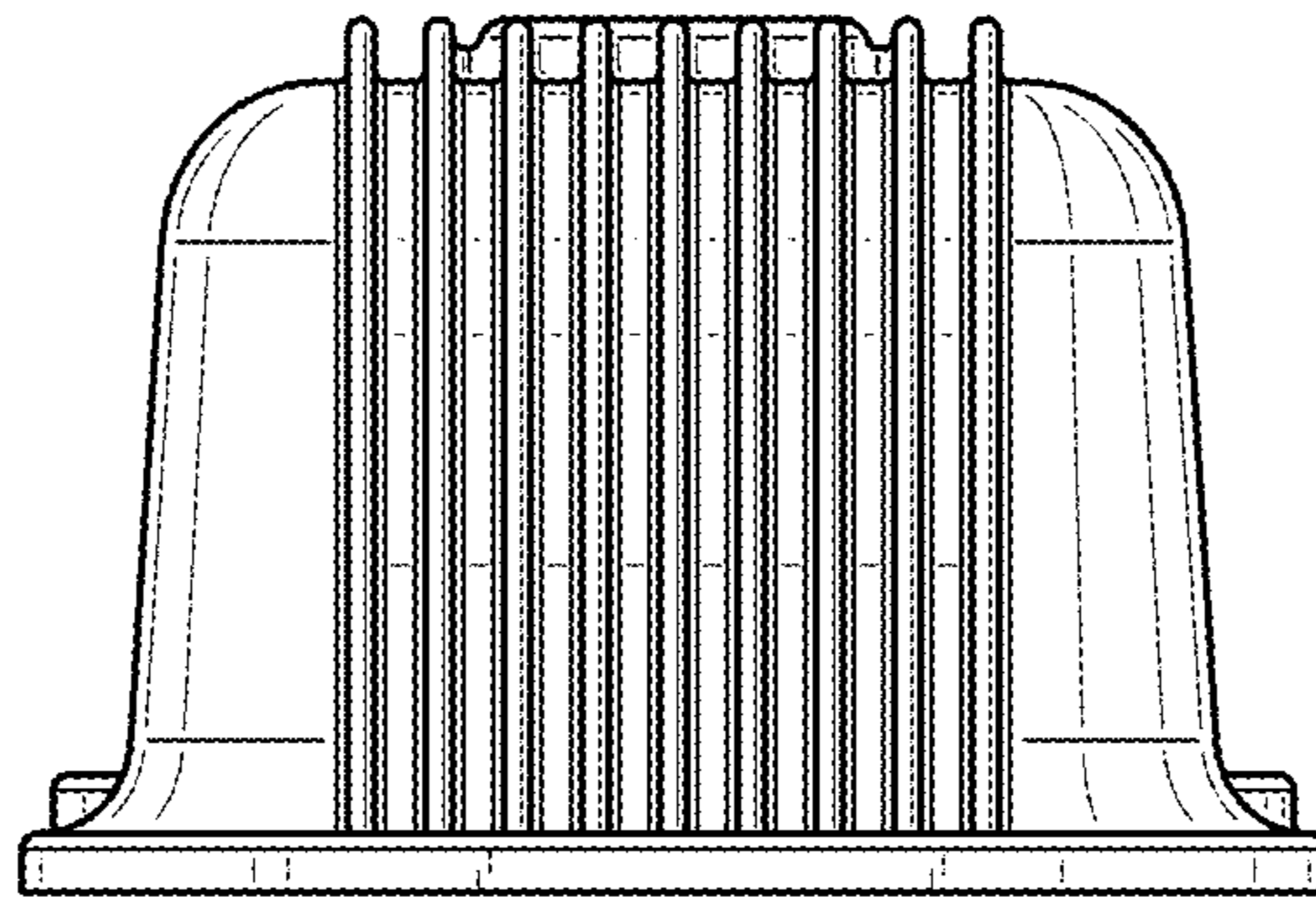


FIG. 5

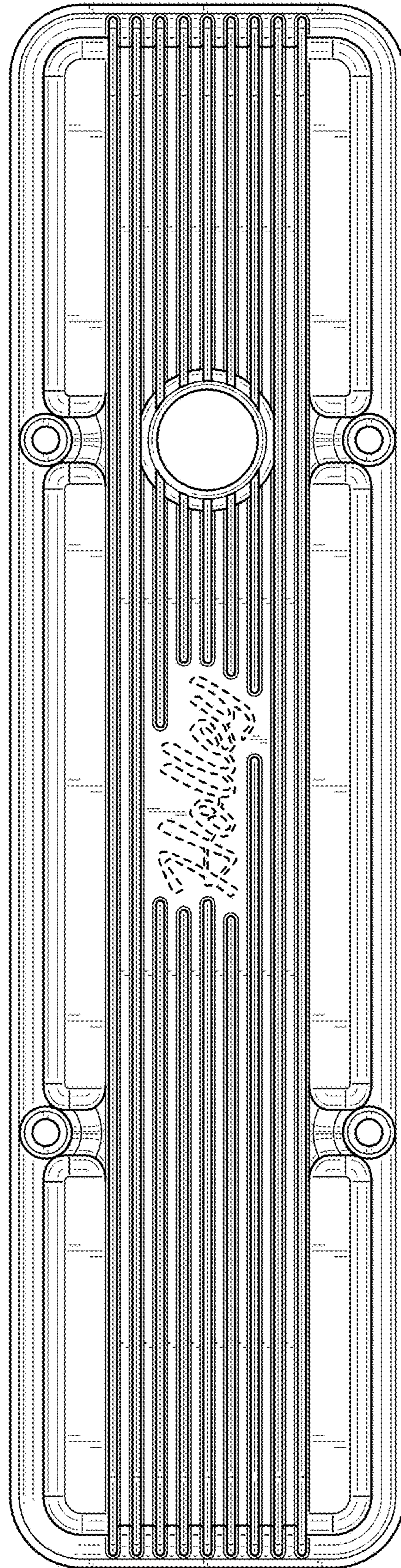


FIG. 6

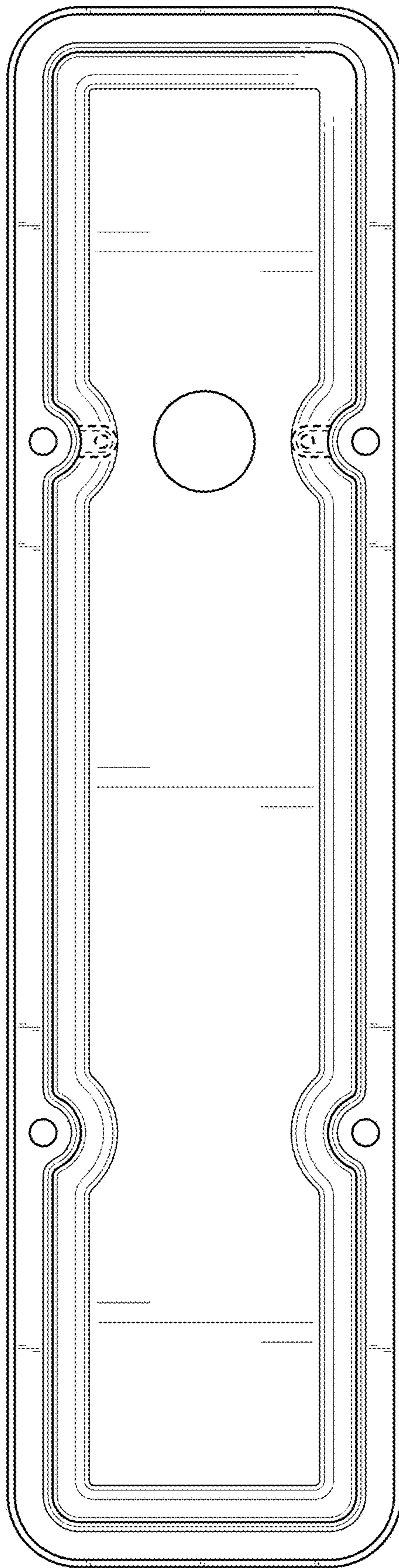


FIG. 7