



US00D813907S

(12) **United States Design Patent**
Kim et al.

(10) **Patent No.:** **US D813,907 S**
(45) **Date of Patent:** **** Mar. 27, 2018**

(54) **DISPLAY SCREEN OR PORTION THEREOF WITH ICON**

(71) Applicant: **SAMSUNG ELECTRONICS CO., LTD.**, Suwon-si (KR)

(72) Inventors: **Sora Kim**, Seoul (KR); **Cheolhoon Kang**, Seoul (KR)

(73) Assignee: **SAMSUNG ELECTRONICS CO., LTD.**, Gyeonggi-Do (KR)

(**) Term: **15 Years**

(21) Appl. No.: **29/550,263**

(22) Filed: **Dec. 31, 2015**

(30) **Foreign Application Priority Data**

Sep. 2, 2015 (KR) 30-2015-0044289

(51) **LOC (11) Cl.** **14-04**

(52) **U.S. Cl.**
USPC **D14/492**; D14/489

(58) **Field of Classification Search**
USPC D14/488–495
CPC G06F 3/0481; G06F 3/0482; G06F 3/0488;
G06F 3/04817; G06F 3/04845; G06T
2200/24; G06Q 50/01; H04L 51/32;
H04M 1/2477

See application file for complete search history.

(56) **References Cited**

U.S. PATENT DOCUMENTS

D523,020 S * 6/2006 Hernandez D14/492
D613,301 S * 4/2010 Lee D14/489
D641,374 S * 7/2011 Fletcher D14/489
D668,674 S * 10/2012 Suarez G06F 3/0483
D14/492
D676,870 S * 2/2013 Steele D14/492

D684,995 S * 6/2013 Chaudhri D14/490
D704,220 S * 5/2014 Lim D14/492
D707,705 S * 6/2014 Folken D14/490
D709,916 S * 7/2014 Jang D14/492
D715,322 S * 10/2014 Sakata D14/492
D726,219 S * 4/2015 Chaudhri D14/489
D726,221 S * 4/2015 Gomez D14/492
D728,616 S * 5/2015 Gomez D14/491
D730,397 S * 5/2015 Oh D14/490
D731,541 S * 6/2015 Lee D14/489
D736,256 S * 8/2015 Kwon D14/492

(Continued)

FOREIGN PATENT DOCUMENTS

CN 201430566489X 12/2014
CN 2014304965531 12/2014
EM 0007486940019 5/2007

OTHER PUBLICATIONS

Basinski, Maxim, Security and Protection, May 29, 2015, iconfinder.com <https://www.iconfinder.com/iconsets/security-and-protection-4> (Year: 2015).*

(Continued)

Primary Examiner — Karen E Kearney
Assistant Examiner — Katherine A Holbrow
(74) *Attorney, Agent, or Firm* — Cantor Colburn LLP

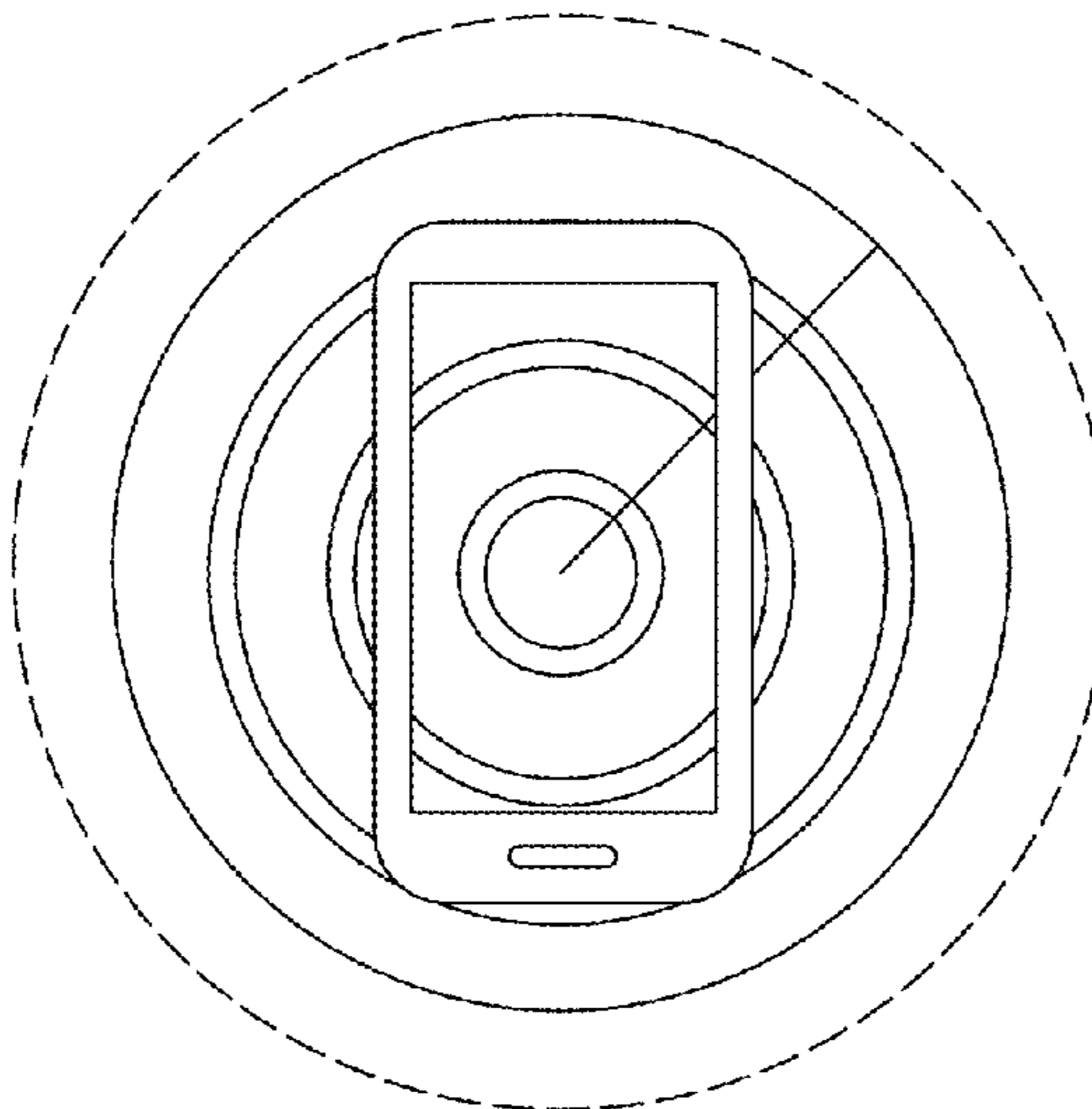
(57) **CLAIM**

We claim, the ornamental design for a display screen or portion thereof with icon, as shown and described.

DESCRIPTION

The FIGURE is a front view of a display screen or portion thereof with icon, showing our new design. The broken line showing of the display screen in the FIGURE is included for the purpose of illustrating environmental structure and forms no part of the claimed design.

1 Claim, 1 Drawing Sheet



(56)

References Cited

U.S. PATENT DOCUMENTS

D739,878 S * 9/2015 Baxley D14/492
 D744,530 S * 12/2015 Jung D14/489
 D745,042 S * 12/2015 Kim D14/489
 D748,673 S * 2/2016 Park D14/492
 D756,405 S * 5/2016 Kim D14/489
 D756,413 S * 5/2016 Kang D14/492
 D757,804 S * 5/2016 Kim D14/492
 D762,673 S * 8/2016 Seo D14/485
 D762,724 S * 8/2016 Lee D14/492
 D763,916 S * 8/2016 Um D14/489
 D771,134 S * 11/2016 Lee D14/492
 D771,136 S * 11/2016 Lee D14/492
 D772,941 S * 11/2016 Nuovo D14/488
 D774,081 S * 12/2016 Yoo D14/489
 D797,122 S * 9/2017 Caro D14/485
 2014/0282132 A1 * 9/2014 Daly, IV G06F 3/04817
 715/763
 2016/0162913 A1 * 6/2016 Linden G06Q 30/0202
 705/7.31

OTHER PUBLICATIONS

PayPoint Network Limited, Trademark Serial No. 857998, Jul. 2, 2013, [online], [site visited Sep. 25, 2017]. Available from Internet: <http://tmsearch.uspto.gov/bin/showfield?f=doc&state=4801:i1qa10.28.9> (Year: 2013).*

Sunil, Haritha, Download Find My Lost Phone App, Jul. 1, 2016, Apps on Store, appsonstore.com http://appsonstore.com/social-networking/tracker/find-my-lost-phone_i66 (Year: 2016).*

Find My Lost Phone, (Copyright 2015), pp. 1-3, Retrieved from the Internet Dec. 31, 2015, <URL:<https://play.google.com/store/apps/details?id=com.fsp.android.phonetracker>>.

Phone Tracker Official Site, (Copyright 2015), pp. 1-3, Retrieved from the Internet Dec. 31, 2015, <URL:<https://play.google.com/store/apps/details?id=com.phonetrackerofficial1>>.

* cited by examiner

