



US00D813882S

(12) **United States Design Patent** (10) **Patent No.:** **US D813,882 S**  
**Shivaji-Rao** (45) **Date of Patent:** **\*\* Mar. 27, 2018**

(54) **DISPLAY SCREEN OR PORTION THEREOF WITH GRAPHICAL USER INTERFACE**

*Primary Examiner* — Cathron C Brooks  
*Assistant Examiner* — Christian P. McLean  
 (74) *Attorney, Agent, or Firm* — Theodore Heske III

(71) Applicant: **Nanolumens Acquisition, Inc.**,  
Norcross, GA (US)

(72) Inventor: **Vishnu Shivaji-Rao**, Somerset, NJ  
(US)

(73) Assignee: **Nanolumens Acquisition, Inc.**,  
Norcross, PA (US)

(\*\*) Term: **15 Years**

(21) Appl. No.: **29/570,531**

(22) Filed: **Jul. 8, 2016**

(51) **LOC (11) Cl.** ..... **14-04**

(52) **U.S. Cl.**  
USPC ..... **D14/485**

(58) **Field of Classification Search**  
 USPC ..... D14/485–495; 345/1.1, 1.2, 2.1–2.3, 3.1,  
 345/902; 715/763, 810, 836, 837, 846,  
 715/847, 977  
 CPC .... G06F 3/048; G06F 3/0481; G06F 3/04812;  
 G06F 3/04817; G06F 3/0482; G06F  
 3/0483; G06F 3/0484; G06F 3/04847;  
 G06F 3/0485; G06F 3/04855; G06F  
 3/04886; G06Q 30/00; H03J 1/00; H03J  
 1/0008; H03J 1/0016; H03J 1/0025;  
 H04N 5/00;

(Continued)

(56) **References Cited**

**U.S. PATENT DOCUMENTS**

D401,230 S \* 11/1998 Marshall, Jr. .... D14/486  
 D664,549 S \* 7/2012 Gleasman ..... D14/485

(Continued)

**OTHER PUBLICATIONS**

U.S. Trademark Serial No. 86640262, filed May 24, 2015.\*

(Continued)

(57) **CLAIM**

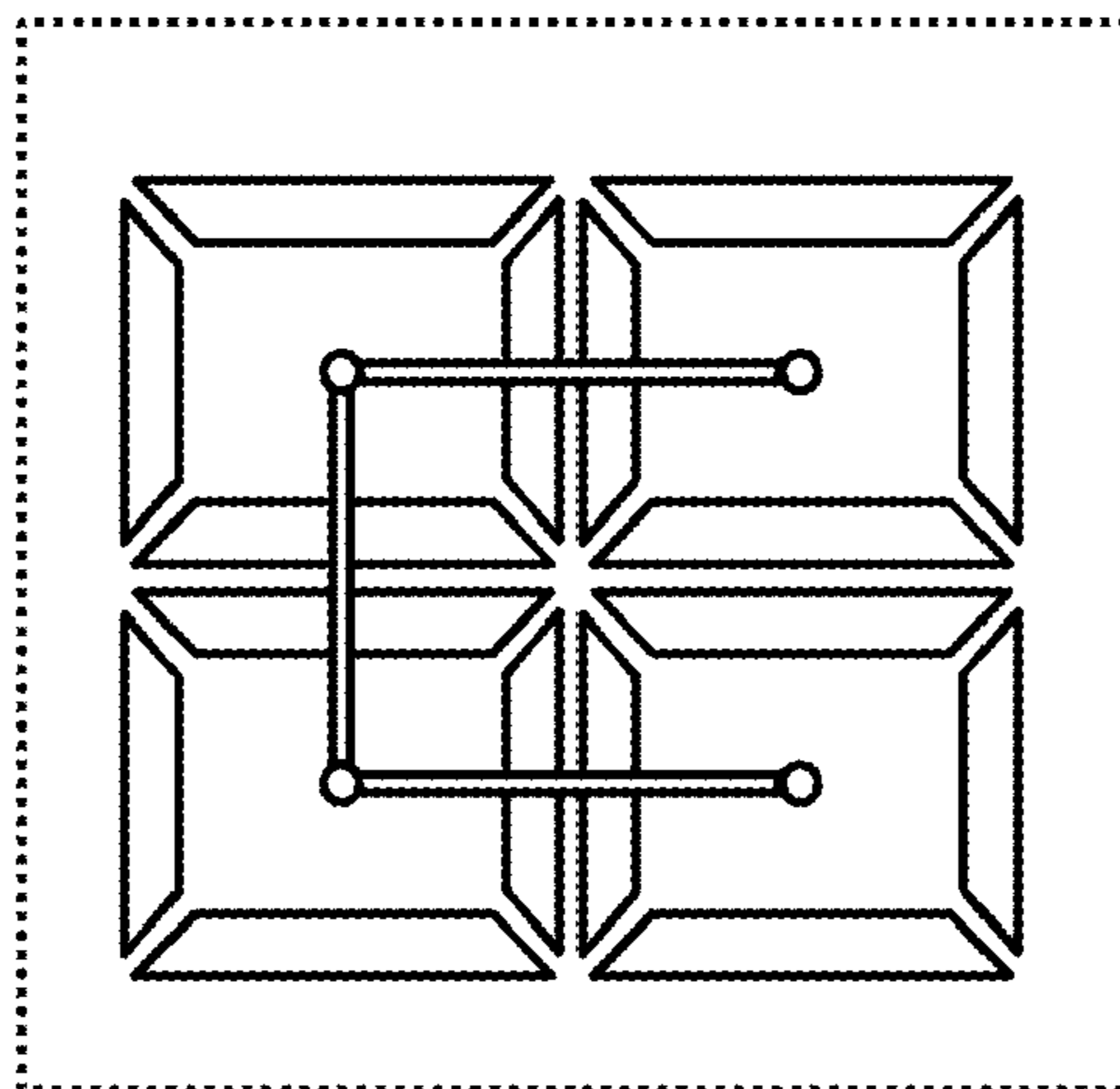
The ornamental design for a display screen or portion thereof with graphical user interface, as shown and described.

**DESCRIPTION**

FIG. 1 is a front view of a display screen or portion thereof with a graphical user interface showing our new design;  
 FIG. 2 is a front view of a second embodiment of a display screen or portion thereof with graphical user interface showing our new design;  
 FIG. 3 is a front view of a third embodiment of a display screen or portion thereof with graphical user interface showing our new design;  
 FIG. 4 is a front view of a fourth embodiment of a display screen or portion thereof with graphical user interface showing our new design;  
 FIG. 5 is a front view of a fifth embodiment of a display screen or portion thereof with graphical user interface showing our new design;  
 FIG. 6 is a front view of a sixth embodiment of a display screen or portion thereof with graphical user interface showing our new design;  
 FIG. 7 is a front view of a seventh embodiment of a display screen or portion thereof with graphical user interface showing our new design; and,  
 FIG. 8 is a front view of an eighth embodiment of a display screen or portion thereof with graphical user interface showing our new design.

The outermost broken lines illustrate a display screen or portion thereof and form no part of the claimed design. Remaining broken lines, illustrating portions of the graphical user interface, form no part of the claimed design.

**1 Claim, 2 Drawing Sheets**



(58) **Field of Classification Search**

CPC ..... H04N 5/08; H04N 5/14; H04N 5/222;  
 H04N 5/225; H04N 5/232; H04N 5/445;  
 H04N 5/44543; H04N 5/45; H04N  
 2005/44517; H04N 2005/44521; H04N  
 2005/44526; H04N 2005/4453; H04N  
 2005/44534; H04N 2005/44539; H04N  
 2005/44547; H04N 2005/44556; H04N  
 2005/4456; H04N 2005/44565; H04N  
 2005/44569; H04N 2005/44573; H04N  
 21/00; H04N 21/234; H04N 21/431;  
 H04N 21/4312; H04N 21/4314; H04N  
 21/4316

See application file for complete search history.

(56) **References Cited**

U.S. PATENT DOCUMENTS

D689,062	S	*	9/2013	Ikeda	.....	D14/485
D690,318	S	*	9/2013	Kluttz	.....	D14/487
D716,326	S	*	10/2014	Lee	.....	D14/486
D732,051	S	*	6/2015	Jeong	.....	D14/485
D734,356	S	*	7/2015	Xiong	.....	D14/487

D750,116	S	*	2/2016	Kim	.....	D14/486
D751,116	S	*	3/2016	Park	.....	D14/490
D751,603	S	*	3/2016	Park	.....	D14/490
D753,175	S	*	4/2016	Qu	.....	D14/487
D758,380	S	*	6/2016	Park	.....	D14/485
D758,426	S	*	6/2016	Park	.....	D14/489
D762,687	S	*	8/2016	Campiranon	.....	D14/486
D775,156	S	*	12/2016	Perach	.....	D14/485
D788,162	S	*	5/2017	Kim	.....	D14/489
2011/0083108	A1	*	4/2011	Klein	.....	G06F 3/0481 715/859
2015/0047014	A1	*	2/2015	Yoon	.....	G06F 21/36 726/16

OTHER PUBLICATIONS

“Seven Segment Display LCD Clock.” en.wikipedia.org. Aug. 1, 2005. Accessed Dec. 10, 2017. Available online at URL: <[https://en.wikipedia.org/wiki/File:Seven\\_segment\\_display\\_lcd\\_clock.png](https://en.wikipedia.org/wiki/File:Seven_segment_display_lcd_clock.png)>.\*  
 Kacer, Honza. “Seven segment display.” dribbble.com. Feb. 4, 2013. Accessed Dec. 10, 2017. Available online at URL: <<https://dribbble.com/shots/926738-Seven-segment-display>>.\*

\* cited by examiner

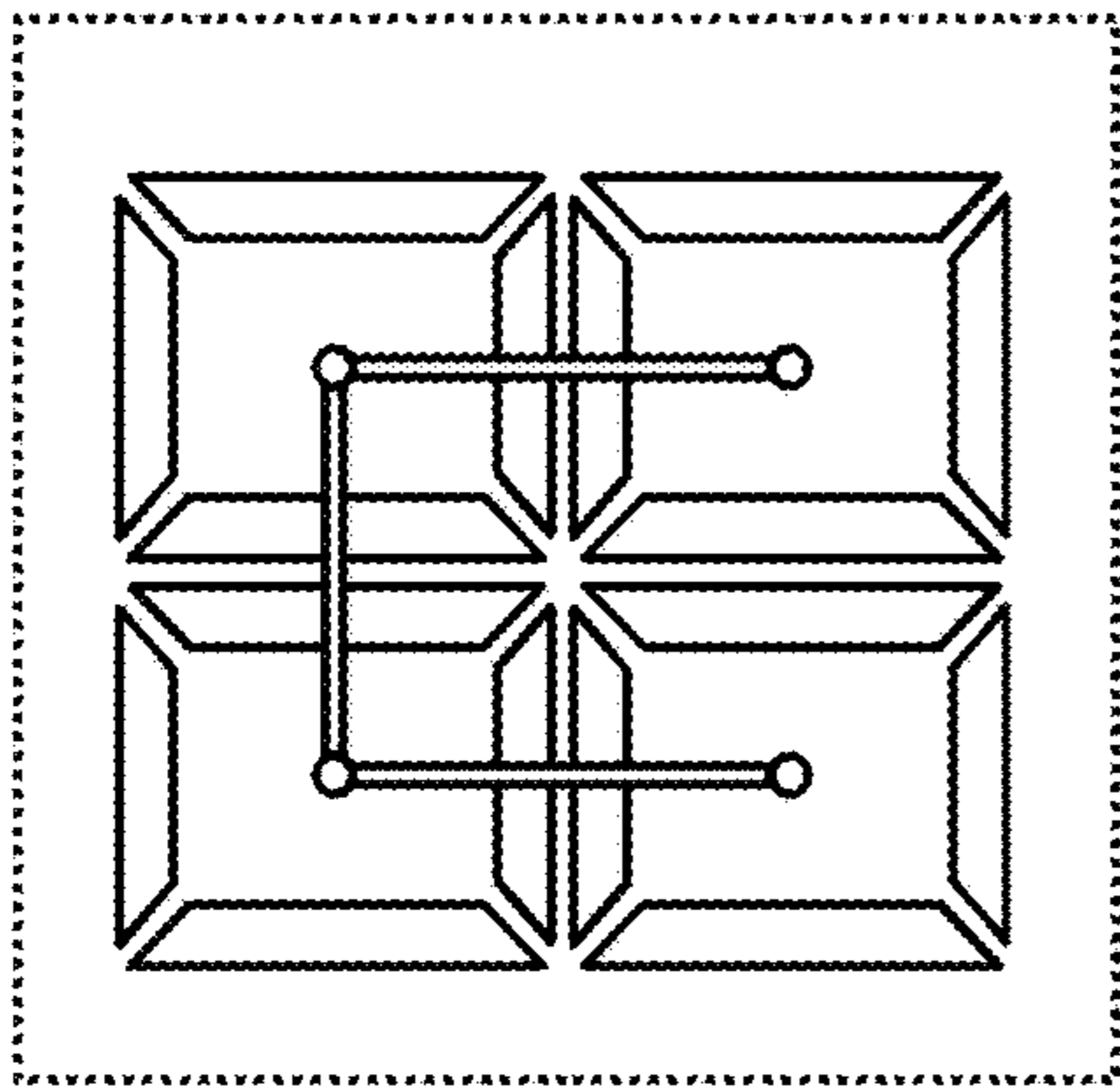


FIG 1

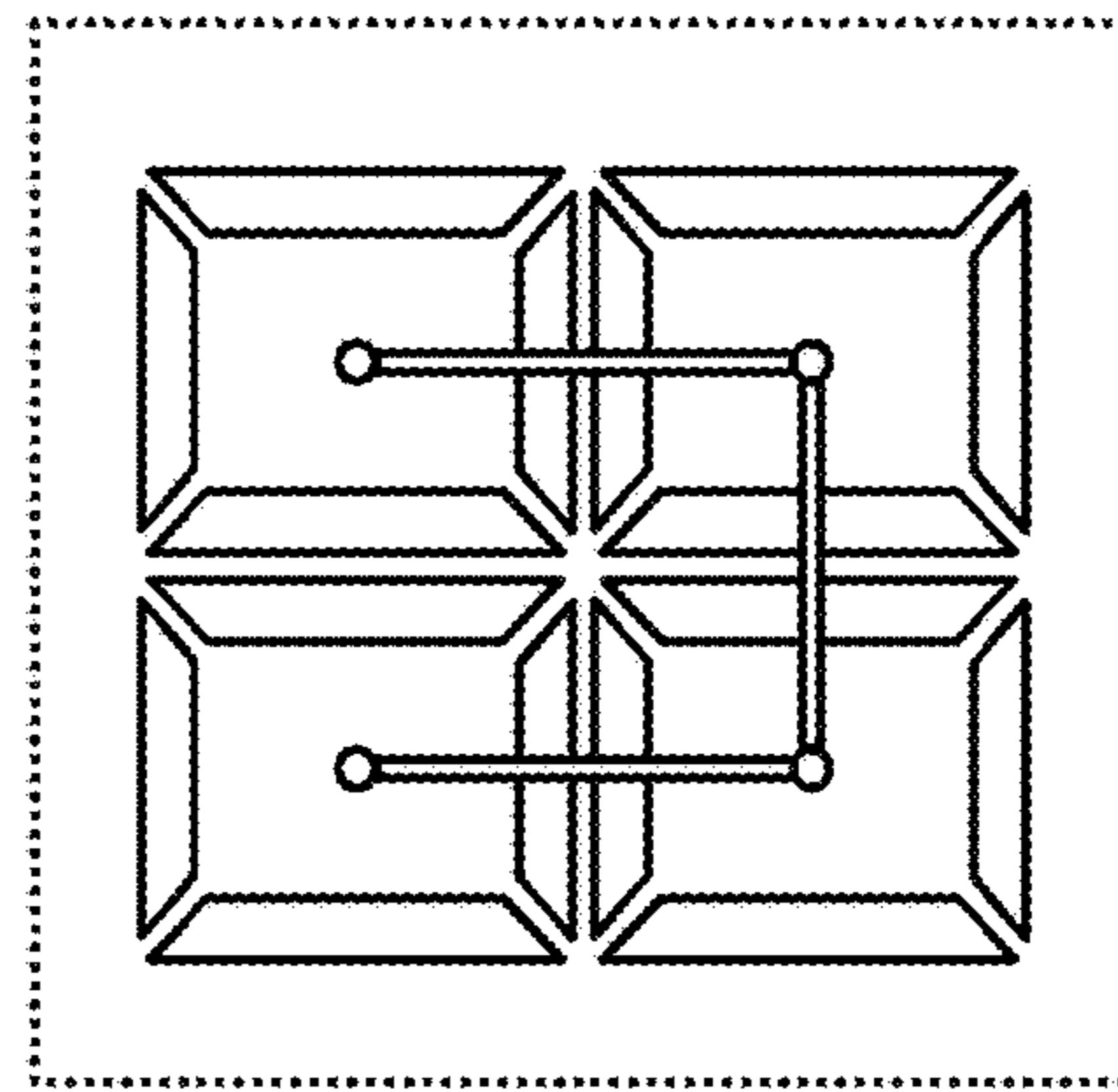


FIG 2

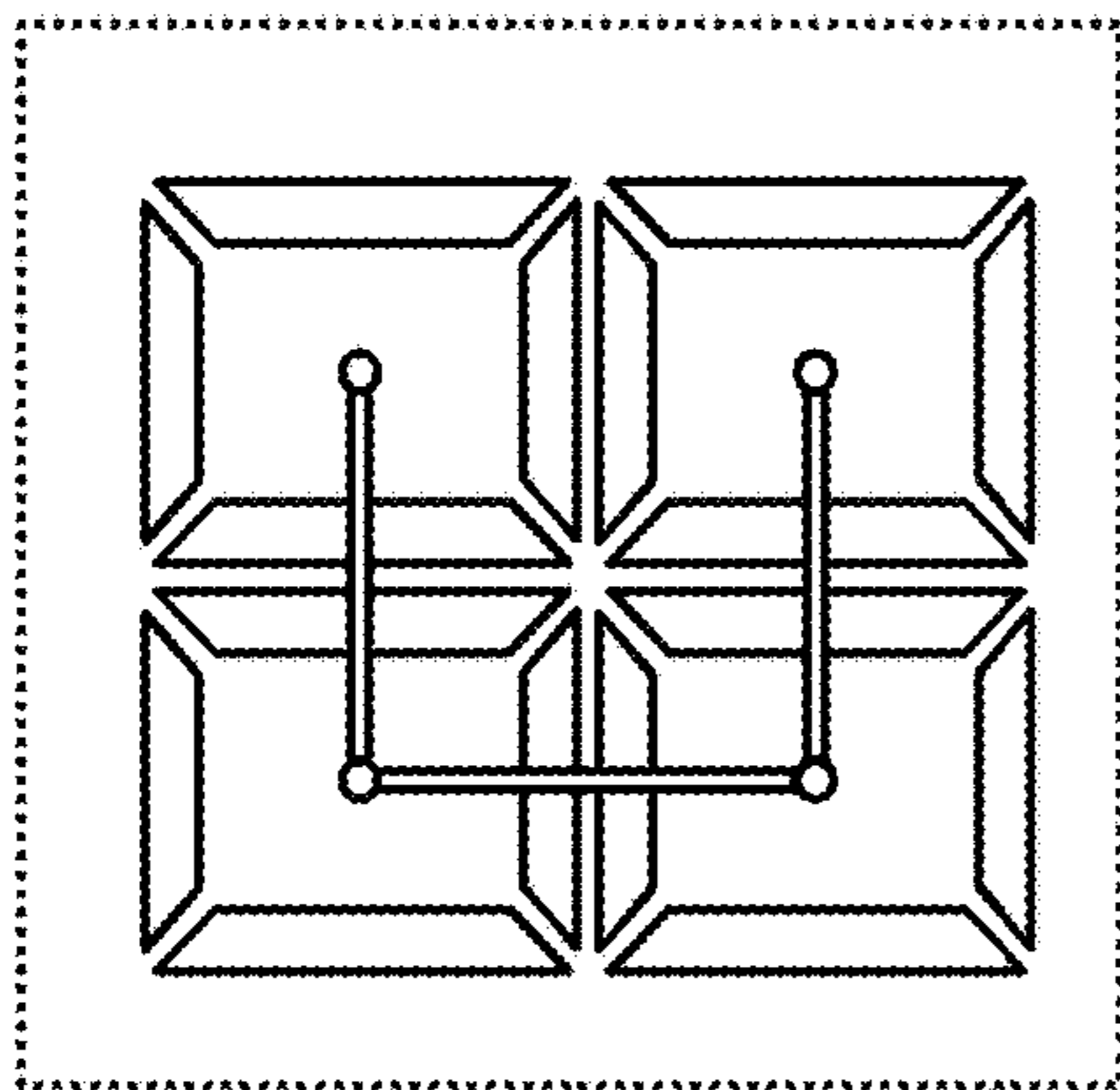


FIG 3

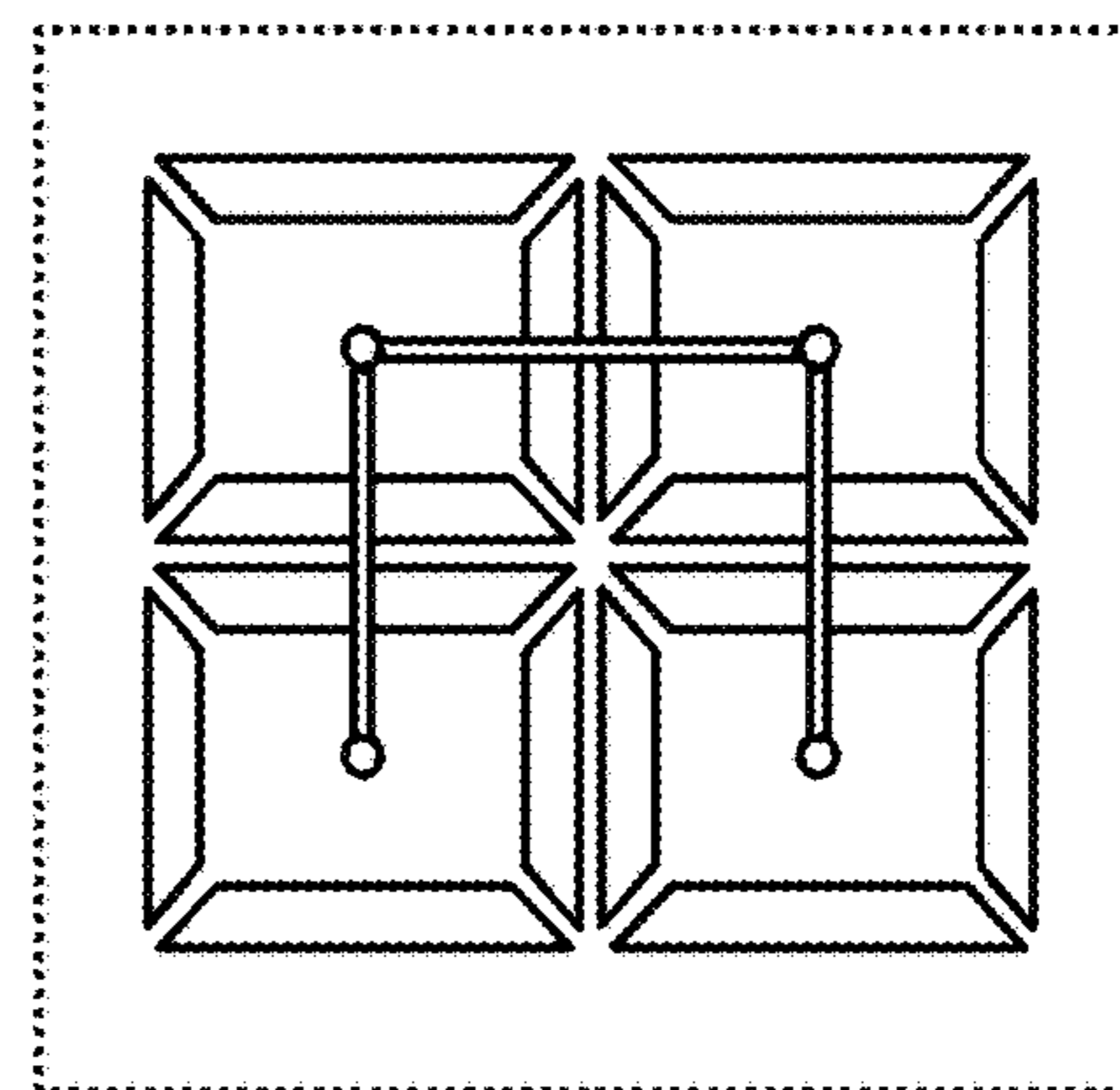


FIG 4

FIG 5

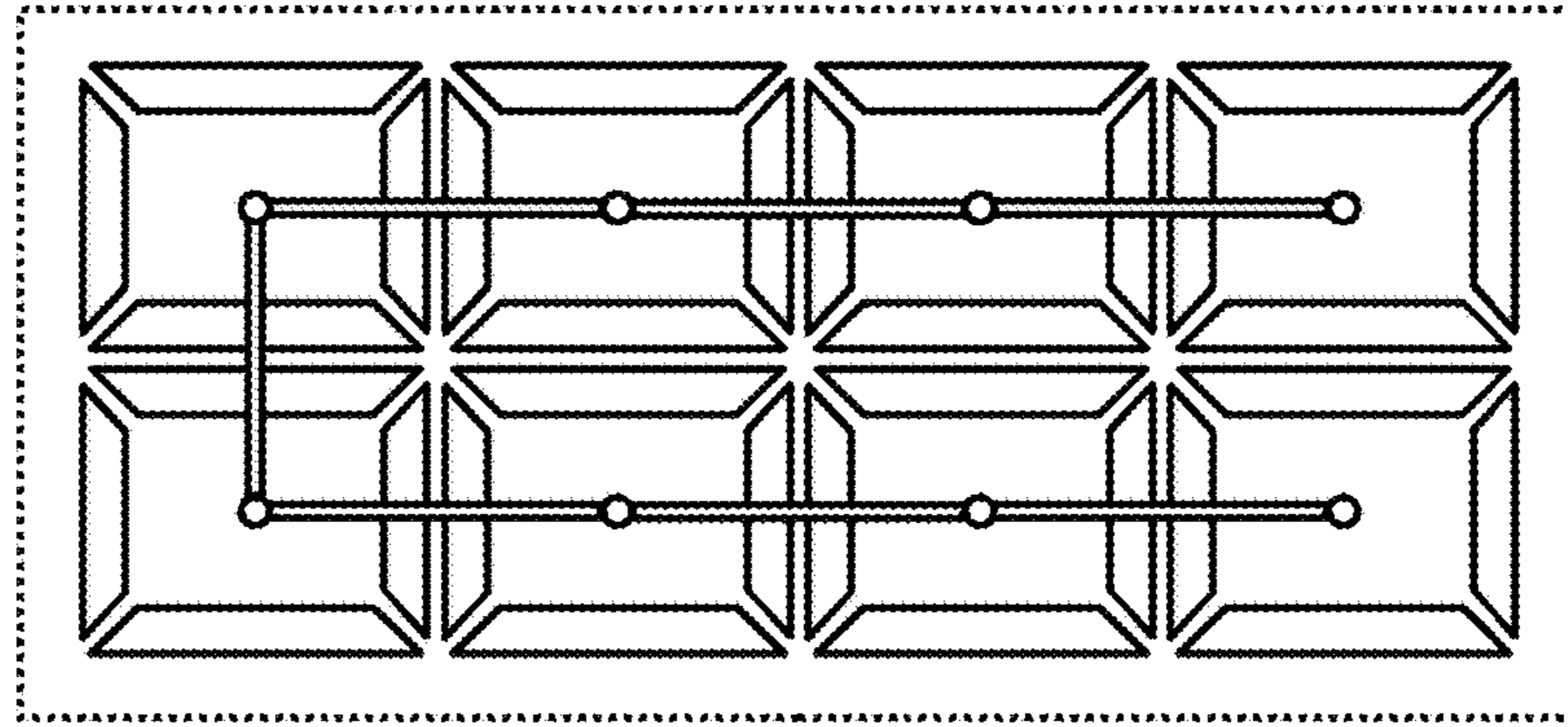


FIG 6

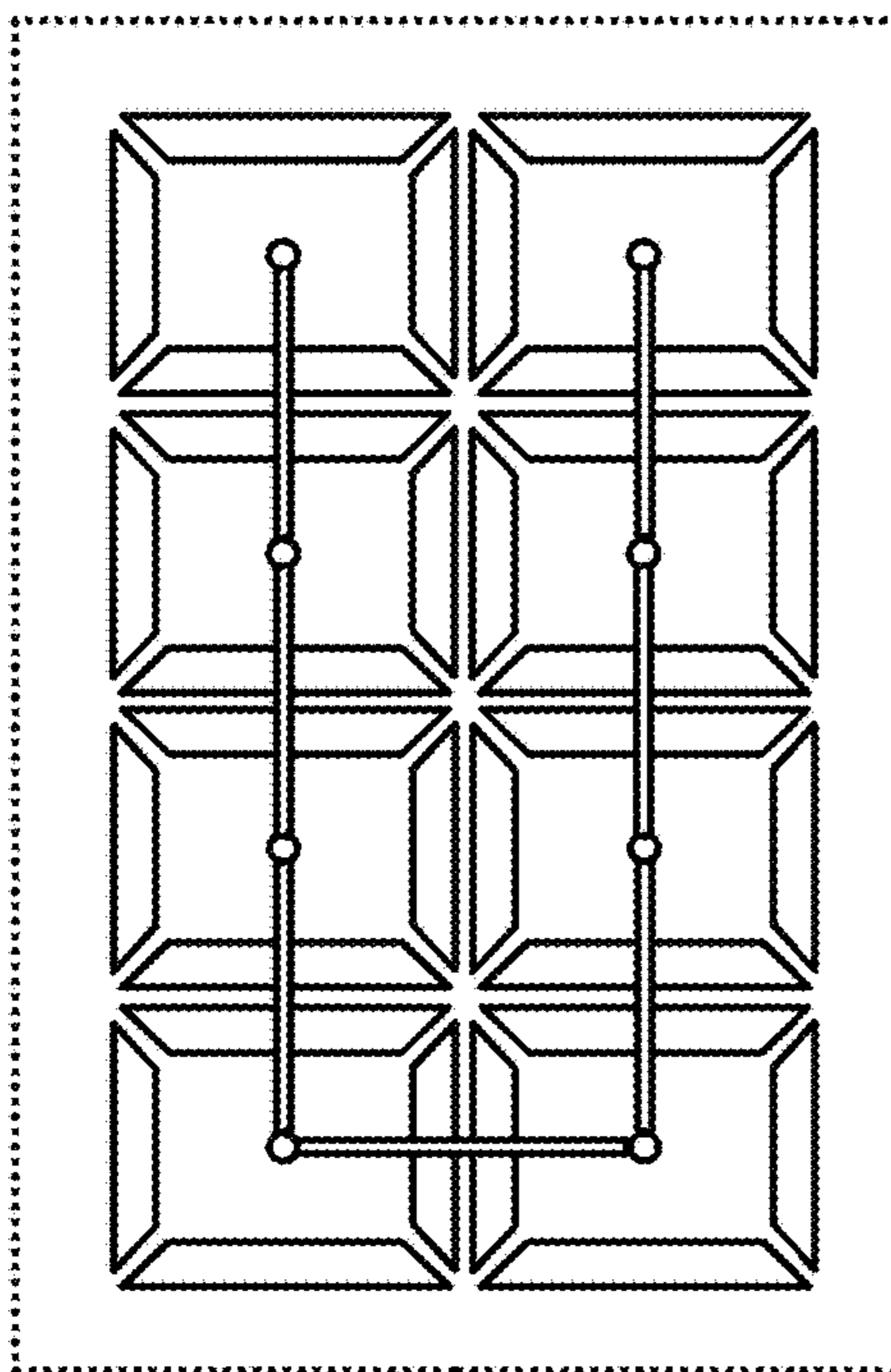
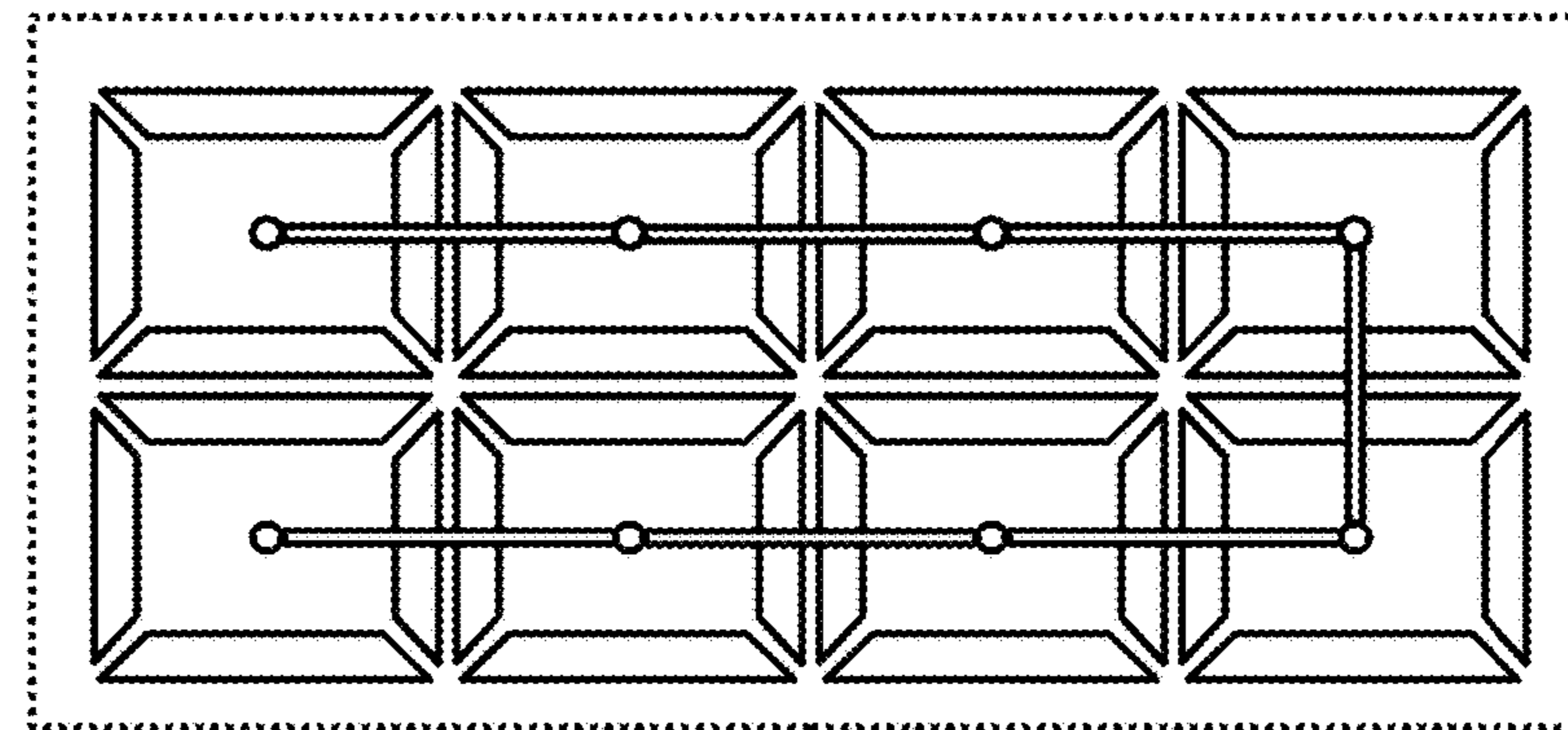


FIG 7

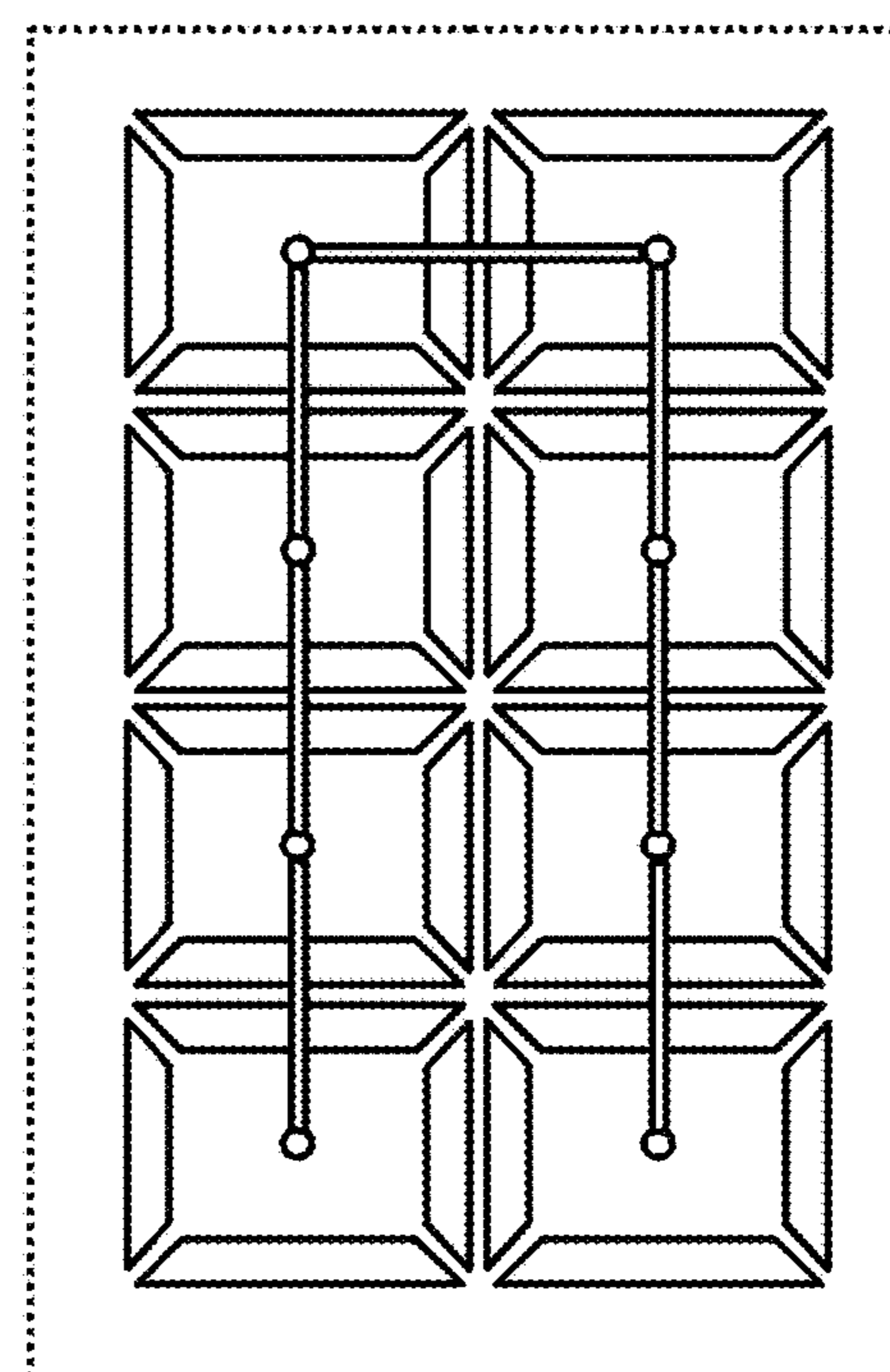


FIG 8