



US00D813881S

(12) **United States Design Patent** (10) **Patent No.:** **US D813,881 S**  
**Davis** (45) **Date of Patent:** **\*\* Mar. 27, 2018**

(54) **DISPLAY SCREEN WITH ANIMATED  
PLAYLIST GRAPHICAL USER INTERFACE  
WITH A HIGHLIGHTED SECTION**

(71) Applicant: **Kenneth Davis**, Ruidoso, NM (US)

(72) Inventor: **Kenneth Davis**, Ruidoso, NM (US)

(\*\*) Term: **15 Years**

(21) Appl. No.: **29/562,543**

(22) Filed: **Apr. 26, 2016**

**Related U.S. Application Data**

(62) Division of application No. 29/537,515, filed on Aug. 26, 2015, now Pat. No. Des. 754,716.

(51) **LOC (11) Cl.** ..... **14-04**

(52) **U.S. Cl.**  
USPC ..... **D14/485**

(58) **Field of Classification Search**  
USPC ..... D14/485-495  
CPC .. G06F 3/048; G06F 3/04842; G06F 3/04847;  
G06F 3/0481; G06F 17/211; G06F  
17/212  
See application file for complete search history.

(56) **References Cited**

**U.S. PATENT DOCUMENTS**

2,094,894	A *	10/1937	Johnson	.....	B24D 9/04 451/496
2,131,676	A *	9/1938	Seifert	.....	A46B 7/04 15/104.16
2,225,101	A *	12/1940	Conk	.....	A47L 1/08 15/244.1
2,853,838	A *	9/1958	Richards	.....	B24B 41/002 451/358
3,003,505	A *	10/1961	Otto	.....	A45D 2/2435 132/251
4,571,769	A *	2/1986	Ford	.....	A45D 34/041 15/104.94

(Continued)

*Primary Examiner* — Darlington Ly  
*Assistant Examiner* — Daniel J Domino  
(74) *Attorney, Agent, or Firm* — John G. Fischer, Esq.;  
Scheef & Stone, L.L.P.

(57) **CLAIM**

The ornamental design for a display screen with animated playlist graphical user interface, as shown and described.

**DESCRIPTION**

FIG. 1 is a front view of a first image of a display screen with animated playlist graphical user interface with a highlighted section;

FIG. 2 is a second image thereof wherein the graphical user interface has been rotated;

FIG. 3 is a third image thereof wherein the graphical user interface has been further rotated;

FIG. 4 is a fourth image thereof wherein the graphical user interface has been further rotated; and,

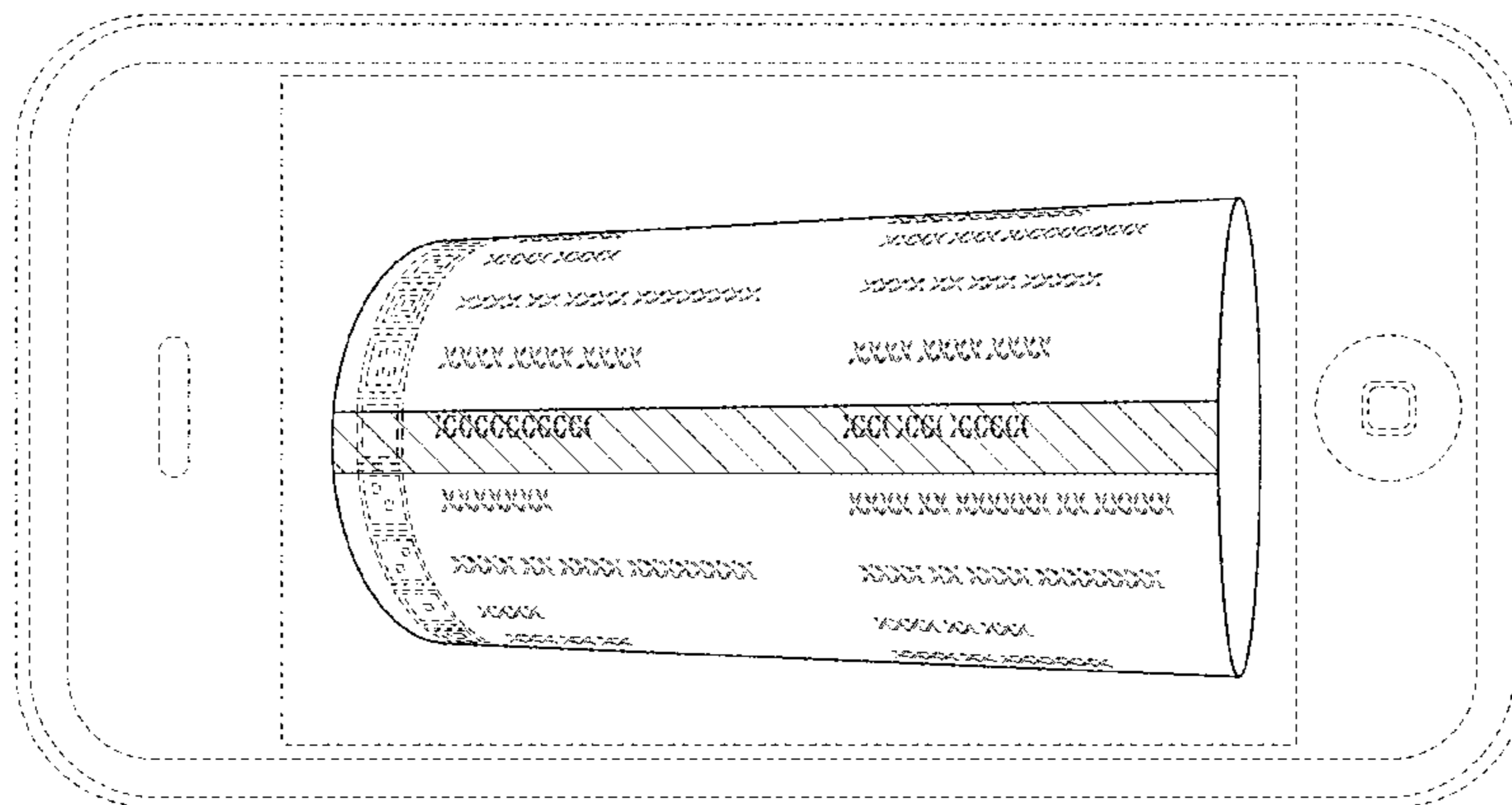
FIG. 5 is a fifth image thereof wherein the graphical user interface has been further rotated.

The graphical user interface transitions sequentially in a scrolling manner among the images shown. The process or period in which one image transitions to another otherwise forms no part of the claimed design.

The broken lines showing an electronic device illustrate environmental subject matter, whereas the broken lines showing a display screen and elements of the graphical user interface illustrate portions of the article. No subject matter depicted in broken lines form part of the claimed design. Crosshatching lines illustrate a highlighted section of the display screen.

The legend shown adjacent to FIG. 1 is only provided for understanding the location of the highlighted section of the display screen in each of the figures, and does not form part of the claimed design.

**1 Claim, 5 Drawing Sheets**



Legend



(56)

References Cited

U.S. PATENT DOCUMENTS

5,419,087 A \* 5/1995 Haddy ..... B24D 9/04  
451/344  
5,870,092 A \* 2/1999 Bedford-Roberts G06F 15/0225  
345/173  
5,898,434 A \* 4/1999 Small ..... G06F 3/0481  
715/810  
D469,442 S \* 1/2003 Bohlen, Jr. .... D14/485  
D479,531 S \* 9/2003 Yanagida ..... D14/486  
6,880,132 B2 \* 4/2005 Uemura ..... G06F 3/04815  
707/E17.102  
D519,515 S \* 4/2006 Mugura ..... D14/485  
D553,146 S \* 10/2007 Byeon ..... D14/486  
D555,663 S \* 11/2007 Nagata ..... D14/488  
D569,871 S \* 5/2008 Anastasopoulos ..... D14/485  
7,386,799 B1 \* 6/2008 Clanton ..... A63F 13/12  
715/753  
7,479,949 B2 \* 1/2009 Jobs ..... G06F 3/0488  
345/169  
7,543,245 B2 \* 6/2009 Irimajiri ..... G06F 3/0482  
715/765  
7,581,195 B2 \* 8/2009 Sciammarella ..... G06F 3/0481  
345/428  
D622,283 S \* 8/2010 Van Os ..... D14/486  
D640,274 S \* 6/2011 Arnold ..... D14/487  
7,988,553 B2 \* 8/2011 Kastner ..... G06Q 10/0637  
235/379  
D648,735 S \* 11/2011 Arnold ..... D14/486  
D658,676 S \* 5/2012 Gleasman ..... D14/488  
D658,677 S \* 5/2012 Gleasman ..... D14/488  
D661,702 S \* 6/2012 Asai ..... D14/488  
D662,942 S \* 7/2012 Trabona ..... D14/488  
D664,555 S \* 7/2012 Gleasman ..... D14/487

D664,561 S \* 7/2012 Gleasman ..... D14/488  
D664,973 S \* 8/2012 Gleasman ..... D14/486  
D664,984 S \* 8/2012 Lee ..... D14/488  
D664,987 S \* 8/2012 Gleasman ..... D14/488  
D664,988 S \* 8/2012 Gleasman ..... D14/488  
D664,992 S \* 8/2012 Pizzutelli ..... D14/492  
D665,418 S \* 8/2012 Pizzutelli ..... D14/492  
D668,262 S \* 10/2012 Gleasman ..... D14/488  
D668,671 S \* 10/2012 Zaman ..... D14/488  
D705,250 S \* 5/2014 Khanna ..... D14/488  
D705,801 S \* 5/2014 Kerr ..... D14/488  
D705,802 S \* 5/2014 Kerr ..... D14/488  
D718,781 S \* 12/2014 Arnold ..... D14/486  
D720,770 S \* 1/2015 Lacour ..... D14/487  
D720,771 S \* 1/2015 Lacour ..... D14/487  
D721,722 S \* 1/2015 Lee ..... D14/486  
D725,670 S \* 3/2015 Zhang ..... D14/488  
D754,716 S \* 4/2016 Davis ..... D14/487  
2004/0100479 A1 \* 5/2004 Nakano ..... G06F 1/1626  
715/700  
2004/0145603 A1 \* 7/2004 Soares ..... G06F 17/30017  
715/730  
2009/0007017 A1 \* 1/2009 Anzures ..... G06F 3/04883  
715/835  
2010/0023858 A1 \* 1/2010 Ryu ..... G06F 3/0416  
715/702  
2010/0205541 A1 \* 8/2010 Rapaport ..... G06Q 10/10  
715/753  
2011/0035663 A1 \* 2/2011 Moon ..... G06F 3/0488  
715/702  
2011/0107223 A1 \* 5/2011 Tilton ..... G06Q 10/10  
715/730  
2012/0047463 A1 \* 2/2012 Park ..... G06F 3/0482  
715/810

\* cited by examiner

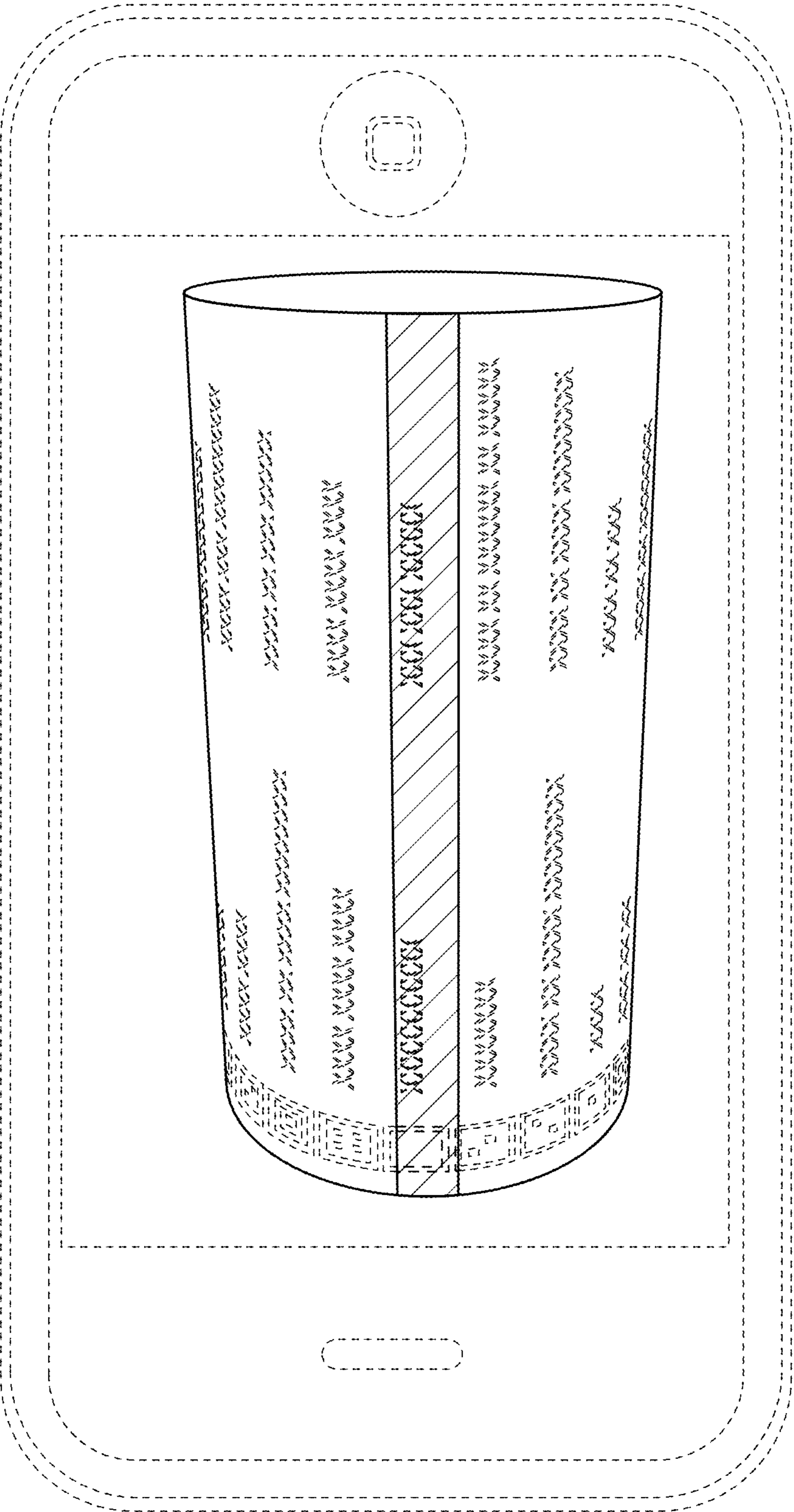
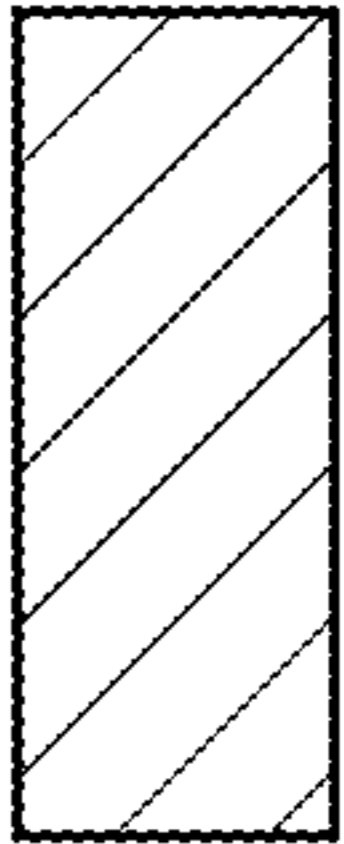


FIG. 1

Legend



Highlighted Section



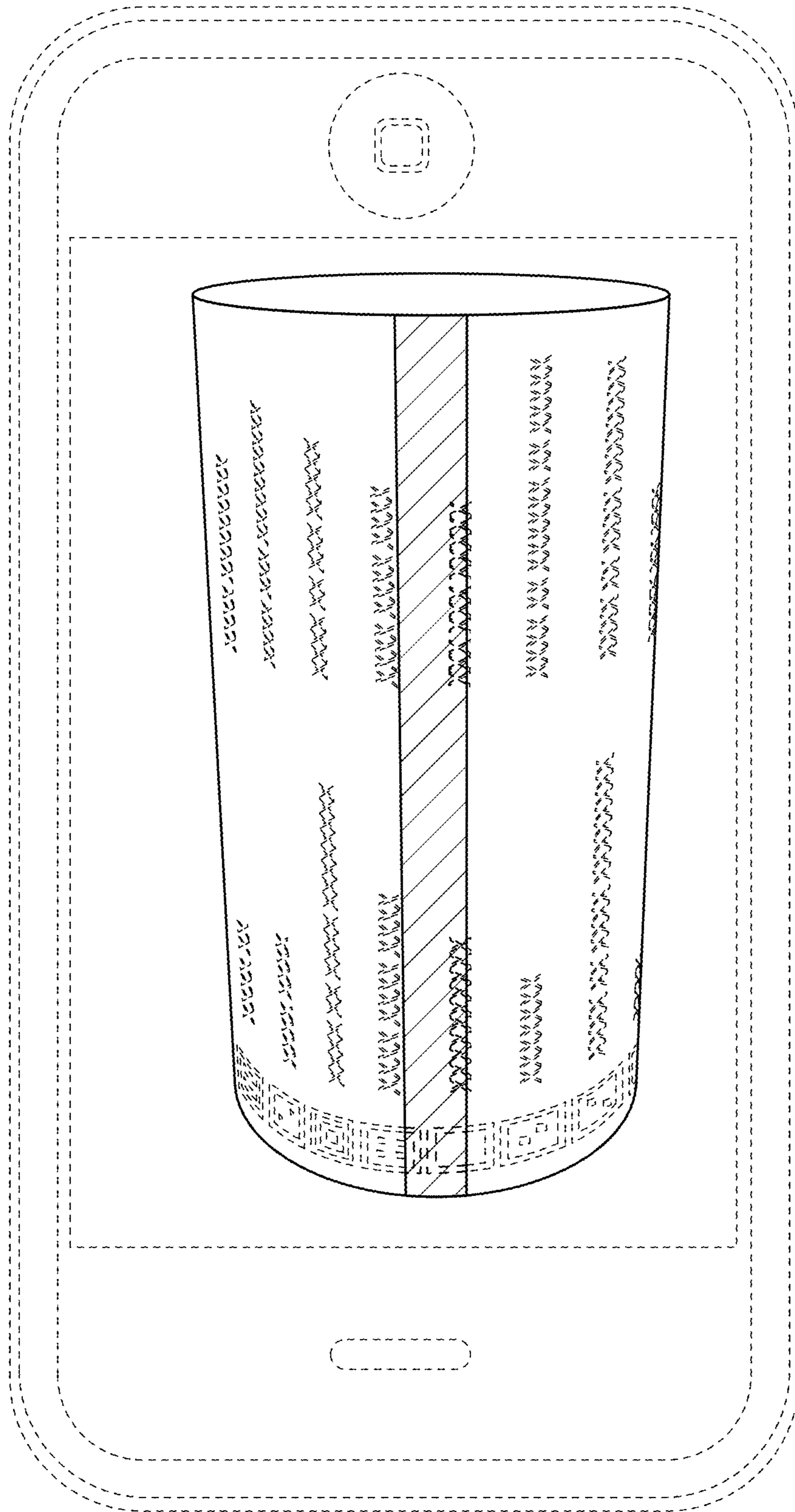


FIG. 2

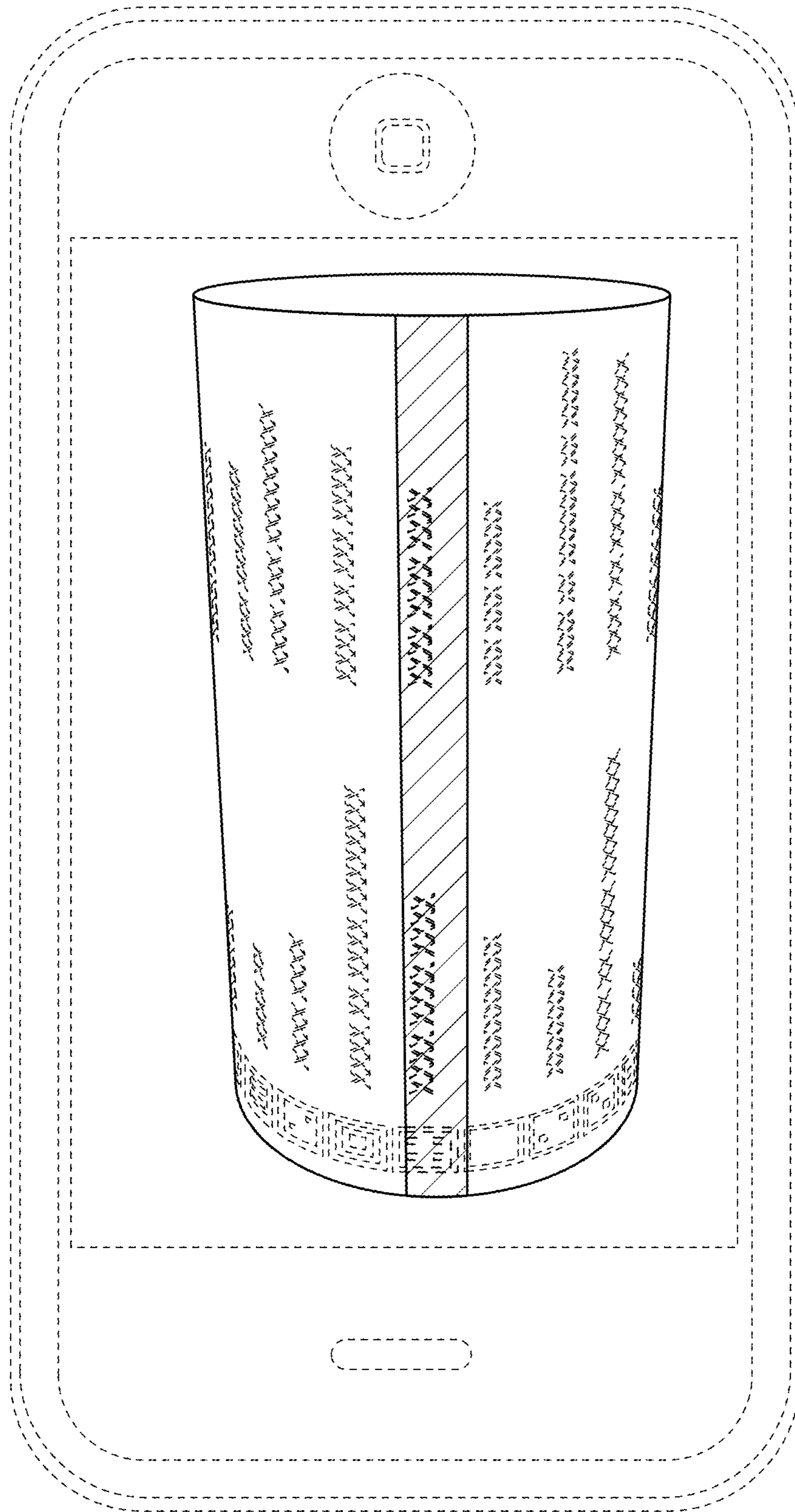


FIG. 3

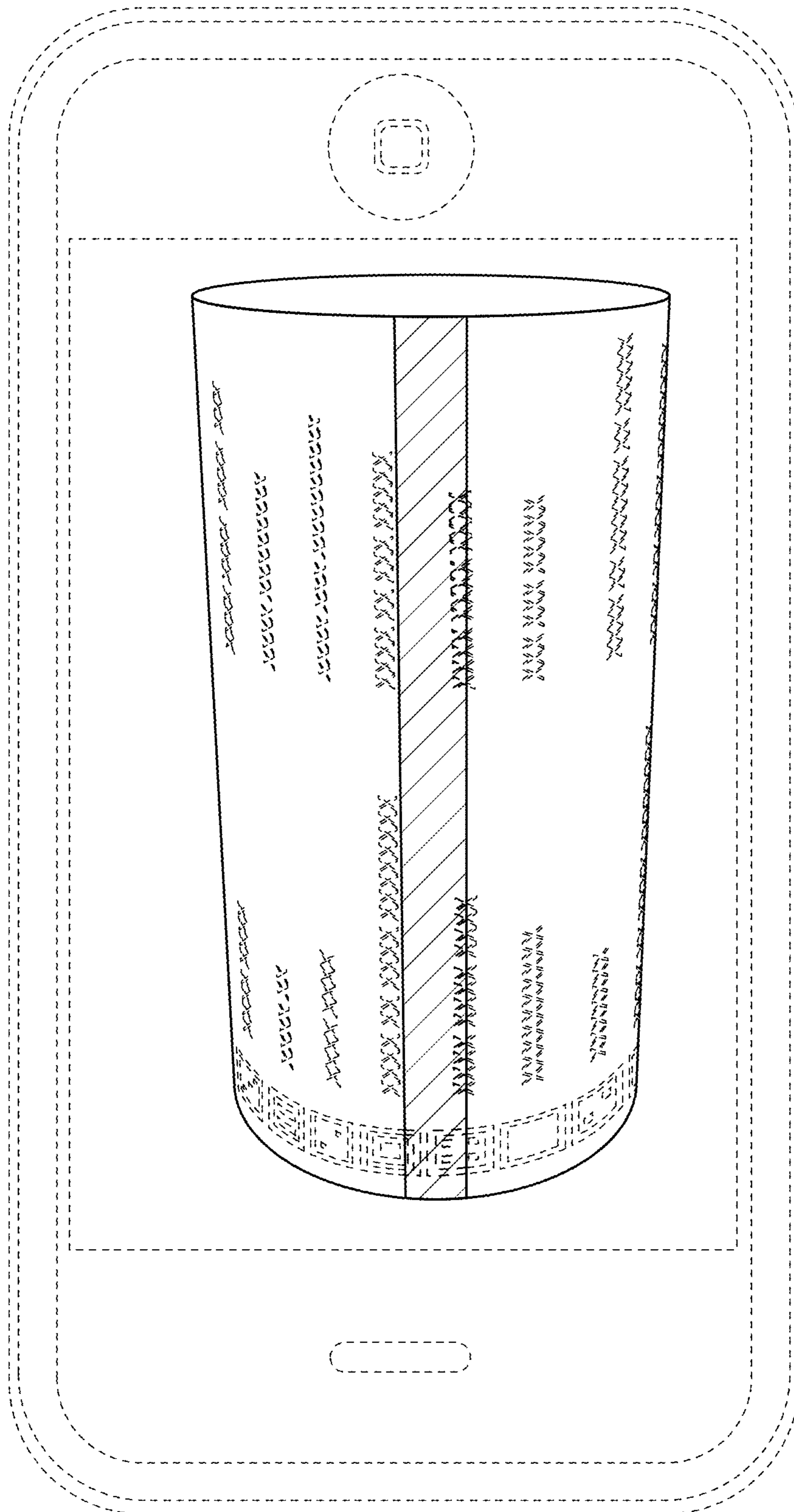


FIG. 4

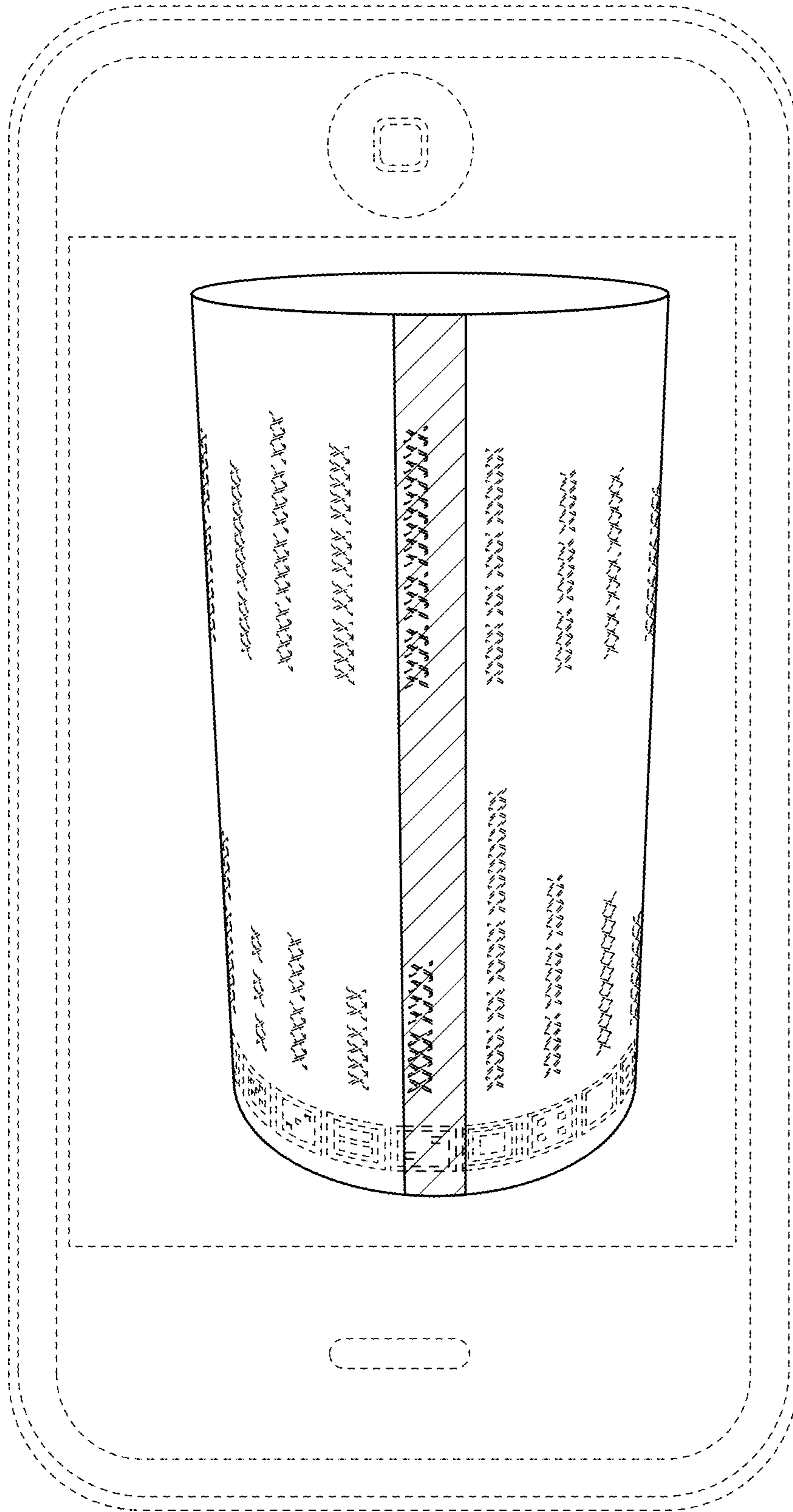


FIG. 5