



US00D813880S

(12) **United States Design Patent**
Davis

(10) **Patent No.:** **US D813,880 S**
(45) **Date of Patent:** **** Mar. 27, 2018**

(54) **DISPLAY SCREEN WITH ANIMATED
PLAYLIST GRAPHICAL USER INTERFACE**

(71) Applicant: **Kenneth Davis**, Ruidoso, NM (US)

(72) Inventor: **Kenneth Davis**, Ruidoso, NM (US)

(**) Term: **15 Years**

(21) Appl. No.: **29/562,541**

(22) Filed: **Apr. 26, 2016**

Related U.S. Application Data

(62) Division of application No. 29/537,515, filed on Aug. 26, 2015, now Pat. No. Des. 754,716.

(51) **LOC (11) Cl.** **14-04**

(52) **U.S. Cl.**
USPC **D14/485**

(58) **Field of Classification Search**
USPC D14/485-495
CPC .. G06F 3/048; G06F 3/04842; G06F 3/04847;
G06F 3/0481; G06F 17/211; G06F
17/212
See application file for complete search history.

(56) **References Cited**

U.S. PATENT DOCUMENTS

- 2,094,894 A * 10/1937 Johnson B24D 9/04
451/496
- 2,131,676 A * 9/1938 Seifert A46B 7/04
15/104.16
- 2,225,101 A * 12/1940 Conk A47L 1/08
15/244.1
- 2,853,838 A * 9/1958 Richards B24B 41/002
451/358
- 3,003,505 A * 10/1961 Otto A45D 2/2435
132/251
- 4,571,769 A * 2/1986 Ford A45D 34/041
15/104.94

- 5,419,087 A * 5/1995 Haddy B24D 9/04
451/344
- 5,870,092 A * 2/1999 Bedford-
Roberts G06F 15/0225
345/173
- 5,898,434 A * 4/1999 Small G06F 3/0481
715/810
- D469,442 S * 1/2003 Bohlen, Jr. D14/485
- D479,531 S * 9/2003 Yanagida D14/486

(Continued)

Primary Examiner — Darlington Ly

Assistant Examiner — Daniel J Domino

(74) *Attorney, Agent, or Firm* — John G. Fischer, Esq.;
Scheef & Stone, L.L.P.

(57) **CLAIM**

The ornamental design for a display screen with animated playlist graphical user interface, as shown and described.

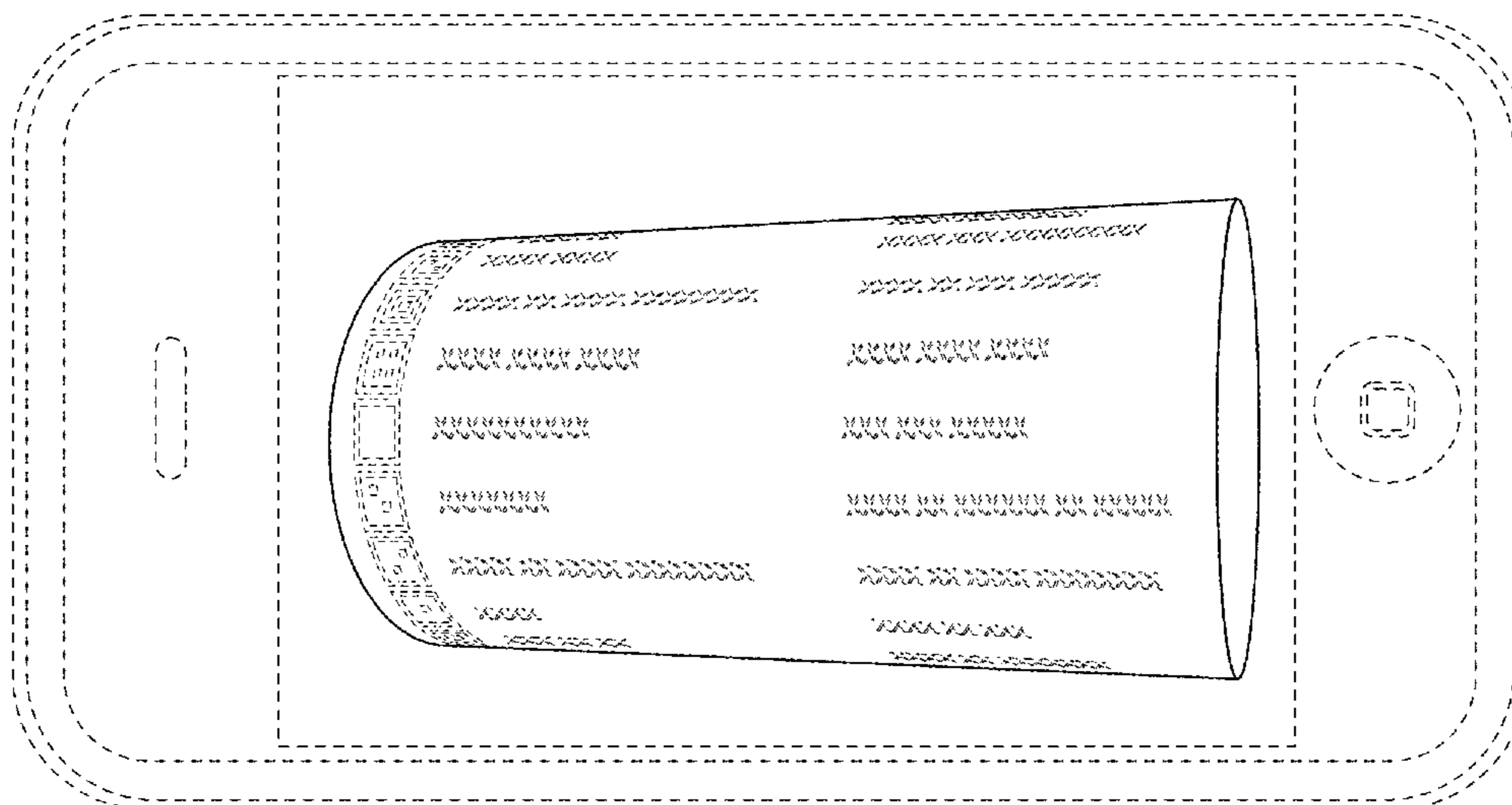
DESCRIPTION

FIG. 1 is a front view of a first image of a display screen with animated playlist graphical user interface;
FIG. 2 is a second image thereof wherein the graphical user interface has been rotated;
FIG. 3 is a third image thereof wherein the graphical user interface has been further rotated;
FIG. 4 is a fourth image thereof wherein the graphical user interface has been further rotated; and,
FIG. 5 is a fifth image thereof wherein the graphical user interface has been further rotated.

The graphical user interface transitions sequentially in a scrolling manner among the images shown. The process or period in which one image transitions to another otherwise forms no part of the claimed design.

The broken lines showing an electronic device illustrate environmental subject matter, whereas the broken lines showing a display screen and elements of the graphical user interface illustrate portions of the article. No subject matter depicted in broken lines form part of the claimed design.

1 Claim, 5 Drawing Sheets



(56)

References Cited

U.S. PATENT DOCUMENTS

6,880,132 B2 *	4/2005	Uemura	G06F 3/04815	D664,988 S *	8/2012	Gleasant	D14/488
				707/E17.102	D664,992 S *	8/2012	Pizzutelli	D14/492
D519,515 S *	4/2006	Mugura	D14/485	D665,418 S *	8/2012	Pizzutelli	D14/488
D553,146 S *	10/2007	Byeon	D14/486	D668,262 S *	10/2012	Gleasant	D14/488
D555,663 S *	11/2007	Nagata	D14/488	D668,671 S *	10/2012	Zaman	D14/488
D569,871 S *	5/2008	Anastasopoulos	D14/485	D705,250 S *	5/2014	Khanna	D14/488
7,386,799 B1 *	6/2008	Clanton	A63F 13/12	D705,801 S *	5/2014	Kerr	D14/488
				715/753	D705,802 S *	5/2014	Kerr	D14/488
7,479,949 B2 *	1/2009	Jobs	G06F 3/0488	D718,781 S *	12/2014	Arnold	D14/486
				345/169	D720,770 S *	1/2015	Lacour	D14/487
7,543,245 B2 *	6/2009	Irimajiri	G06F 3/0482	D720,771 S *	1/2015	Lacour	D14/487
				715/765	D721,722 S *	1/2015	Lee	D14/486
7,581,195 B2 *	8/2009	Sciammarella	G06F 3/0481	D725,670 S *	3/2015	Zhang	D14/488
				345/428	D754,716 S *	4/2016	Davis	D14/487
D622,283 S *	8/2010	Van Os	D14/486	2004/0100479 A1 *	5/2004	Nakano	G06F 1/1626
D640,274 S *	6/2011	Arnold	D14/487					715/700
7,988,553 B2 *	8/2011	Kastner	G06Q 10/0637	2004/0145603 A1 *	7/2004	Soares	G06F 17/30017
				235/379					715/730
D648,735 S *	11/2011	Arnold	D14/486	2009/0007017 A1 *	1/2009	Anzures	G06F 3/04883
D658,676 S *	5/2012	Gleasant	D14/488					715/835
D658,677 S *	5/2012	Gleasant	D14/488	2010/0023858 A1 *	1/2010	Ryu	G06F 3/0416
D661,702 S *	6/2012	Asai	D14/488					715/702
D662,942 S *	7/2012	Trabona	D14/488	2010/0205541 A1 *	8/2010	Rapaport	G06Q 10/10
D664,555 S *	7/2012	Gleasant	D14/487					715/753
D664,561 S *	7/2012	Gleasant	D14/488	2011/0035663 A1 *	2/2011	Moon	G06F 3/0488
D664,973 S *	8/2012	Gleasant	D14/486					715/702
D664,984 S *	8/2012	Lee	D14/488	2011/0107223 A1 *	5/2011	Tilton	G06Q 10/10
D664,987 S *	8/2012	Gleasant	D14/488					715/730
					2012/0047463 A1 *	2/2012	Park	G06F 3/0482
									715/810

* cited by examiner

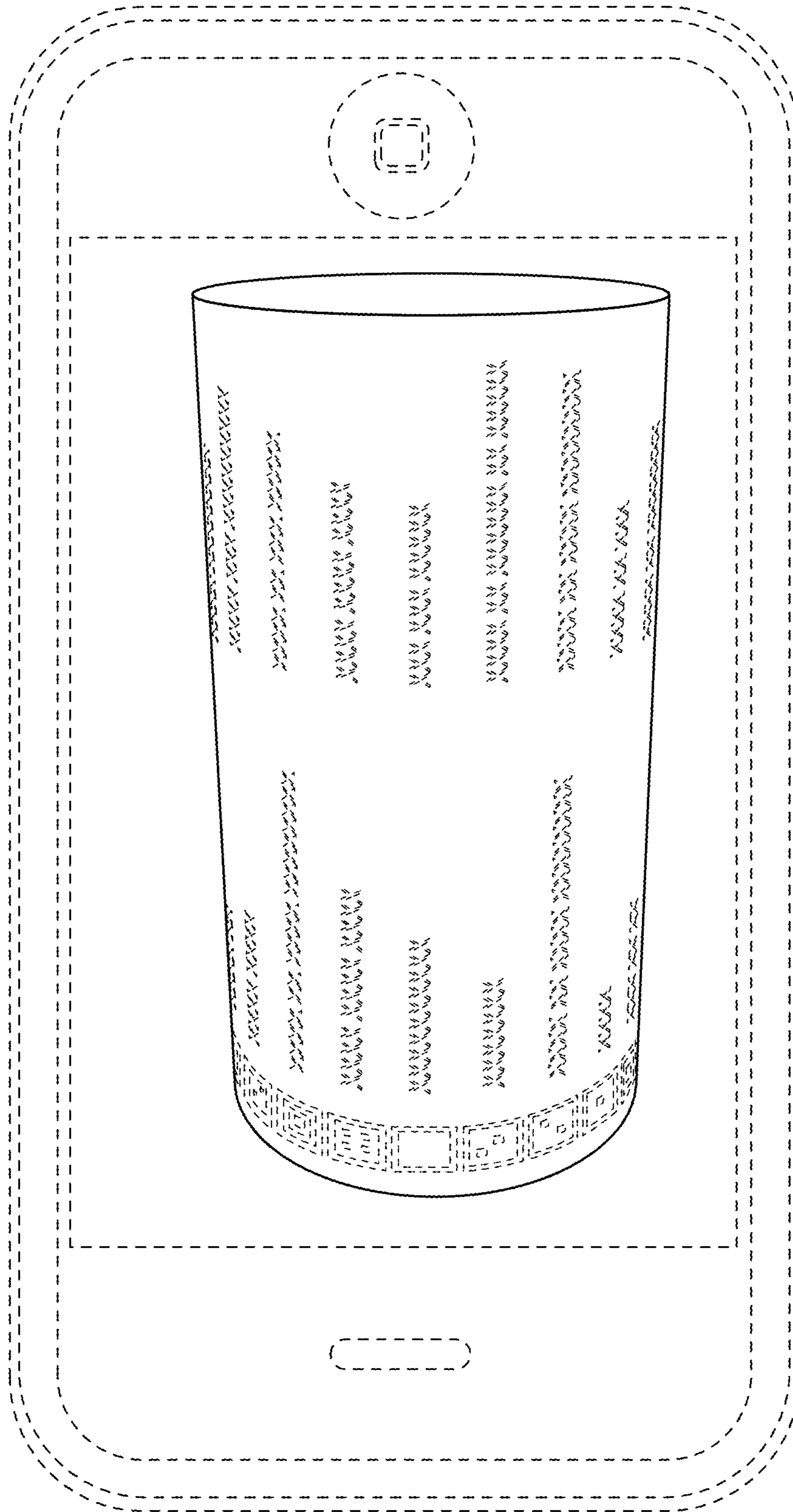


FIG. 1

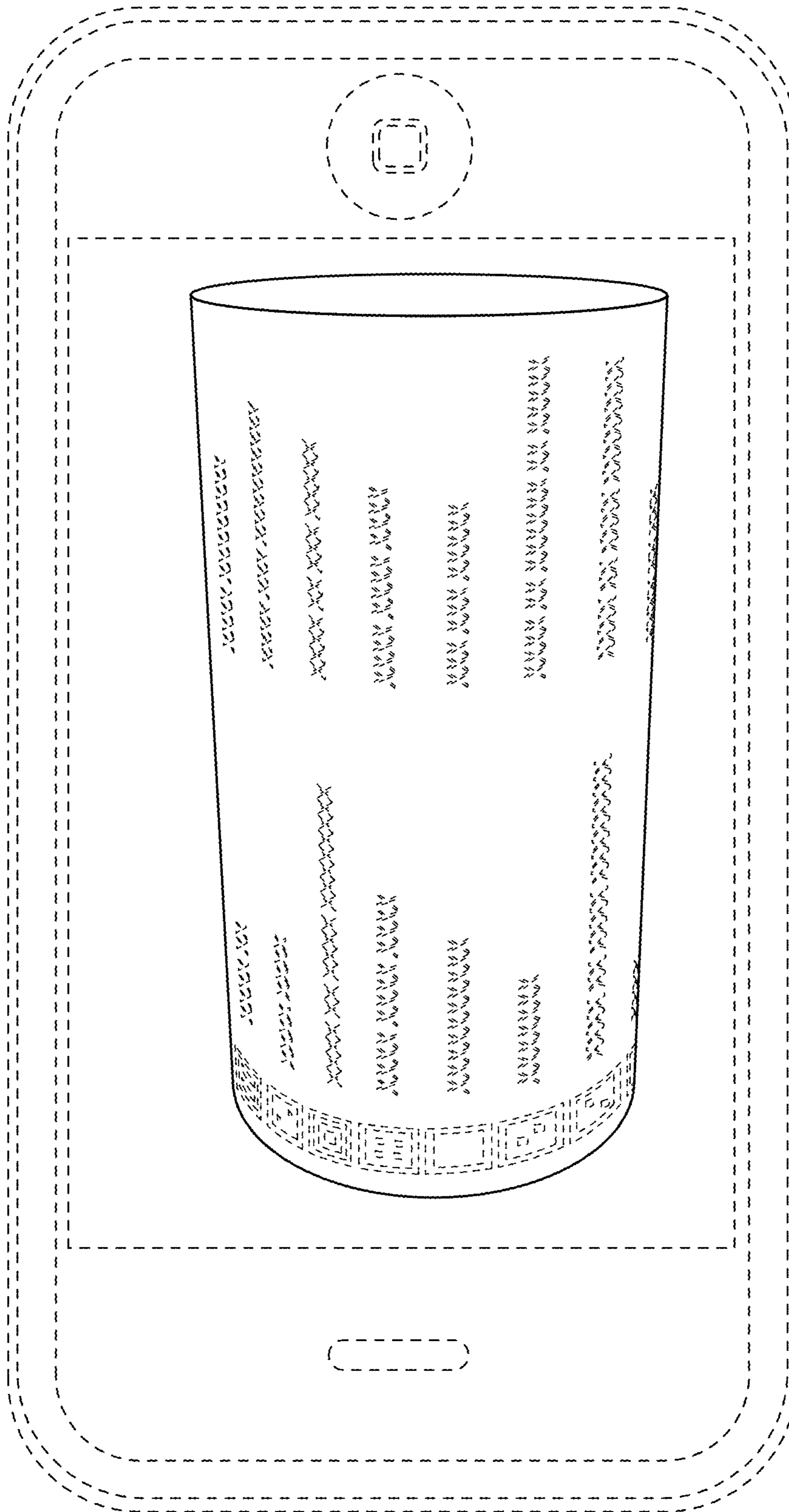


FIG. 2

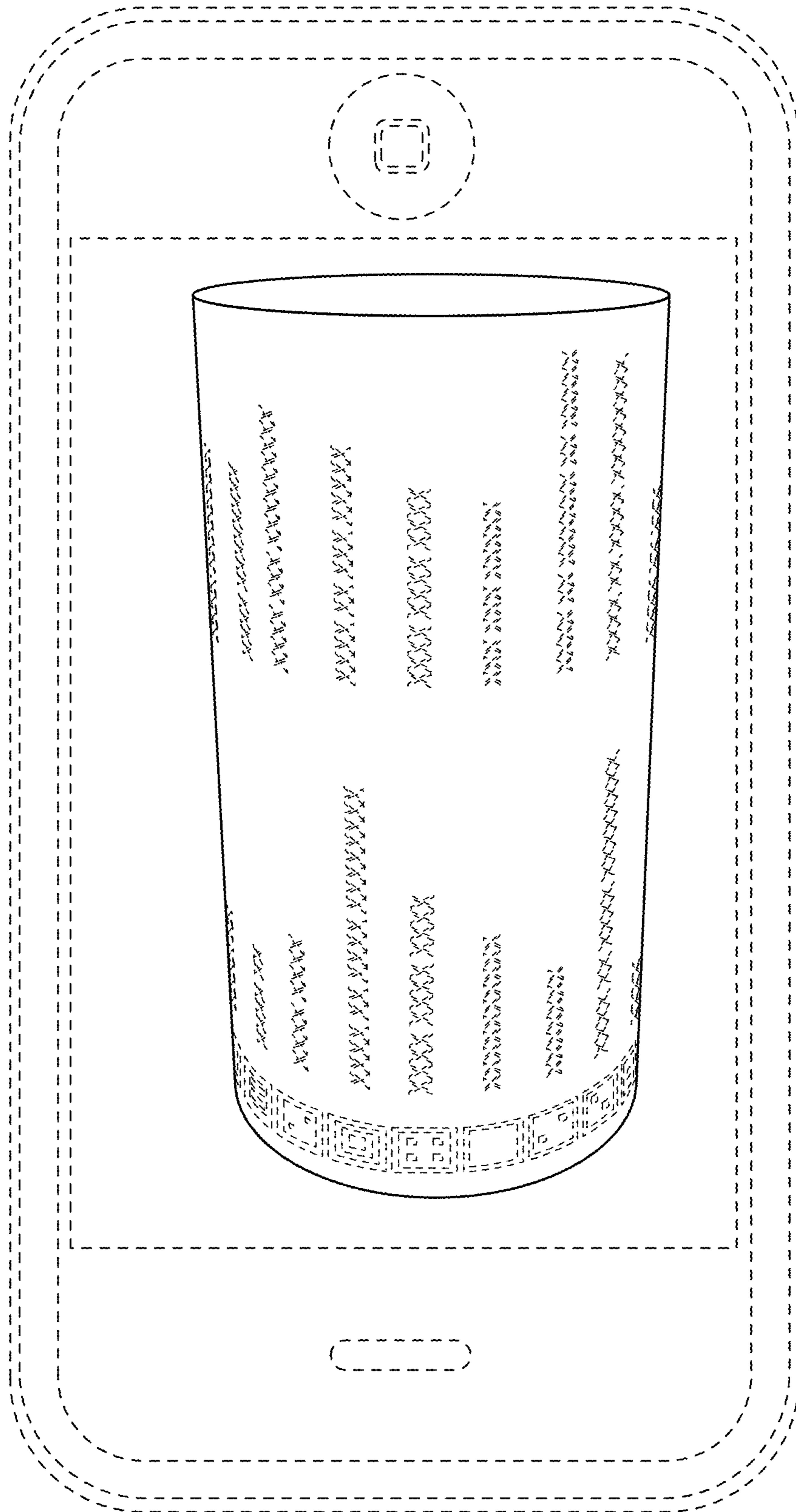


FIG. 3

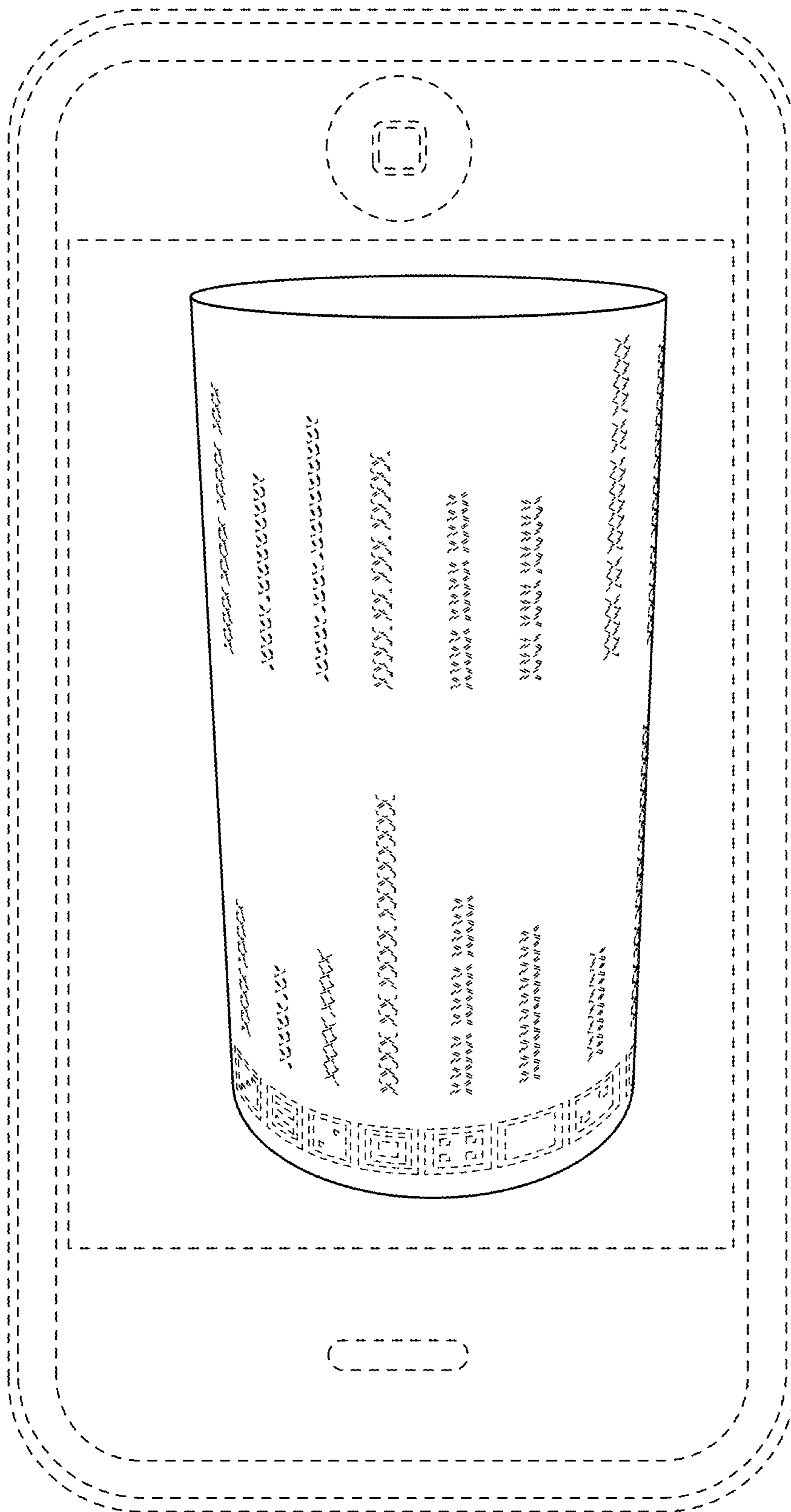


FIG. 4

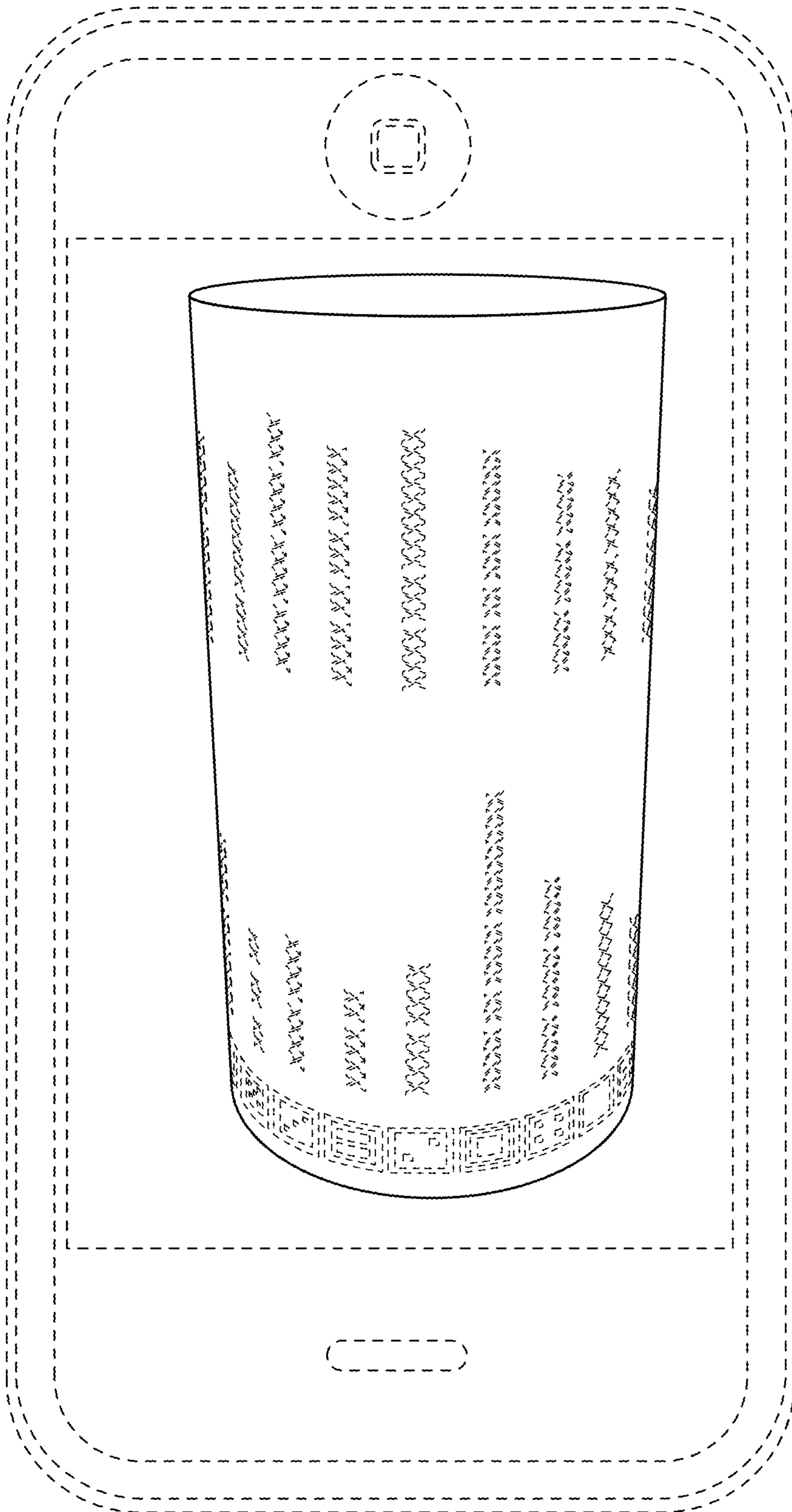


FIG. 5