



US00D813873S

(12) **United States Design Patent**  
**Pathak et al.**

(10) **Patent No.:** **US D813,873 S**  
(45) **Date of Patent:** **\*\* Mar. 27, 2018**

(54) **ELECTRONIC CONNECTOR FOR CHARGING OR DATA TRANSFER**

(71) Applicant: **Verily Life Sciences LLC**, Mountain View, CA (US)

(72) Inventors: **Anupam J. Pathak**, Mountain View, CA (US); **John A. Redmond**, San Francisco, CA (US); **Shannon C. Fong**, San Francisco, CA (US)

(73) Assignee: **Verily Life Sciences LLC**, Mountain View, CA (US)

(\*\*) Term: **15 Years**

(21) Appl. No.: **29/594,593**

(22) Filed: **Feb. 21, 2017**

(51) **LOC (11) Cl.** ..... **14-02**

(52) **U.S. Cl.**  
USPC ..... **D14/433**

(58) **Field of Classification Search**  
USPC ..... D14/240, 242, 356, 358, 363, 365, 367, D14/370, 432-437, 439, 498, 125, 366, D14/168, 496; D13/147, 164, 123, 133, D13/146, 110, 199, 103, 162, 159, 160, D13/184; 361/683, 684, 686, 724, 735, 361/737, 752; D18/40  
CPC .... H01R 25/006; H01R 27/02; H01R 31/005; G06F 13/4022; G06F 13/382; G06F 1/1632; G06F 1/1684; G06F 1/20; G06F 1/1607  
See application file for complete search history.

(56) **References Cited**

**U.S. PATENT DOCUMENTS**

1,685,608 A	9/1928	Lipschutz
5,080,594 A	1/1992	Swinford
5,567,175 A	10/1996	Warden et al.
5,751,135 A	5/1998	Fukushima et al.
D416,233 S	11/1999	Tsai

6,296,526 B1	10/2001	Hussaini et al.	
D468,265 S	1/2003	Cook	
D484,137 S *	12/2003	Wikel	D13/133
7,028,202 B2	4/2006	Long et al.	
7,484,972 B1	2/2009	Kuo et al.	
7,972,167 B2	7/2011	Amit et al.	
D709,504 S *	7/2014	Breines	D14/433
D727,907 S *	4/2015	Higashi	D14/433

(Continued)

**OTHER PUBLICATIONS**

Notice of Allowance dated Nov. 24, 2017 for U.S. Appl. No. 15/625,841, 9 pages.

*Primary Examiner* — Austin Murphy

(74) *Attorney, Agent, or Firm* — Christensen O'Connor Johnson Kindness PLLC

(57) **CLAIM**

The ornamental design of an electronic connector for charging or data transfer, as shown and described.

**DESCRIPTION**

FIG. 1 is a top side, perspective view of an electronic connector for charging or data transfer in accordance with an embodiment.

FIG. 2 is a bottom side, perspective view thereof.

FIG. 3 is a top, plan view thereof.

FIG. 4 is a bottom, plan view thereof.

FIG. 5 is a left side, elevation view thereof.

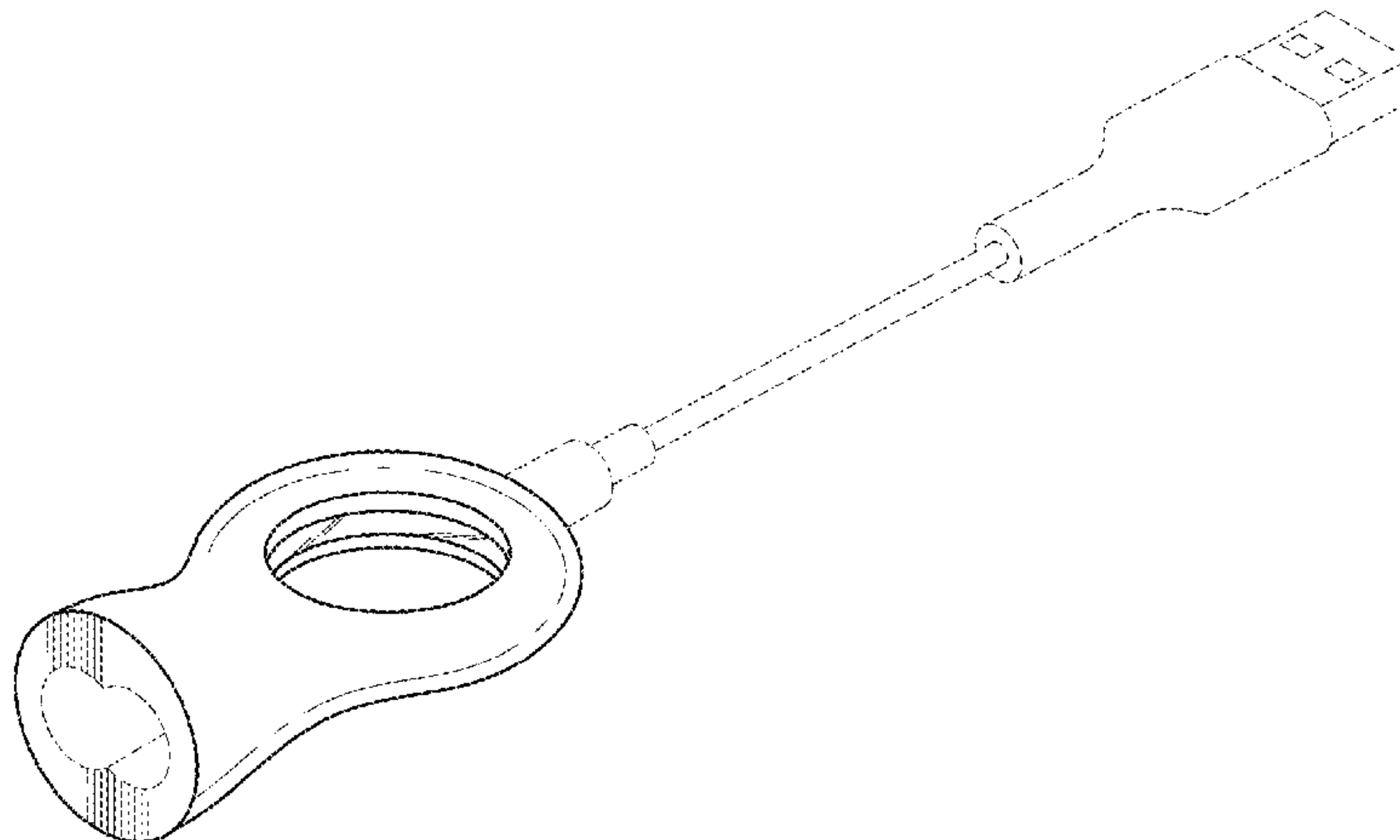
FIG. 6 is a right side, elevation view thereof.

FIG. 7 is a front, elevation view thereof; and,

FIG. 8 is a rear, elevation view thereof.

All portions of the drawings shown in dashed lines are for illustrative purposes only and form no part of the claimed design. FIGS. 1 and 2 illustrate ornamental aspects of a light ring disposed around the inside perimeter of the hole through the claimed base of the electronic connector for charging or data transfer that ornamentally illuminates when powered.

**1 Claim, 4 Drawing Sheets**



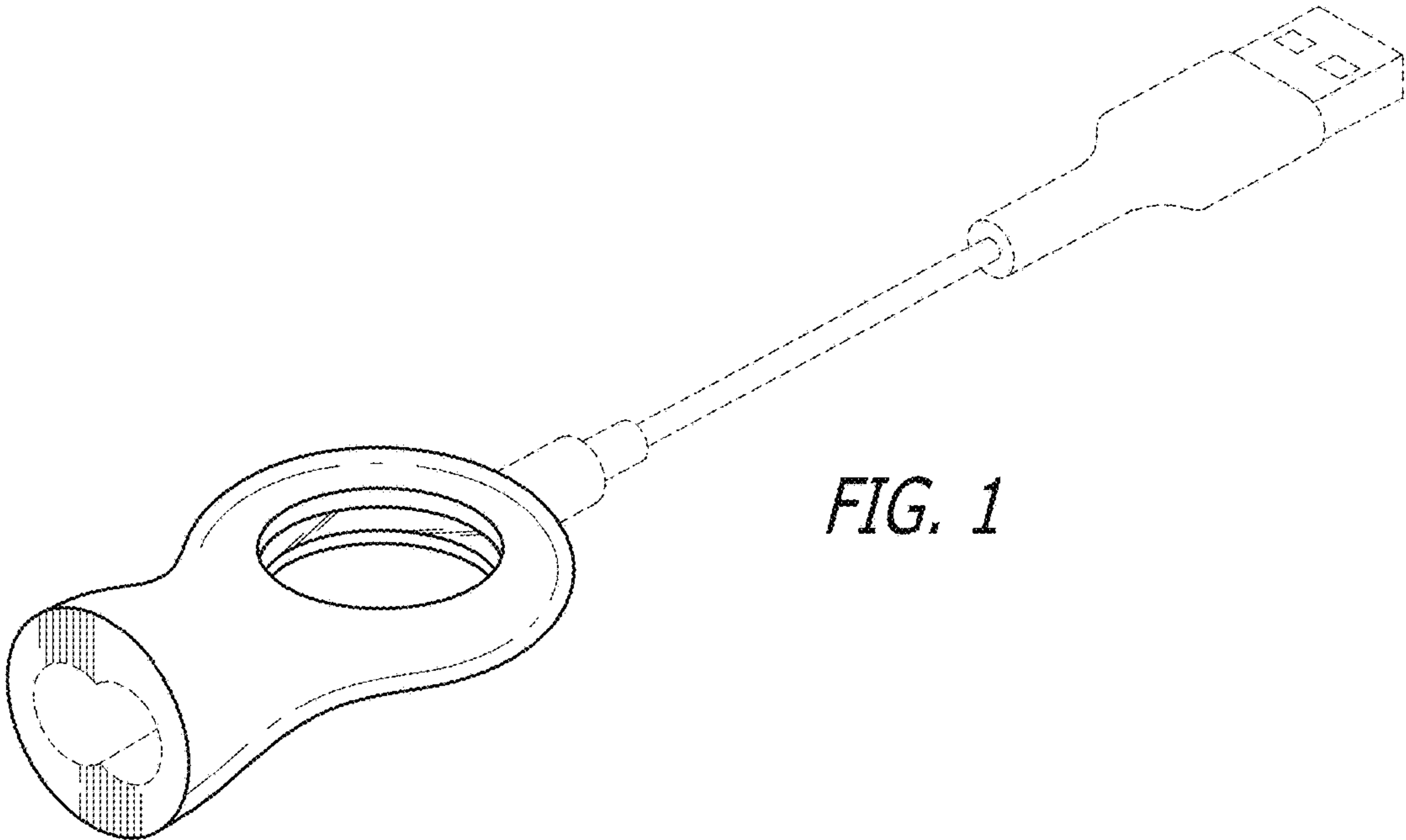
(56)

**References Cited**

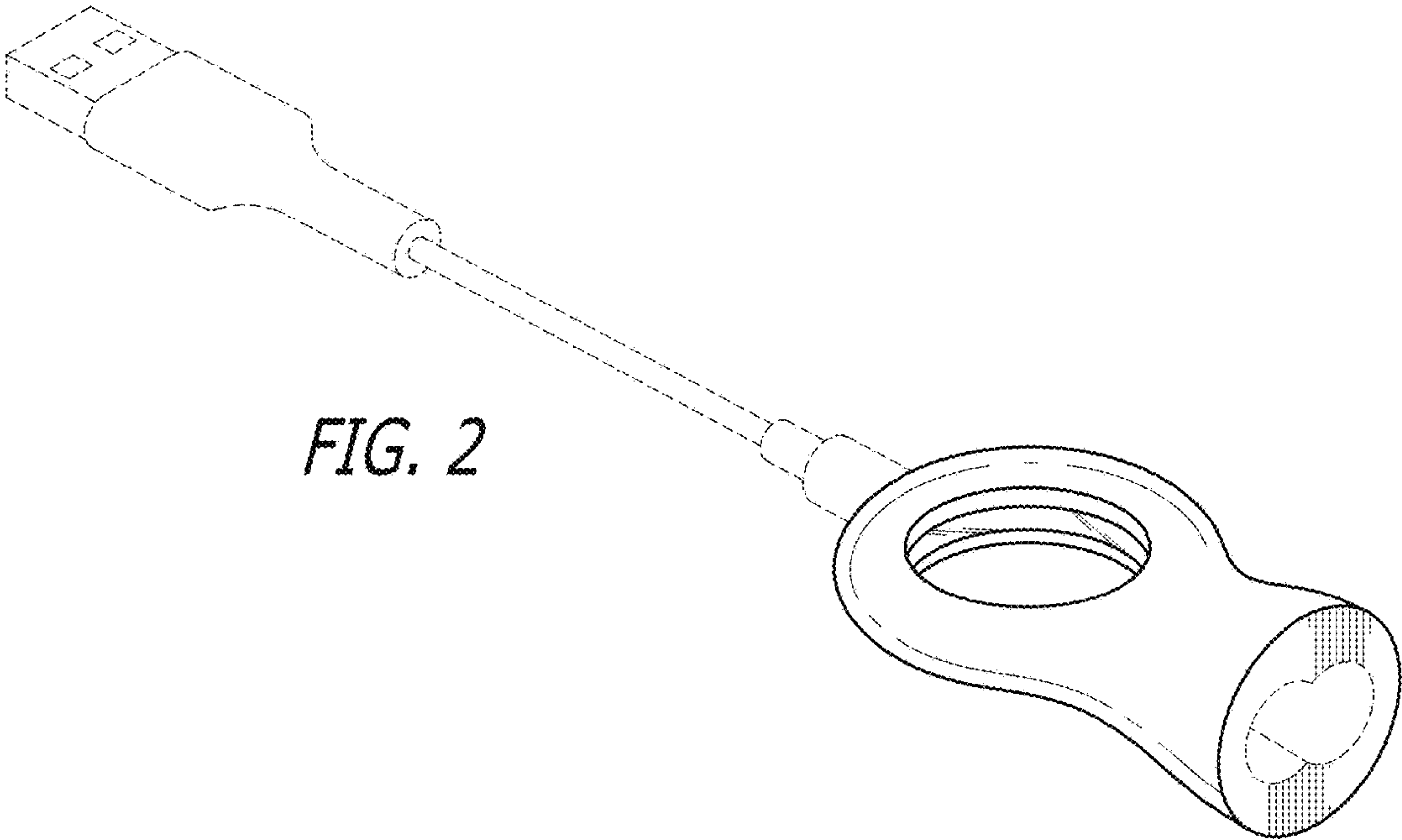
U.S. PATENT DOCUMENTS

D730,903	S *	6/2015	Langhammer .....	D14/433
D733,142	S *	6/2015	Solomon .....	D14/433
D736,151	S	8/2015	Dentzel et al.	
D746,291	S *	12/2015	Solomon .....	D14/433
D755,790	S *	5/2016	Salvatori .....	D14/433
D756,817	S *	5/2016	Fries .....	D10/78
D761,262	S *	7/2016	Solomon .....	D14/433
D770,974	S	11/2016	Dentzel et al.	
9,515,420	B2	12/2016	Daoura	
D779,492	S *	2/2017	Lin .....	D14/433
D782,485	S *	3/2017	Cai .....	D14/433
D784,340	S *	4/2017	Laffon de Mazieres ....	D14/433
9,636,959	B1	5/2017	Ihde	
2010/0070659	A1	3/2010	Ma et al.	
2012/0081067	A1	4/2012	Burrell, IV	
2014/0099808	A1	4/2014	McClelland	
2014/0156879	A1	6/2014	Wong et al.	
2014/0187079	A1	7/2014	Zien et al.	
2015/0171648	A1	6/2015	Williams	

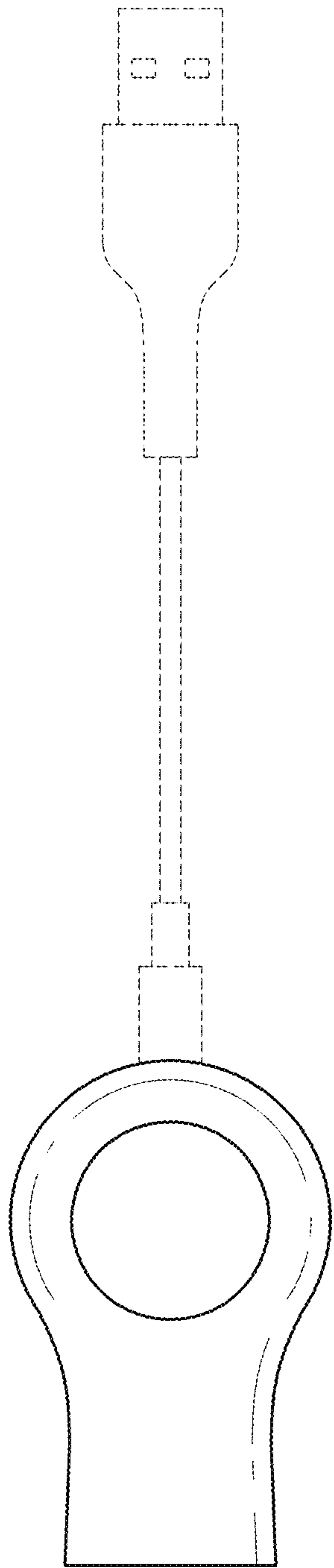
\* cited by examiner



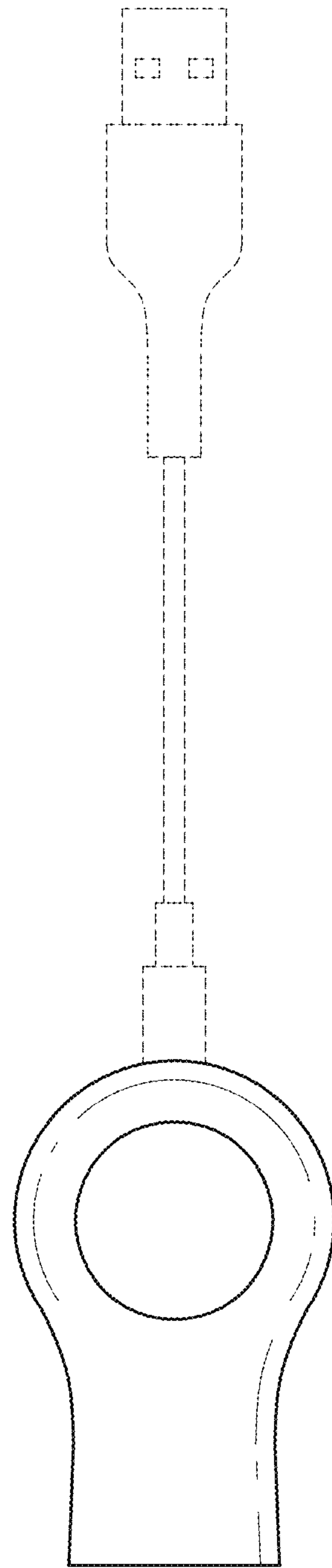
*FIG. 1*



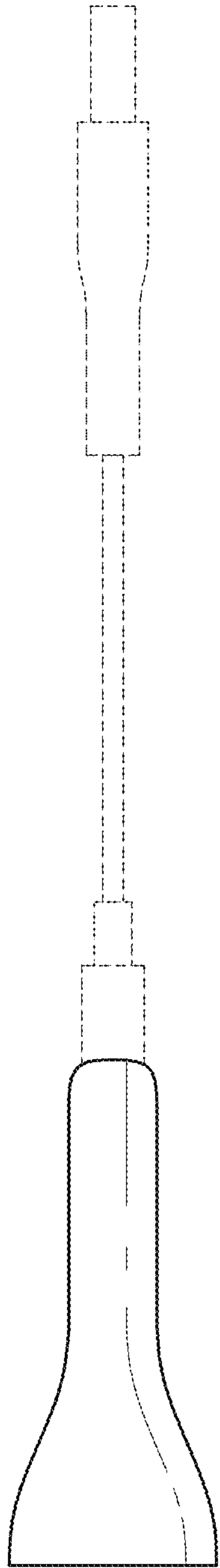
*FIG. 2*



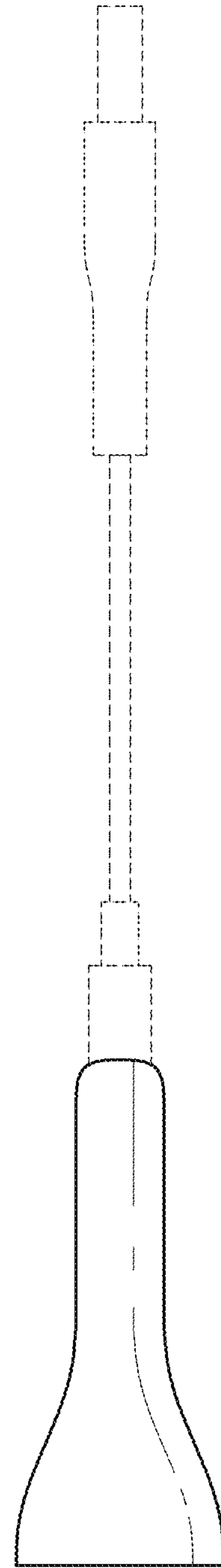
*FIG. 3*



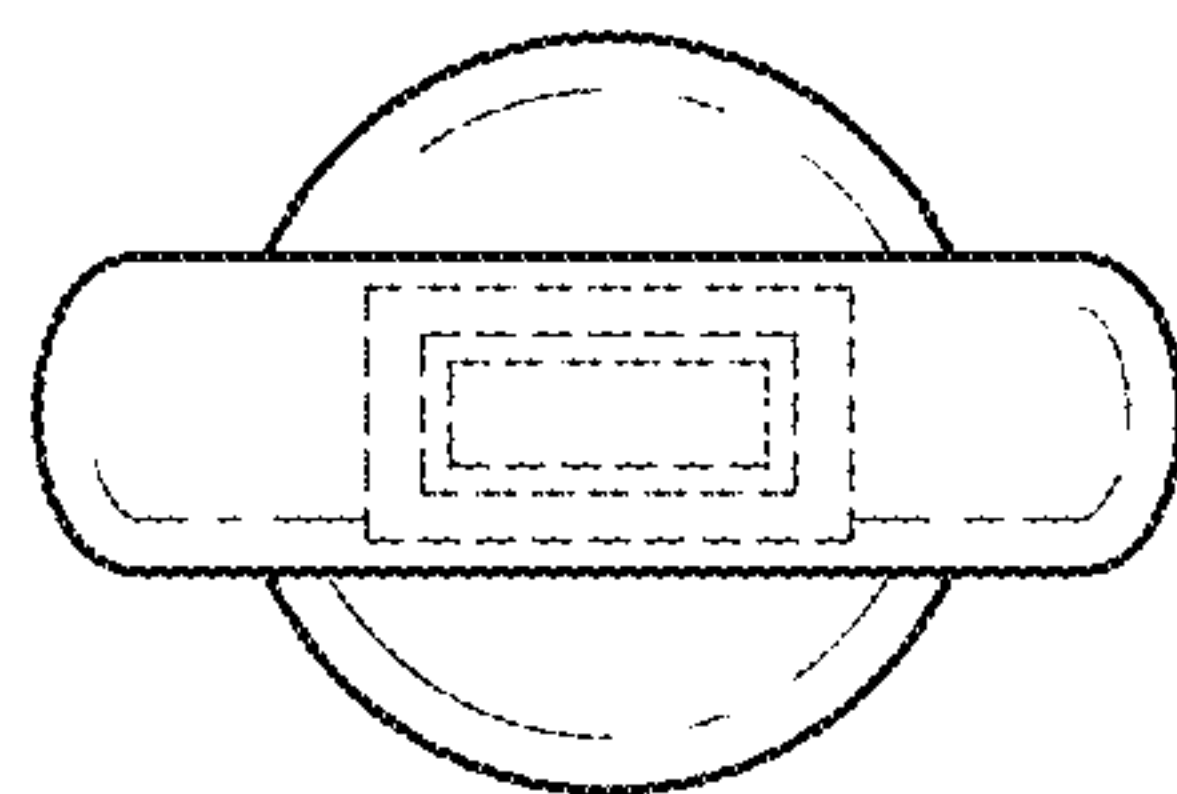
*FIG. 4*



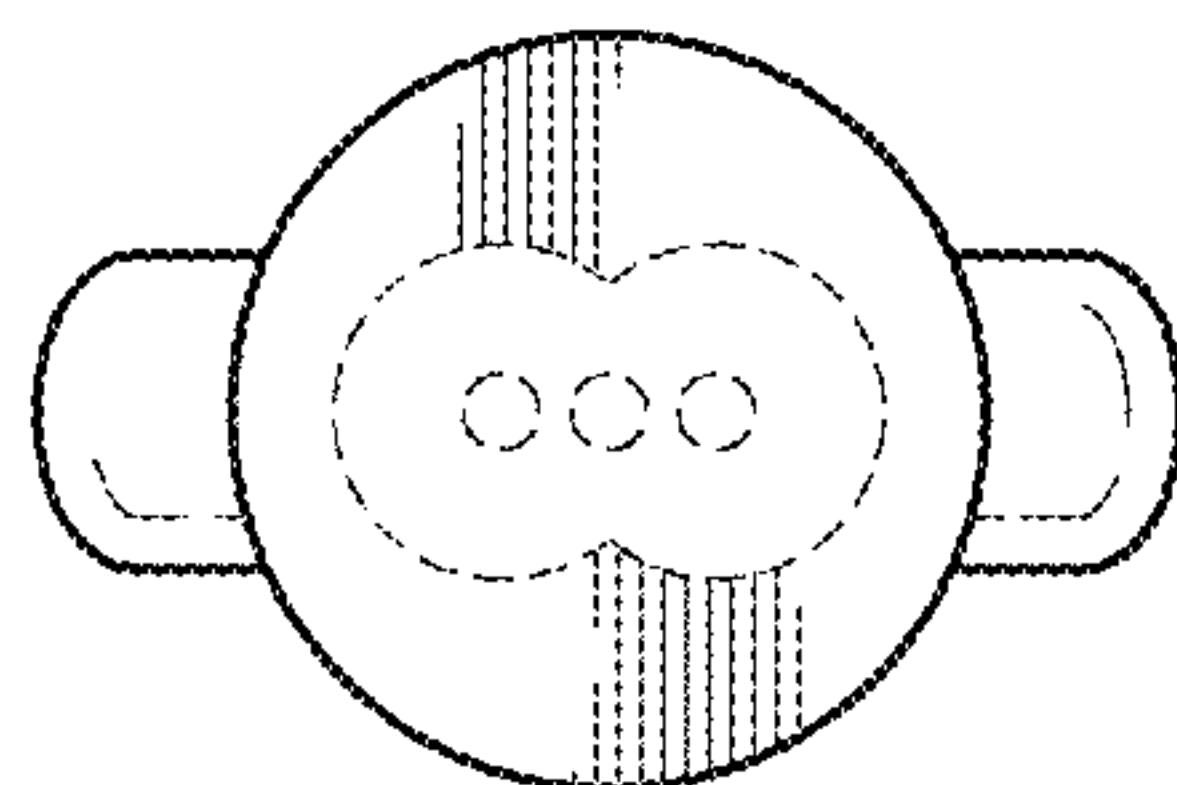
*FIG. 5*



*FIG. 6*



*FIG. 7*



*FIG. 8*