



US00D813871S

(12) **United States Design Patent**  
**Egami**

(10) **Patent No.:** **US D813,871 S**

(45) **Date of Patent:** **\*\* Mar. 27, 2018**

(54) **SCANNER**

(71) Applicant: **BROTHER INDUSTRIES, LTD.**,  
Nagoya-shi, Aichi-ken (JP)

(72) Inventor: **Keiichiro Egami**, Kuwana (JP)

(73) Assignee: **BROTHER INDUSTRIES, LTD.**,  
Nagoya (JP)

(\*\*) Term: **15 Years**

(21) Appl. No.: **29/589,227**

(22) Filed: **Dec. 29, 2016**

(30) **Foreign Application Priority Data**

Aug. 2, 2016 (JP) ..... 2016-16520

(51) **LOC (11) Cl.** ..... **14-02**

(52) **U.S. Cl.**  
USPC ..... **D14/422**

(58) **Field of Classification Search**

USPC ..... D14/421-425; D18/40, 36-39, 41,  
D18/44-56; 235/462, 455, 470, 462.43,  
235/482, 483; 358/474, 486, 488, 496,  
358/498, 452, 449, 451, 453.1, 1.13;  
318/685, 696; 355/81, 75; 399/405, 367,  
399/379, 380; 382/217; 715/209, 222,  
715/226, 274; 400/613, 613.1-613.4,  
400/690.1-690.4, 691-694

CPC ..... H04N 1/00; H04N 1/12; H04N 1/00013;  
H04N 1/00015; H04N 1/00018; H04N  
1/00026; H04N 1/00557; H04N 1/00564;  
H04N 1/00567; H04N 1/0057; H04N  
1/00572; H04N 1/00586; H04N 1/00588;  
H04N 1/00591; H04N 1/00594; H04N  
1/00596; H04N 1/00604; H04N 1/00519;  
H04N 1/00559; H04N 1/1013; H04N  
1/10; H04N 1/00551; H04N 1/00278;  
H04N 2201/0456; H04N 2201/0446;  
H04N 2201/00; H04N 2201/0094; H04N  
1/00525; G03G 15/0142; G03G 15/605;

G03G 15/602; B65H 5/26; B65H 5/30;  
B65H 7/00; B65H 2402/515; B65H  
2402/31; B65H 2511/20; B65H 2511/414;  
B65H 2511/00194; B65H 2511/00198;  
B65H 2511/00202; B65H 2511/00206;  
B65H 2301/00; B65H 2220/04; B65H  
3/5261; B65H 2513/42

See application file for complete search history.

(56) **References Cited**

U.S. PATENT DOCUMENTS

D401,271 S *	11/1998	Nakajima	.....	D18/55
D414,508 S *	9/1999	Pangburn	.....	D18/55
D422,570 S *	4/2000	Kobayashi	.....	D14/509
D432,565 S *	10/2000	Gassett	.....	D18/55
D475,052 S *	5/2003	Chujou	.....	D14/422
D479,264 S *	9/2003	Suzuki	.....	D18/55
D498,786 S *	11/2004	Suzuki	.....	D18/55

(Continued)

*Primary Examiner* — Susan Moon Lee

(74) *Attorney, Agent, or Firm* — Oliff PLC

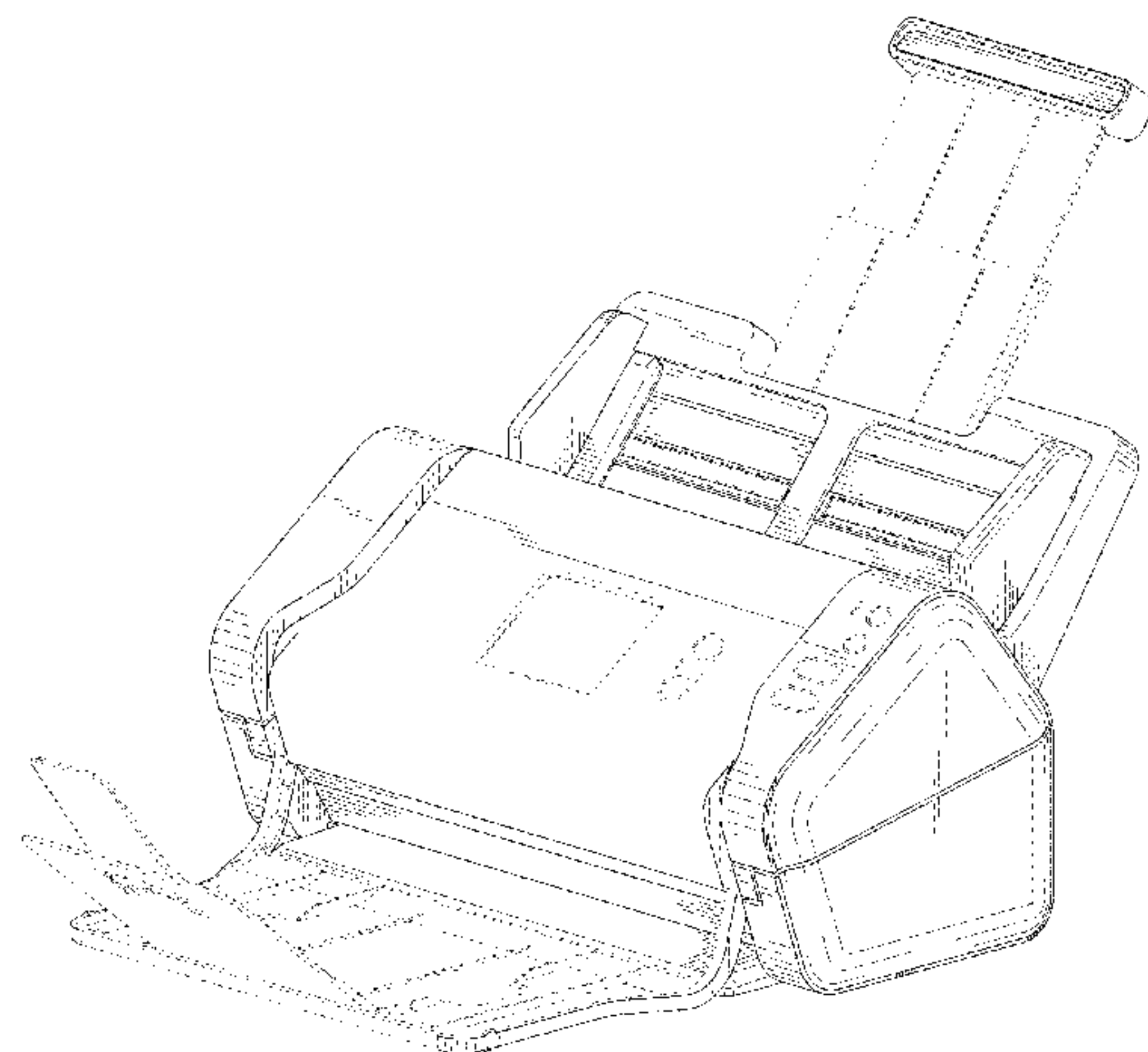
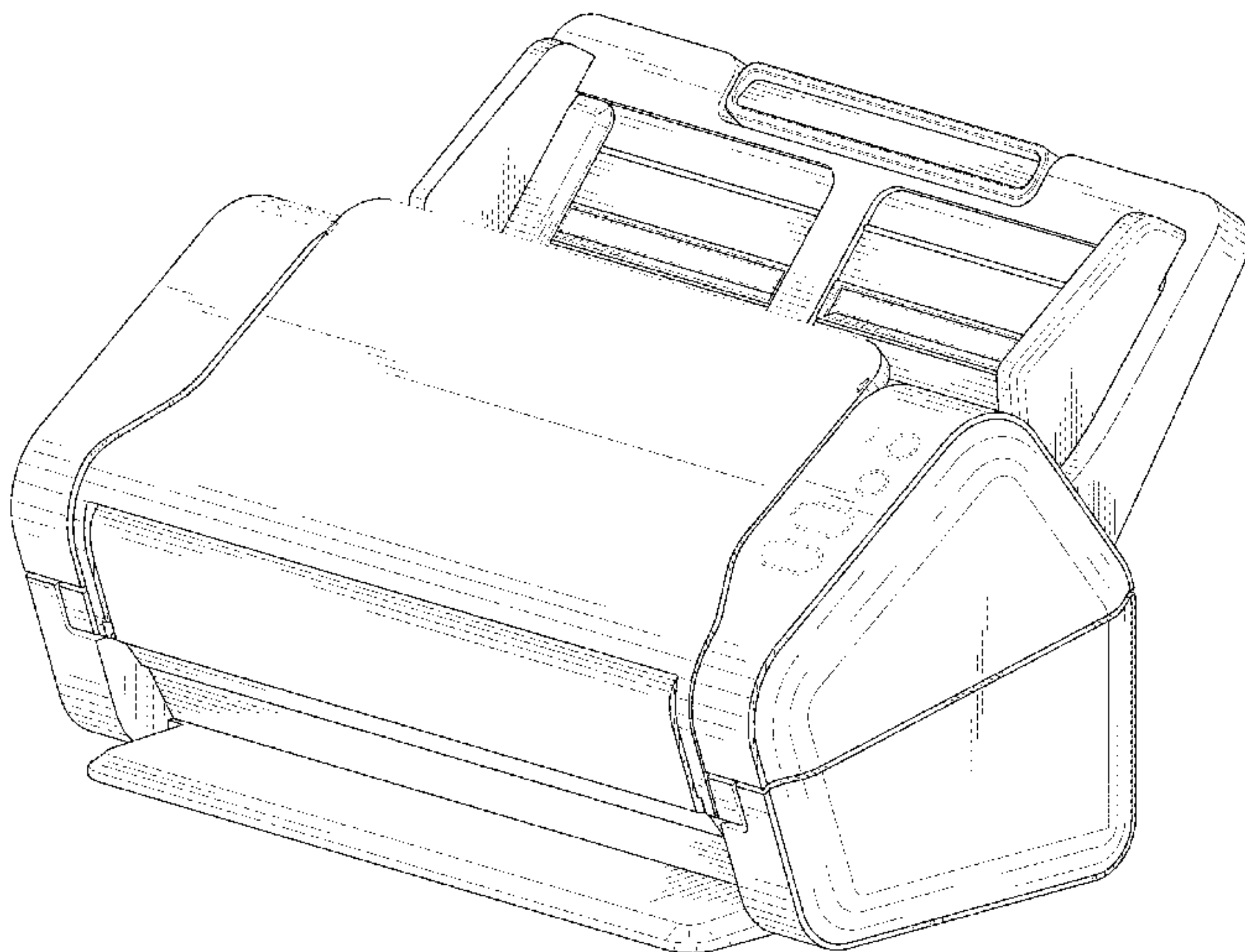
(57) **CLAIM**

The ornamental design for a scanner, as shown and described.

**DESCRIPTION**

FIG. 1 is a perspective view of a scanner;  
FIG. 2 is a front view thereof;  
FIG. 3 is a top view thereof;  
FIG. 4 is a right-side view thereof;  
FIG. 5 is a left-side view thereof;  
FIG. 6 is a rear view thereof;  
FIG. 7 is a bottom view thereof; and,  
FIG. 8 is another perspective view thereof in an open configuration.  
The broken lines depict unclaimed portions of the scanner and form no part of the claimed design.

**1 Claim, 8 Drawing Sheets**



(56)

**References Cited**

## U.S. PATENT DOCUMENTS

D515,623	S *	2/2006	Hattori	.....	D18/36
D516,621	S *	3/2006	Kobayashi	.....	D18/55
D516,622	S *	3/2006	Suzuki	.....	D18/55
D549,705	S *	8/2007	Sugitani	.....	D14/422
D571,370	S *	6/2008	Sugitani	.....	D14/422
D610,146	S *	2/2010	Kuroda	.....	D14/422
D632,295	S *	2/2011	Kuroda	.....	D14/422
D669,081	S *	10/2012	Iwai	.....	D14/422
D689,866	S *	9/2013	Anzai	.....	D14/422
D692,891	S *	11/2013	Kuroda	.....	D14/422
D713,845	S *	9/2014	Taniho	.....	D14/422
D766,246	S *	9/2016	Inada	.....	D14/422
D776,118	S *	1/2017	Ishida	.....	D14/422
D783,023	S *	4/2017	Kuroda	.....	D14/422
D788,110	S *	5/2017	Kuroda	.....	D14/422
D794,640	S *	8/2017	Shigeno	.....	D14/422
2007/0188818	A1 *	8/2007	Westcott	.....	H04N 1/00525 358/296
2009/0230611	A1 *	9/2009	Ngai	.....	H04N 1/00525 271/145
2013/0163056	A1 *	6/2013	Hanayama	.....	H04N 1/00013 358/474

\* cited by examiner

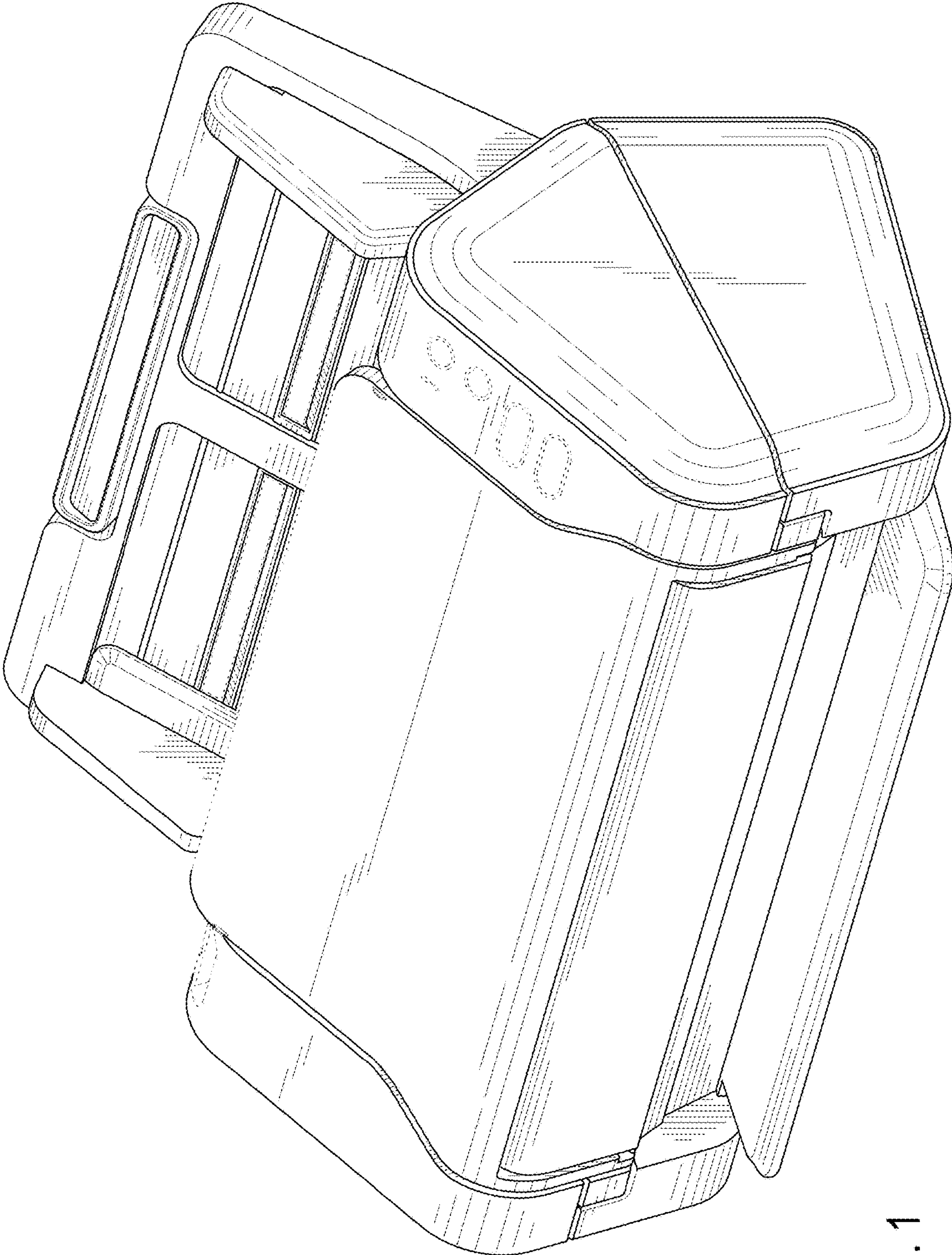


FIG. 1



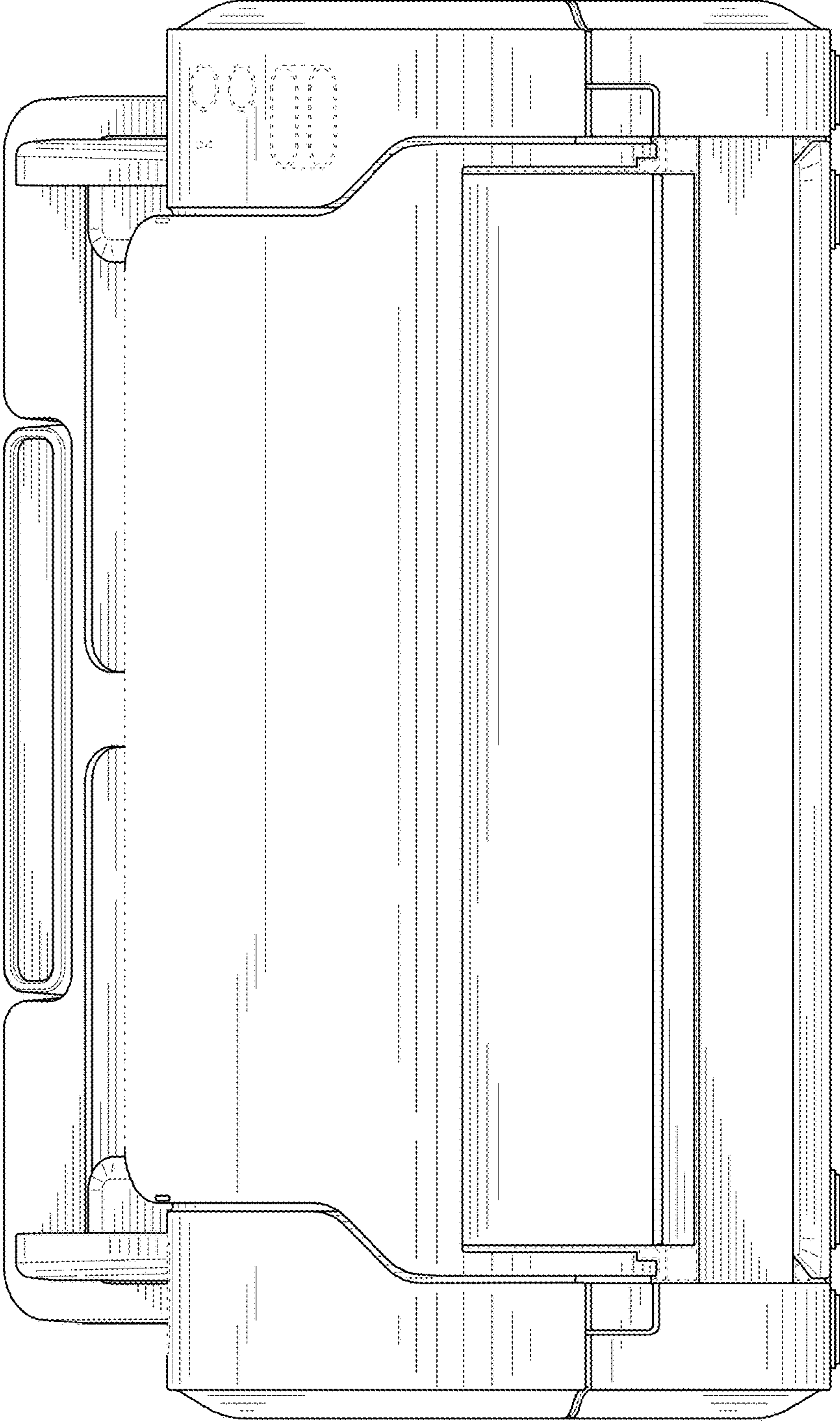


FIG. 2

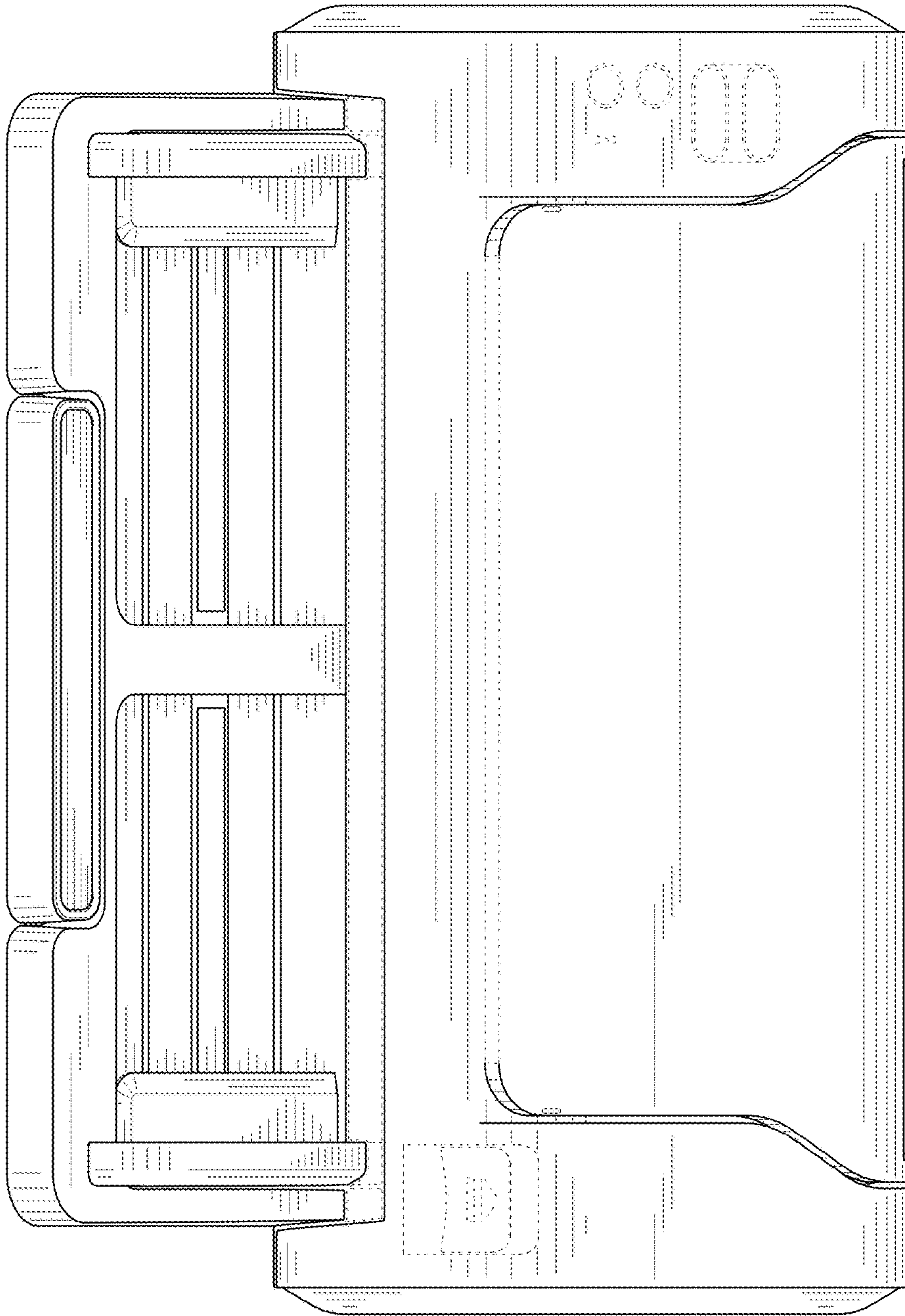


FIG. 3

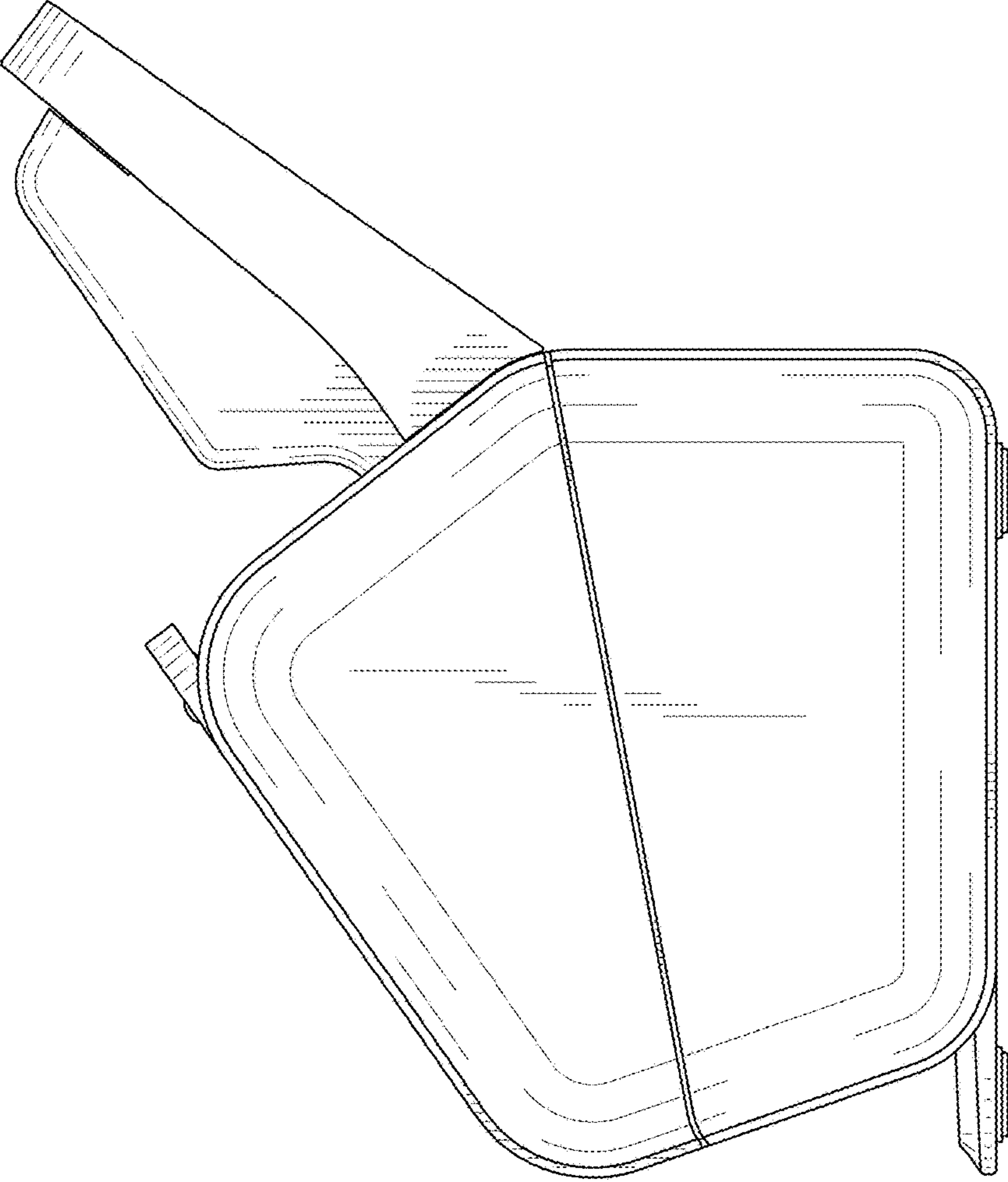


FIG. 4

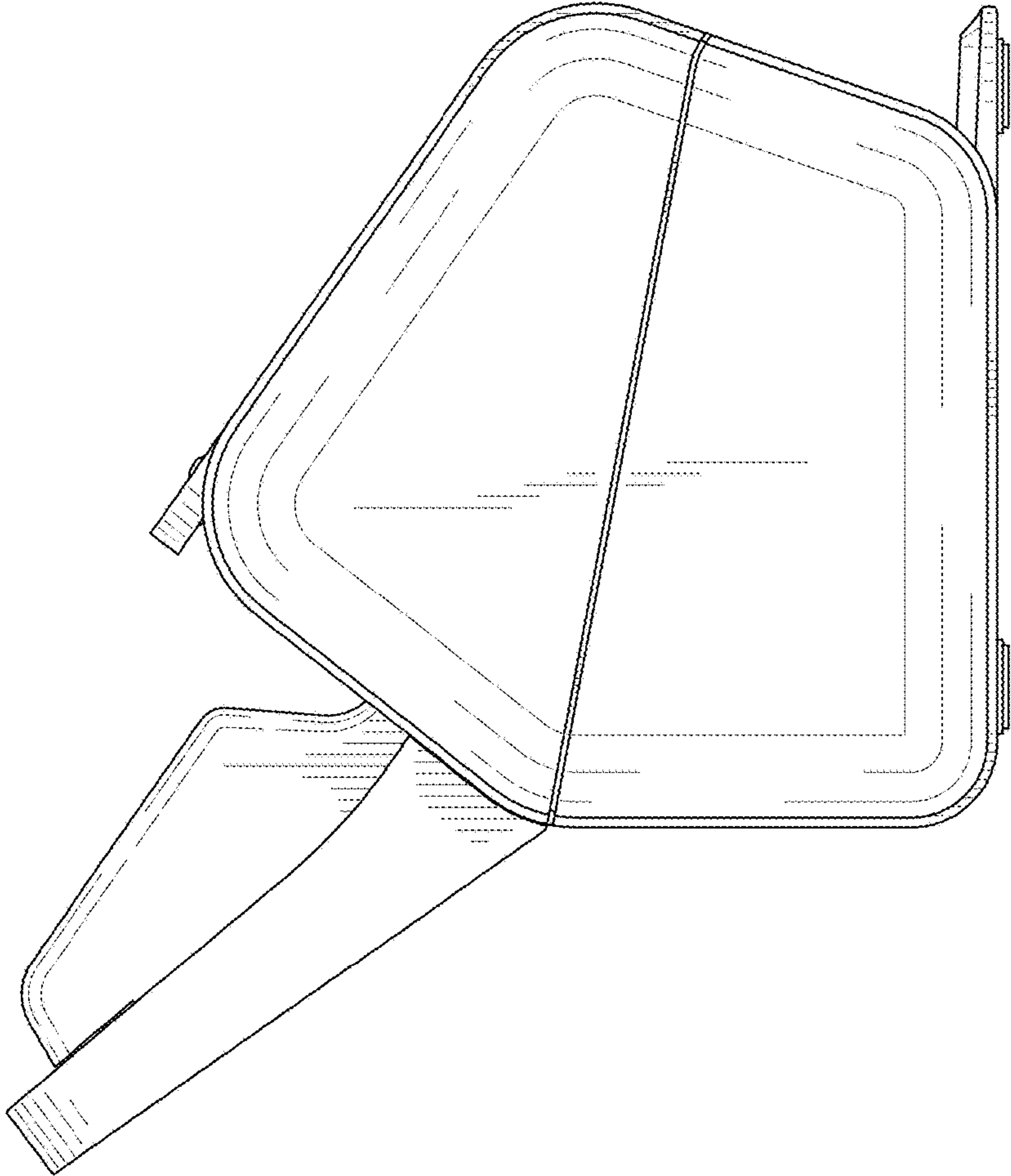


FIG. 5

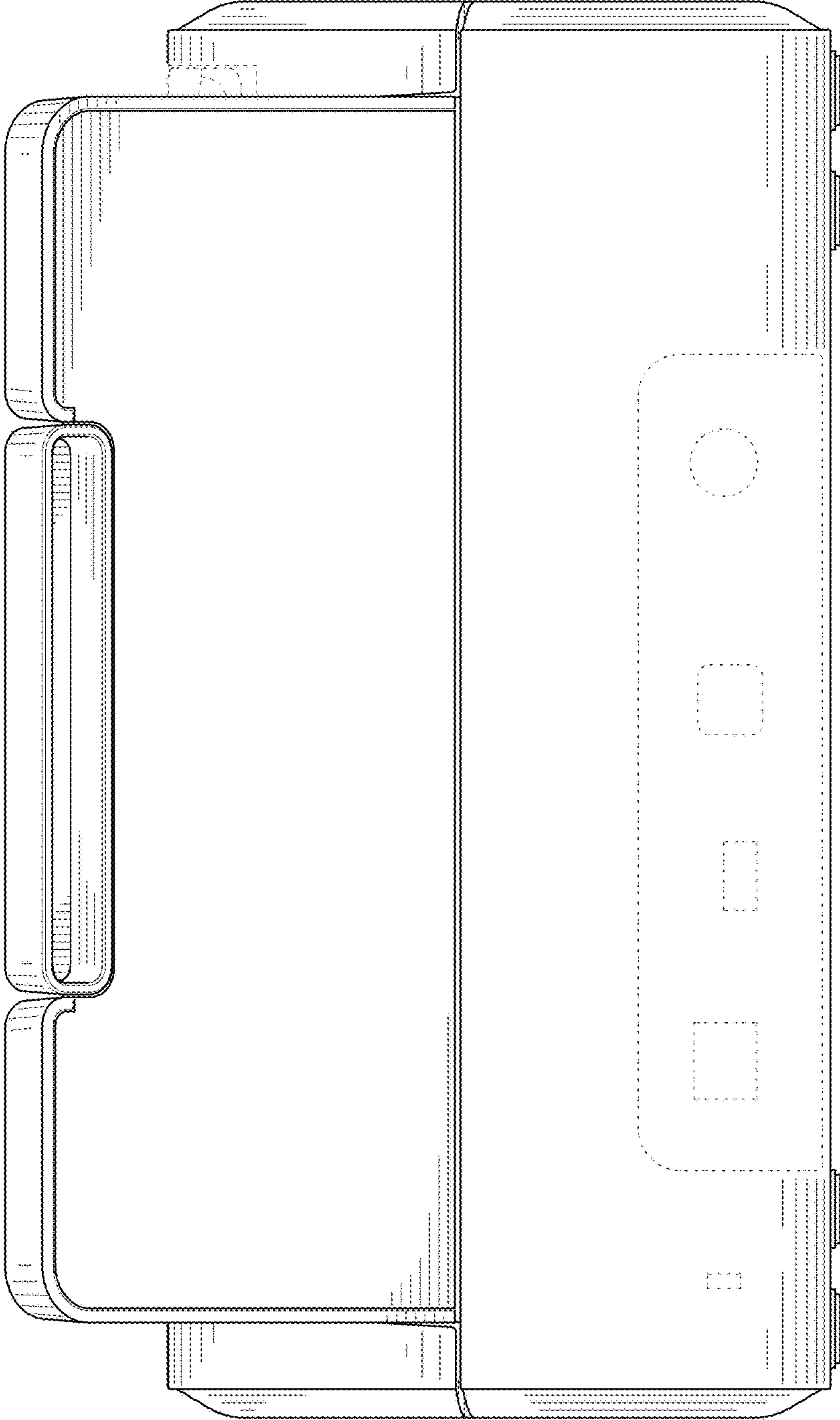


FIG. 6



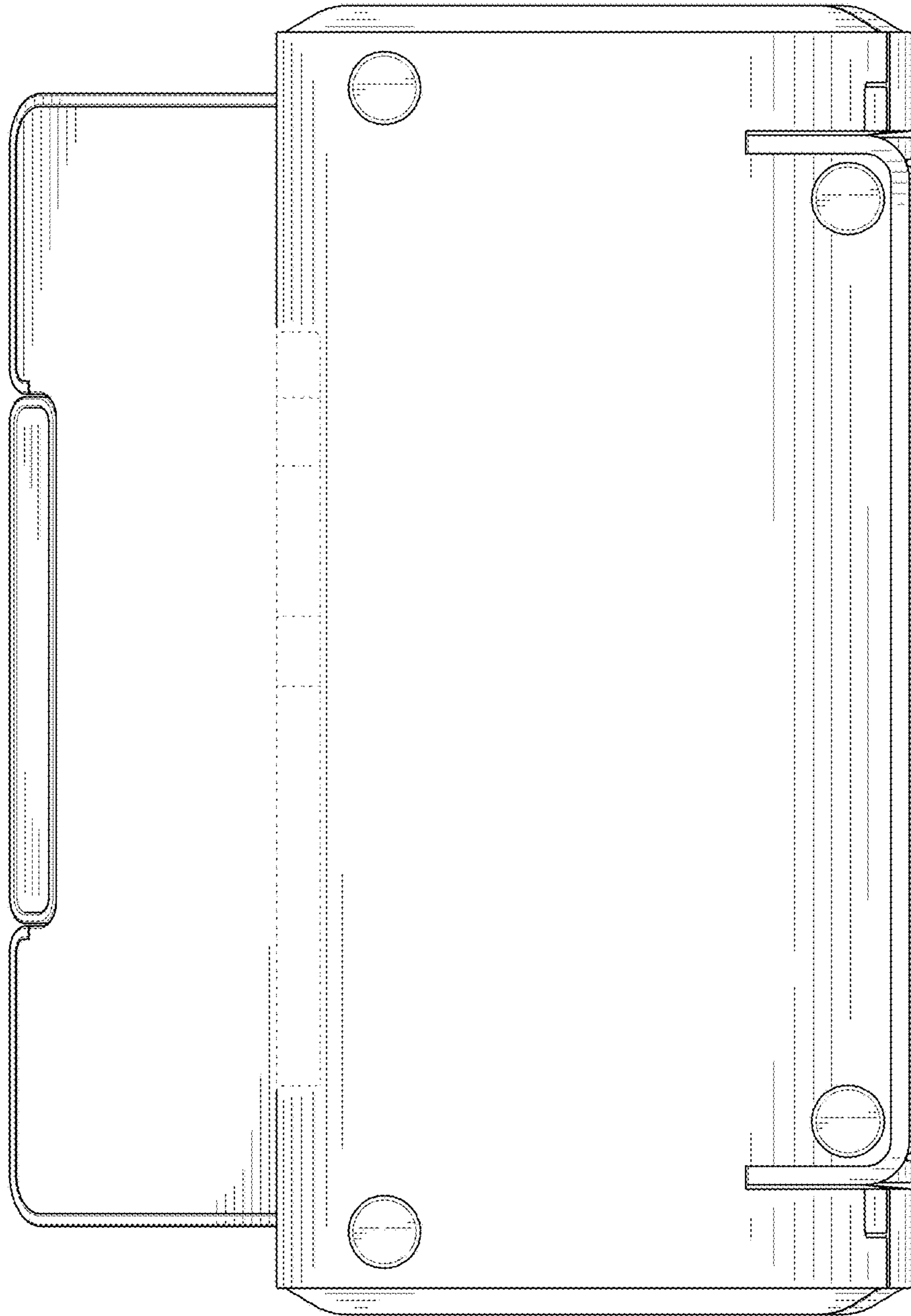


FIG. 7

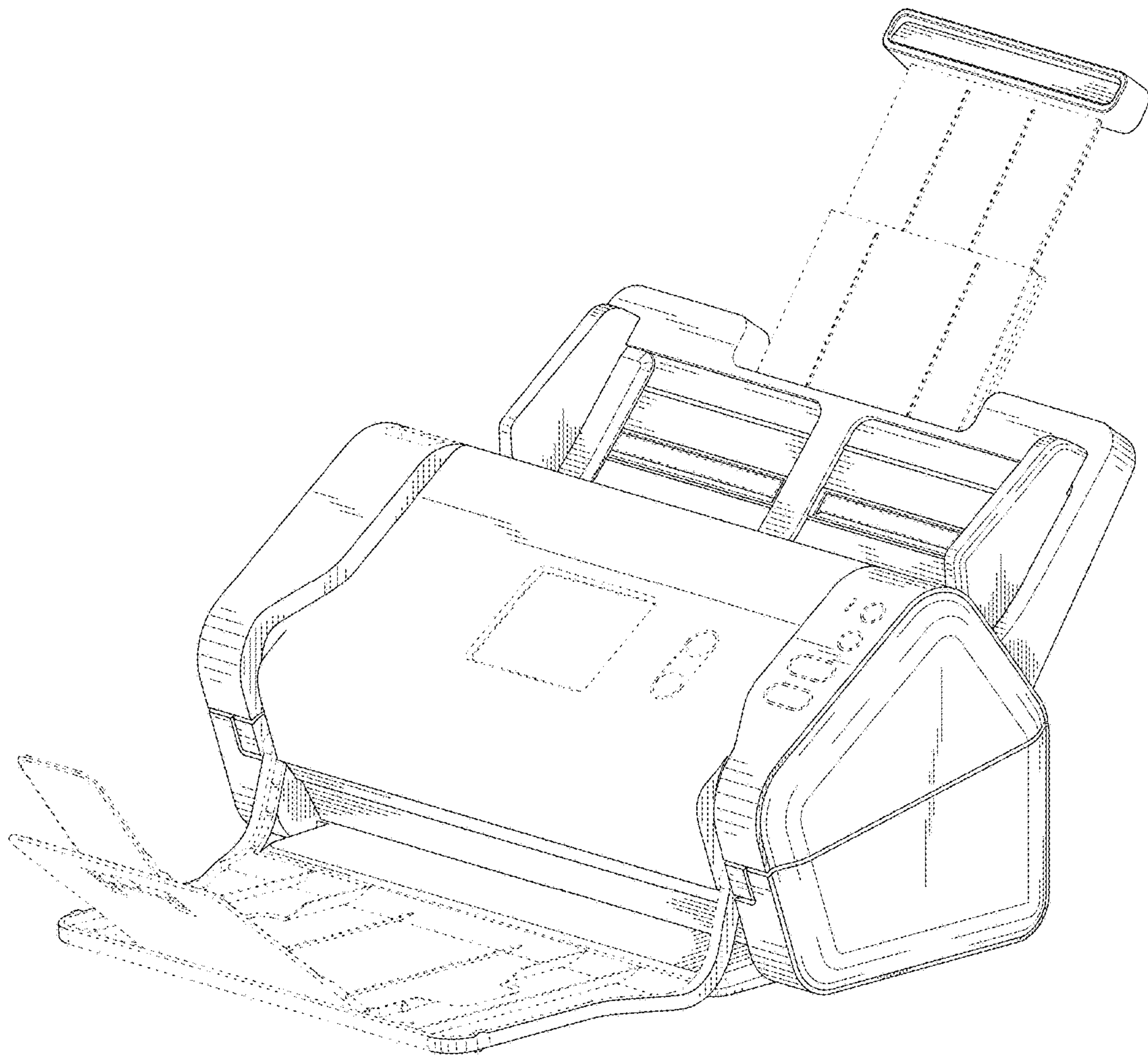


FIG. 8