



US00D813870S

(12) **United States Design Patent**  
**Kim**

(10) **Patent No.:** **US D813,870 S**

(45) **Date of Patent:** **\*\* Mar. 27, 2018**

(54) **COMPUTER MOUSE**

(71) Applicant: **Dong Il Kim**, Namyangju-si (KR)

(72) Inventor: **Dong Il Kim**, Namyangju-si (KR)

(\*\*) Term: **15 Years**

(21) Appl. No.: **29/582,200**

(22) Filed: **Oct. 26, 2016**

(30) **Foreign Application Priority Data**

Apr. 28, 2016 (KR) ..... 30-2016-0020305

(51) **LOC (11) Cl.** ..... **14-02**

(52) **U.S. Cl.**  
USPC ..... **D14/409**

(58) **Field of Classification Search**  
USPC ..... D14/402-411, 356, 388, 389, 383-385,  
D14/417, 426; 345/156-167; 463/36-38;  
358/471, 473; 273/148 B

CPC ..... G06F 3/03543; G06F 2203/0333; G06F  
3/039; G06F 3/038; G06F 2203/0384  
See application file for complete search history.

(56) **References Cited**

**U.S. PATENT DOCUMENTS**

D543,983 S \* 6/2007 Large ..... D14/409  
D594,459 S \* 6/2009 Manalo ..... D14/402

D669,895 S \* 10/2012 Li ..... D14/409  
D712,903 S \* 9/2014 Lai ..... D14/409  
D716,813 S \* 11/2014 Deng ..... D14/409  
D718,310 S \* 11/2014 Moon ..... D14/409  
D739,406 S \* 9/2015 Jost ..... D14/409  
D742,879 S \* 11/2015 Helwig ..... D14/409  
D744,485 S \* 12/2015 Young ..... D14/409  
D749,076 S \* 2/2016 Helwig ..... D14/409  
D753,116 S \* 4/2016 Lo ..... D14/409  
D794,638 S \* 8/2017 Zheng ..... D14/409  
D804,480 S \* 12/2017 Deng ..... D14/409

\* cited by examiner

*Primary Examiner* — Austin Murphy

(74) *Attorney, Agent, or Firm* — Rabin & Berdo, P.C.

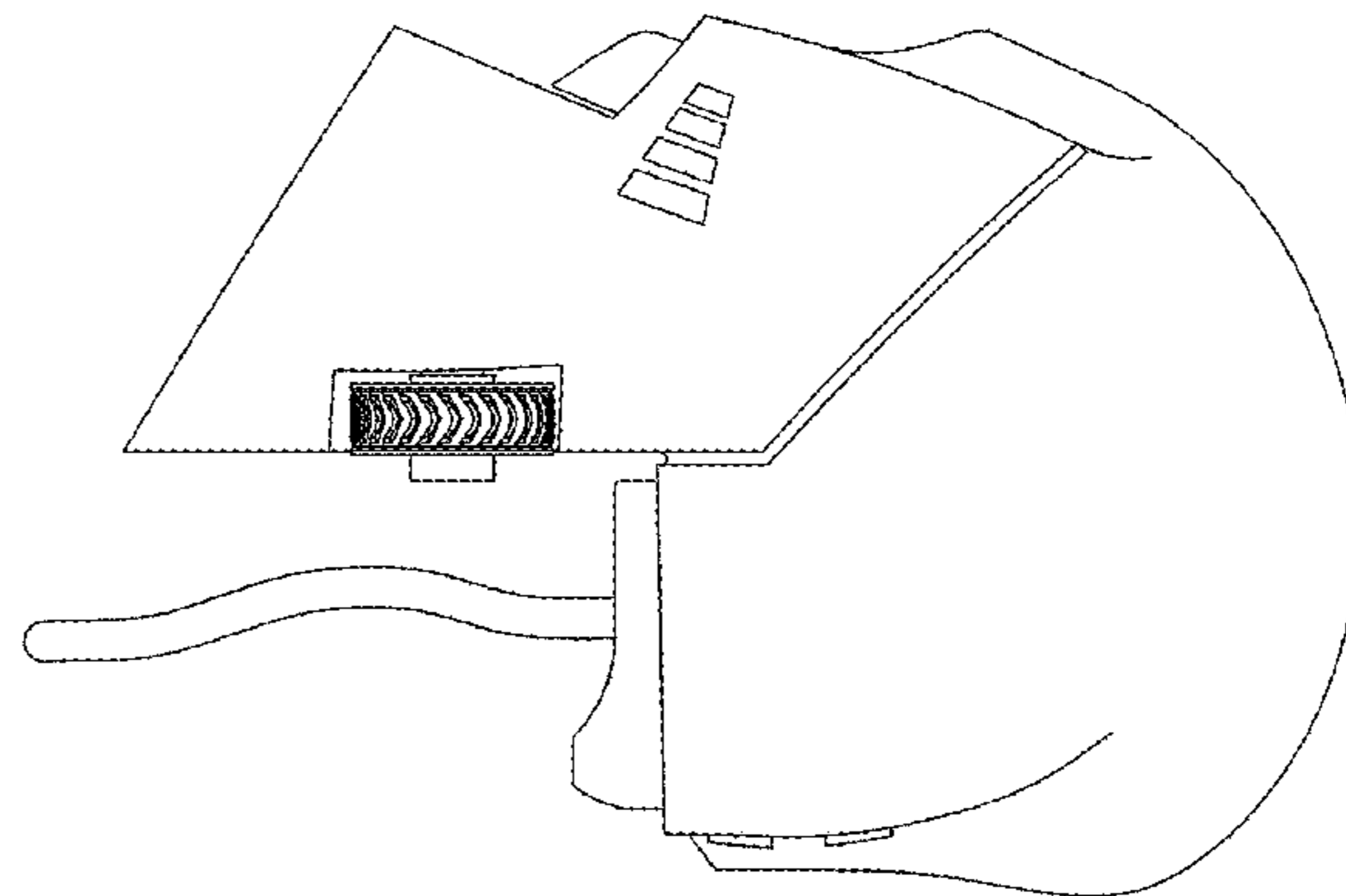
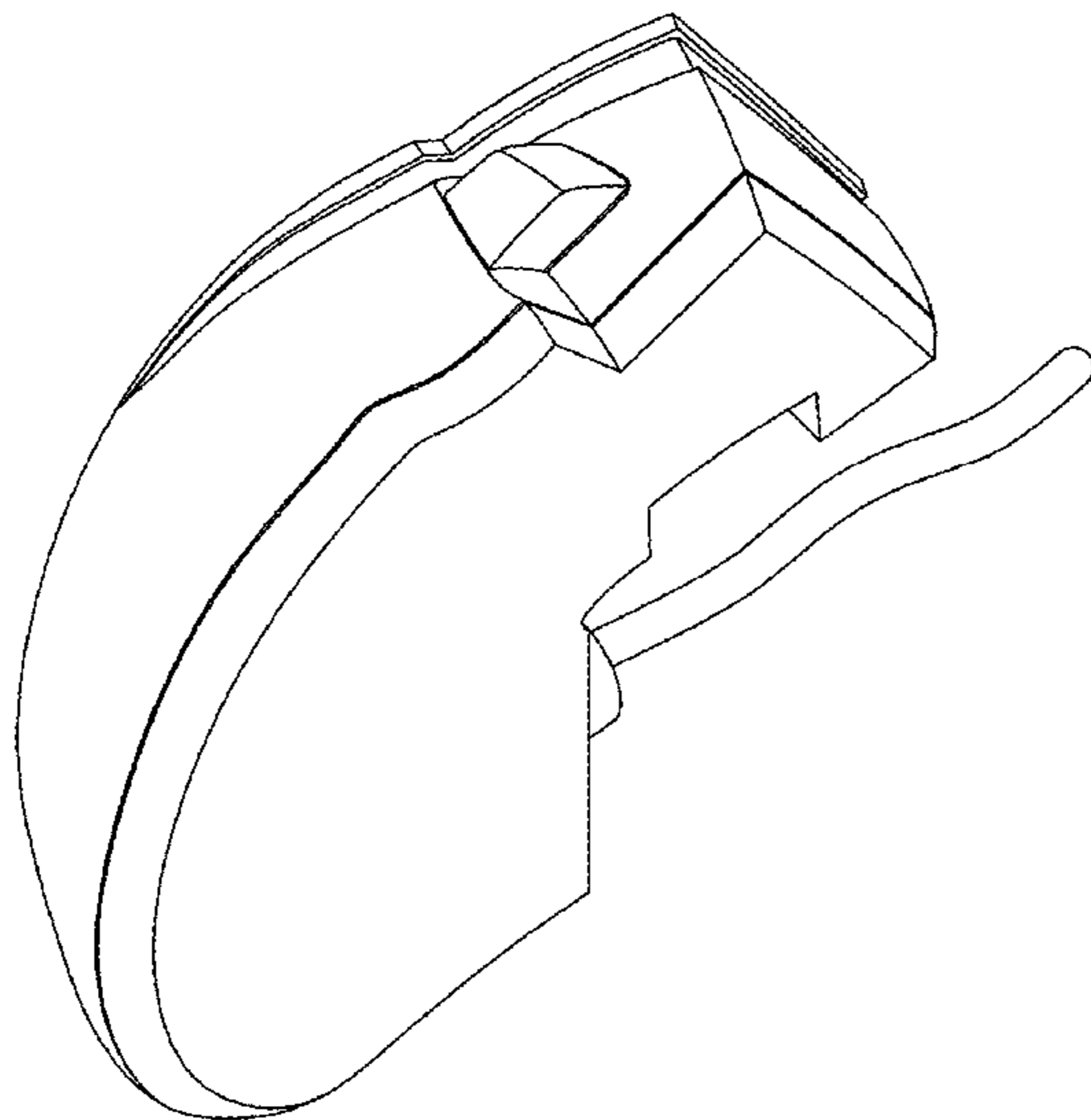
(57) **CLAIM**

The ornamental design for a computer mouse, as shown and described.

**DESCRIPTION**

FIG. 1 is a top perspective view of a computer mouse;  
FIG. 2 is a front elevational view thereof;  
FIG. 3 is a rear elevational view thereof;  
FIG. 4 is a left side elevational view thereof;  
FIG. 5 is a right side elevational view thereof;  
FIG. 6 is a top plan view thereof; and,  
FIG. 7 is a bottom plan view thereof.

**1 Claim, 7 Drawing Sheets**



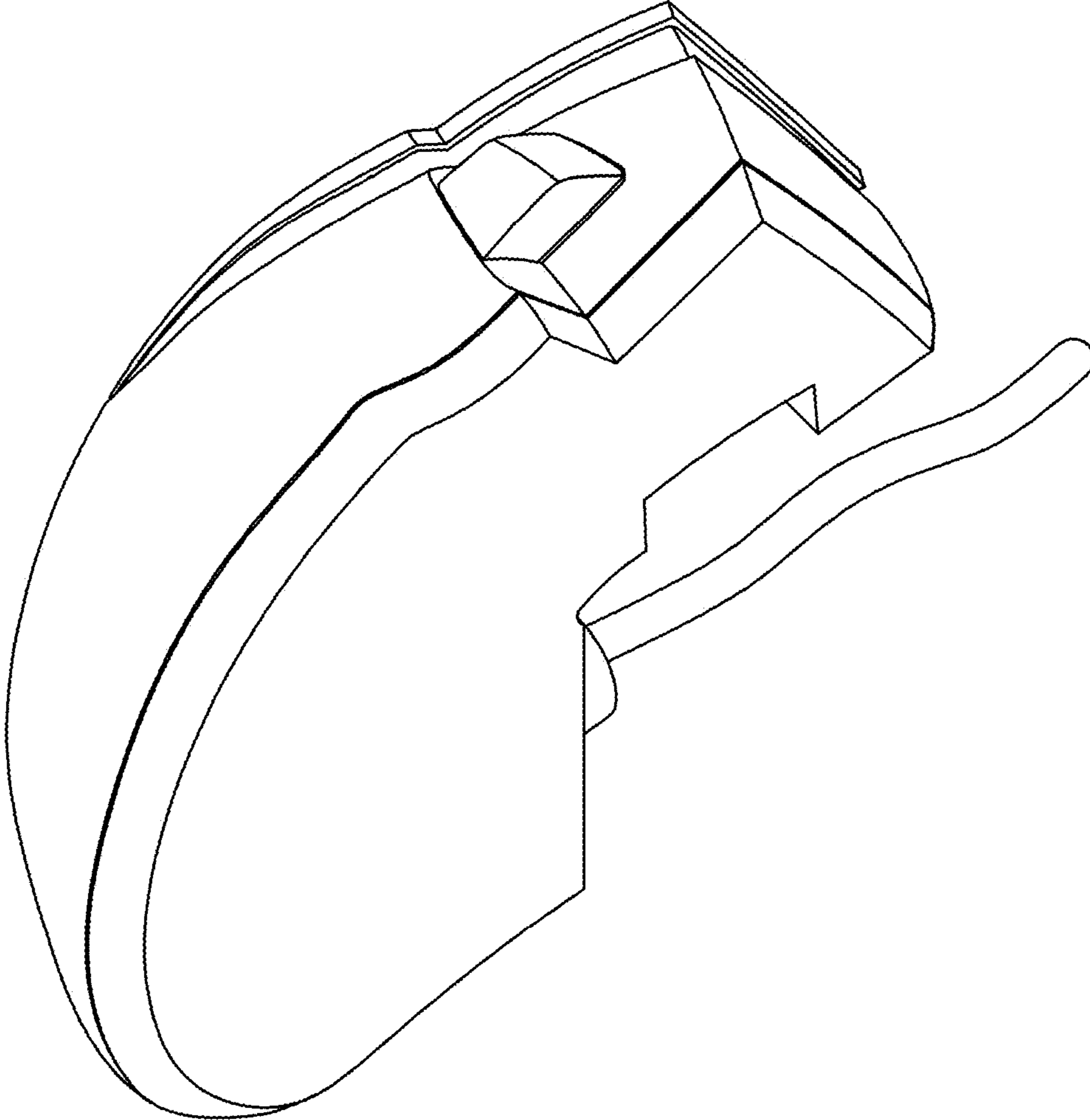


FIG. 1

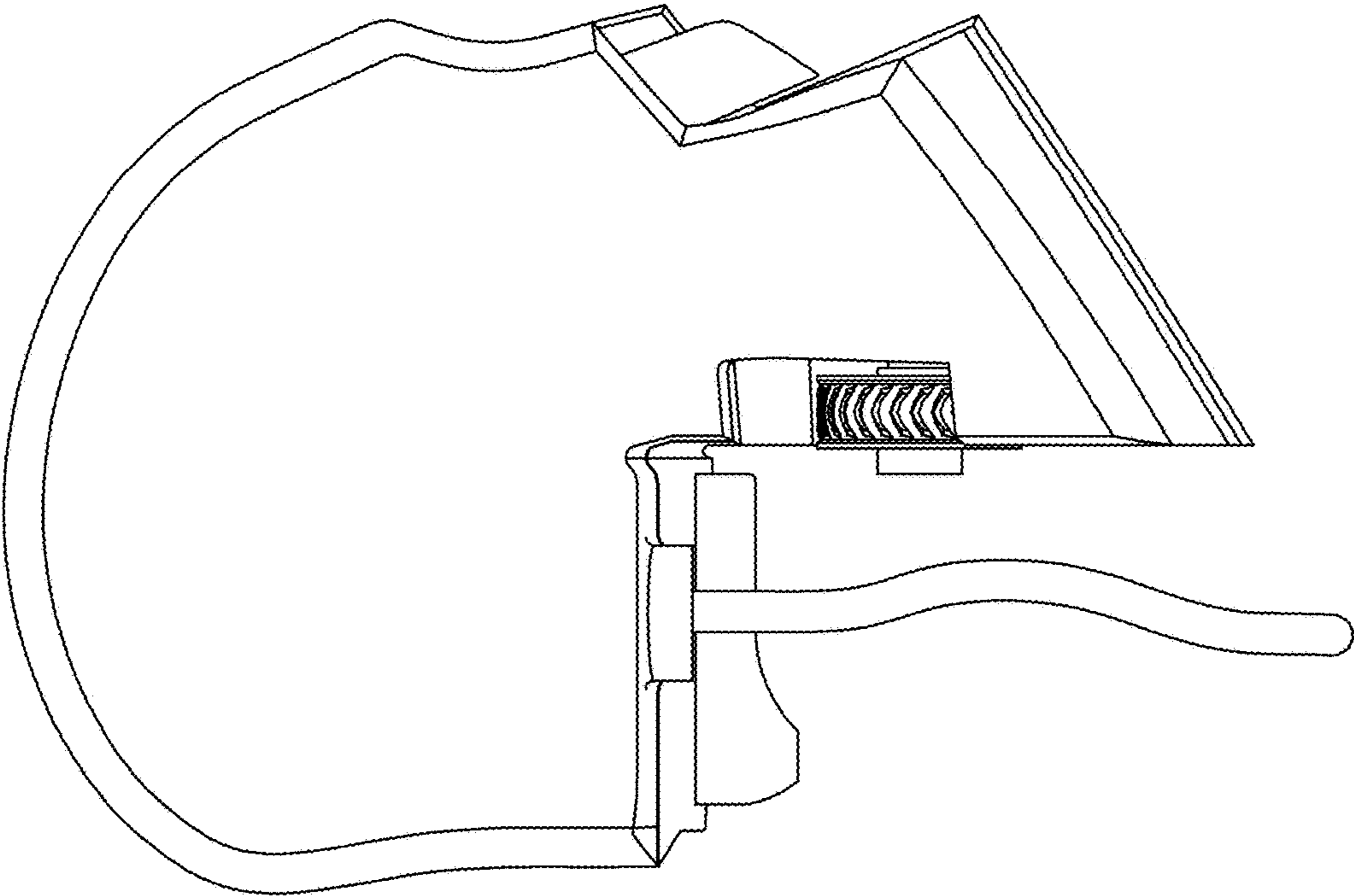


FIG. 2

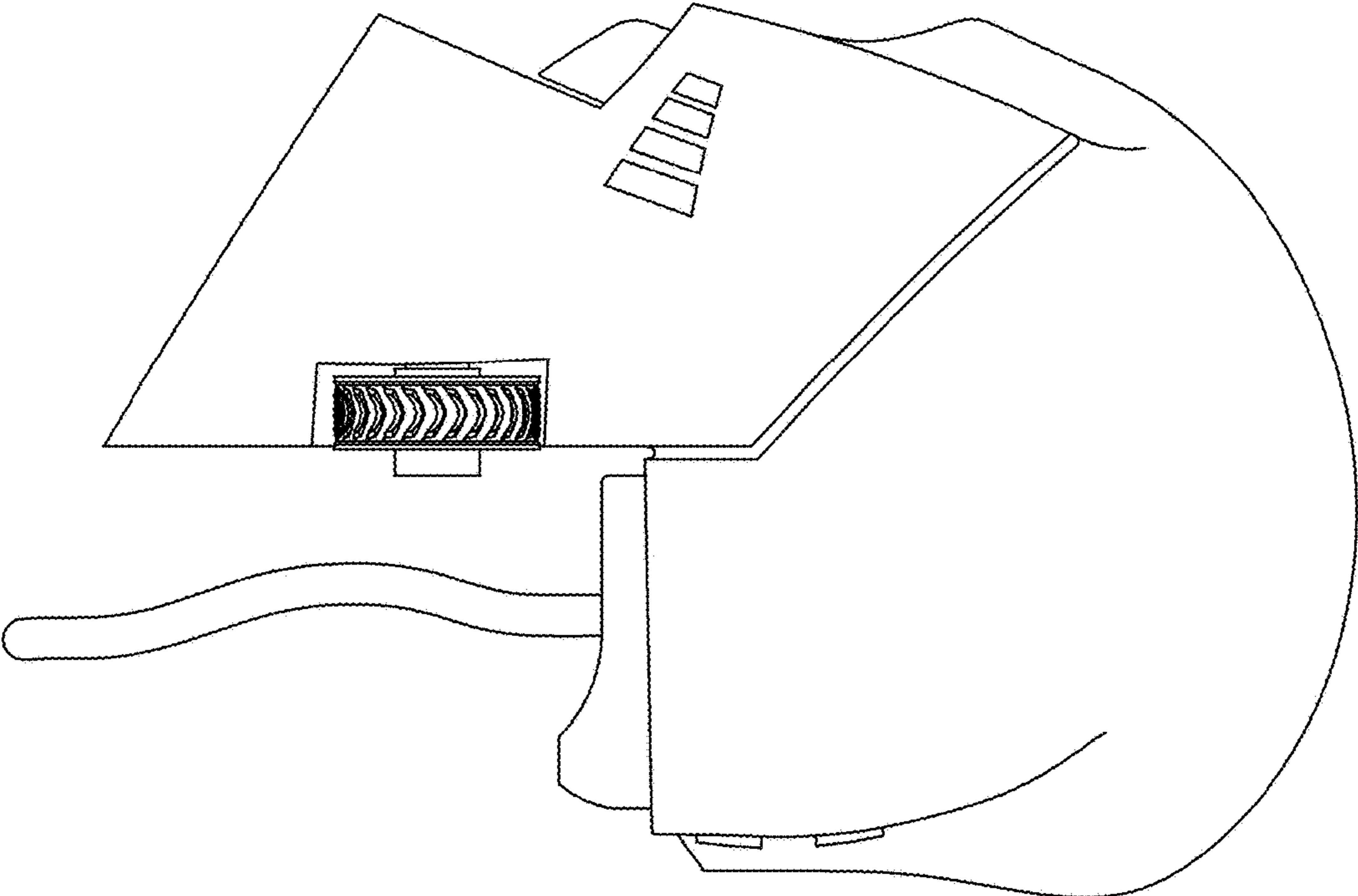


FIG. 3

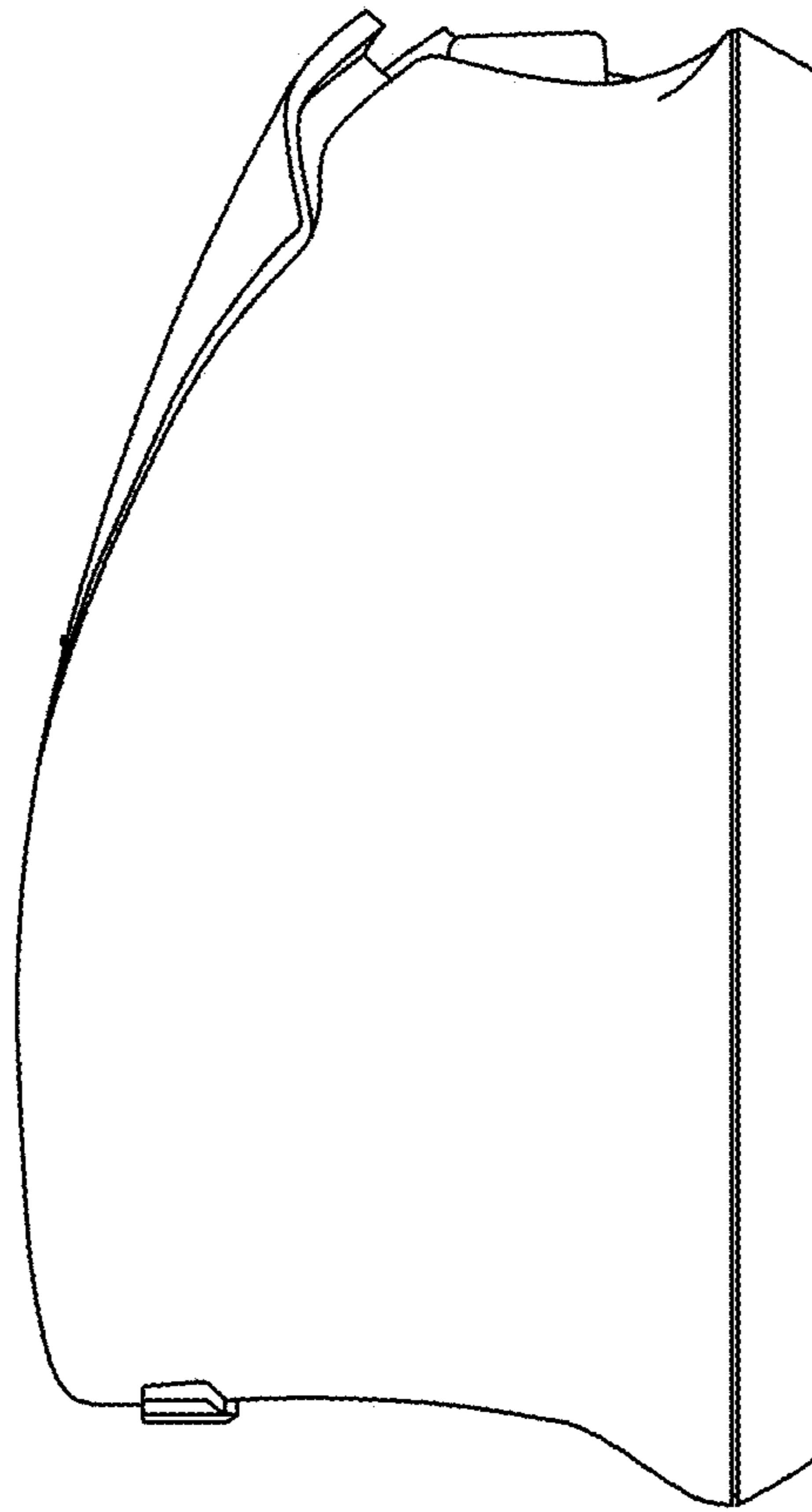


FIG. 4

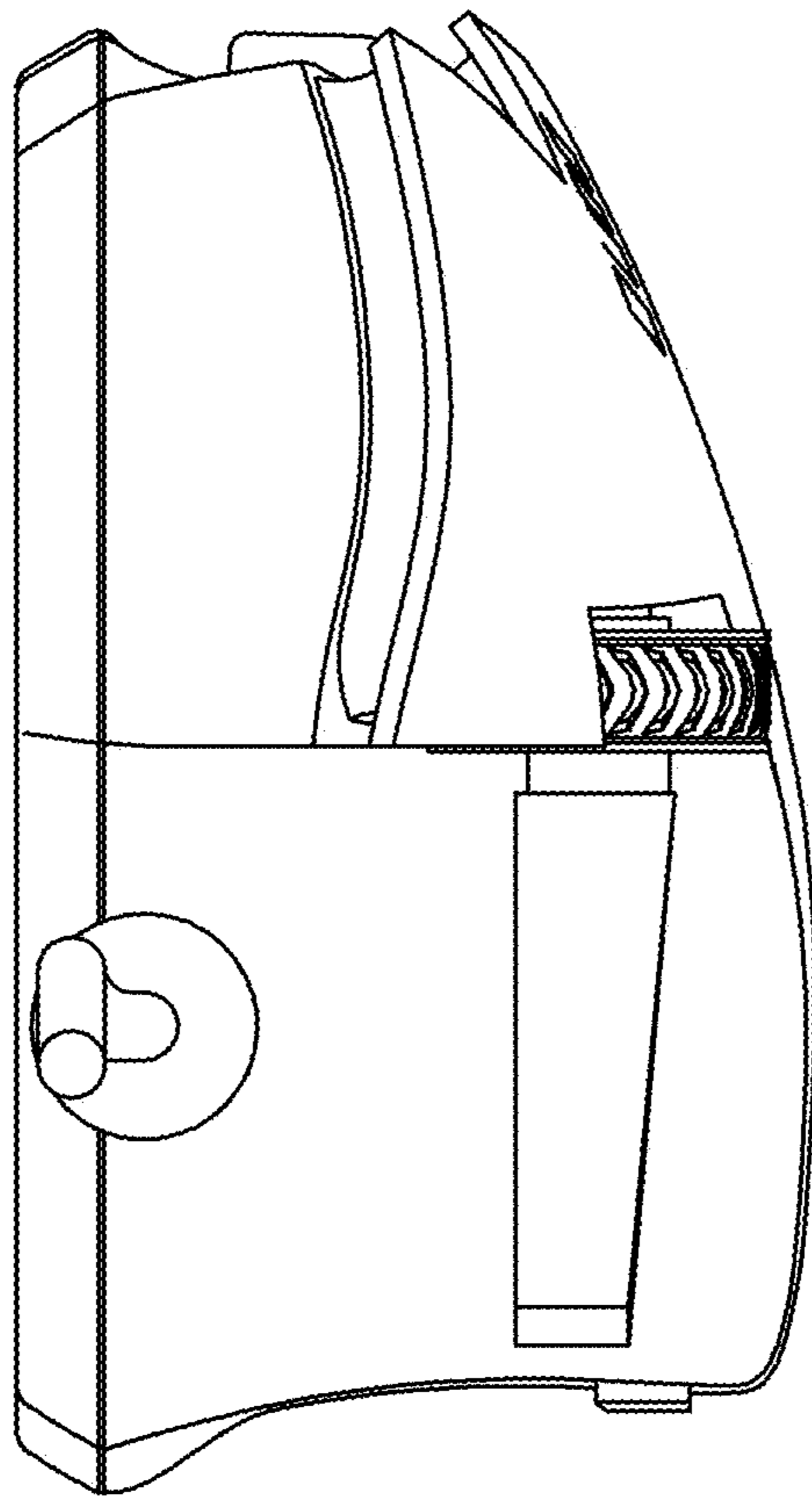


FIG. 5

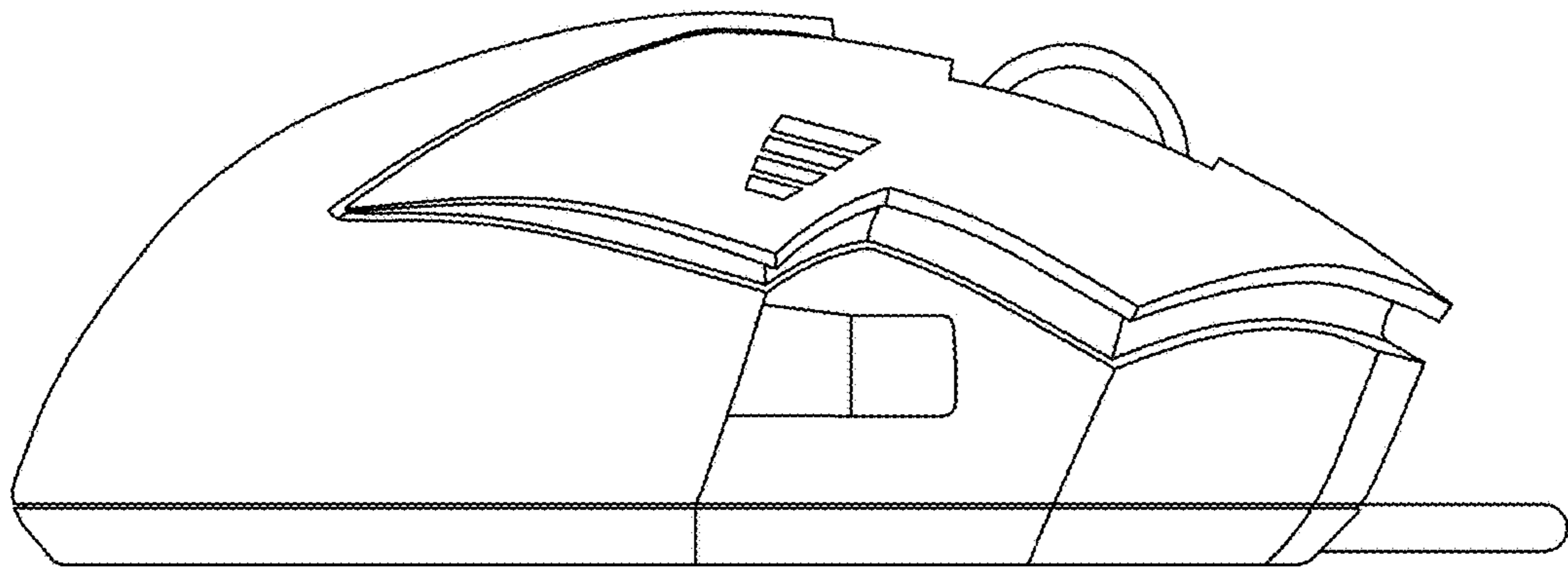


FIG. 6

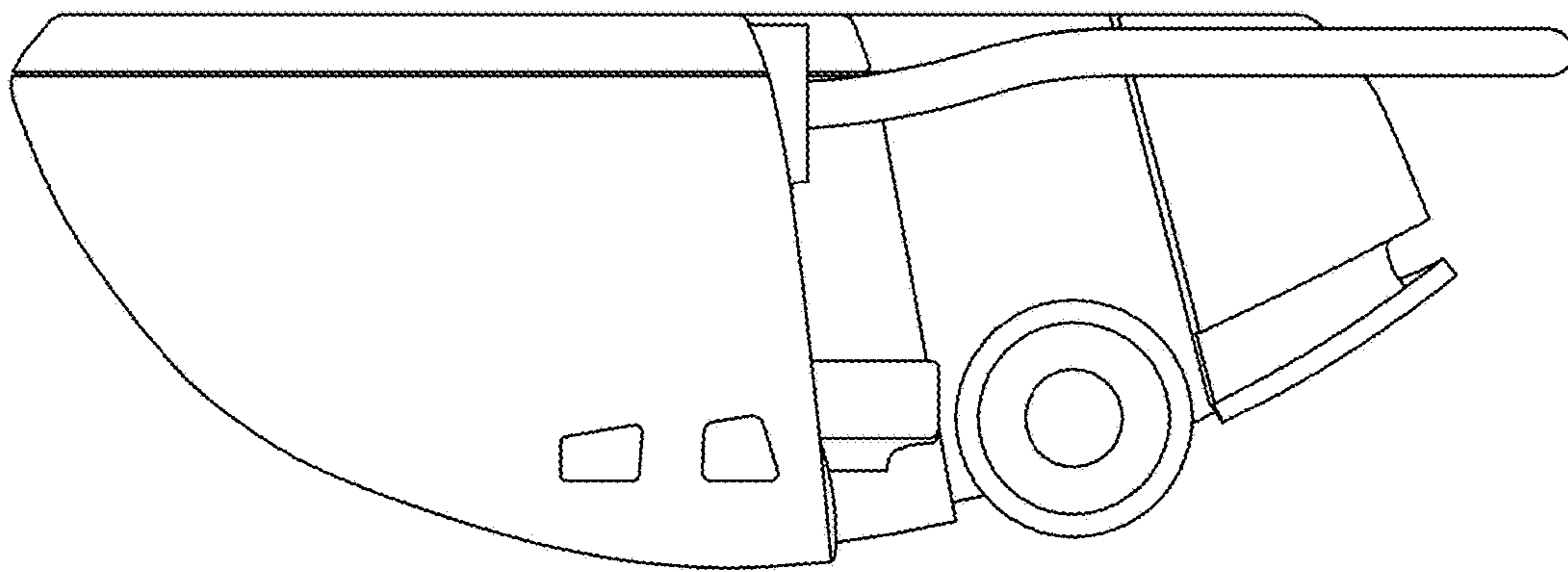


FIG. 7