



US00D813867S

(12) **United States Design Patent** (10) **Patent No.:** **US D813,867 S**
Makino et al. (45) **Date of Patent:** **** Mar. 27, 2018**

(54) **HEAD MOUNTED DISPLAY**
(71) Applicant: **Panasonic Intellectual Property Management Co., Ltd.**, Osaka (JP)
(72) Inventors: **Hiroyasu Makino**, Osaka (JP); **Katsuhiro Kitade**, Tokyo (JP)
(73) Assignee: **Panasonic Intellectual Property Management Co., Ltd.**, Osaka (JP)
(**) Term: **15 Years**
(21) Appl. No.: **29/588,896**
(22) Filed: **Dec. 23, 2016**
(30) **Foreign Application Priority Data**
Jul. 6, 2016 (JP) 2016-014340
Dec. 16, 2016 (JP) 2016-027255
(51) **LOC (11) Cl.** **14-02**
(52) **U.S. Cl.**
USPC **D14/372**
(58) **Field of Classification Search**
USPC D14/372, 496, 432, 371, 125, 126, 129, D14/299; D16/300-342; 351/158, 153,
(Continued)
(56) **References Cited**
U.S. PATENT DOCUMENTS
D439,265 S * 3/2001 Hayashi D14/372
D716,808 S * 11/2014 Yeom D14/372
(Continued)

(74) *Attorney, Agent, or Firm* — Panasonic IP Management; Kerry S. Culpepper

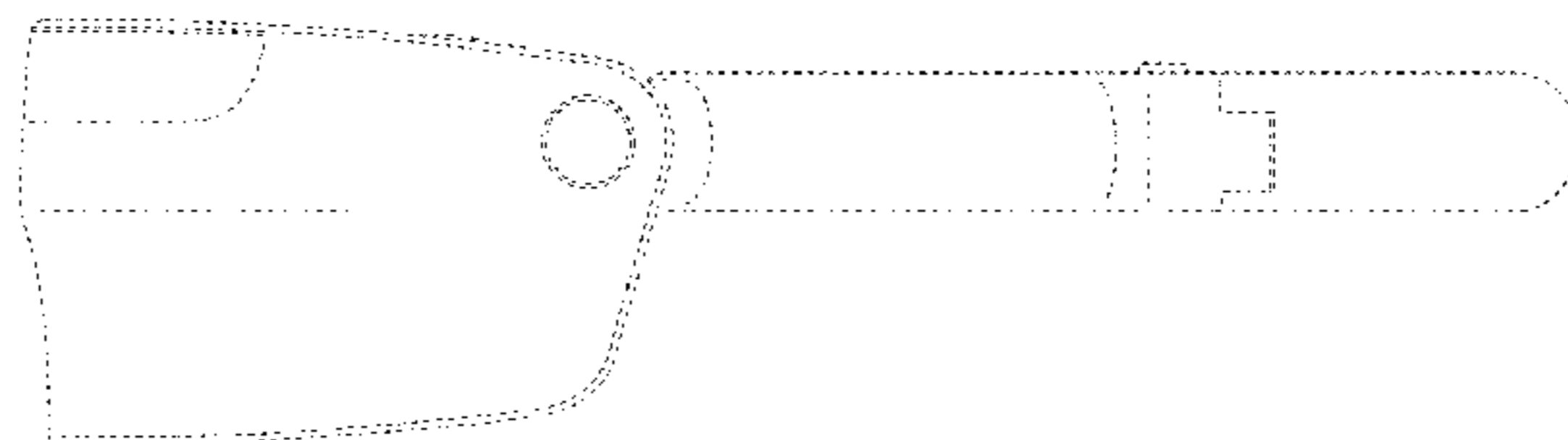
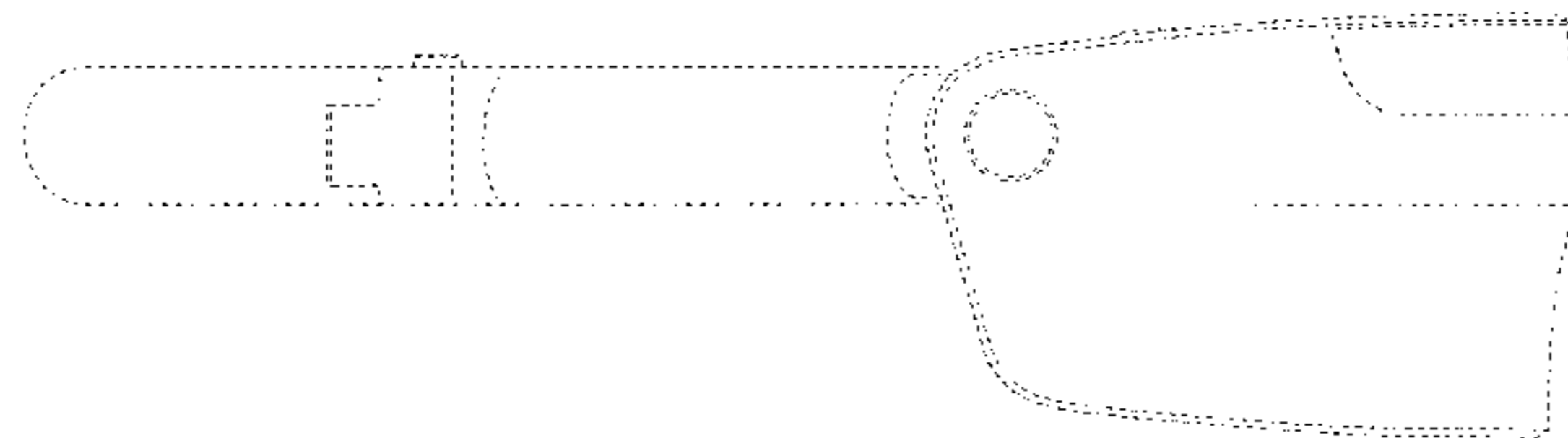
(57) **CLAIM**
We claim the ornamental design for a head mounted display, as shown and described.

DESCRIPTION

FIG. 1 is a front perspective view of a first embodiment of a head mounted display of the present invention; FIG. 2 is a rear perspective view thereof; FIG. 3 is a front view thereof; FIG. 4 is a rear view thereof; FIG. 5 is a first side view thereof; FIG. 6 is a second side view thereof; FIG. 7 is a top view thereof; FIG. 8 is a bottom view thereof; FIG. 9 is a cross-sectional view taken along the line 9-9 of FIG. 3 with the internal parts being omitted; FIG. 10 is a cross-sectional view taken along the line 10-10 of FIG. 4 with the internal parts being omitted thereof; FIG. 11 is a an enlarged view of the portion defined by 11-11 of FIG. 2 thereof; FIG. 12 is a front perspective view of a second embodiment of a head mounted display of the present invention; FIG. 13 is a rear perspective view thereof; FIG. 14 is a front view thereof; FIG. 15 is a rear view thereof; FIG. 16 is a first side view thereof; FIG. 17 is a second side view thereof; FIG. 18 is a top view thereof; FIG. 19 is a bottom view thereof; FIG. 20 is a cross-sectional view taken along the line 20-20 of FIG. 14 with the internal parts being omitted thereof; FIG. 21 is a cross-sectional view taken along the line 21-21 of FIG. 15 with the internal parts being omitted thereof; and, FIG. 22 is an enlarged view of the portion defined by 22-22 of FIG. 13 thereof.
The evenly spaced broken lines represent portions of the head mounted display that form no part of the claimed design.

Primary Examiner — Austin Murphy

1 Claim, 22 Drawing Sheets



(58) **Field of Classification Search**

USPC 351/144; 345/7-9, 905; 455/344;
348/115, 53, 121, 739
CPC G02B 27/017; G02B 27/0158; G02B
27/0161; G02B 27/0181; G02B 27/0185;
G02B 27/0189

See application file for complete search history.

(56) **References Cited**

U.S. PATENT DOCUMENTS

D738,373	S	*	9/2015	Davies	D14/372
D738,420	S	*	9/2015	Lee	D14/372
D740,284	S	*	10/2015	Maeda	D14/372
D745,007	S	*	12/2015	Cazalet	D14/372
D761,796	S	*	7/2016	Heinrich	D14/372
D763,258	S	*	8/2016	Cazalet	D14/372
D765,076	S	*	8/2016	Rochat	D14/372
D766,895	S	*	9/2016	Choi	D14/372
D768,628	S	*	10/2016	Choi	D14/372
D807,355	S	*	1/2018	Tabata	D14/372

* cited by examiner

FIG. 1

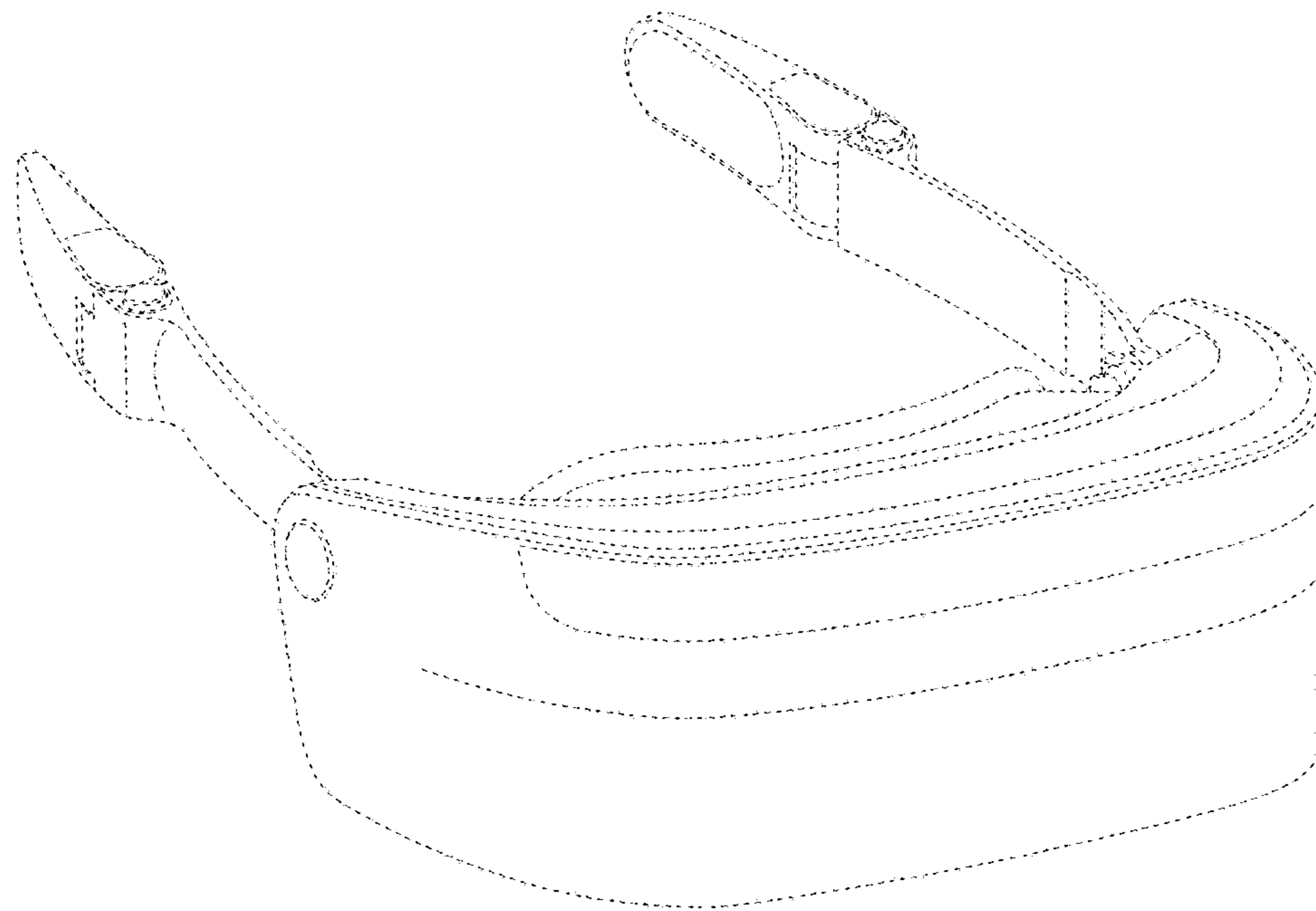


FIG. 2

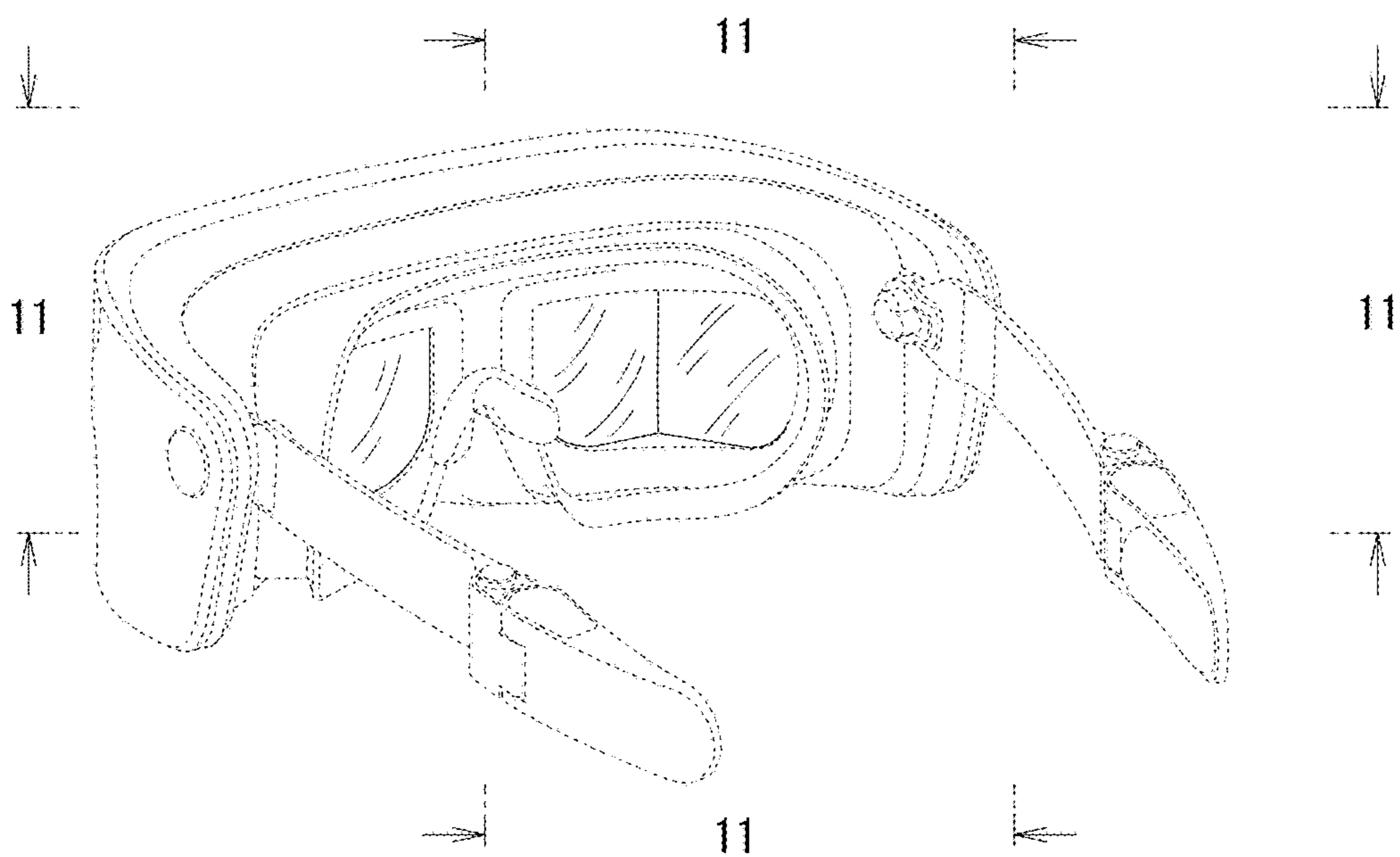


FIG. 3

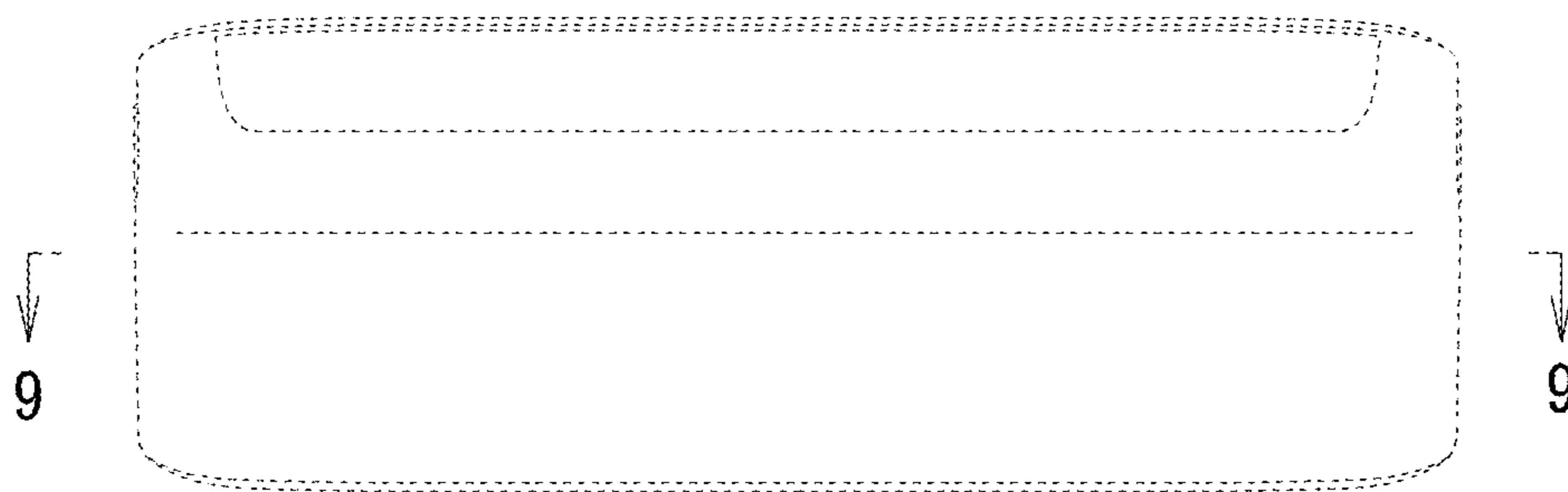


FIG. 4

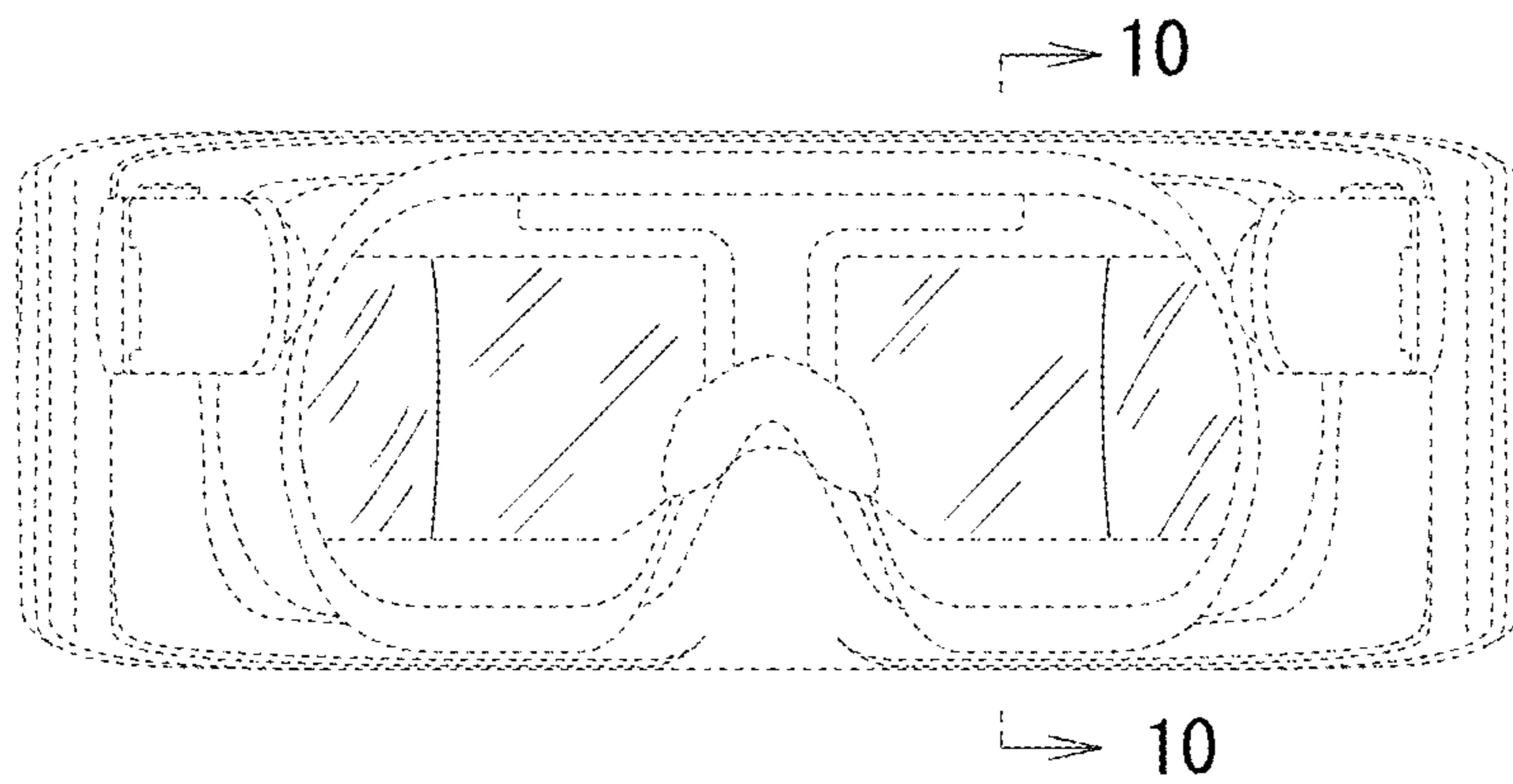


FIG. 5

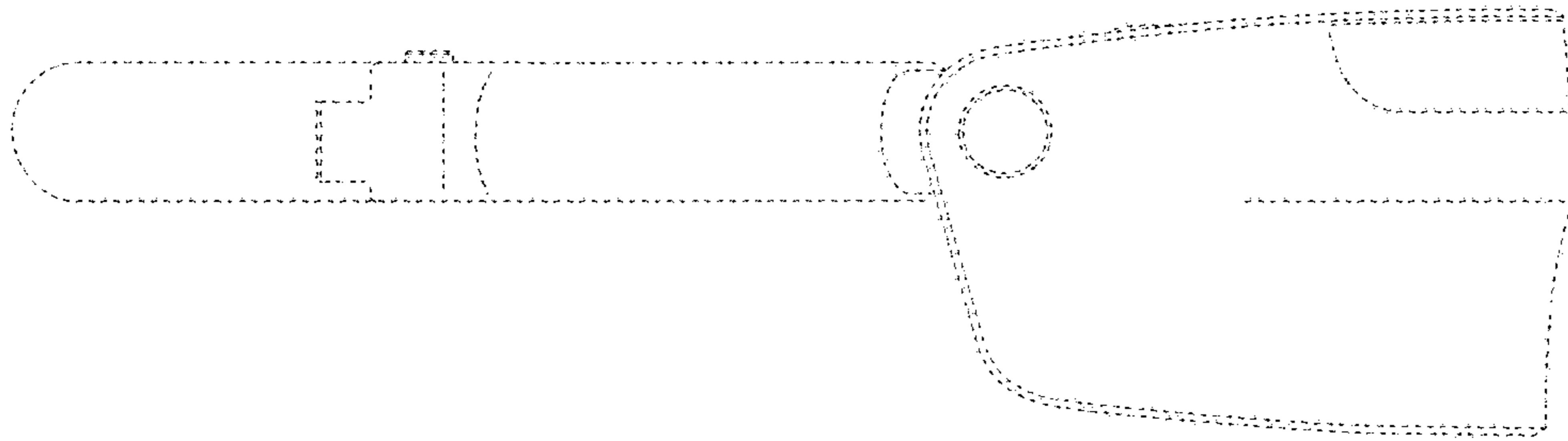


FIG. 6

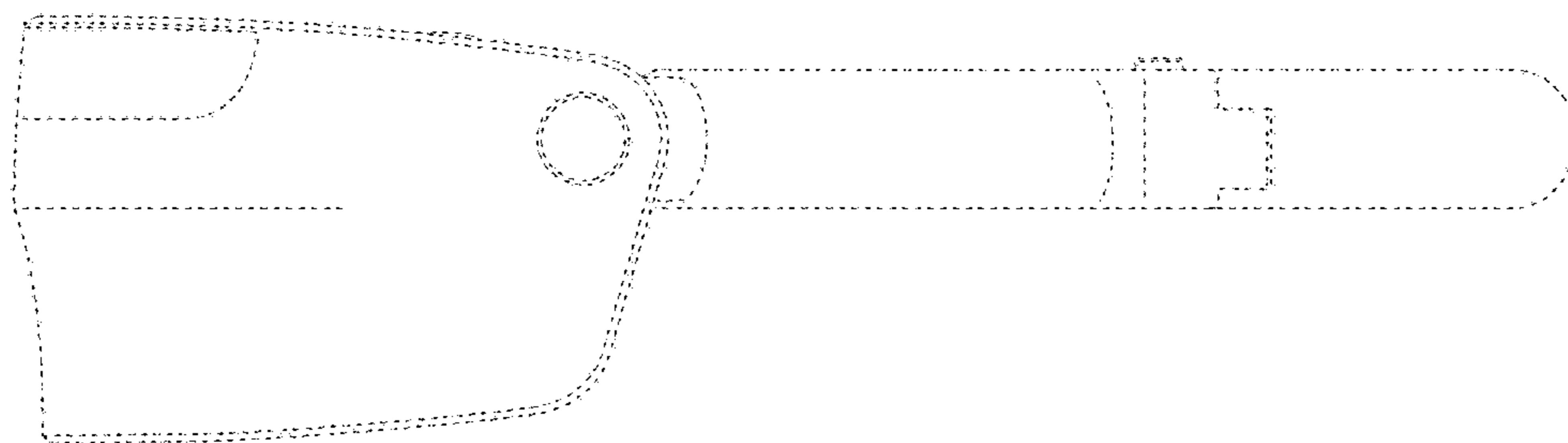


FIG. 7

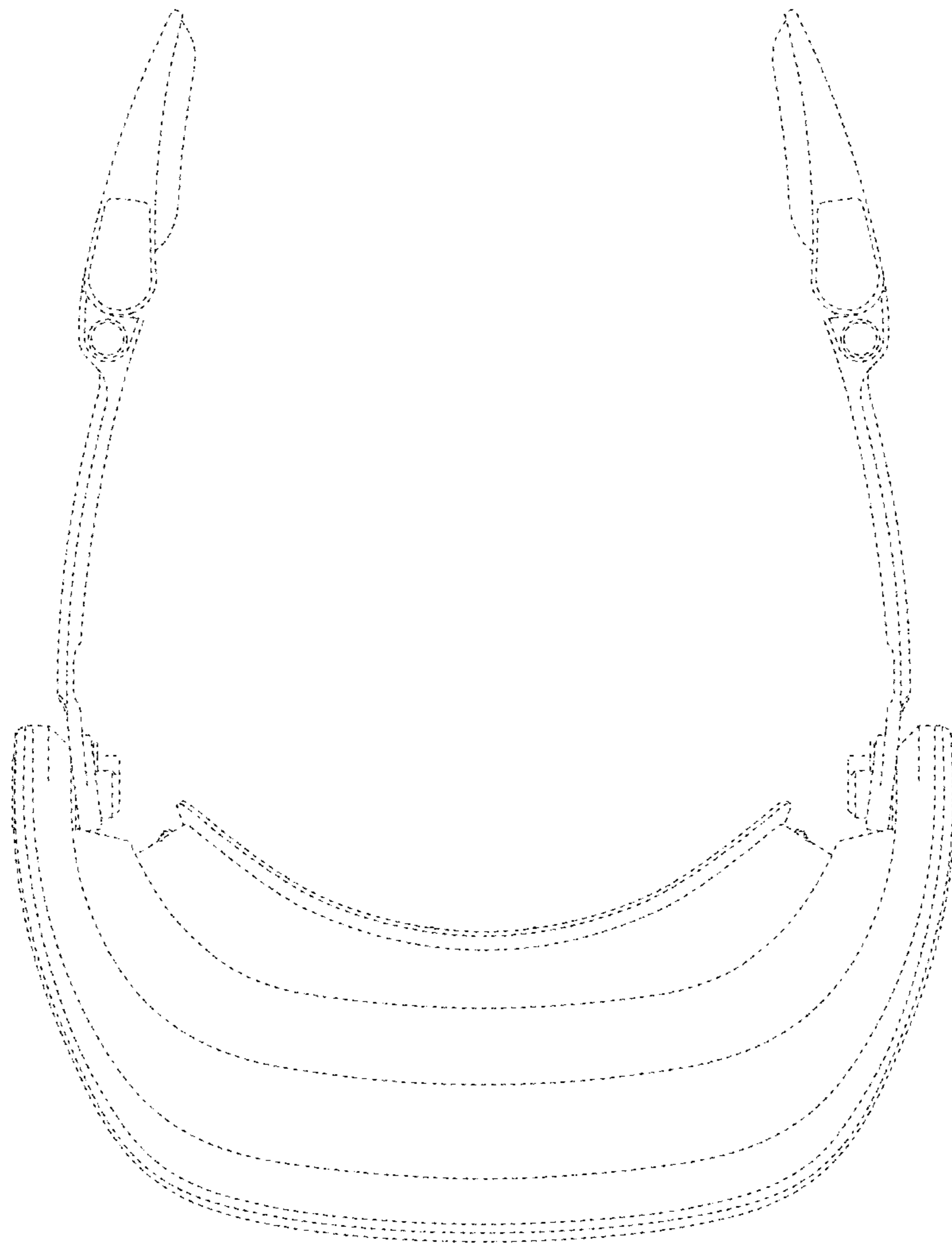


FIG. 8

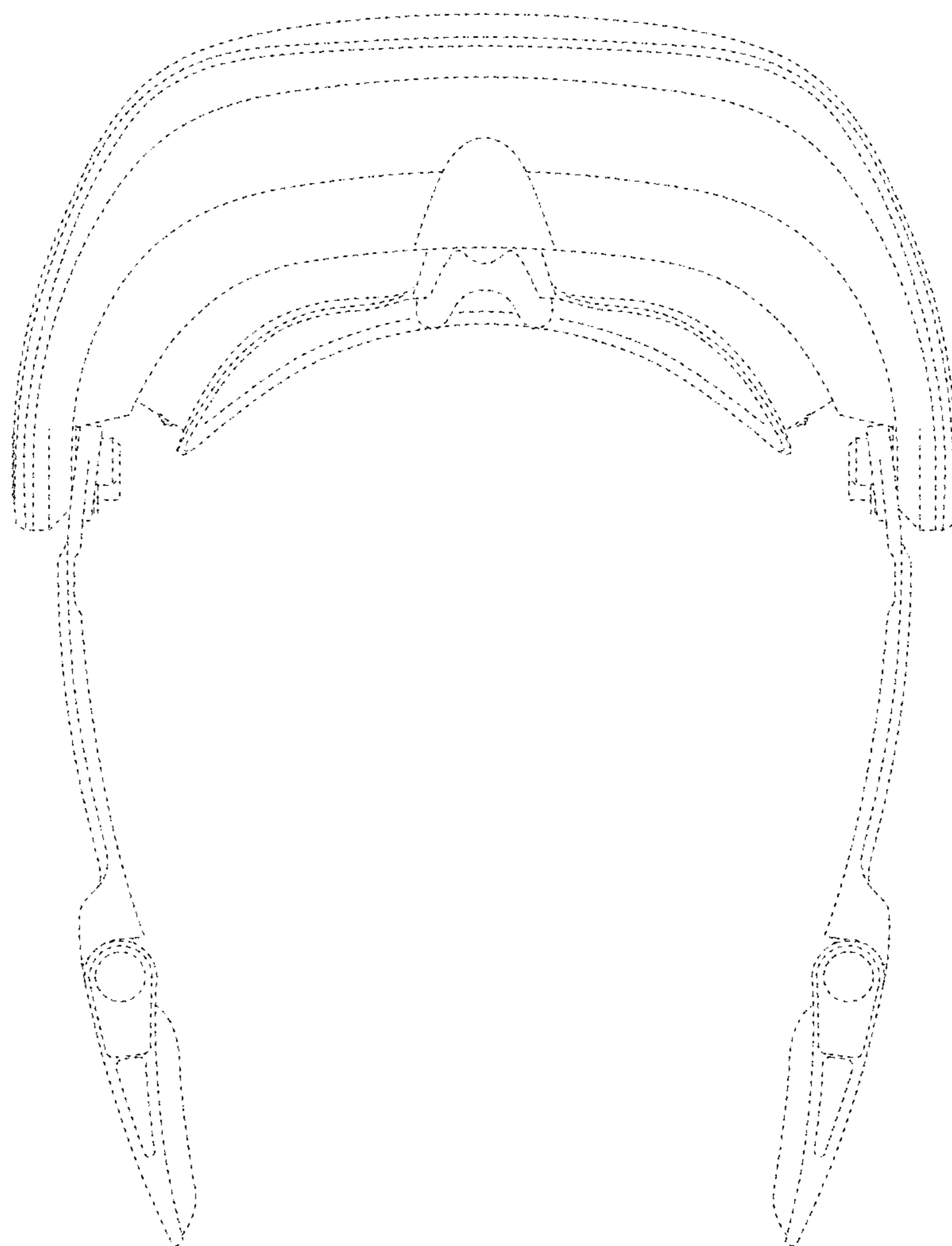


FIG. 9

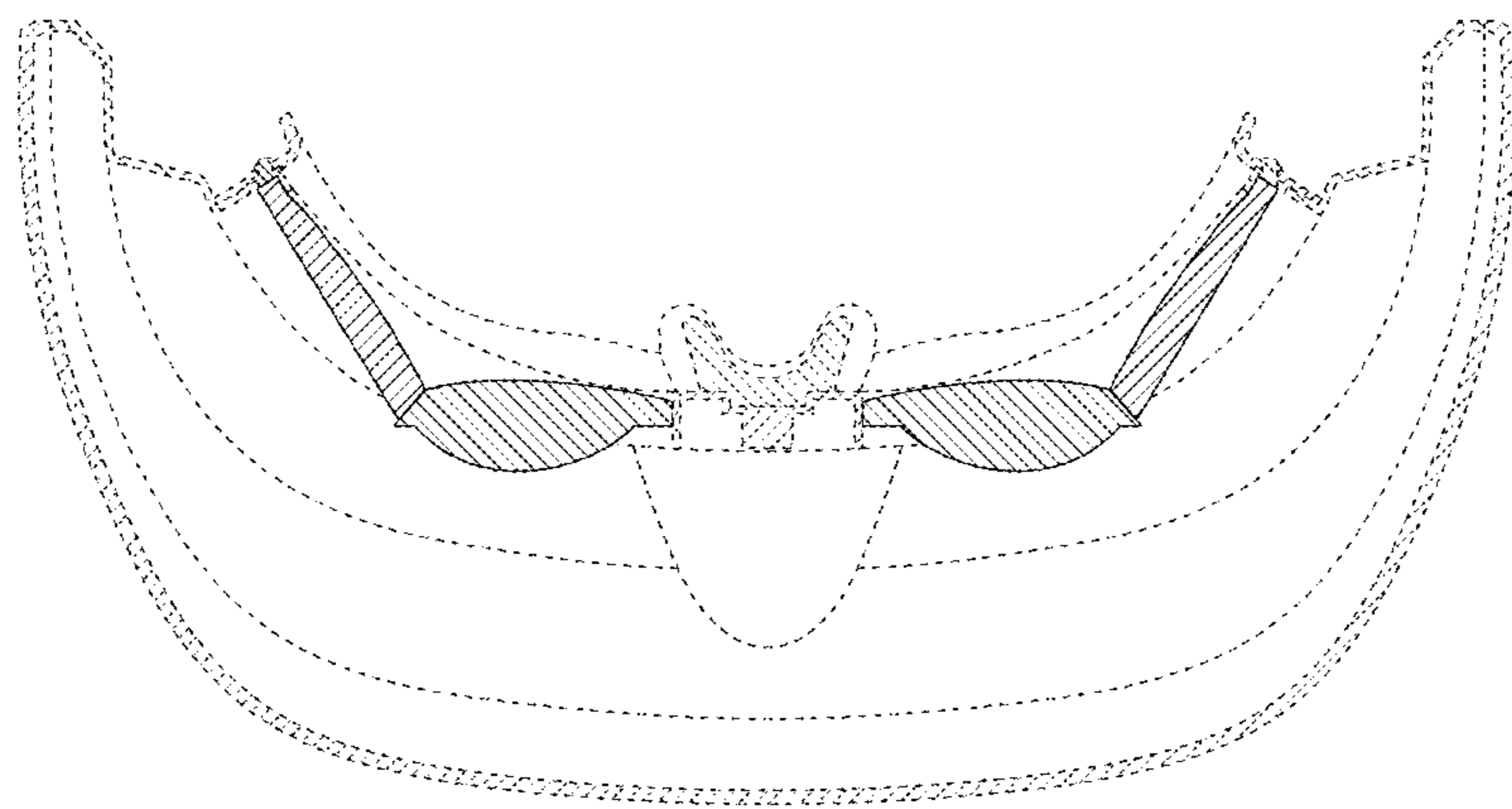


FIG. 10

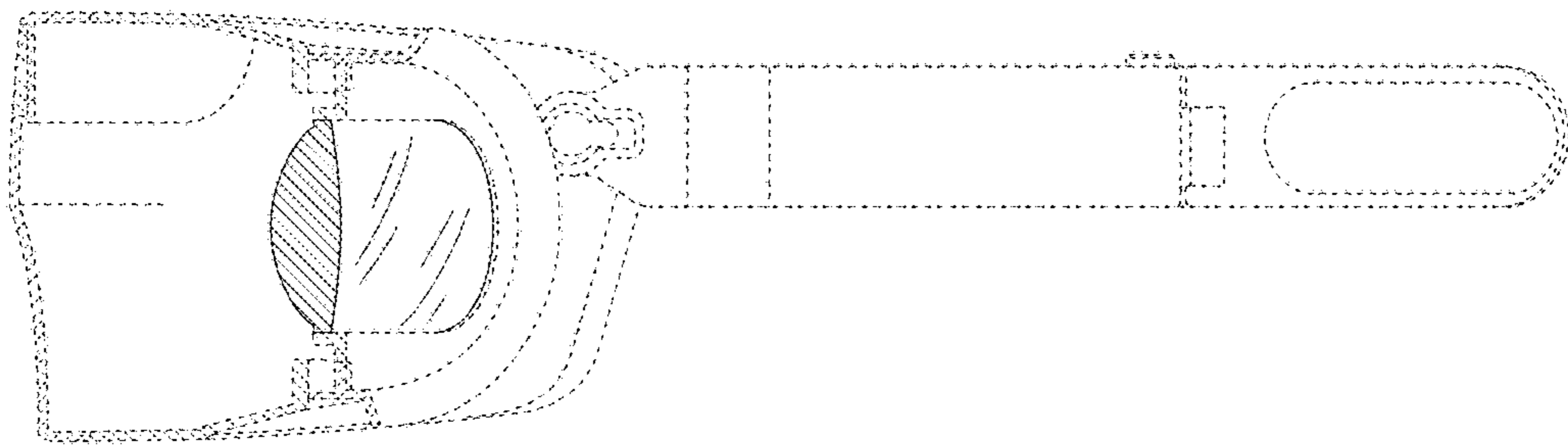


FIG. 11

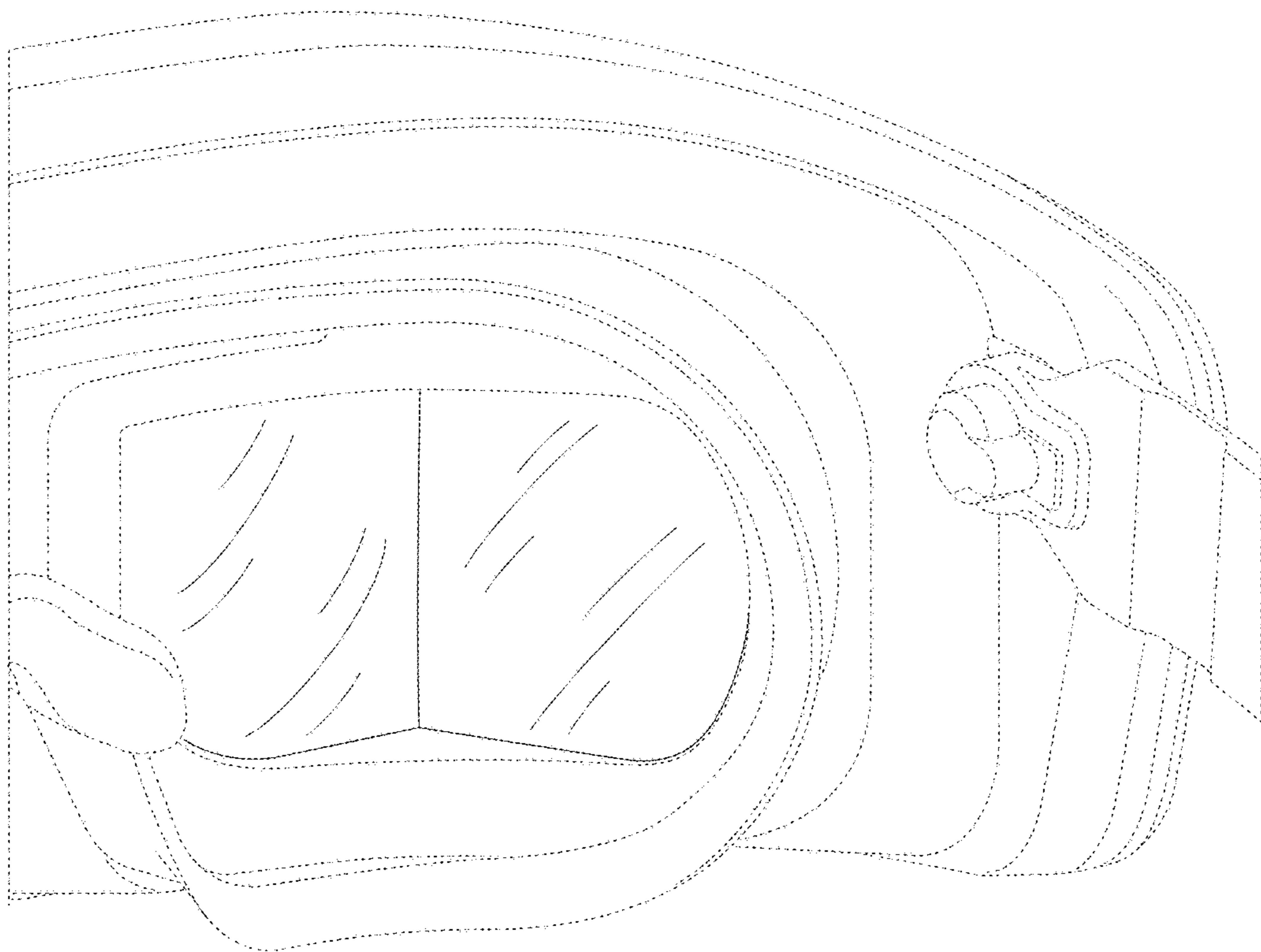


FIG. 12

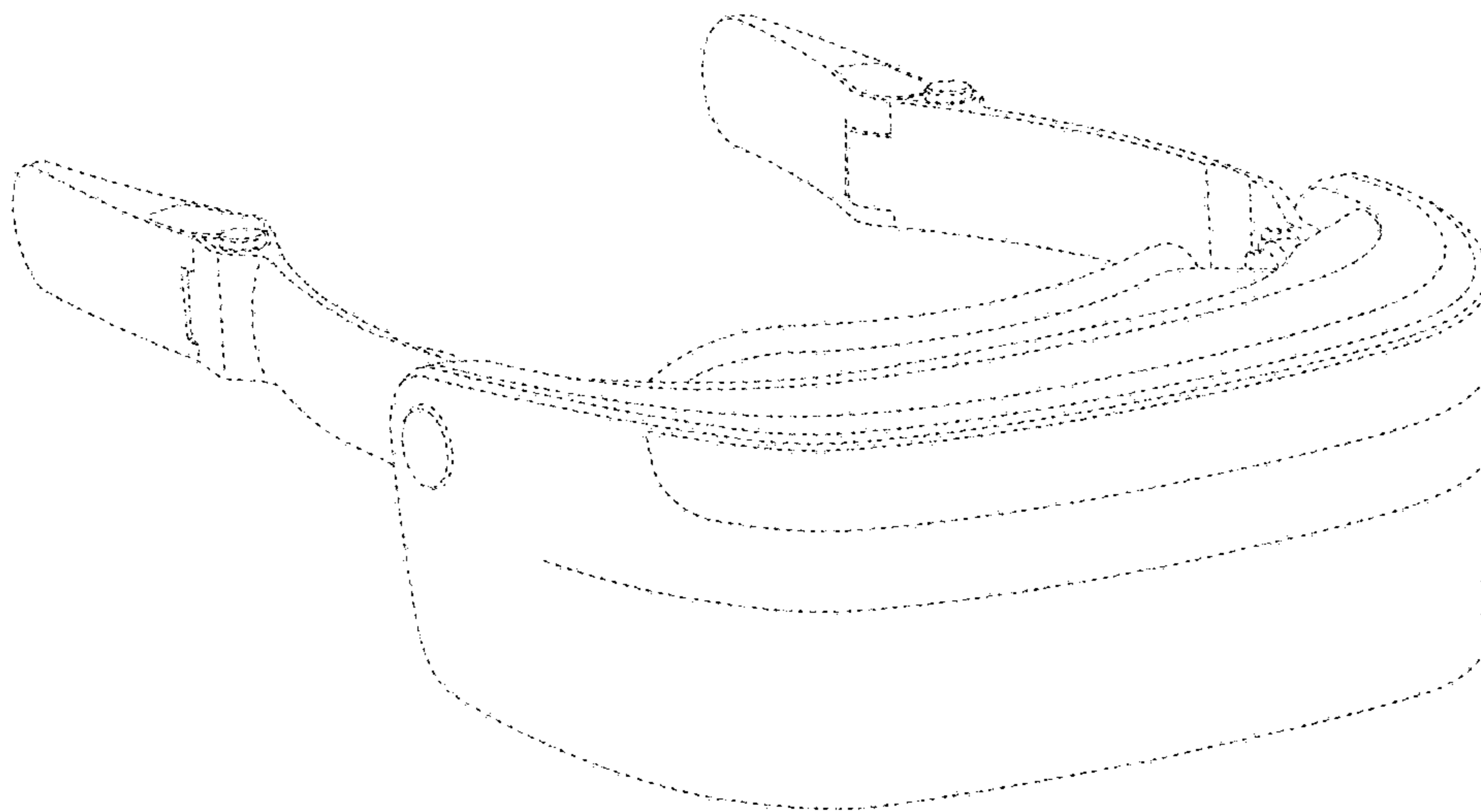


FIG. 13

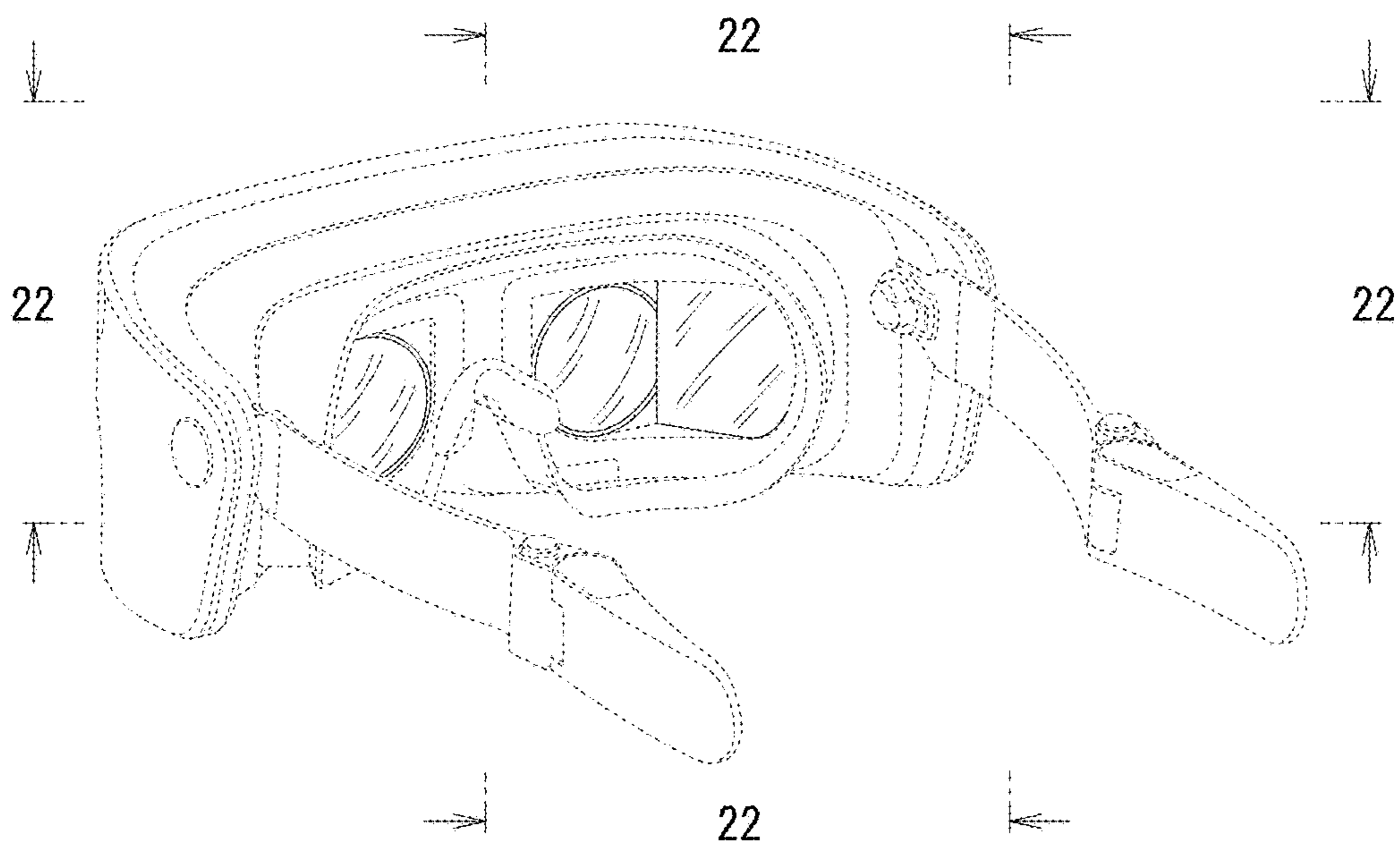


FIG. 14

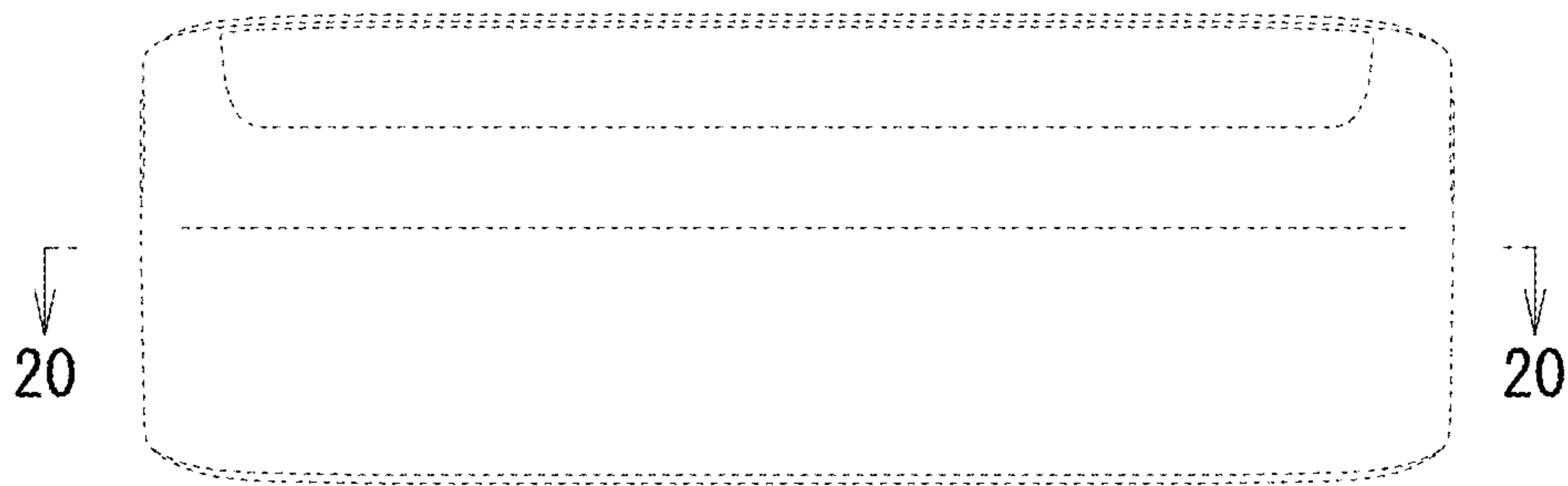


FIG. 15

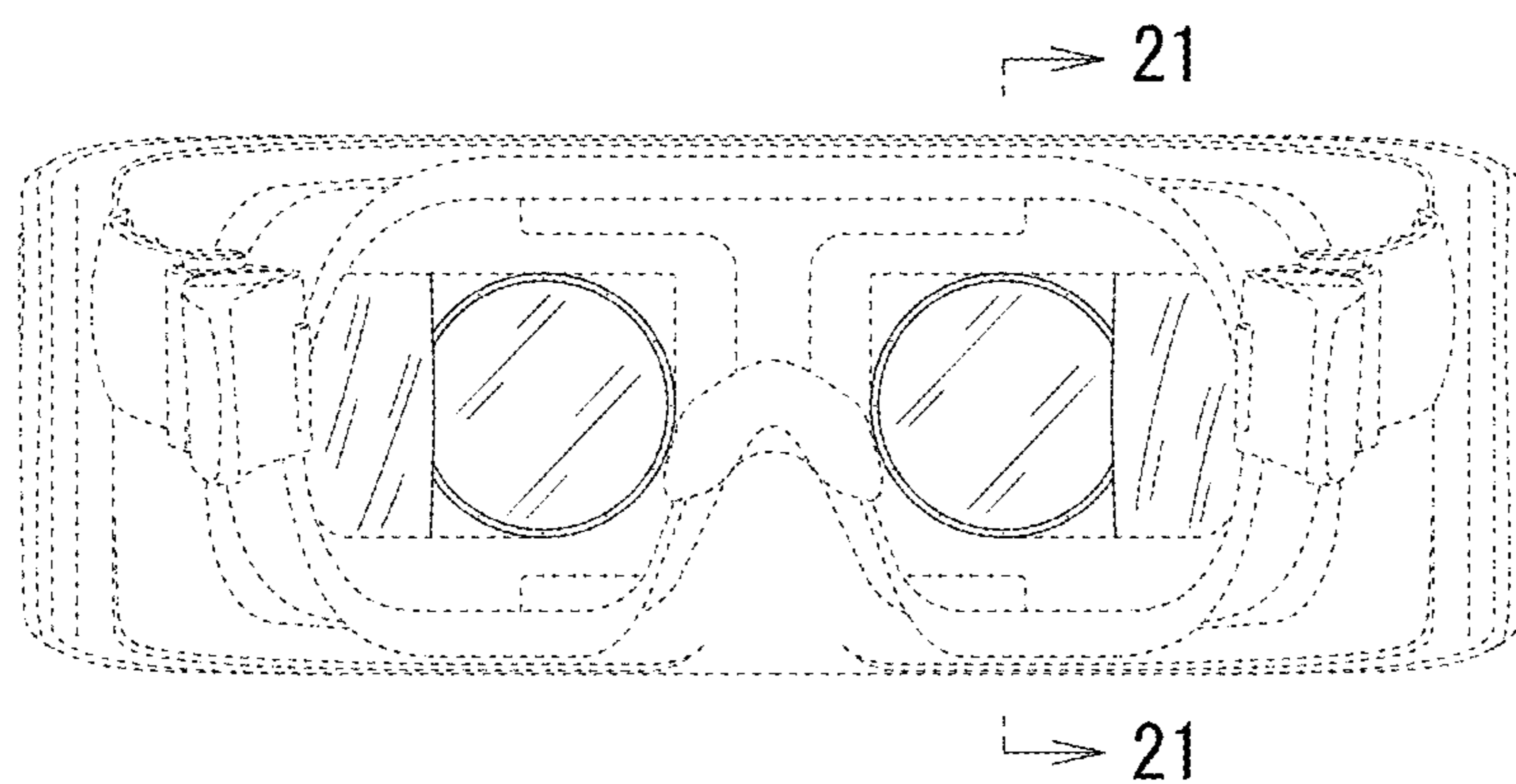


FIG. 16

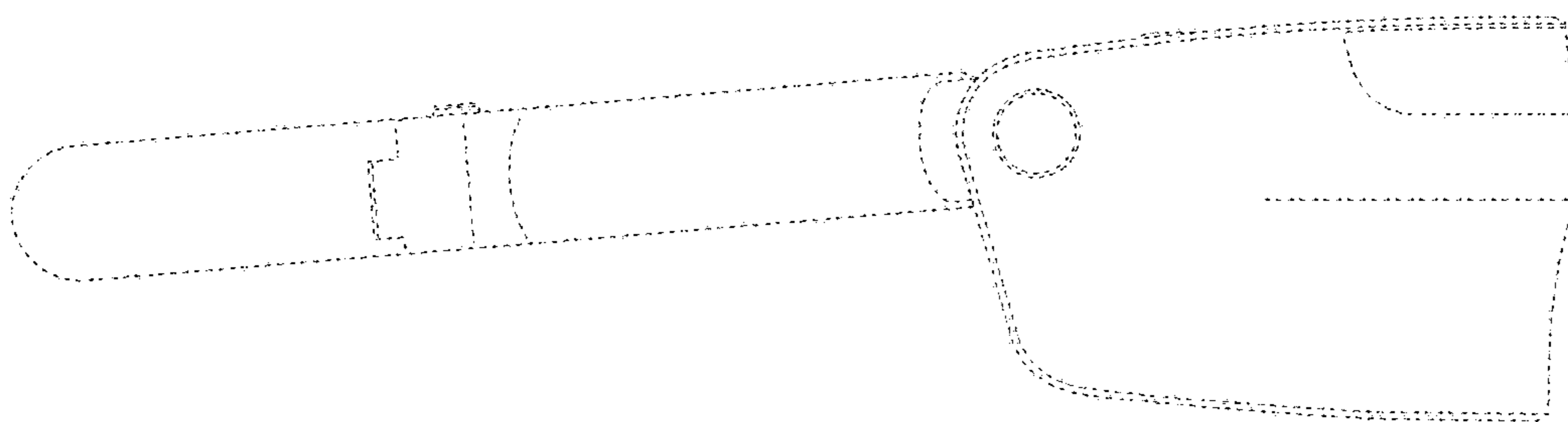


FIG. 17

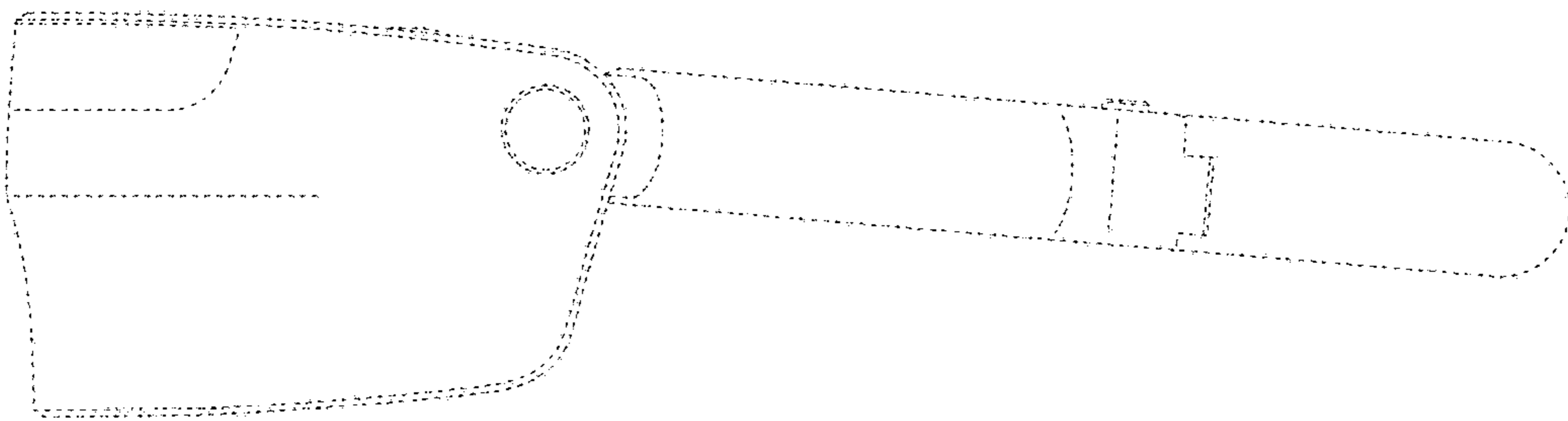


FIG. 18

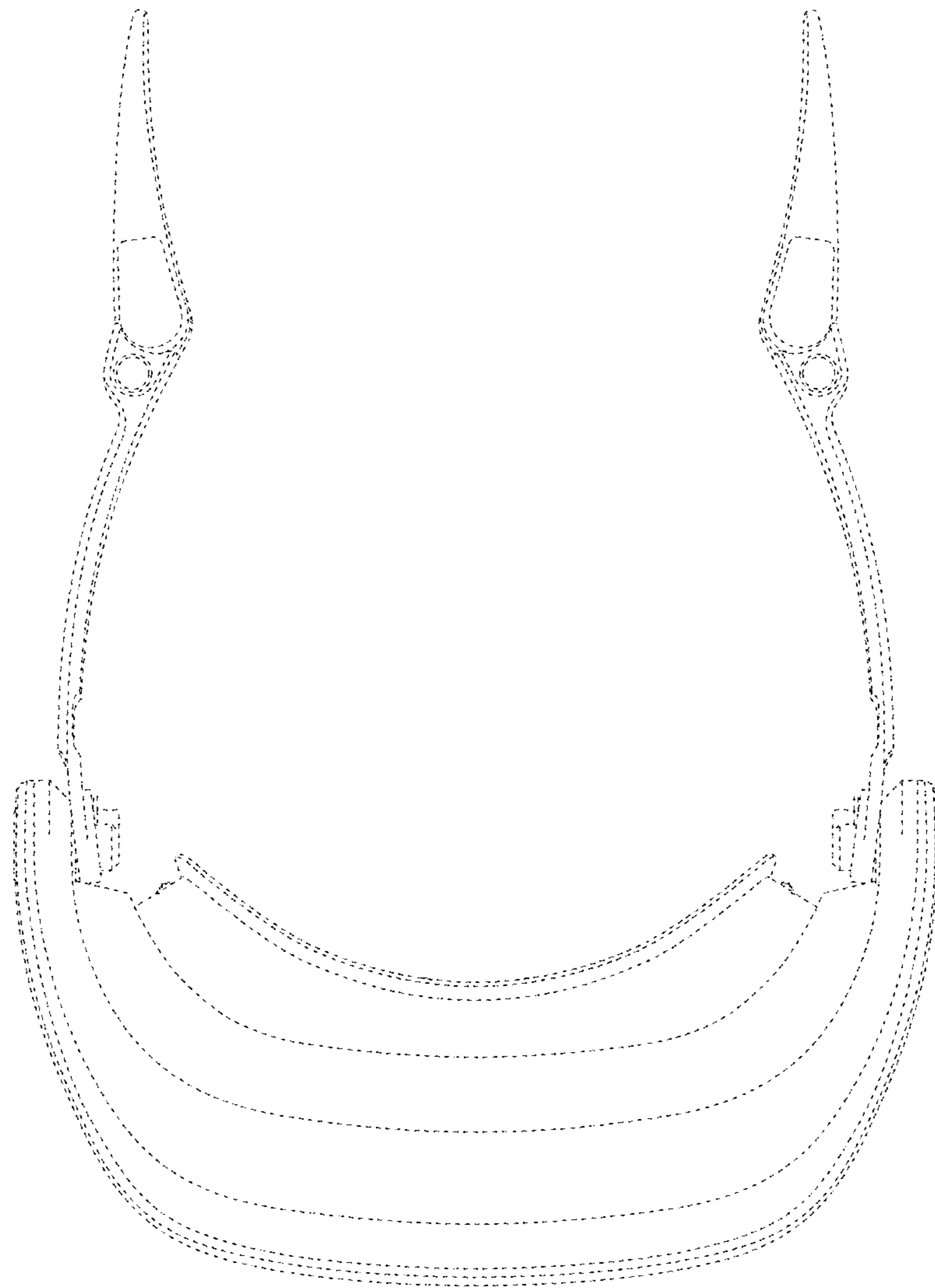


FIG. 19

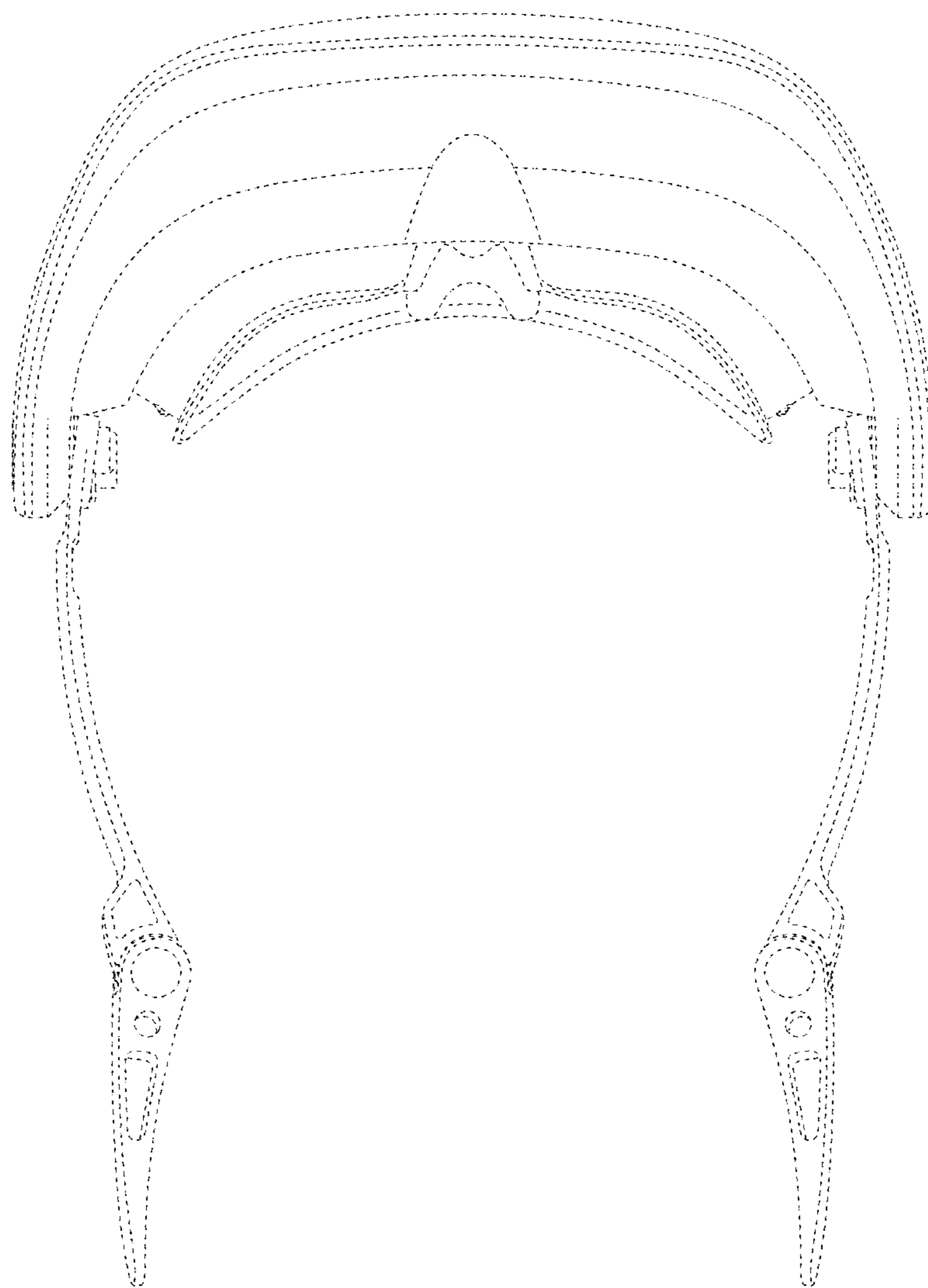


FIG. 20

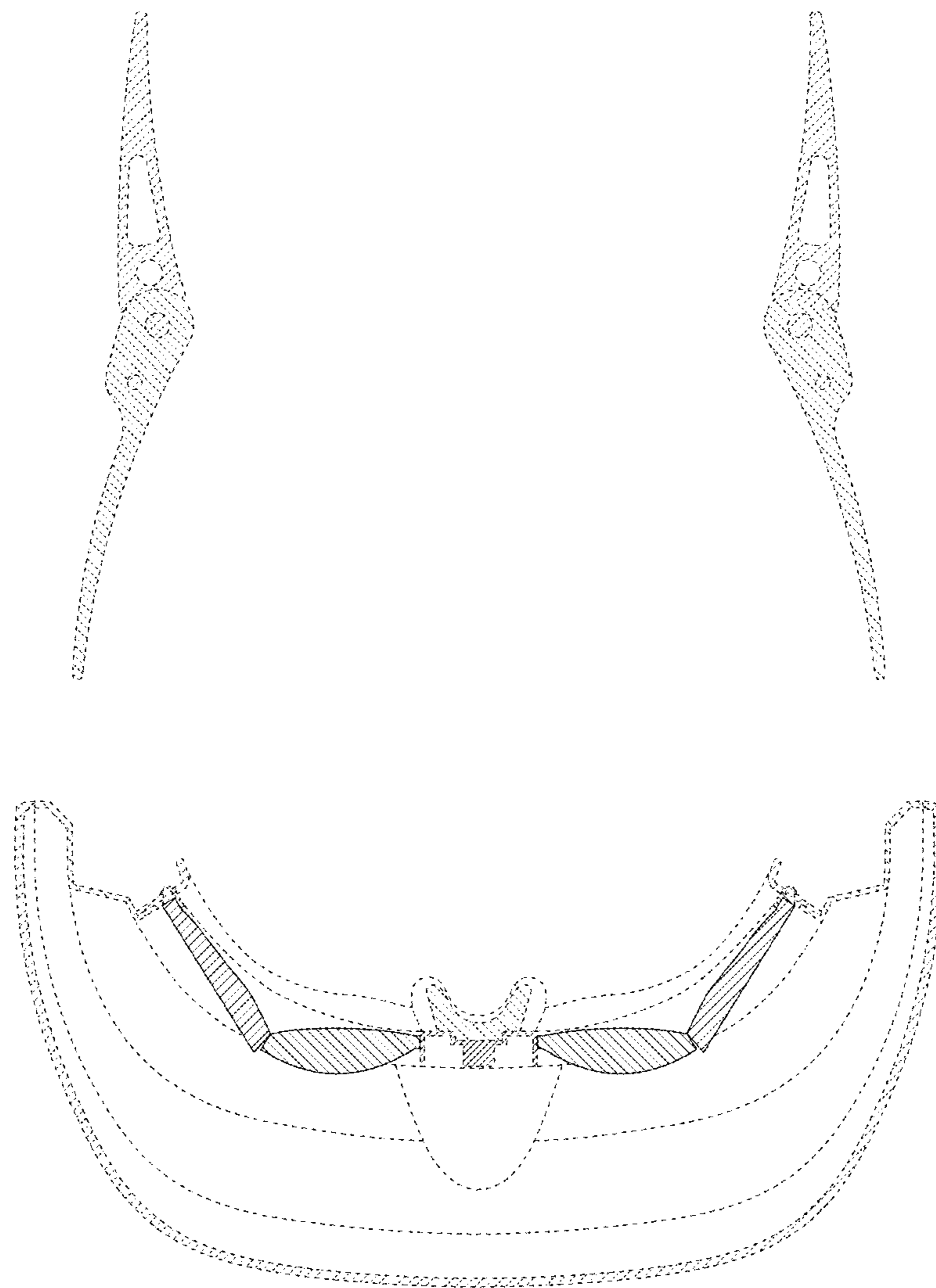


FIG. 21

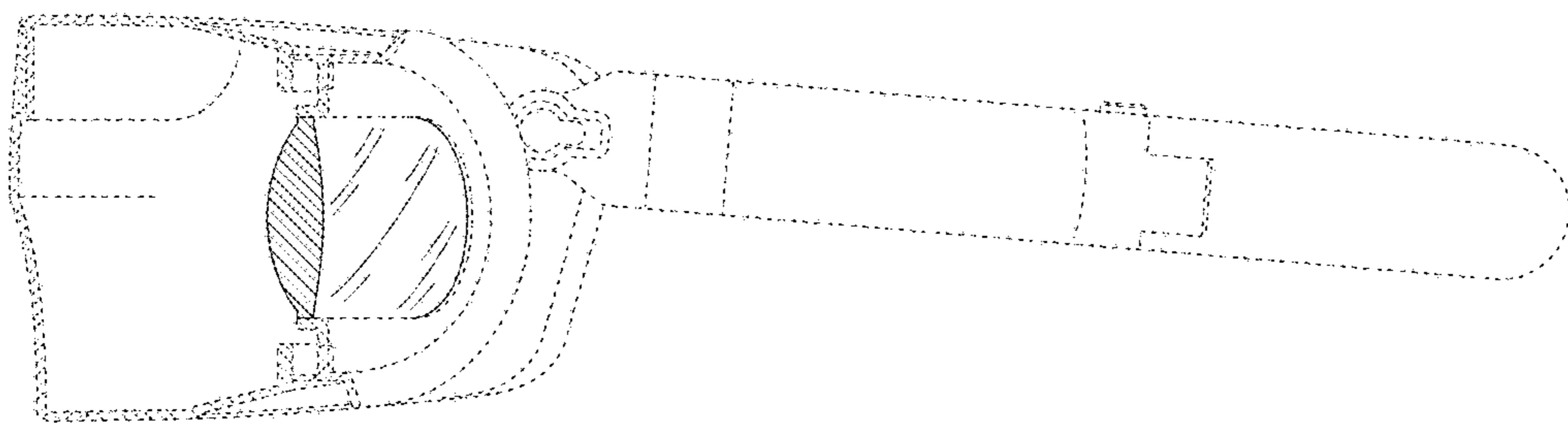


FIG. 22

