



US00D813866S

(12) **United States Design Patent** (10) **Patent No.:** **US D813,866 S**  
**Elmieh et al.** (45) **Date of Patent:** **\*\* Mar. 27, 2018**

(54) **ELECTRONIC DEVICE**

(56) **References Cited**

(71) Applicant: **Facebook, Inc.**, Menlo Park, CA (US)

U.S. PATENT DOCUMENTS

(72) Inventors: **Baback Elmieh**, Palo Alto, CA (US);  
**Alexandre Jais**, Menlo Park, CA (US);  
**Rex Wenters Crossen**, Piedmont, CA  
(US); **Steve Sangik Lee**, San Francisco,  
CA (US); **Achille Biteau**, San  
Francisco, CA (US); **Victoria Slaker**,  
San Francisco, CA (US); **Clara**  
**Stefanov Wagner**, San Francisco, CA  
(US); **Zoltan Laszlo**, San Francisco,  
CA (US); **Arturo Meuniot**, San  
Francisco, CA (US)

D380,199	S	*	6/1997	Beruscha	.....	D10/75
D468,272	S	*	1/2003	Parsadayan	.....	D13/162
D511,343	S	*	11/2005	Solomon	.....	D14/356
D532,785	S	*	11/2006	Lo	.....	D14/363
D587,267	S	*	2/2009	Wang	.....	D14/356
D587,659	S	*	3/2009	Li	.....	D13/162
D618,676	S	*	6/2010	Hui	.....	D14/300
D620,006	S	*	7/2010	Bull	.....	D14/356
D658,598	S	*	5/2012	Ling	.....	D13/177
D658,647	S	*	5/2012	Tsai	.....	D14/356
D673,554	S	*	1/2013	Simmer	.....	D14/250
D705,719	S	*	5/2014	Wong	.....	D13/103
D758,366	S	*	6/2016	Peng	.....	D14/363
2004/0032711	A1	*	2/2004	Kaczeus, Sr.	.....	G06F 1/184 361/679.33
2008/0144270	A1	*	6/2008	Dal Porto	.....	H05K 5/0278 361/679.31
2013/0280940	A1	*	10/2013	Pai	.....	H01R 13/62 439/345

(73) Assignee: **Facebook, Inc.**, Menlo Park, CA (US)

(\*\*) Term: **15 Years**

\* cited by examiner

(21) Appl. No.: **29/589,312**

*Primary Examiner* — Freda S Nunn

(22) Filed: **Dec. 29, 2016**

(74) *Attorney, Agent, or Firm* — Fenwick & West LLP

(51) **LOC (11) Cl.** ..... **14-02**

(57) **CLAIM**

(52) **U.S. Cl.**  
USPC ..... **D14/356**; D14/314

The ornamental design for an electronic device, as shown and described.

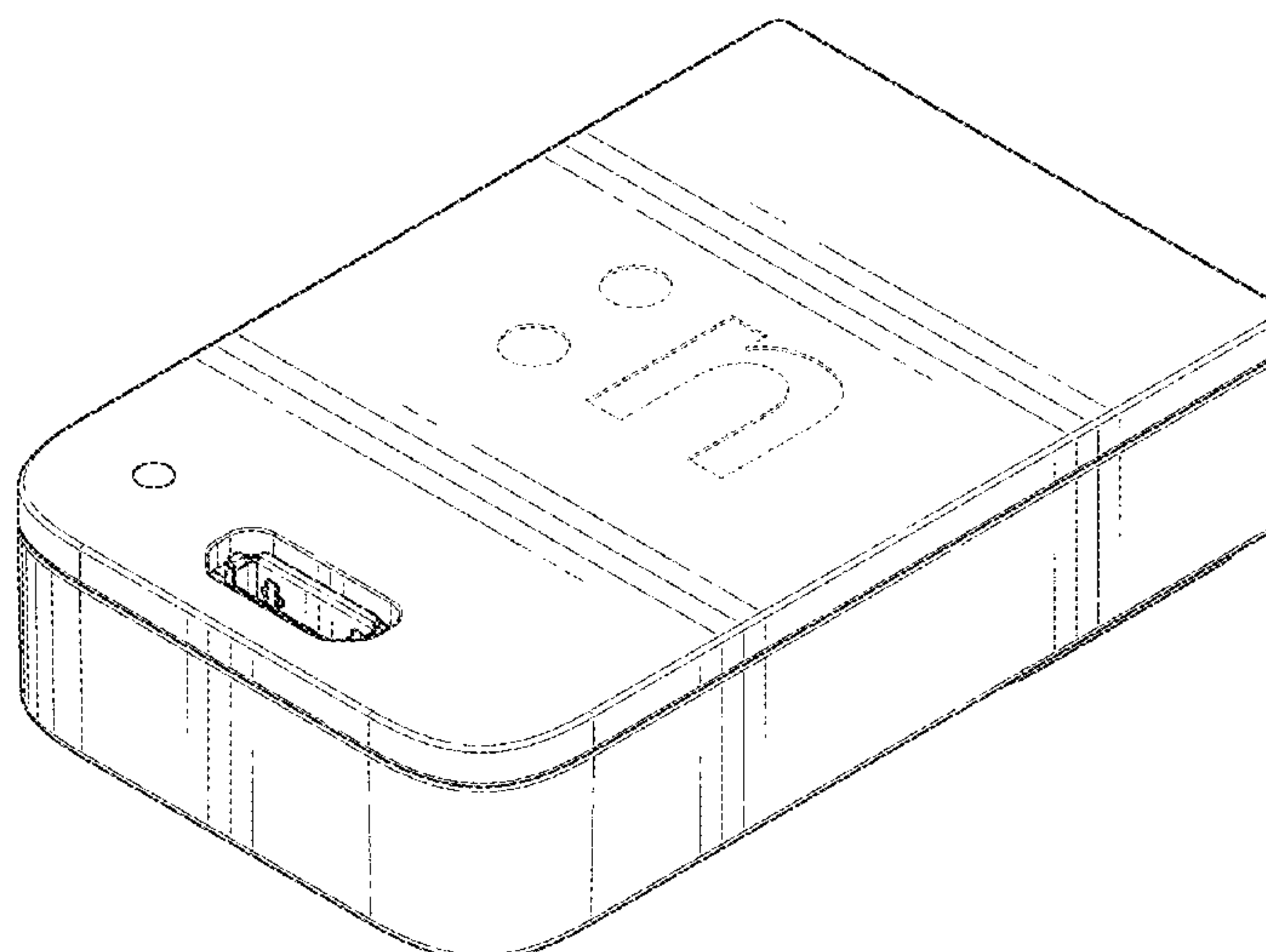
(58) **Field of Classification Search**  
USPC ..... D14/240, 300, 301, 308, 313, 314,  
D14/348–356, 364–368, 432; D13/123,  
D13/158, 184, 199, 162  
CPC . G06F 1/20; G06F 1/181; G06F 1/187; G06F  
1/183; G06F 1/184; G06F 1/16; H05K  
7/16; H05K 7/20; H05K 7/1424; H05K  
7/1409; H05K 7/20545; H05K 7/20727;  
H05K 7/1425; H05K 7/1488; H05K  
7/183; H05K 7/14; H05K 5/00; H05K  
7/00; G11B 33/126; G11B 33/128; G11B  
33/08; G11B 33/02; H05H 7/20

**DESCRIPTION**

FIG. 1 is a perspective view of an electronic device, showing our new design;  
FIG. 2 is a front view thereof;  
FIG. 3 is a rear view thereof;  
FIG. 4 is a left side view thereof;  
FIG. 5 is a right side view thereof;  
FIG. 6 is a top view thereof; and,  
FIG. 7 is a bottom view thereof.  
The broken lines in the figures form no part of the claimed design.

See application file for complete search history.

**1 Claim, 7 Drawing Sheets**



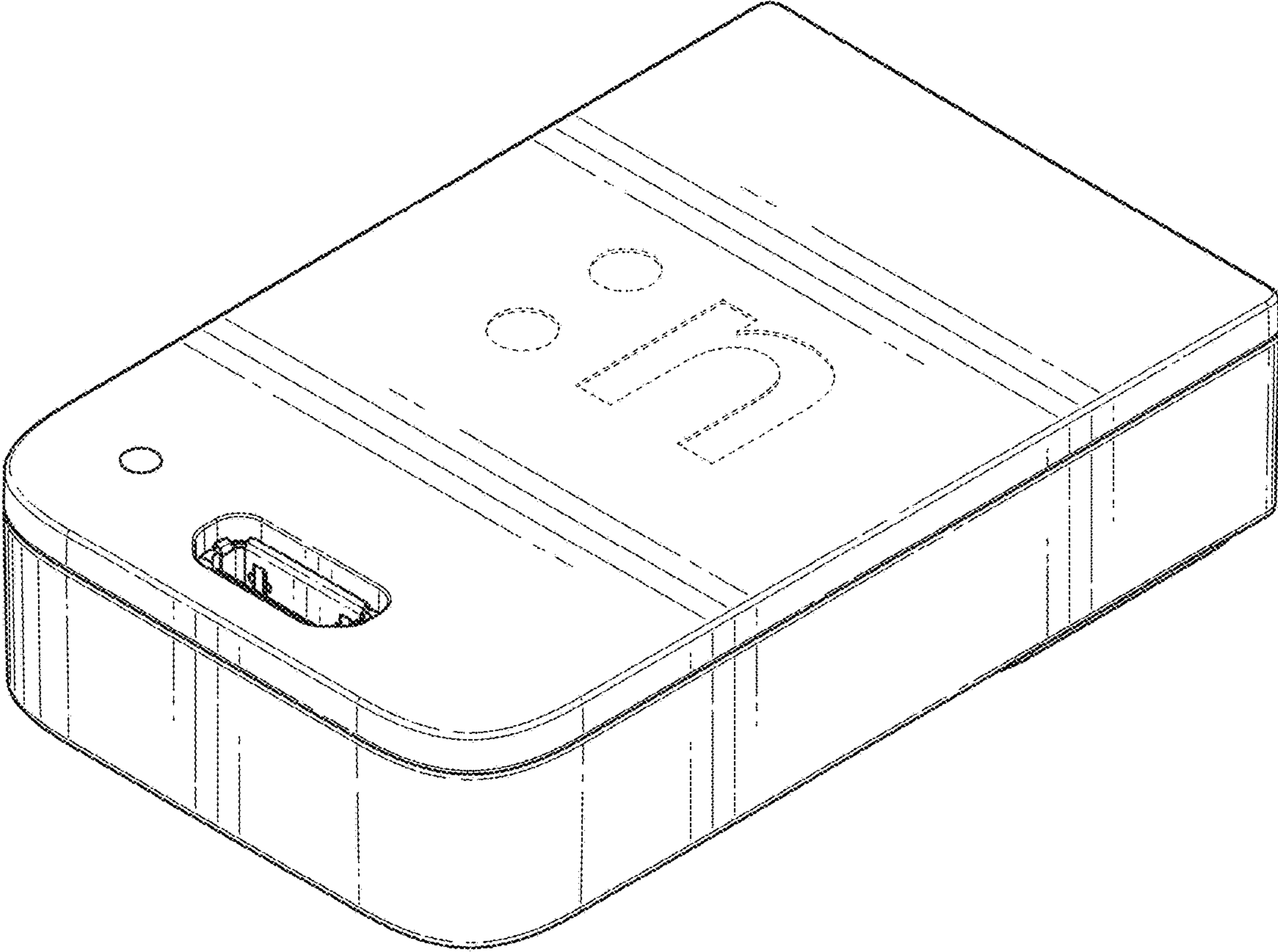


FIG. 1

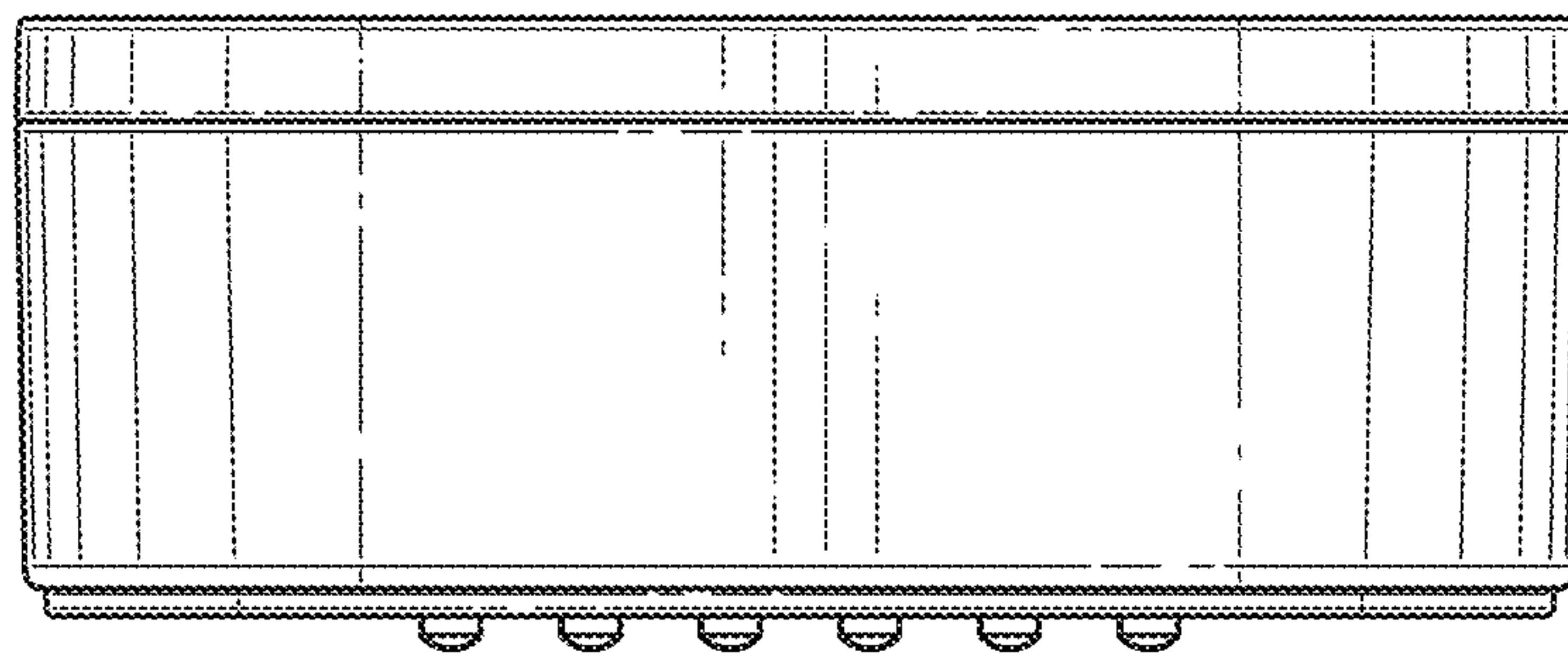


FIG. 2

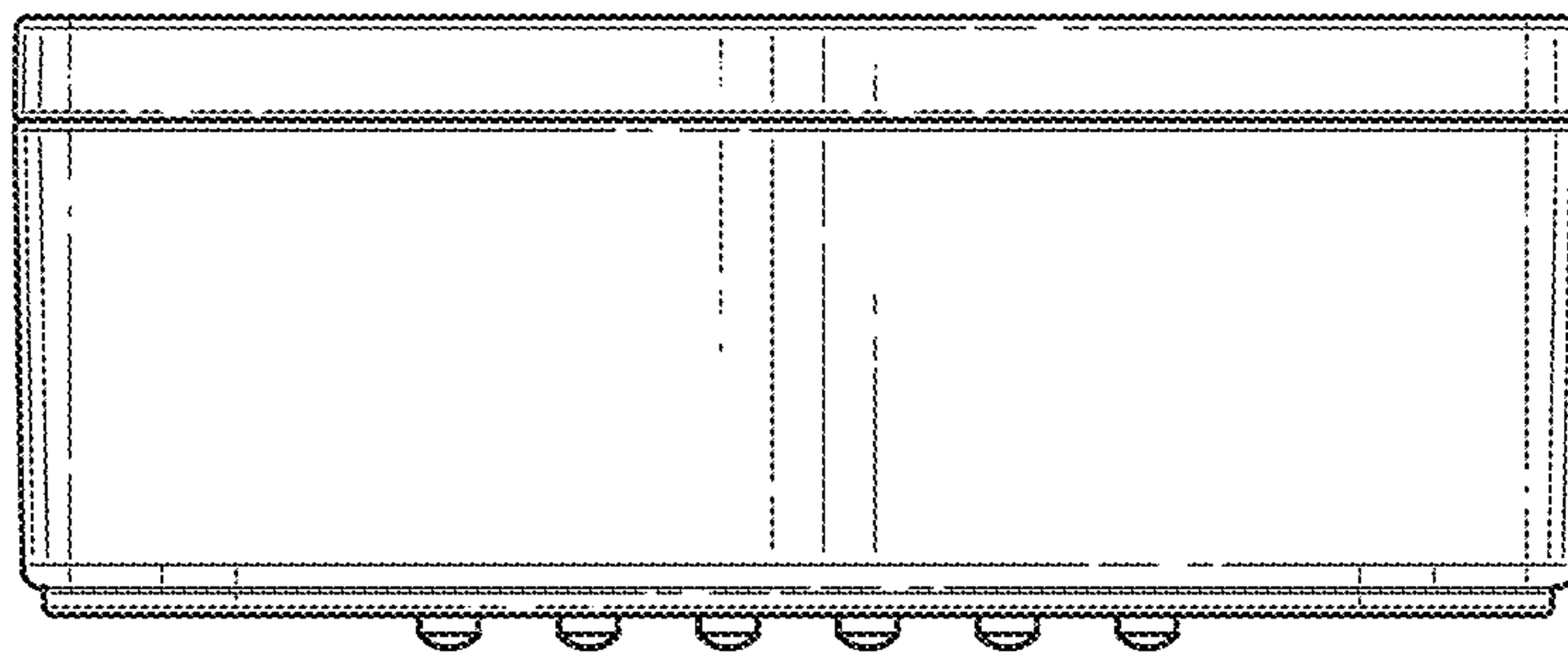


FIG. 3

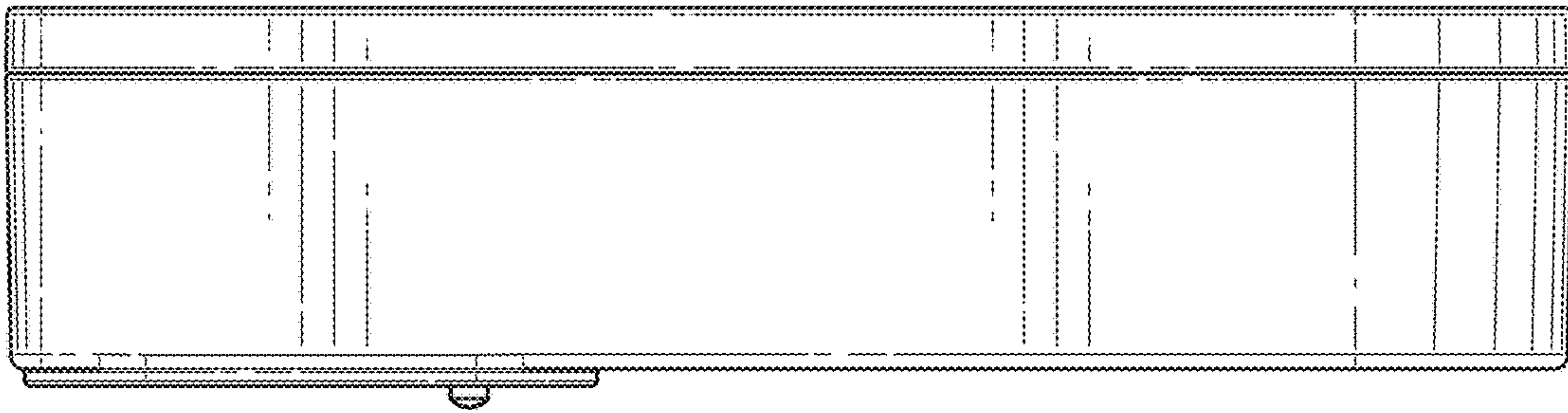


FIG. 4

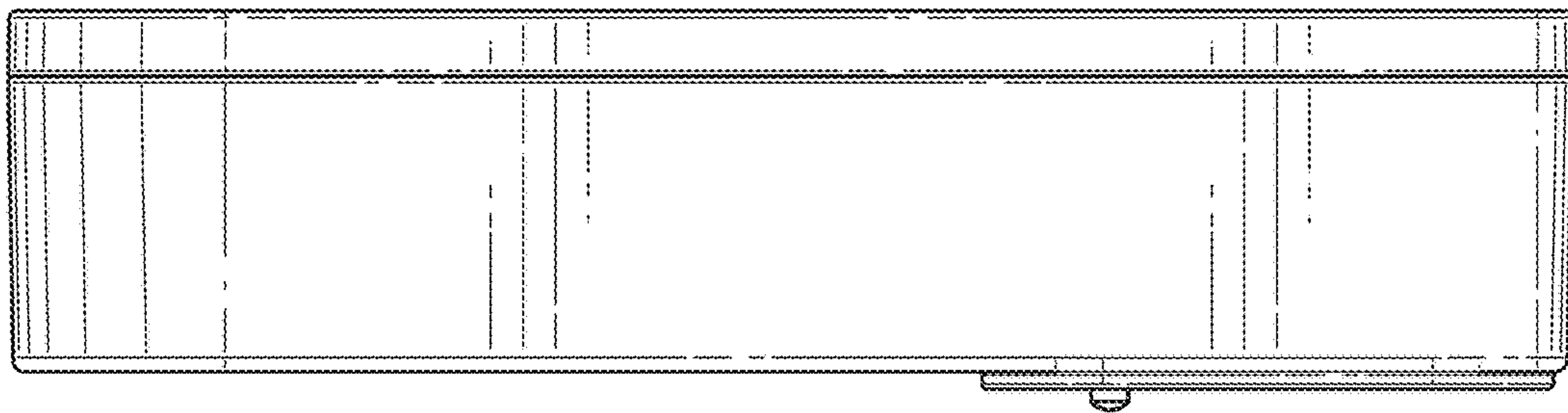


FIG. 5



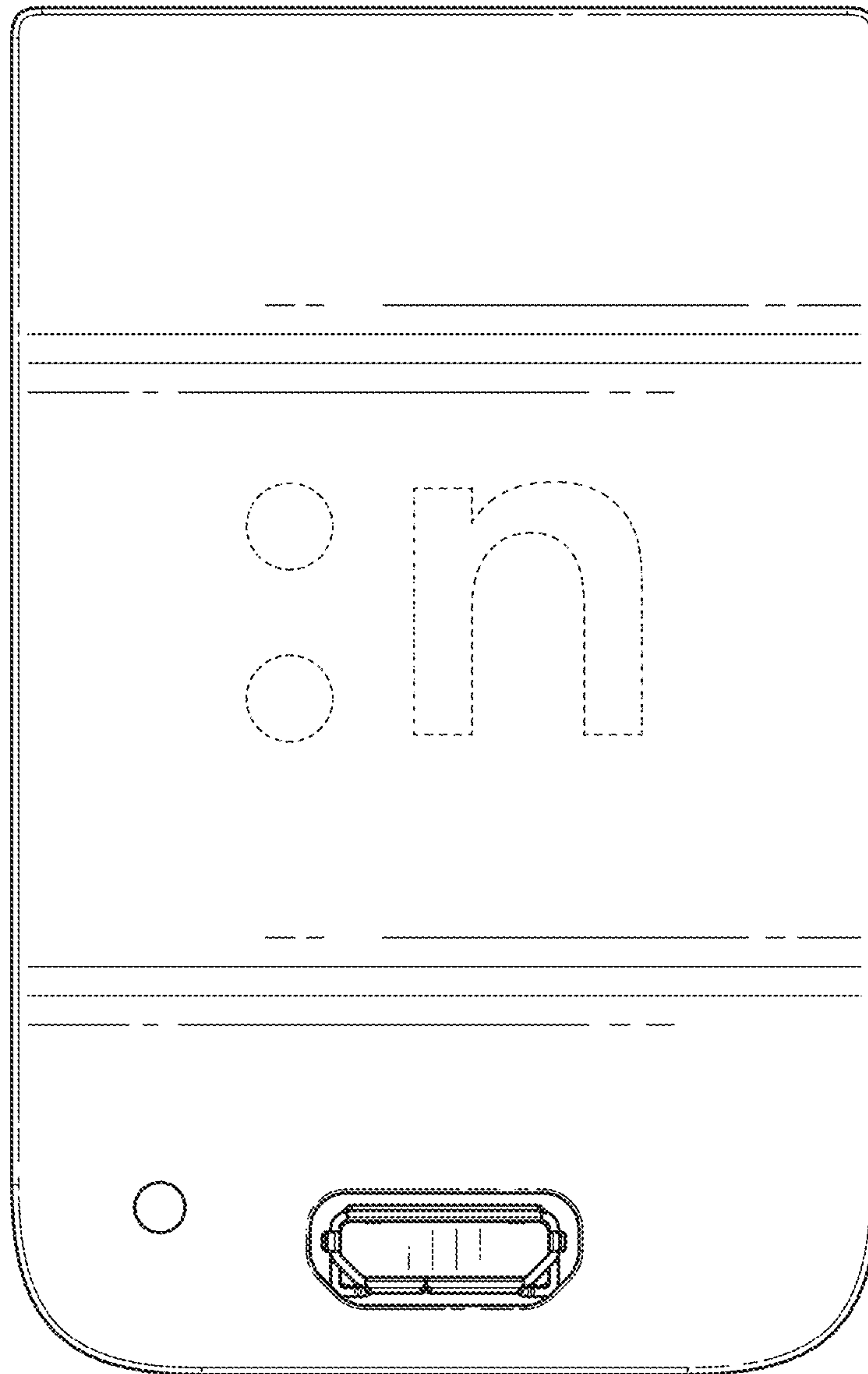


FIG. 6

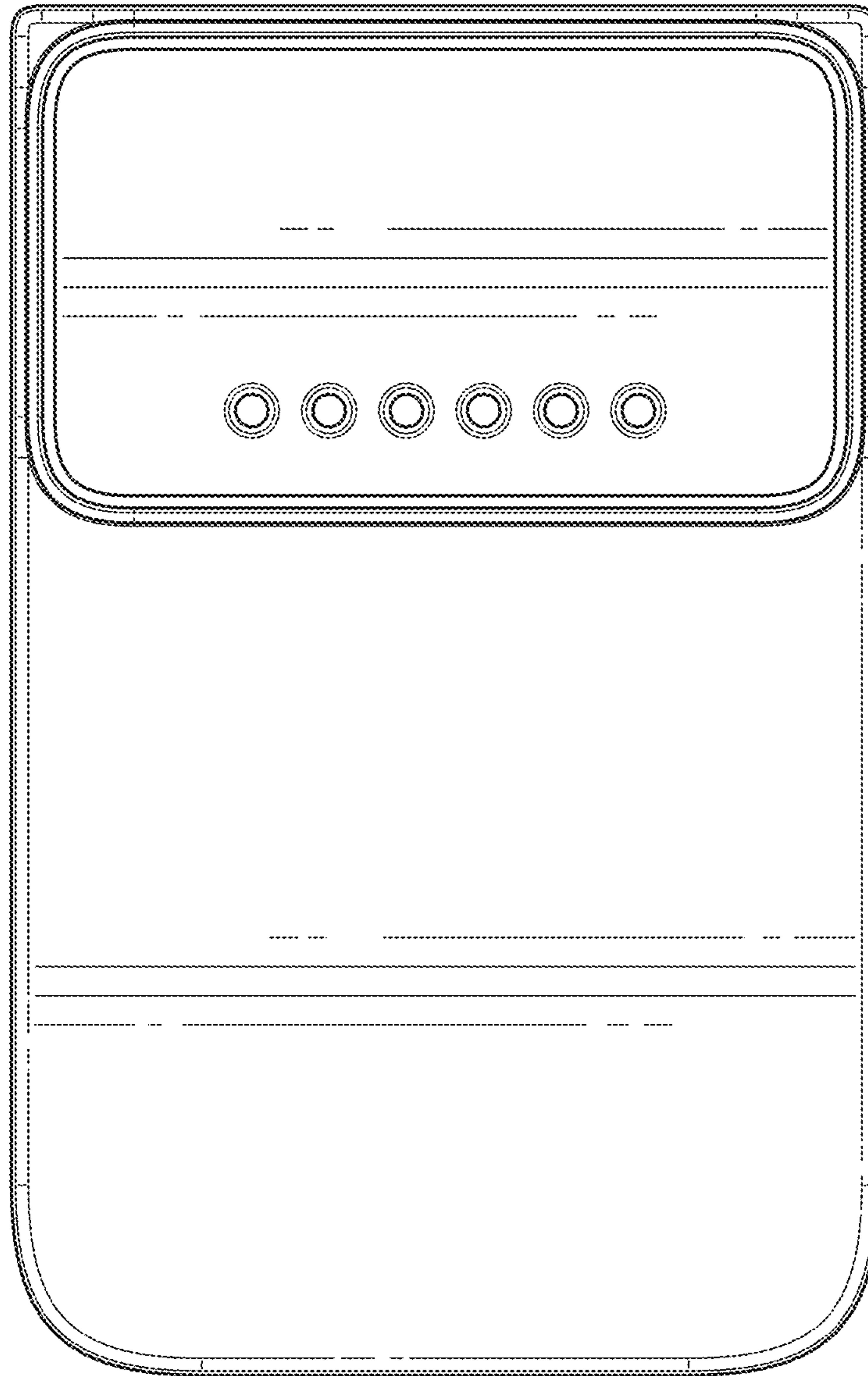


FIG. 7