



US00D813863S

(12) **United States Design Patent** (10) **Patent No.:** **US D813,863 S**  
**Barea** (45) **Date of Patent:** **\*\* Mar. 27, 2018**

(54) **PORTABLE ELECTRONIC DEVICE**

(71) Applicant: **BTSR INTERNATIONAL S.P.A.**,  
Olgiate Olona (Varese) (IT)

(72) Inventor: **Tiziano Barea**, Busto Arsizio (IT)

(73) Assignee: **BTSR INTERNATIONAL S.P.A.**,  
Olgiate Olona (Varese) (IT)

(\*\*) Term: **15 Years**

(21) Appl. No.: **29/563,619**

(22) Filed: **May 6, 2016**

(30) **Foreign Application Priority Data**

Nov. 11, 2015 (EM) ..... 002855304-0001

(51) **LOC (11) Cl.** ..... **14-02**

(52) **U.S. Cl.**  
USPC ..... **D14/341**

(58) **Field of Classification Search**

USPC ..... D14/341-347, 125-134, 137, 138 R,  
D14/138 AA, 138 AB, 138 C, 138 G, 147,  
D14/203.1, 203.3, 203.4, 203.7, 218, 247,  
D14/248, 332, 336, 371, 374-377, 388,  
D14/389, 315-318, 420, 426, 429, 440,  
D14/448, 450, 489, 492, 496;  
D6/300-310; D10/50, 65, 104.1;  
D16/241; D18/6; D20/10, 19, 39;  
D21/329, 330; 455/575.3  
CPC . A63H 33/3016; G06F 1/1613; G06F 1/1641;  
G06F 1/1643; G06F 1/1647; G06F  
3/04883; G06F 3/0486; G06F 3/04847;  
G06F 3/04845; G06F 3/0484; G06F  
3/04817; H05K 5/0004; H05K 5/0017;  
H05K 5/02; H05K 5/0217; H04M 1/0279;

(Continued)

(56) **References Cited**

U.S. PATENT DOCUMENTS

D270,068 S \* 8/1983 Ackeret ..... 40/513  
D277,388 S \* 1/1985 Ackeret ..... D6/300

(Continued)

OTHER PUBLICATIONS

Not an Interlock Fan? Get the Can!, posted unknown, [retrieved  
Dec. 8, 2017]. Retrieved from Internet, <URL: [http://www.  
lowcostinterlock.com/](http://www.lowcostinterlock.com/)>.\*

(Continued)

*Primary Examiner* — Barbara Fox

*Assistant Examiner* — Kristin E Reed

(74) *Attorney, Agent, or Firm* — Vorys, Sater, Seymour  
and Pease LLP

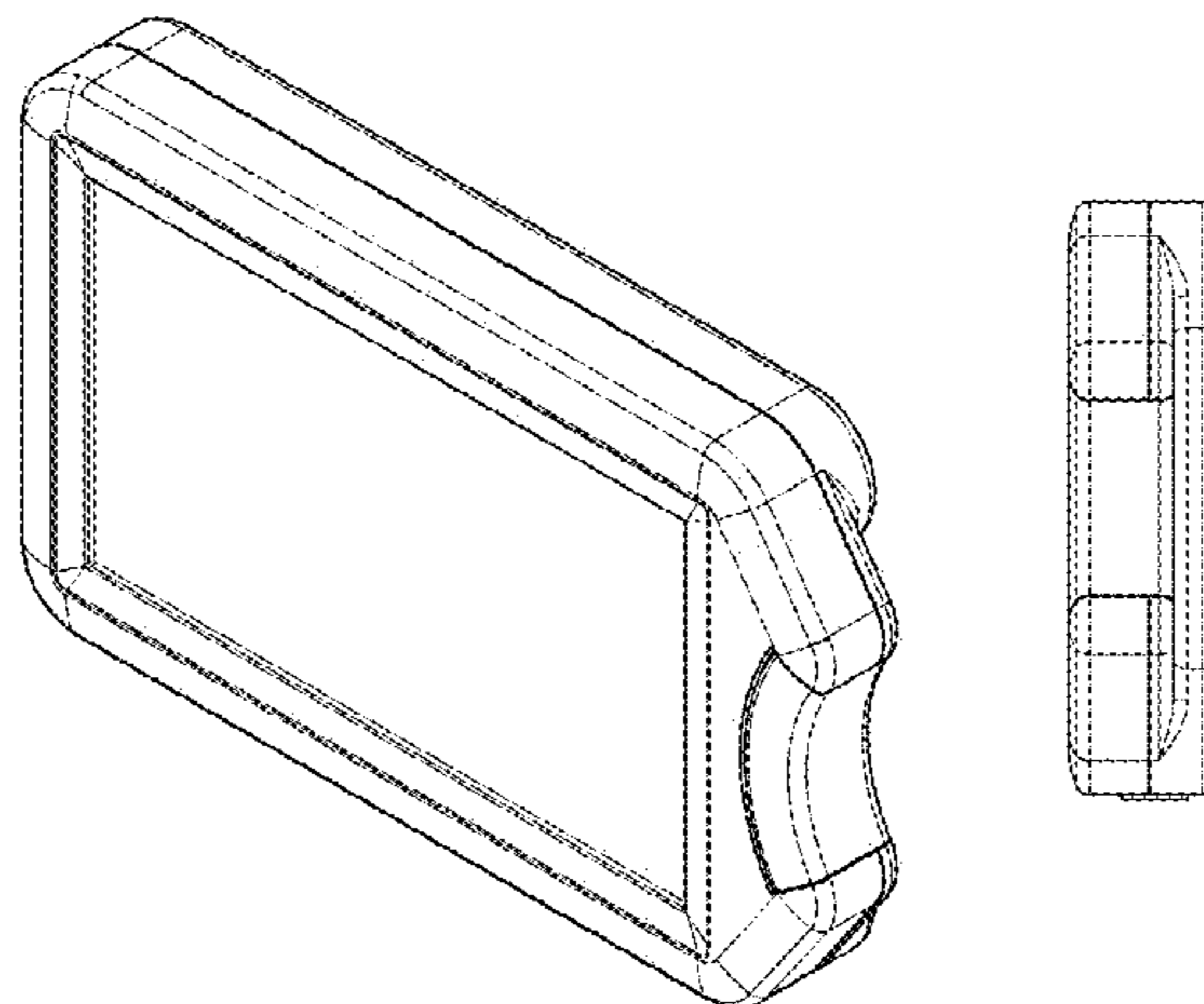
(57) **CLAIM**

The ornamental design for a portable electronic device, as  
shown and described.

**DESCRIPTION**

FIG. 1 is a perspective view of a first embodiment of the  
portable electronic device of the present invention.  
FIG. 2 is a front view of the embodiment of FIG. 1.  
FIG. 3 is a bottom view of the embodiment of FIG. 1.  
FIG. 4 is a rear view of the embodiment of FIG. 1.  
FIG. 5 is a right view of the embodiment of FIG. 1.  
FIG. 6 is a left view of the embodiment of FIG. 1.  
FIG. 7 is a top view of the embodiment of FIG. 1.  
FIG. 8 is a perspective view of a second embodiment of the  
portable electronic device of the present invention.  
FIG. 9 is a front view of the embodiment of FIG. 8.  
FIG. 10 is a bottom view of the embodiment of FIG. 8.  
FIG. 11 is a rear view of the embodiment of FIG. 8.  
FIG. 12 is a right view of the embodiment of FIG. 8.  
FIG. 13 is a left view of the embodiment of FIG. 8; and,  
FIG. 14 is a top view of the embodiment of FIG. 8.

(Continued)



The design is the overall configuration, shape, ornamentation and pattern of the portable electronic device as shown in the drawings in which.

**1 Claim, 6 Drawing Sheets**

**(58) Field of Classification Search**

CPC ..... H04M 1/0281; H04M 1/0283; H04N  
 13/0459; G09B 21/02; G09B 21/025;  
 G09B 21/04; G09B 21/00; G09B 21/001;  
 G09B 21/002; G09B 21/003; G09B  
 21/004; G09B 21/005

See application file for complete search history.

D428,019	S	*	7/2000	Amron	.....	D14/203.7
D493,794	S	*	8/2004	Berentzen	.....	D14/420
D508,495	S	*	8/2005	Bone	.....	D14/203.7
D509,151	S	*	9/2005	Takach	.....	D10/50
D563,804	S	*	3/2008	Kimura	.....	D10/65
D565,978	S	*	4/2008	Stevens	.....	D10/65
D568,773	S	*	5/2008	Hori	.....	D10/65
D622,710	S	*	8/2010	Goransson	.....	D14/218
D640,149	S	*	6/2011	Lenz	.....	D10/65
D659,113	S	*	5/2012	Rayn	.....	D14/203.3
D680,755	S	*	4/2013	Gilboe	.....	D6/309
D693,709	S	*	11/2013	Lee	.....	D10/65
D698,679	S	*	2/2014	Lindley	.....	D10/106.9
D703,664	S	*	4/2014	Spiro	.....	D14/341
D715,292	S	*	10/2014	Ahn	.....	D14/341
D717,793	S	*	11/2014	Barton	.....	D14/341
D720,346	S	*	12/2014	Davis	.....	D14/341
D744,482	S	*	12/2015	Davis	.....	D14/341

**(56)**

**References Cited**

U.S. PATENT DOCUMENTS

D300,642	S	*	4/1989	Pawlik	.....	D20/10
D329,333	S	*	9/1992	Ackeret	.....	D6/300
5,233,773	A	*	8/1993	Reynolds	.....	G09F 3/18 248/289.31
D407,388	S	*	3/1999	Liao	.....	D14/126

OTHER PUBLICATIONS

Blow & Drive Interlock Certified by TX Probation Comm Supervision, posted Feb. 14, 2016, [retrieved Dec. 8, 2017]. Retrieved from Internet, <URL: <https://americansecuritytoday.com/blow-drive-interlock-certified-tx-probation-comm-supervision/>>.\*

\* cited by examiner

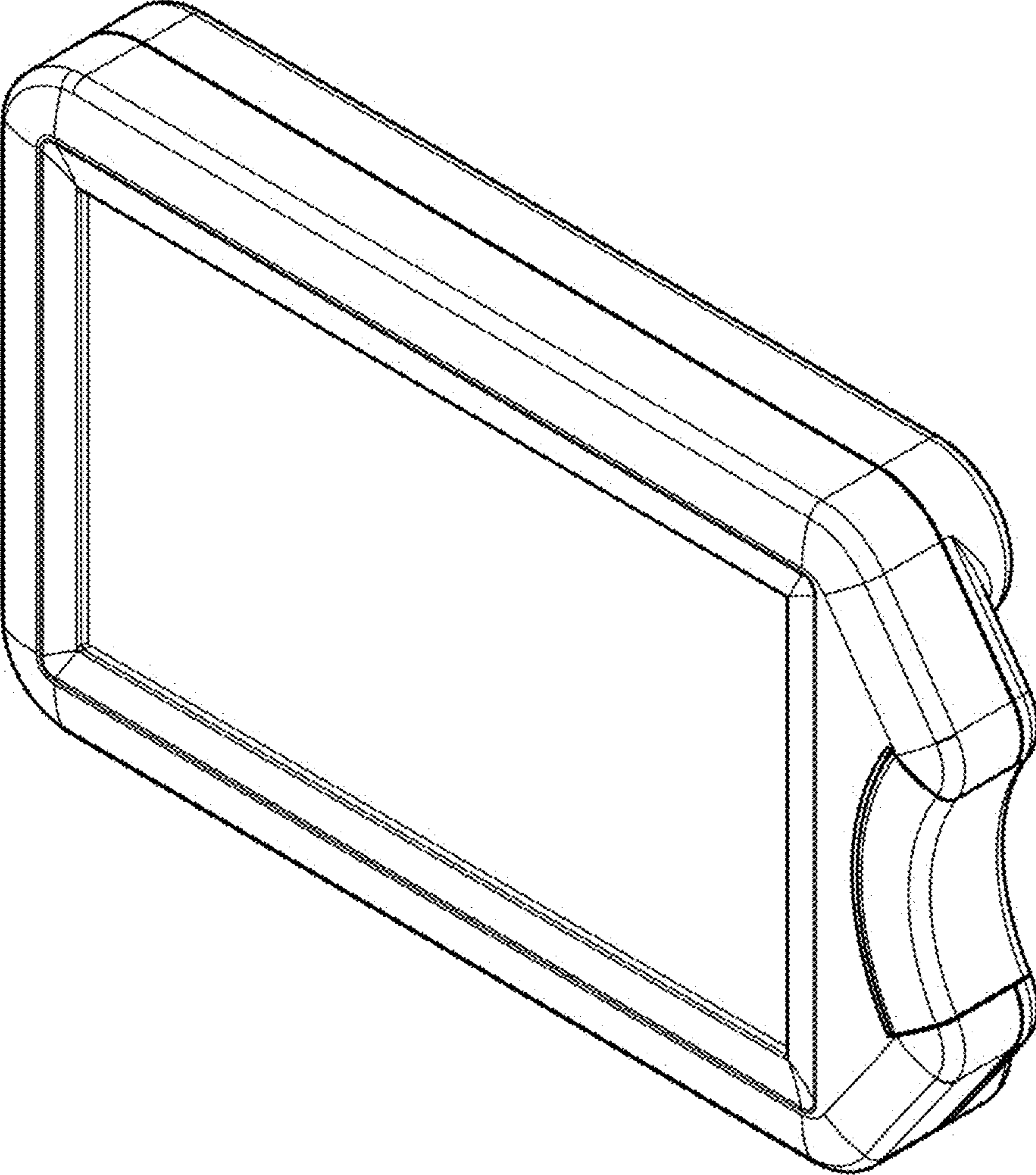


FIG. 1

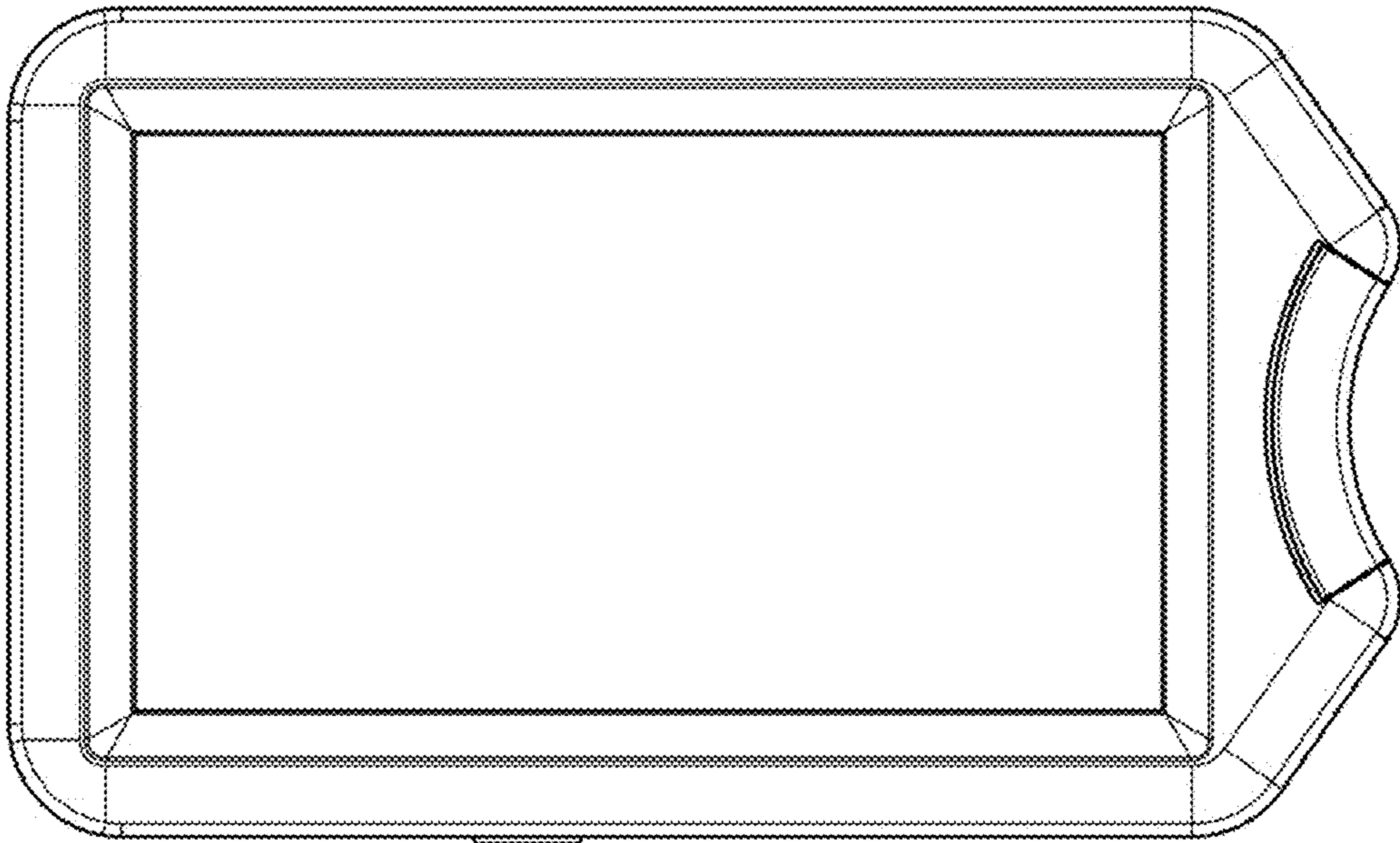


FIG. 2

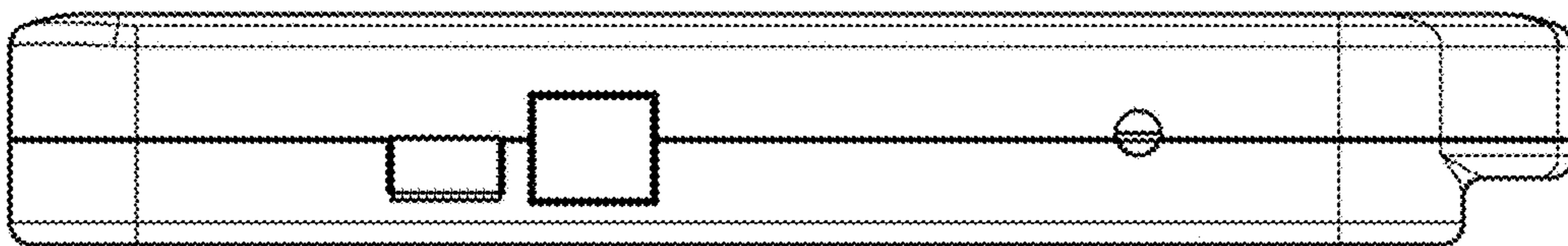


FIG. 3

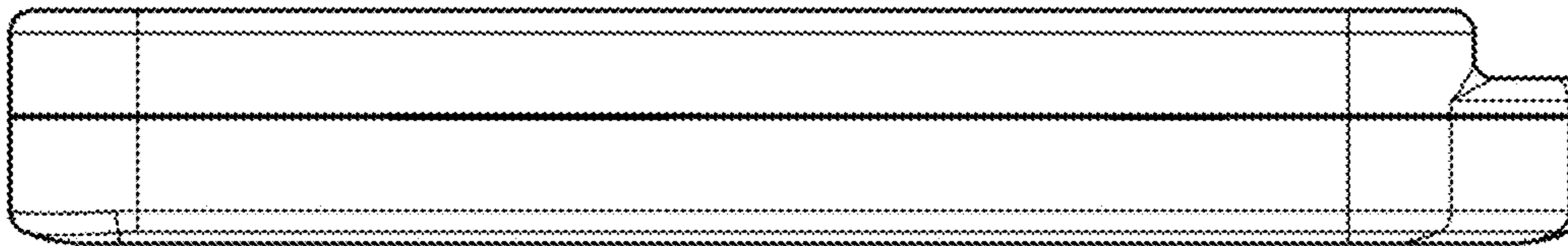


FIG. 7

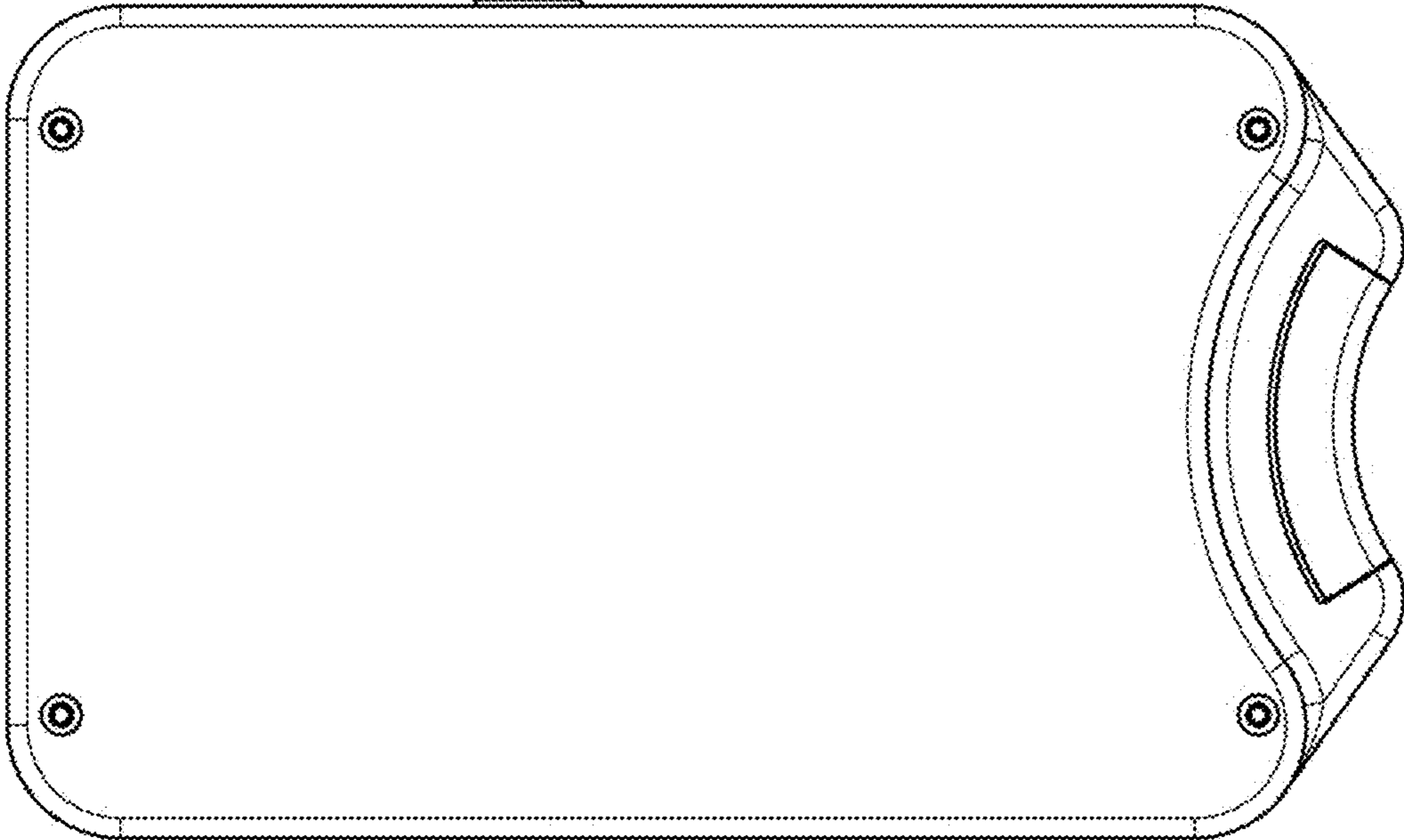


FIG. 4

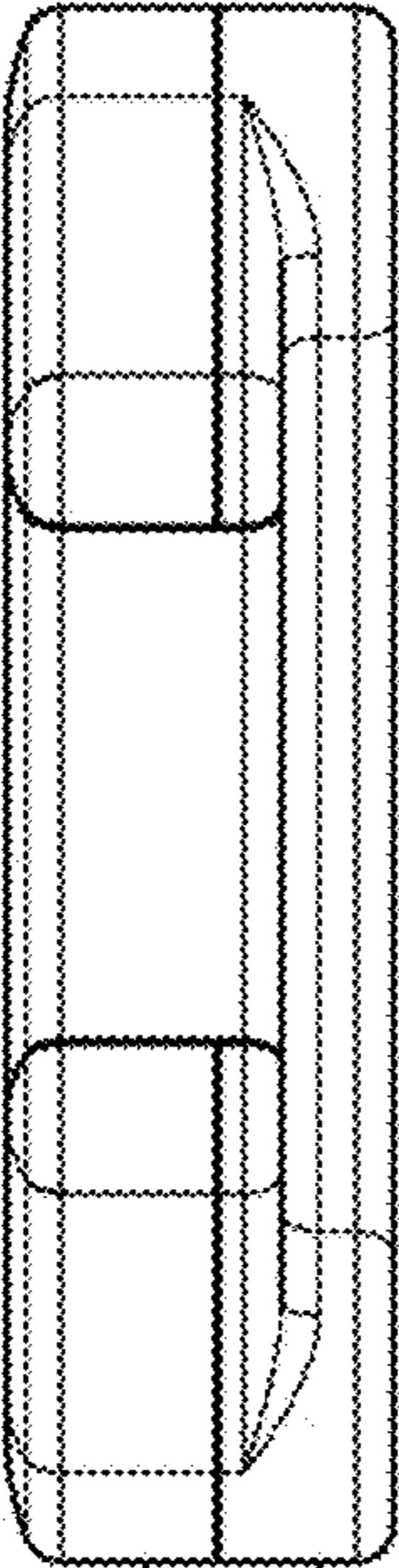


FIG. 5

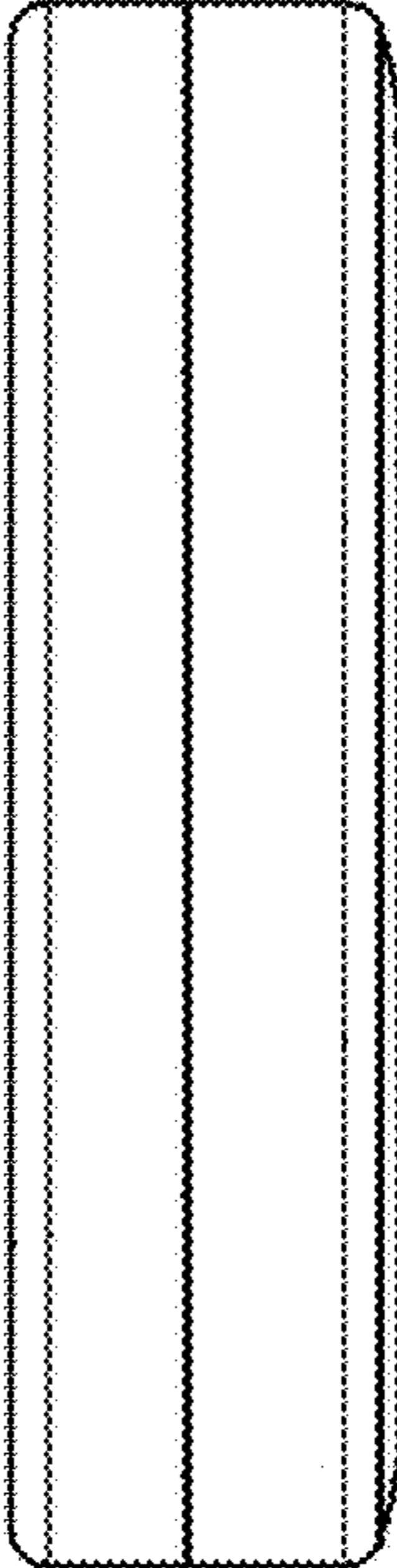


FIG. 6

FIG. 8

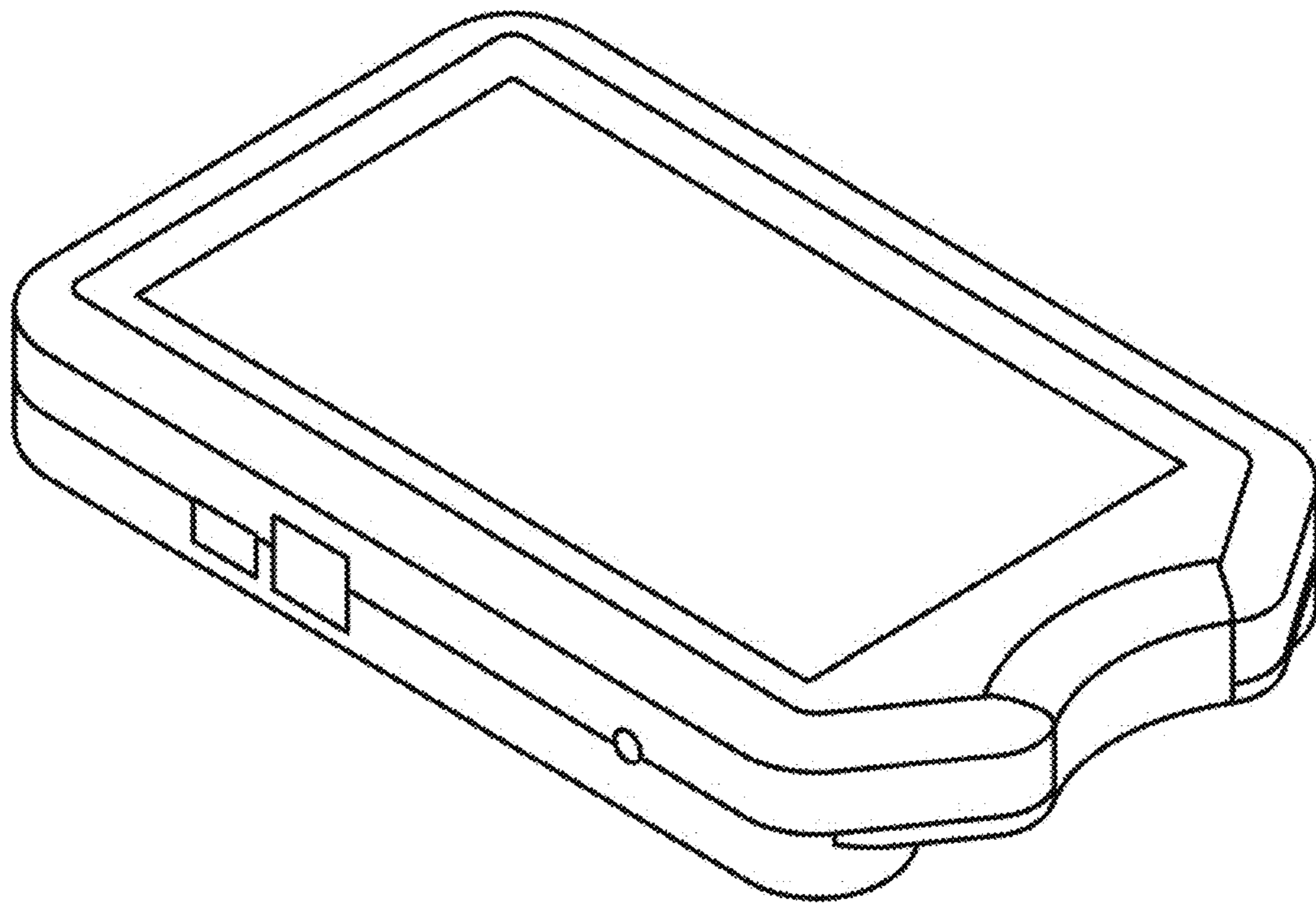


FIG. 9

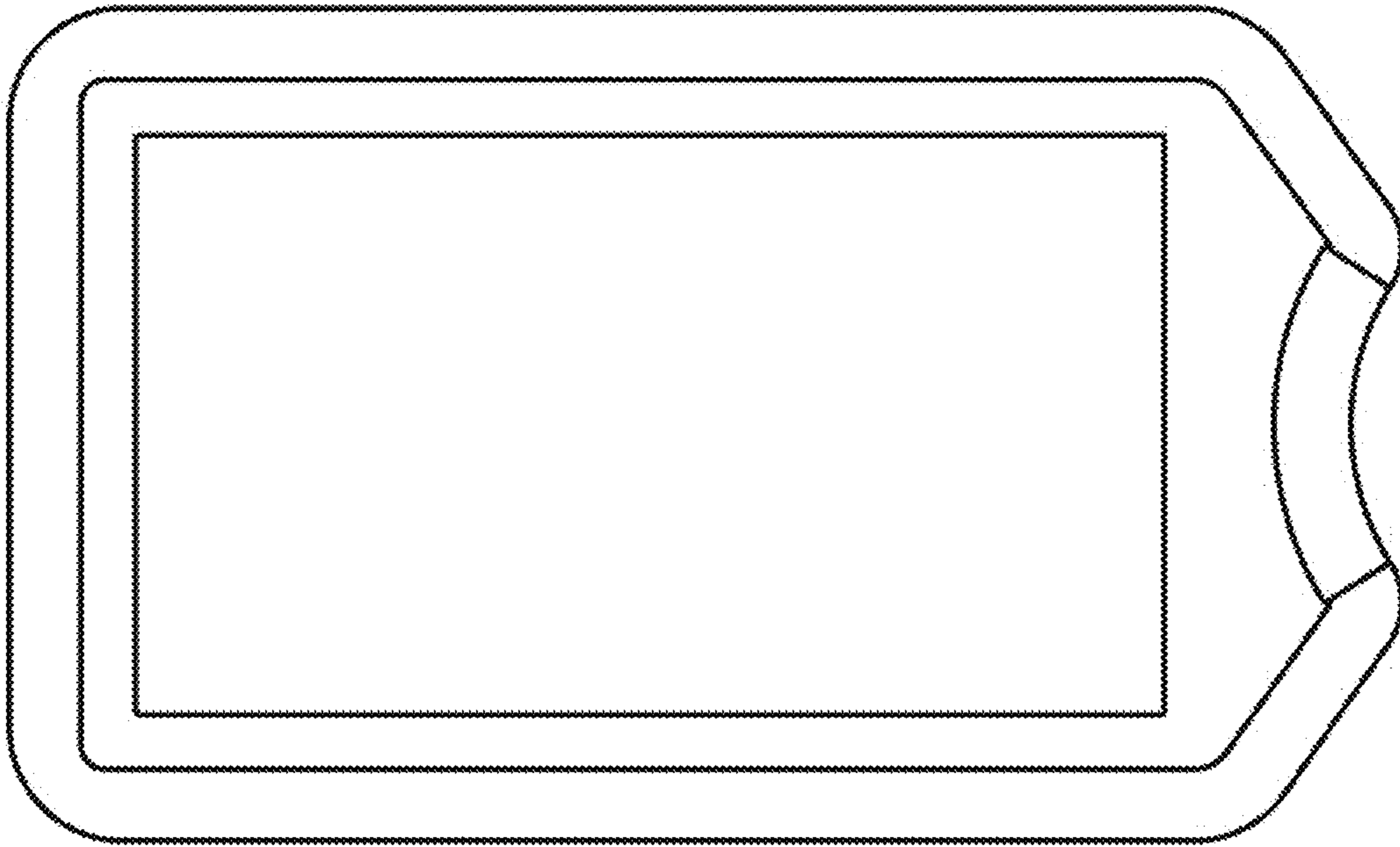


FIG. 10

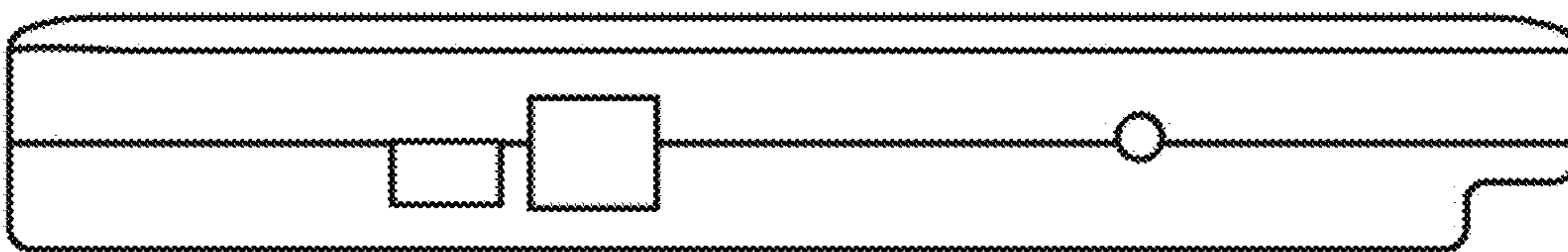


FIG. 14



FIG. 11

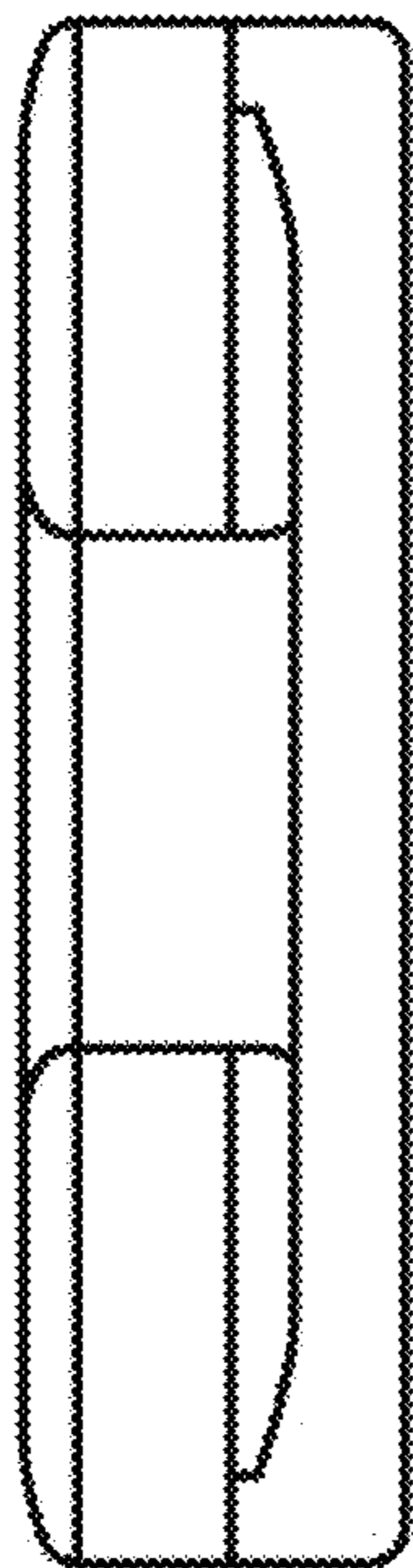
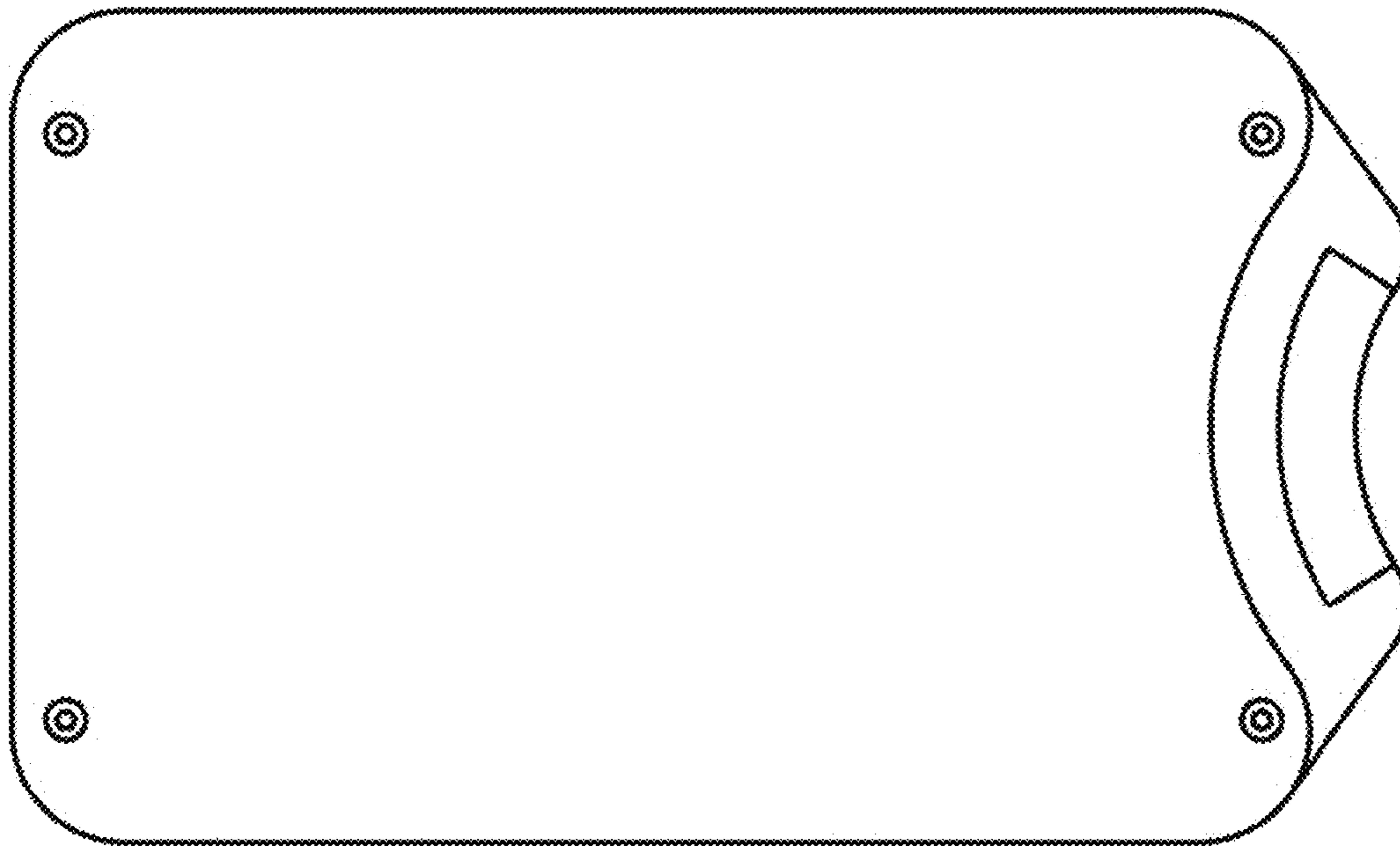


FIG. 12

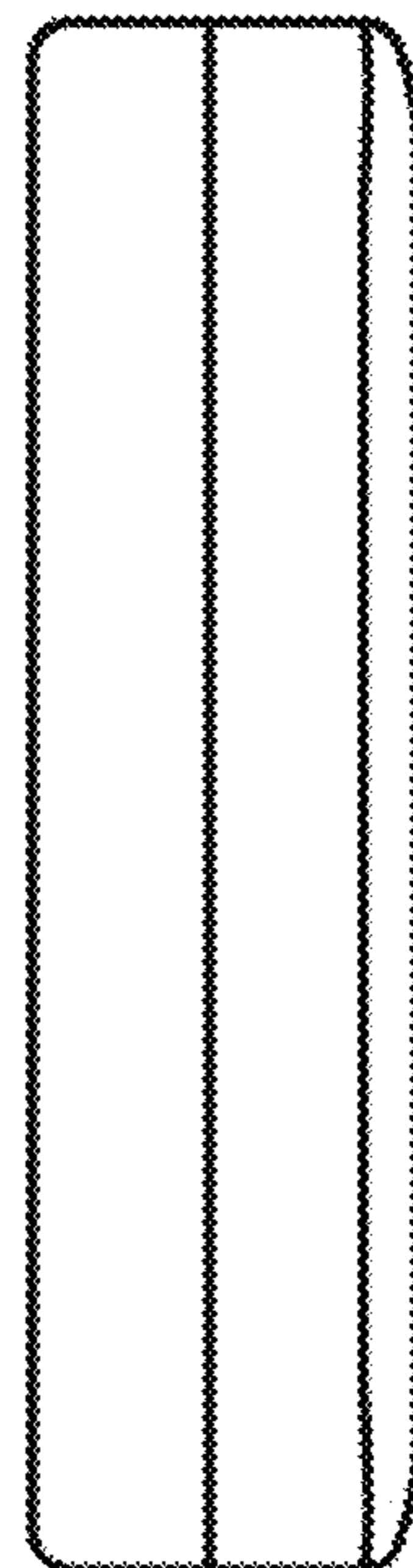


FIG. 13