



US00D813862S

(12) **United States Design Patent** (10) **Patent No.:** **US D813,862 S**
Diasabeygunawardena et al. (45) **Date of Patent:** **** Mar. 27, 2018**

(54) **WORKSTATION WITH INJECTOR ICON**

(71) Applicant: **BAYER HEALTHCARE LLC**,
Whippany, NJ (US)

(72) Inventors: **Kent Diasabeygunawardena**,
Pittsburgh, PA (US); **Emma**
Diasabeygunawardena, Pittsburgh, PA
(US)

(73) Assignee: **Bayer HealthCare LLC**, Whippany, NJ
(US)

(**) Term: **15 Years**

(21) Appl. No.: **29/593,769**

(22) Filed: **Feb. 13, 2017**

(51) **LOC (11) Cl.** **14-02**

(52) **U.S. Cl.**
USPC **D14/336**; D14/489

(58) **Field of Classification Search**
USPC D14/315-327, 125-129, 485-495;
D13/184, 199; 361/679.08, 679.09,
361/679.11, 679.26, 679.27

CPC G06F 1/16; G06F 1/1616; G06F 1/1626;
G06F 1/1632; G06F 1/1613; G06F
1/1601; G06F 1/1618; G06F 1/162; G06F
1/166; G06F 1/1654; G06F 1/1681; G06F
1/1637; G06F 1/1688; G06F 1/1656;
G06F 3/048; G06F 3/0481; G06F 3/0482;
G06F 3/04817; G06F 3/04812; G06F
19/34; G06F 19/3406; G06F 19/3418;
H01R 35/02; H03M 11/00; G09B 13/04;
H03K 17/94; G09G 5/00; F16M 11/10;
H05K 5/00; H04M 1/0237; G06T 11/001

See application file for complete search history.

(56) **References Cited**

U.S. PATENT DOCUMENTS

D437,594 S * 2/2001 Goldberg D14/349
D478,586 S * 8/2003 Lee D14/349

D518,044 S * 3/2006 Lee D14/368
D647,522 S * 10/2011 Paul D14/349
D684,185 S * 6/2013 Van Dongen D14/489
D727,962 S * 4/2015 Moon D14/492
D746,332 S * 12/2015 Boot D14/489
D776,156 S * 1/2017 Oh D14/492

OTHER PUBLICATIONS

Medrad, Inc. (2013). *Stellant with Certegra Workstation: Installation Manual*. Indianola, PA: Medrad, Inc.
Bayer. (2015). *Medrad Stellant with Certegra Workstation: Service Manual*. Indianola, PA: Bayer (see p. 5-65).
Bayer. (2016). *Medrad Stellant CT Injection System: Brochure*. Indianola, PA: Bayer.

* cited by examiner

Primary Examiner — Freda S Nunn

(74) *Attorney, Agent, or Firm* — Lowenstein Sandler LLP

(57) **CLAIM**

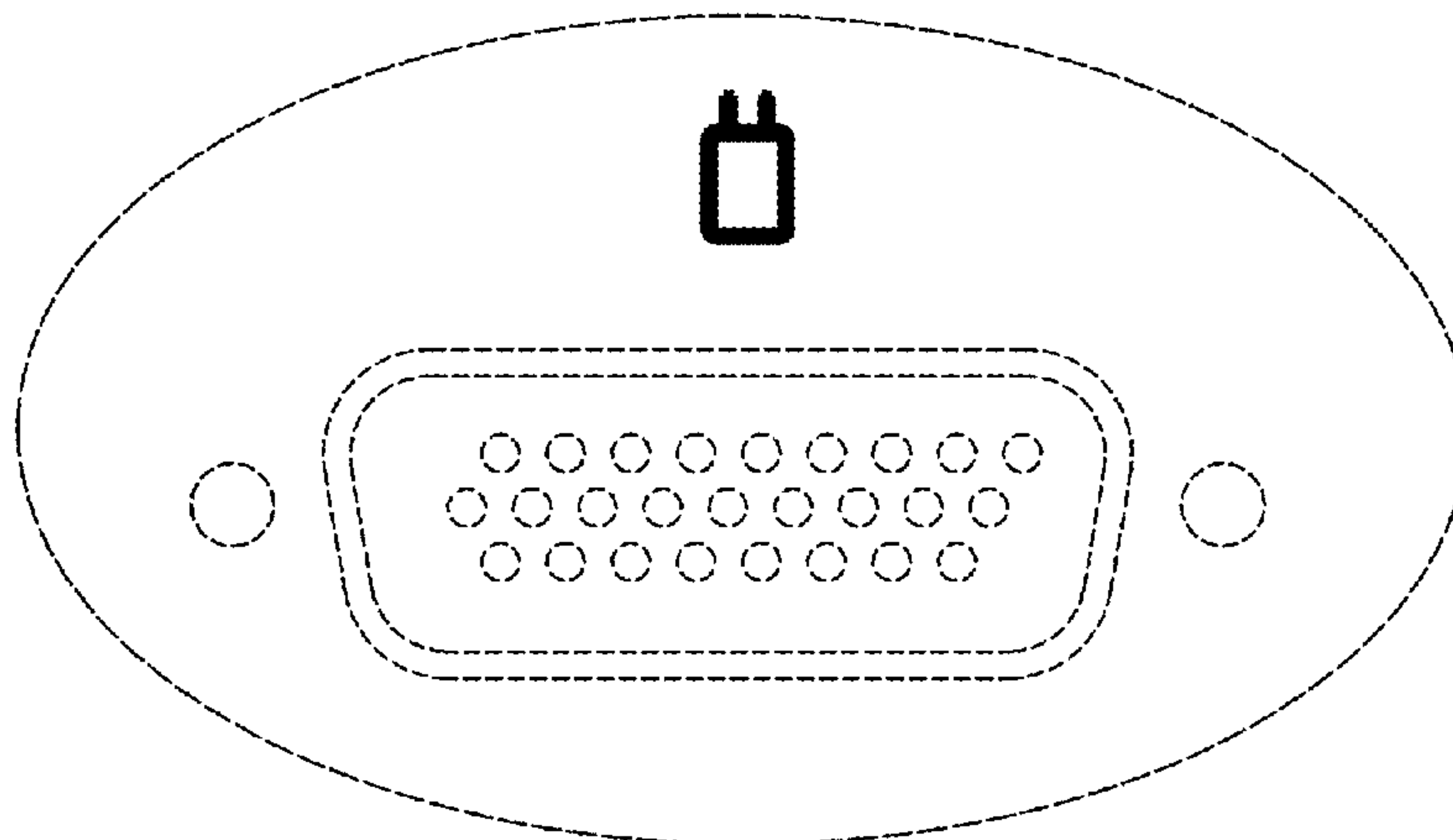
The ornamental design for a workstation with injector icon, as shown and described.

DESCRIPTION

FIG. 1 is a perspective view of the workstation with injector icon;
FIG. 2 is a front view thereof;
FIG. 3 is a left side view thereof;
FIG. 4 is a right side view thereof;
FIG. 5 is a top view thereof;
FIG. 6 is a rear view thereof;
FIG. 7 is an enlarged fragmented rear view thereof showing in greater detail the injector icon second from the right; and, FIG. 8 is an enlarged view thereof showing the injector icon above the injector port.

The broken lines shown in FIGS. 1-8 depict unclaimed portions of the workstation with injector icon and form no part of the claimed design.

1 Claim, 8 Drawing Sheets



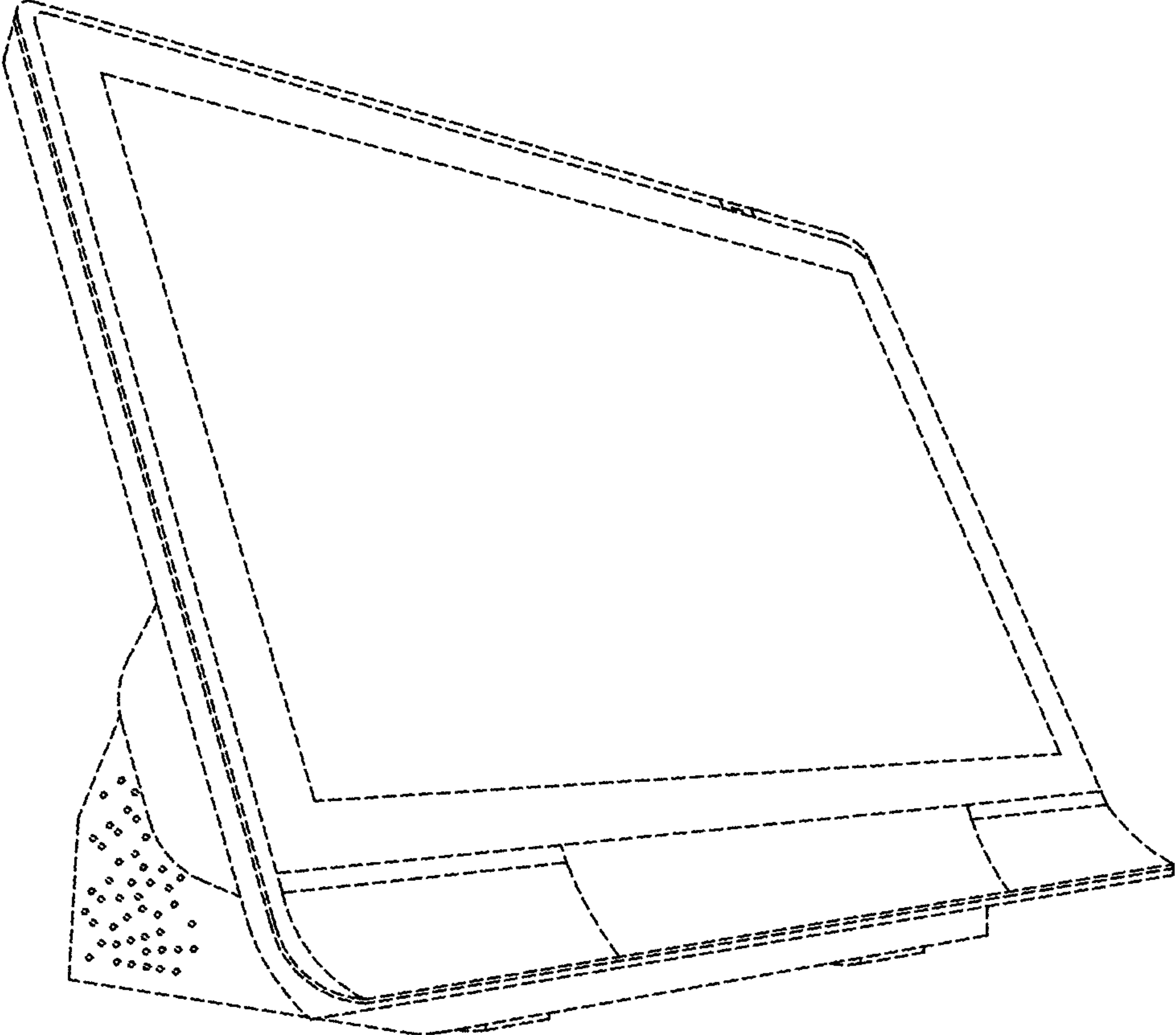


FIG. 1

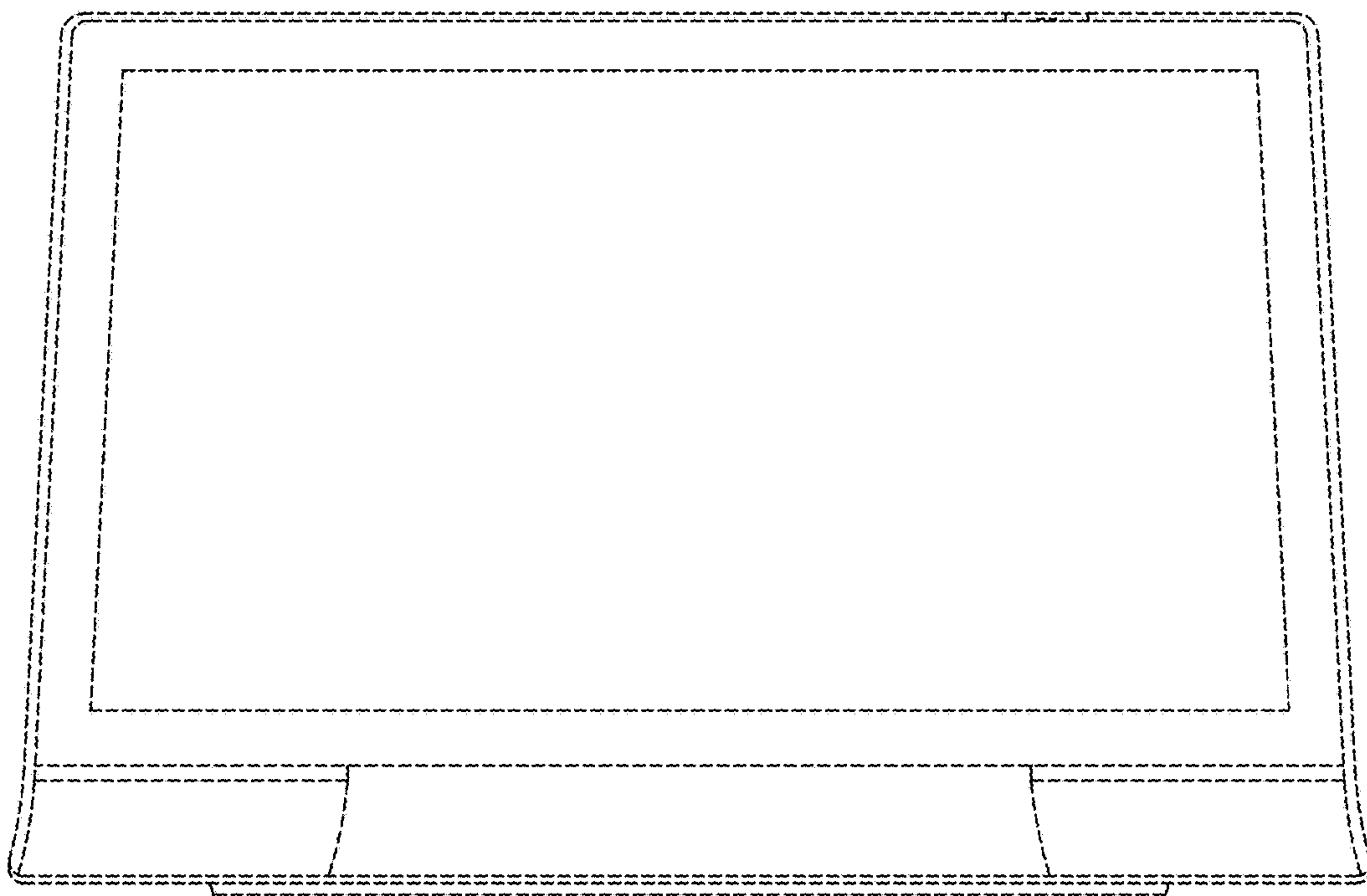


FIG. 2

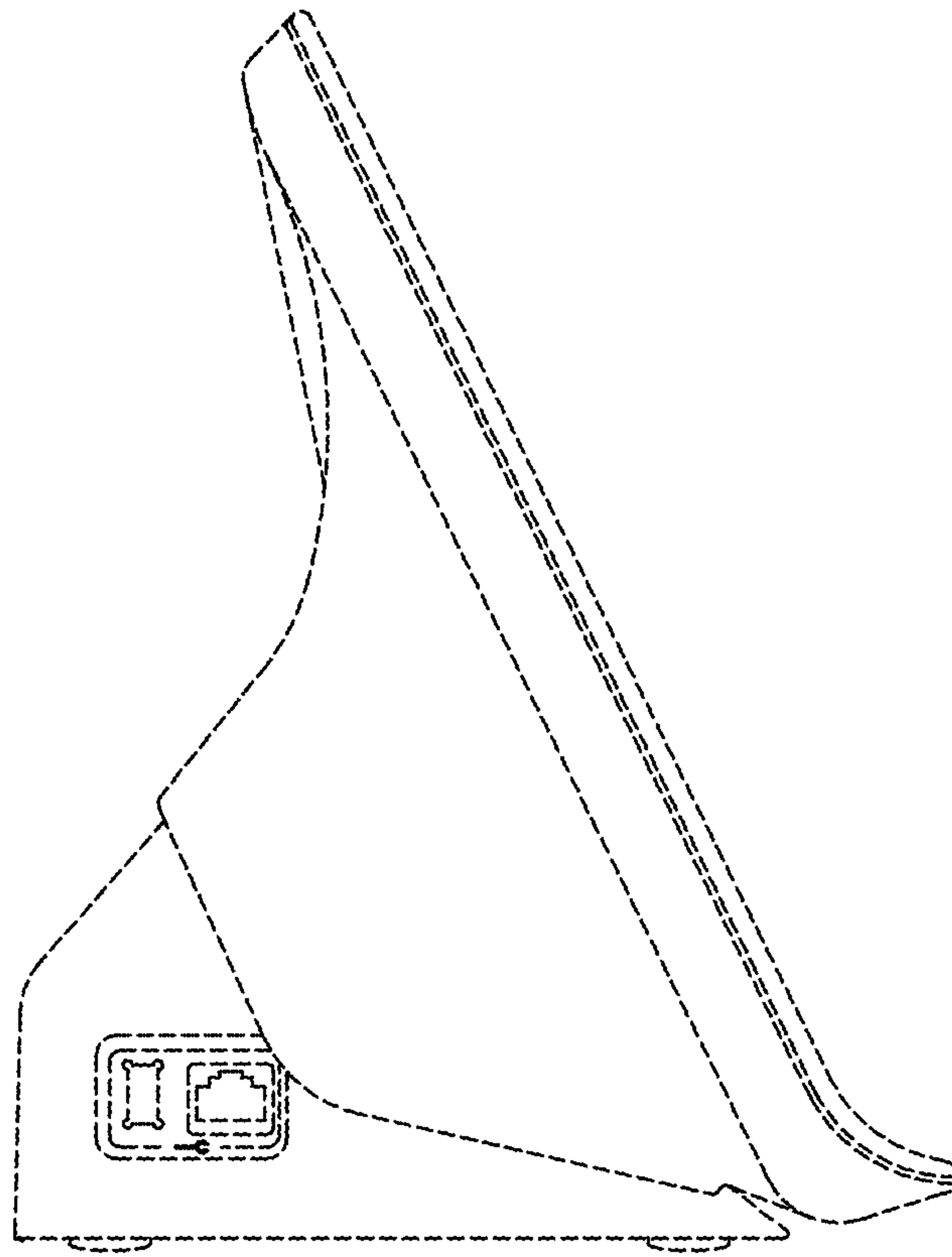


FIG. 3

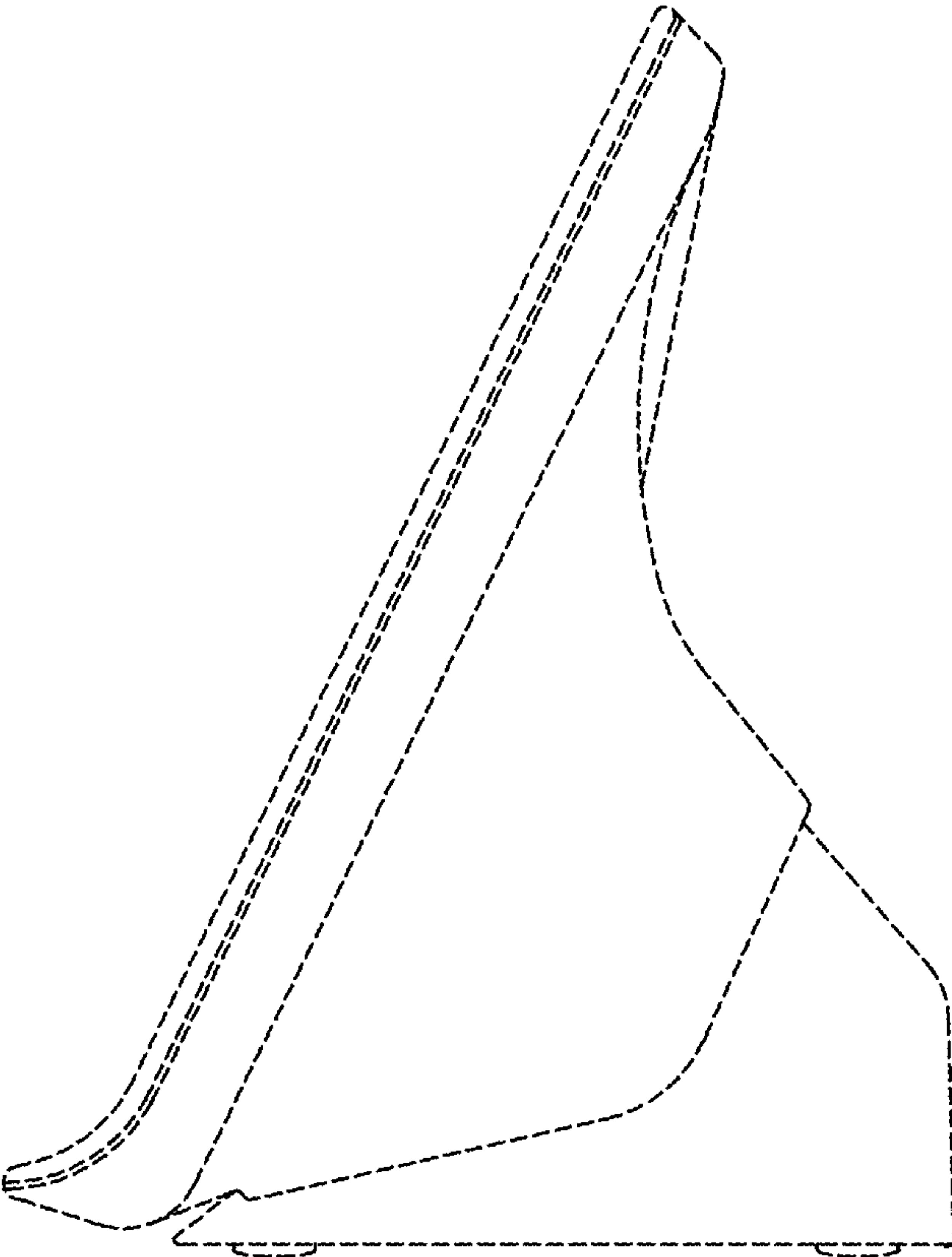


FIG. 4

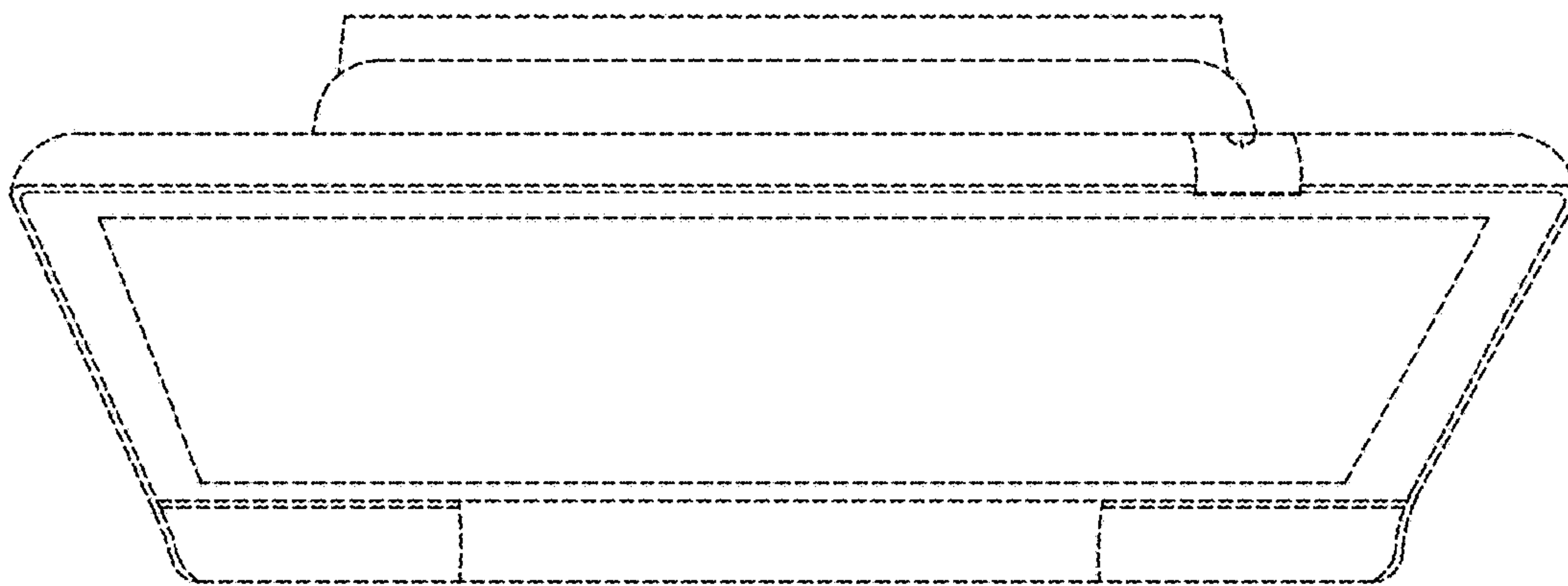


FIG. 5

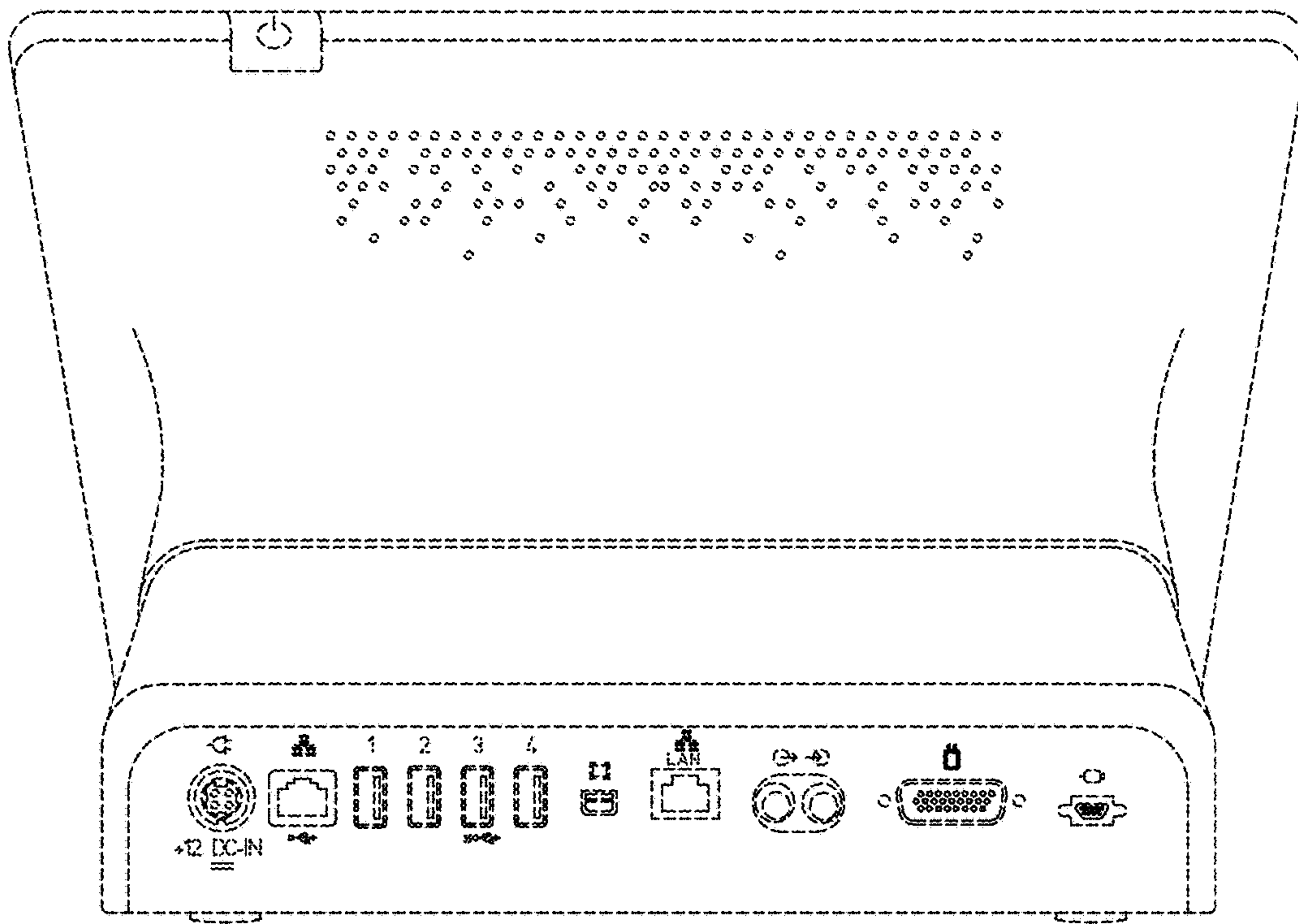


FIG. 6

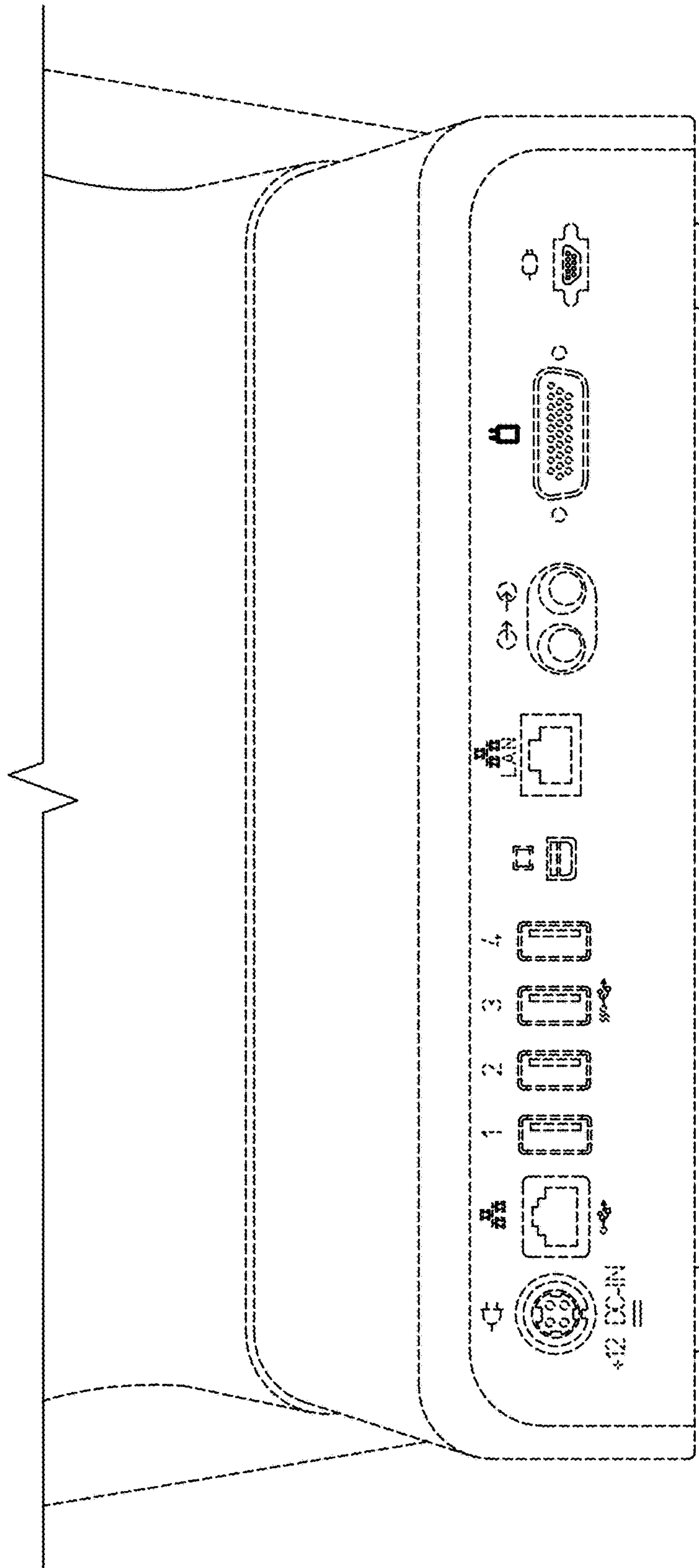


FIG. 7

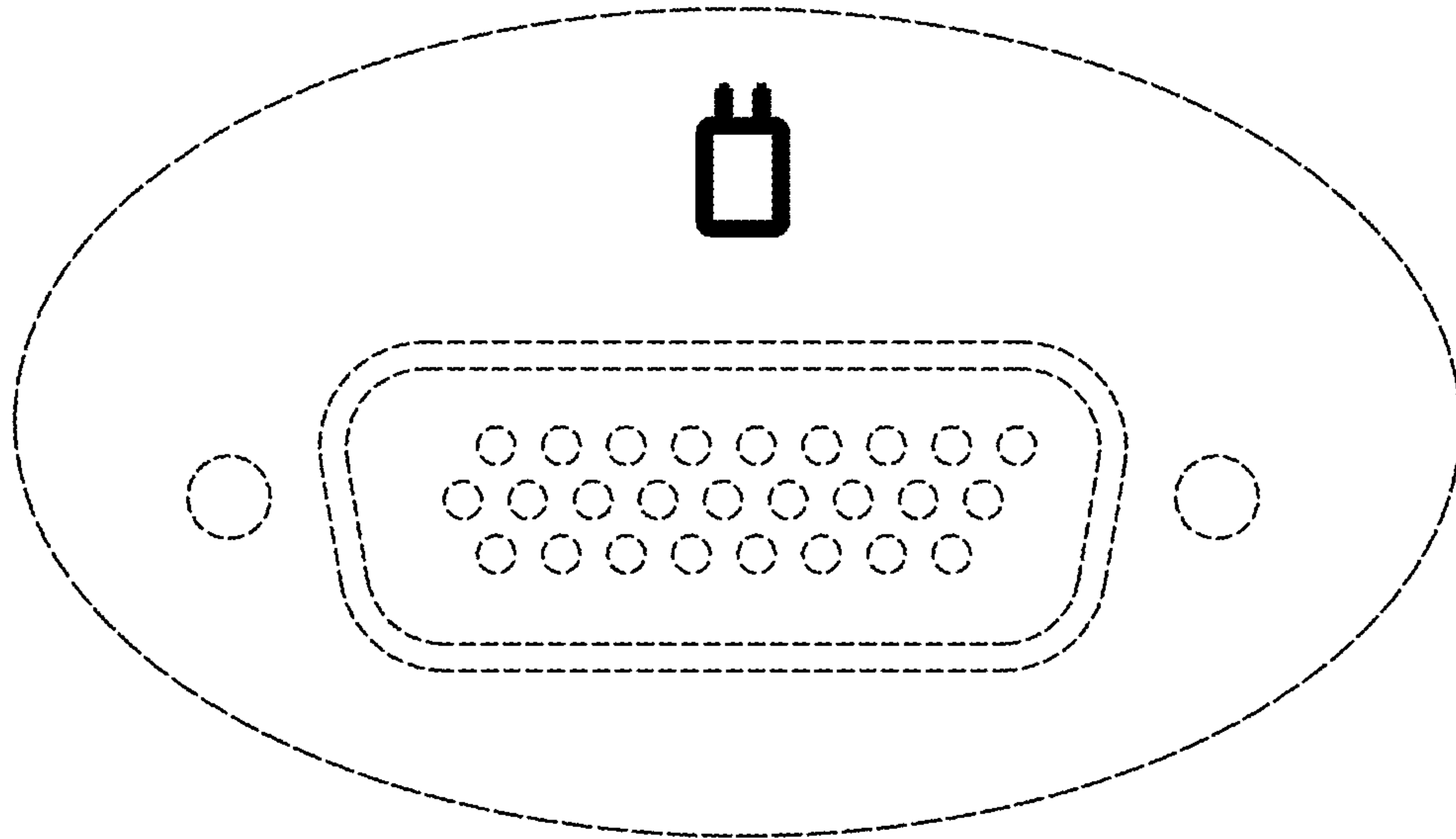


FIG. 8