



US00D813860S

(12) **United States Design Patent**  
**Doczy et al.**

(10) **Patent No.:** **US D813,860 S**  
(45) **Date of Patent:** **\*\* Mar. 27, 2018**

(54) **INFORMATION HANDLING SYSTEM**

(71) Applicant: **Dell Products L.P.**, Round Rock, TX (US)

(72) Inventors: **Paul J. Doczy**, Austin, TX (US);  
**Sheng-Kuo Chang**, Taipei (TW)

(73) Assignee: **Dell Products L.P.**, Round Rock, TX (US)

(\*\*) Term: **15 Years**

(21) Appl. No.: **29/589,572**

(22) Filed: **Jan. 3, 2017**

(51) **LOC (11) Cl.** ..... **14-02**

(52) **U.S. Cl.**  
USPC ..... **D14/315**

(58) **Field of Classification Search**  
USPC ..... D14/315-327; D18/1, 2, 7, 11;  
235/145 A, 145 R; 341/22, 23; 345/104,  
345/156, 168, 169, 173; 361/679.08,  
361/679.09, 679.11, 679.26, 679.27  
CPC ..... G06F 1/16; G06F 1/1616; G06F 1/1626;  
G06F 1/1632; G06F 1/1613; G06F  
1/1601; G06F 1/1618; G06F 1/162; G06F  
1/166; G06F 1/1654; G06F 1/1681; G06F  
1/1637; G06F 1/1688; G06F 1/1656;  
H01R 35/02; H03M 11/00; G09B 13/04;  
H03K 17/94; G09G 5/00; F16M 11/10;  
H05K 5/00; H04M 1/0237  
See application file for complete search history.

(56) **References Cited**

**U.S. PATENT DOCUMENTS**

D463,797 S \* 10/2002 Andre ..... D14/327  
D476,326 S \* 6/2003 Tanimura ..... D14/318

6,670,950 B1 \* 12/2003 Chin ..... G06F 1/162  
345/1.1  
D517,063 S \* 3/2006 Nakajima ..... D14/318  
D615,969 S \* 5/2010 Arbisi ..... D14/315  
D673,558 S \* 1/2013 Cruz ..... D14/315  
2005/0018396 A1 \* 1/2005 Nakajima ..... G06F 1/1616  
361/679.08

\* cited by examiner

*Primary Examiner* — Freda S Nunn

(74) *Attorney, Agent, or Firm* — Terrile, Cannatti,  
Chambers & Holland, LLP; Stephen A. Terrile

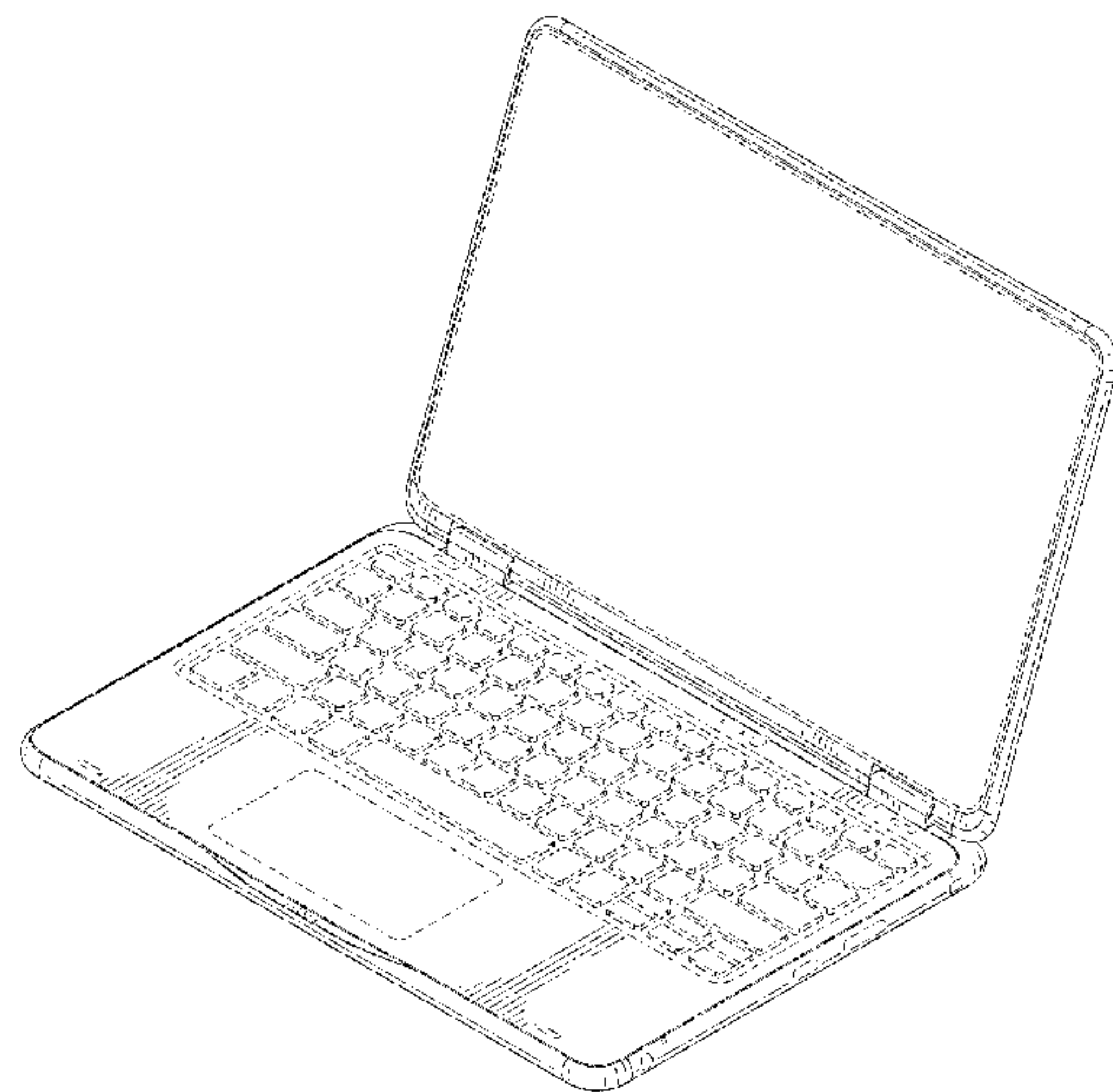
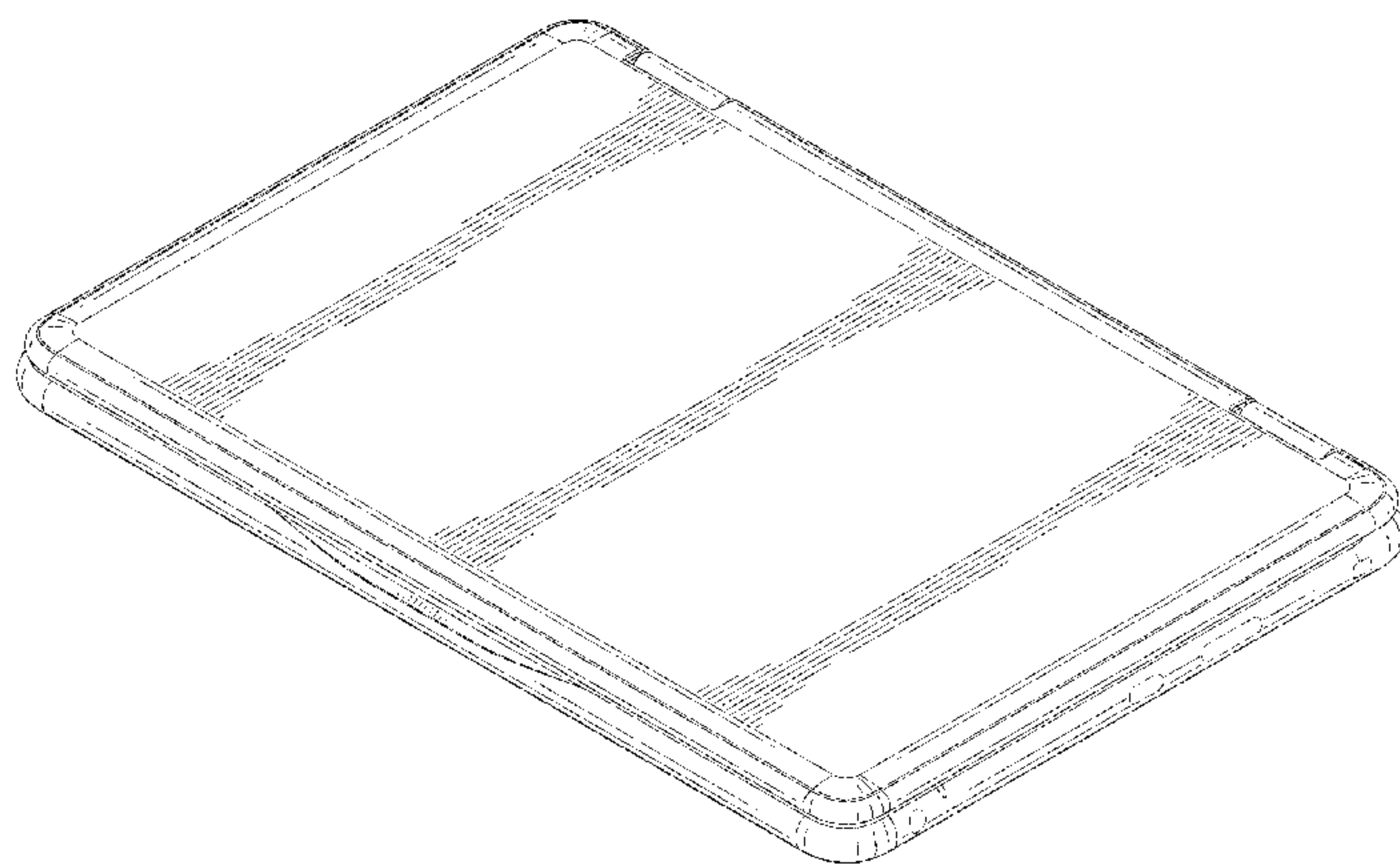
(57) **CLAIM**

We claim the ornamental design for an information handling system, as shown and described.

**DESCRIPTION**

FIG. 1 is a front perspective view of the information handling system in a closed position comprising the present invention;  
FIG. 2 is a front elevation view thereof;  
FIG. 3 is a rear elevation view thereof;  
FIG. 4 is a right side view thereof;  
FIG. 5 is a left side view thereof;  
FIG. 6 is a top view thereof;  
FIG. 7 is a bottom view thereof; and,  
FIG. 8 is an open perspective view thereof.  
Broken lines shown in the drawings illustrate portions of the information handling system, and form no part of the claimed design.

**1 Claim, 5 Drawing Sheets**



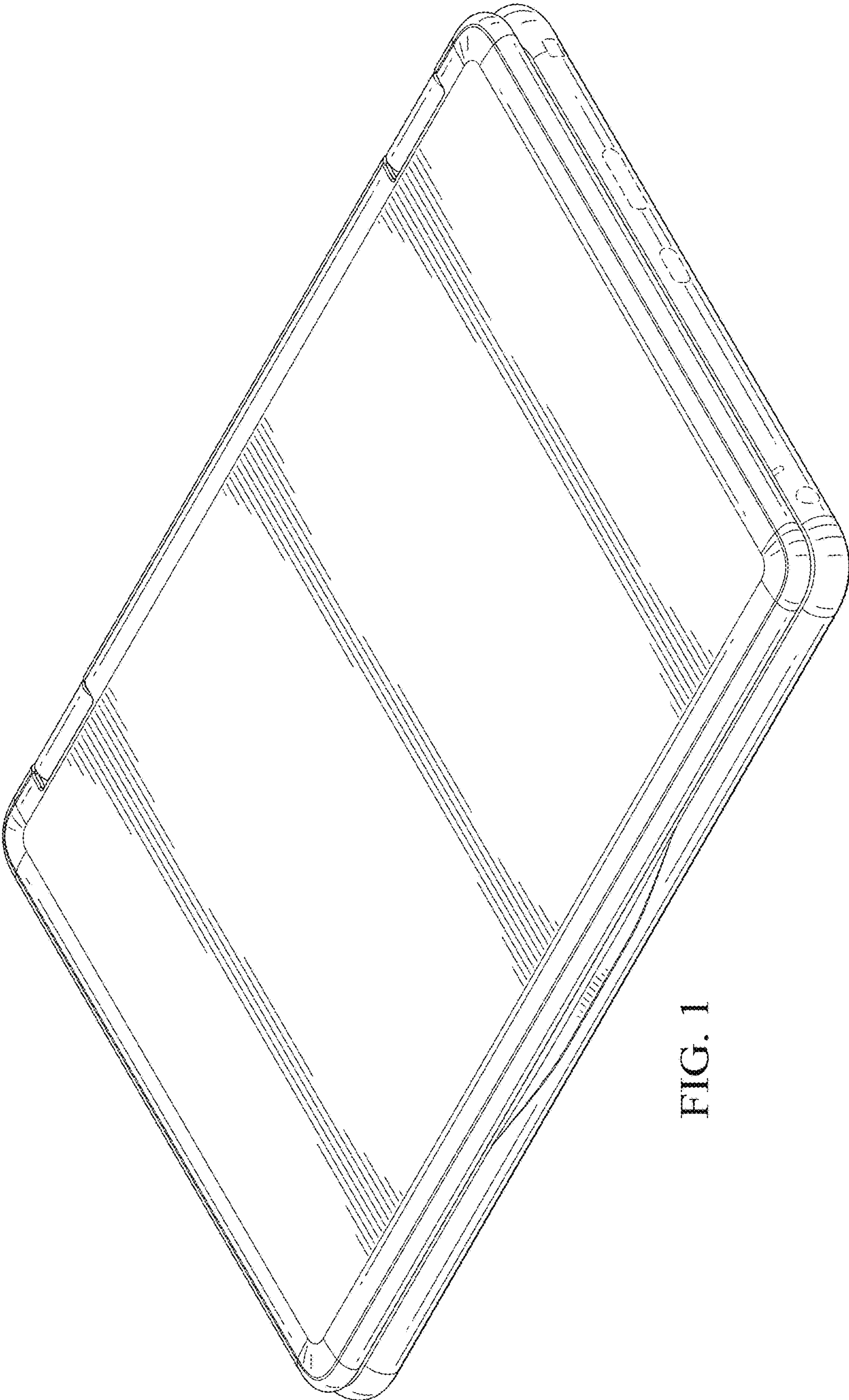


FIG. 1



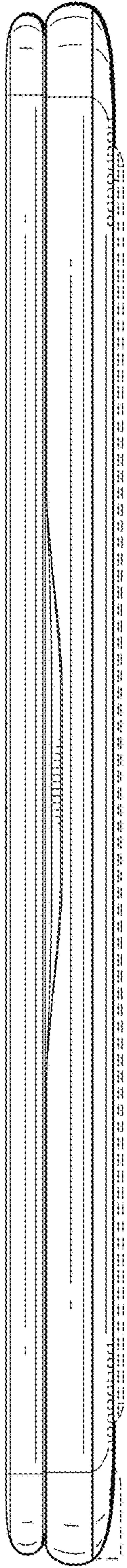


FIG. 2

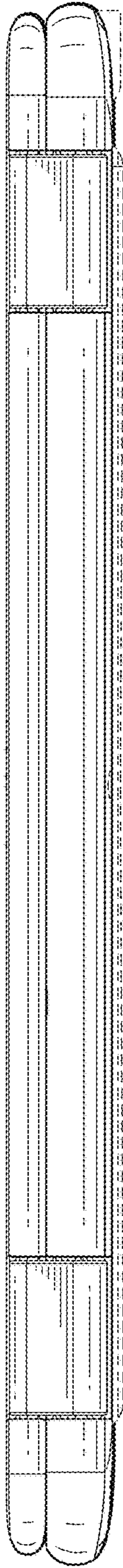


FIG. 3

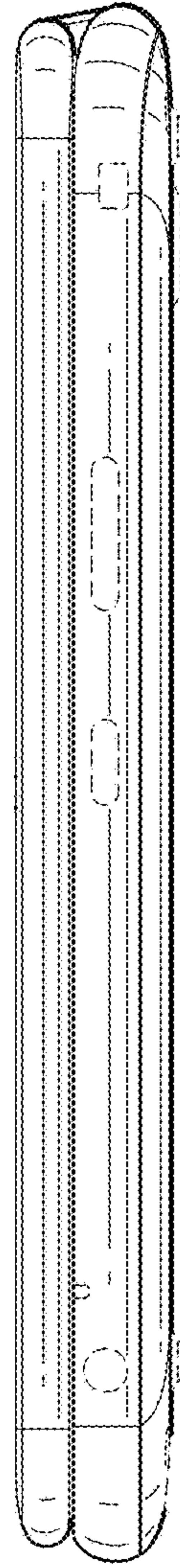


FIG. 4

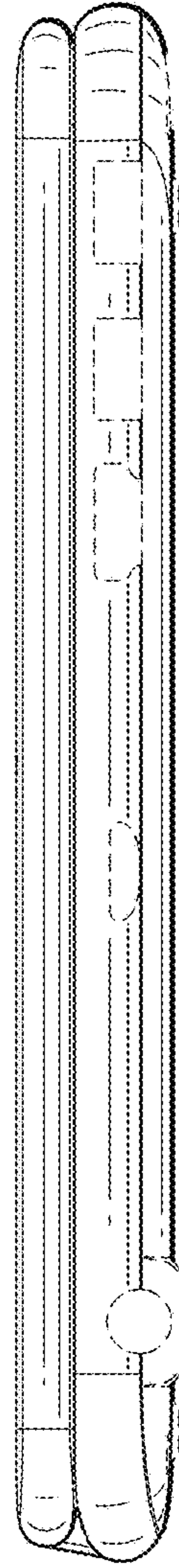


FIG. 5

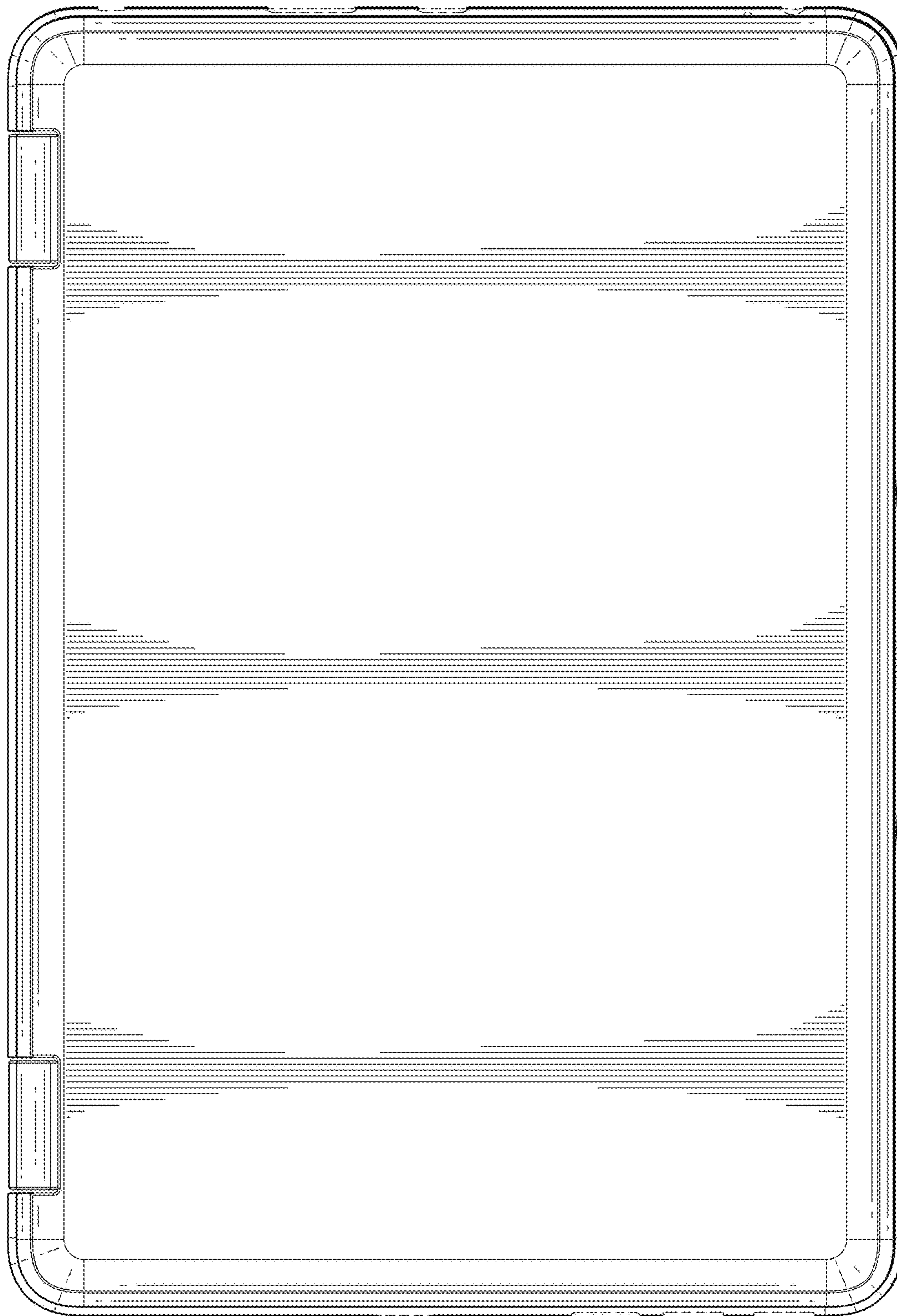


FIG. 6

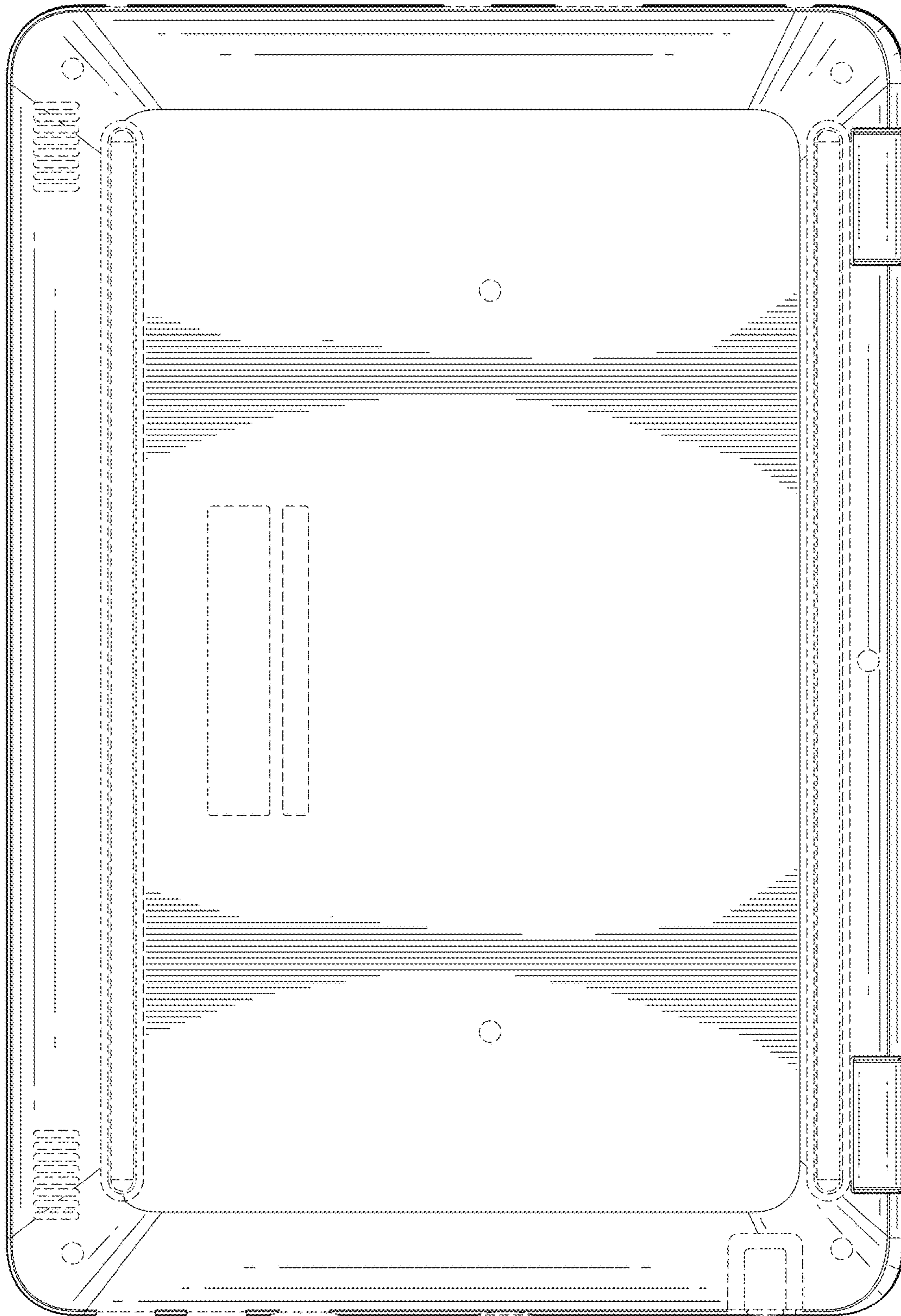


FIG. 7



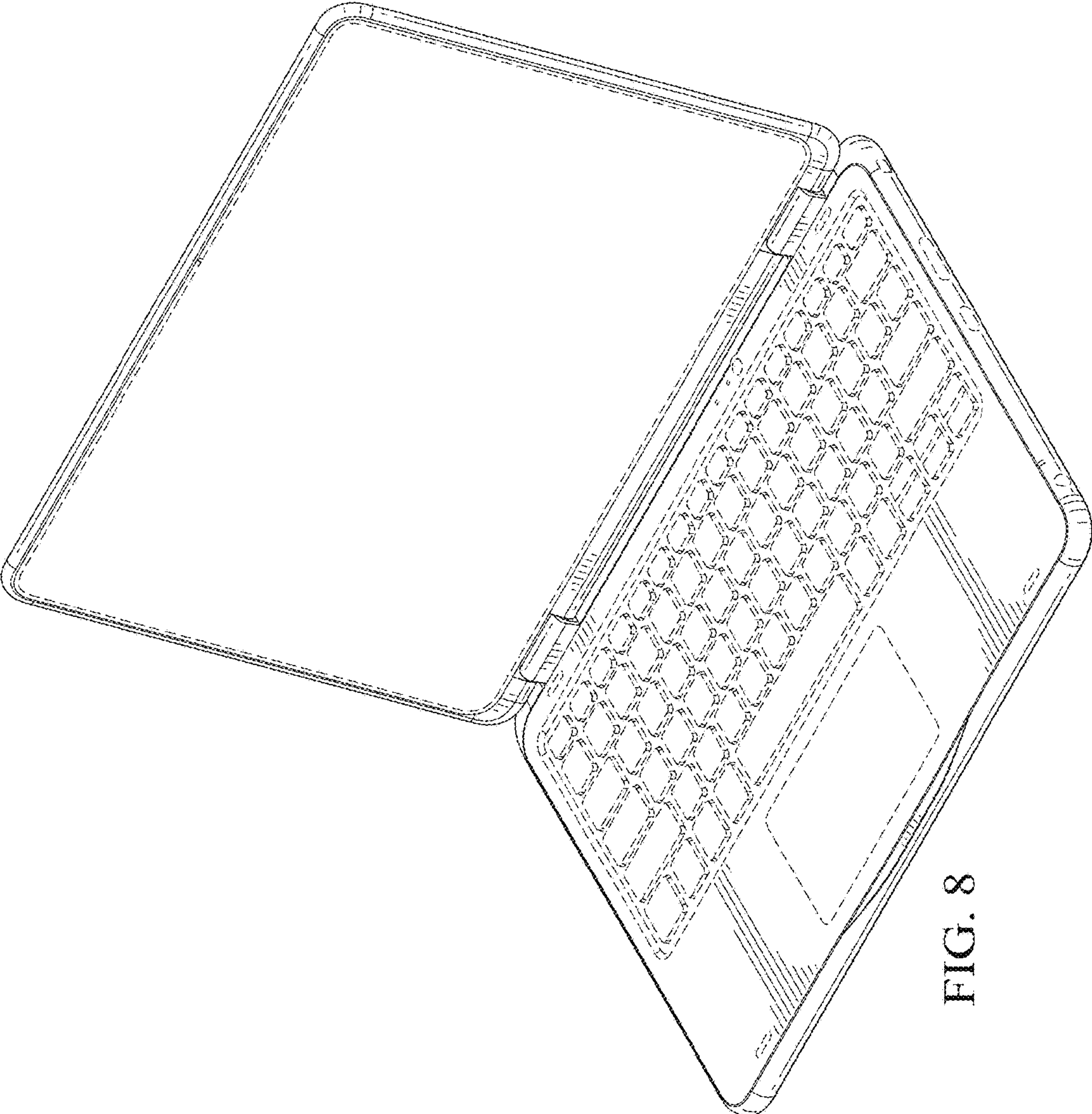


FIG. 8