



US00D813853S

(12) **United States Design Patent**
Cho et al.

(10) **Patent No.:** **US D813,853 S**
(45) **Date of Patent:** **** Mar. 27, 2018**

(54) **MOBILE PHONE**

(71) Applicant: **LG ELECTRONICS INC.**, Seoul (KR)

(72) Inventors: **Youngjoo Cho**, Seoul (KR); **Youngho Kim**, Seoul (KR); **Hyon Kim**, Seoul (KR)

(73) Assignee: **LG ELECTRONICS INC.**, Seoul (KR)

(**) Term: **15 Years**

(21) Appl. No.: **29/555,888**

(22) Filed: **Feb. 25, 2016**

(30) **Foreign Application Priority Data**

Aug. 26, 2015 (KR) 30-2015-0043017

(51) **LOC (11) Cl.** **14-03**

(52) **U.S. Cl.**
USPC **D14/248**

(58) **Field of Classification Search**
USPC D14/138 G, 138 AD, 248, 138 R,
D14/138 AC, 247, 137, 341-347
CPC H04M 1/0202; H04M 1/0235; H04M
1/0237; H04M 1/0239; H04M 1/0266;
H04M 1/0268; H04M 1/027; H04M
1/0295

See application file for complete search history.

(56) **References Cited**

U.S. PATENT DOCUMENTS

D560,642 S * 1/2008 Yun D14/138 AA
D592,656 S * 5/2009 Chen D14/248
D609,210 S * 2/2010 Sohn D14/138 AD
D629,783 S * 12/2010 Kim D14/138 G
D676,400 S * 2/2013 Kitamura D14/138 G

D732,500 S * 6/2015 Choe D14/138 G
D738,843 S * 9/2015 Yoon D14/138 G
D738,871 S * 9/2015 Ryu D14/138 C
D739,393 S * 9/2015 Chang D14/248
D747,287 S * 1/2016 Chang D14/138 G
D756,323 S * 5/2016 Seo D14/138 G
D756,950 S * 5/2016 Kim D14/138 G
D757,698 S * 5/2016 Lee D14/248
D758,335 S * 6/2016 Lee D14/138 G
D761,749 S * 7/2016 Lee D14/138 G
D762,606 S * 8/2016 Kim D14/138 G
D763,218 S * 8/2016 Lim D14/138 G
D764,427 S * 8/2016 Park D14/138 G
D779,452 S * 2/2017 Kim D14/138 G
D780,144 S * 2/2017 Ryu D14/138 G
D780,733 S * 3/2017 Ahn D14/248
D784,278 S * 4/2017 Yoon D14/138 AA
D788,088 S * 5/2017 Ryu D14/248

(Continued)

Primary Examiner — Bridget L Eland

(74) *Attorney, Agent, or Firm* — Birch, Stewart, Kolasch & Birch, LLP

(57) **CLAIM**

The ornamental design for a mobile phone, as shown and described.

DESCRIPTION

FIG. 1 is a rear perspective view of a mobile phone showing our new design;

FIG. 2 is a front view thereof;

FIG. 3 is a rear view thereof;

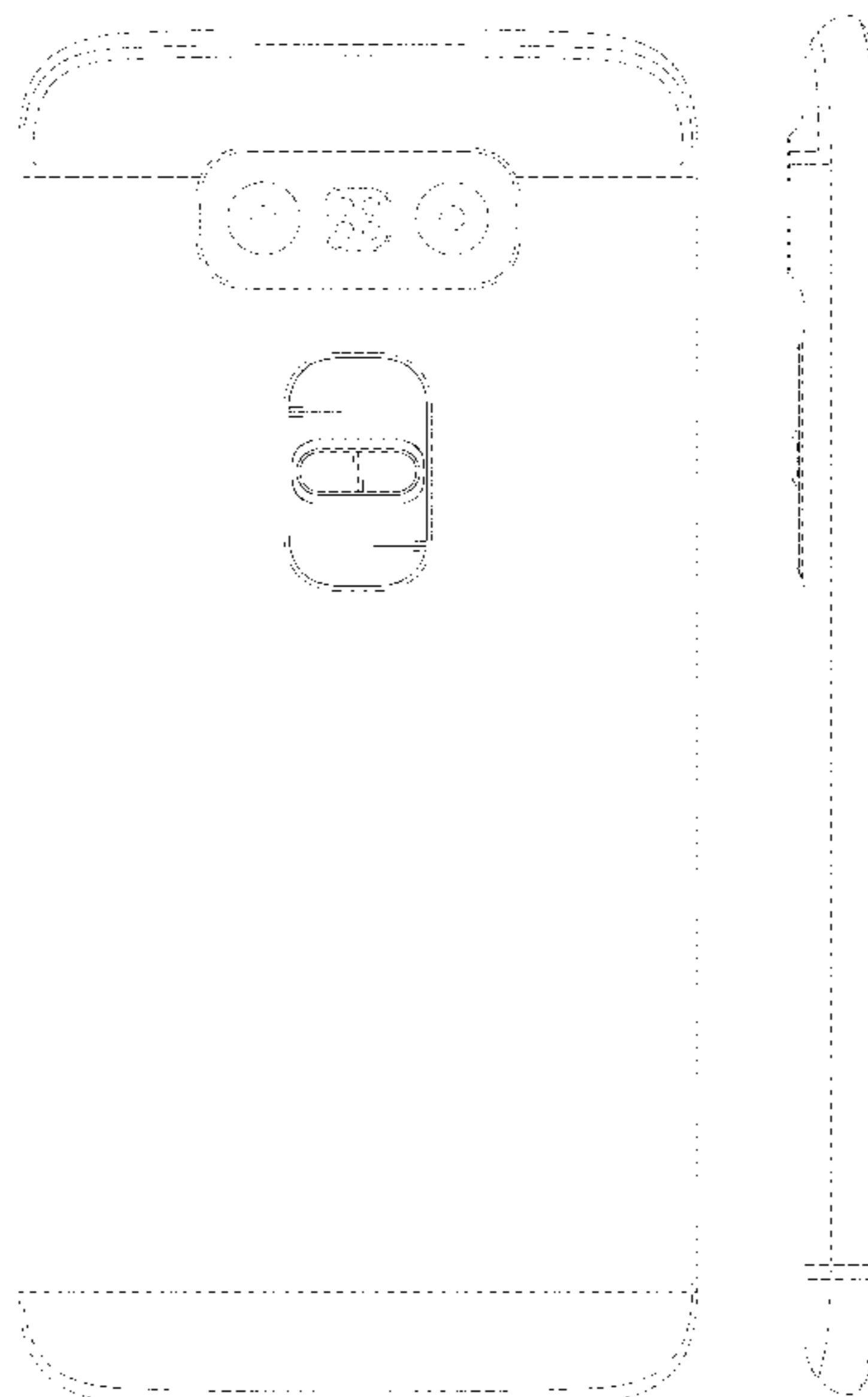
FIG. 4 is a left side view thereof where the right side view is a mirror image;

FIG. 5 is a top plan view thereof; and,

FIG. 6 is a bottom plan view thereof.

The broken lines depict portions of the mobile phone that form no part of the claimed design. The dash-dot broken lines define the bounds of the claimed design and form no part thereof.

1 Claim, 5 Drawing Sheets



(56)

References Cited

U.S. PATENT DOCUMENTS

D793,980 S * 8/2017 Park D14/138 G
2015/0141084 A1 * 5/2015 Kim H04M 1/236
455/575.1

* cited by examiner

FIG. 1

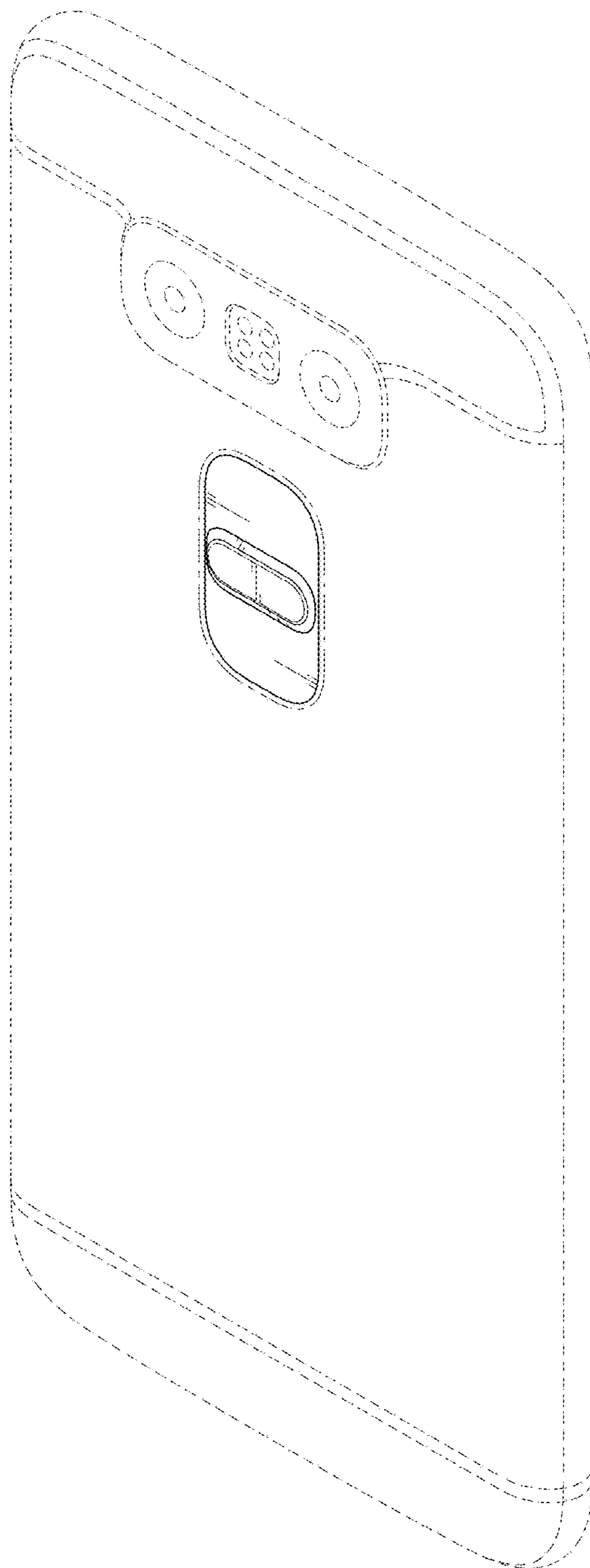


FIG. 2



FIG. 3

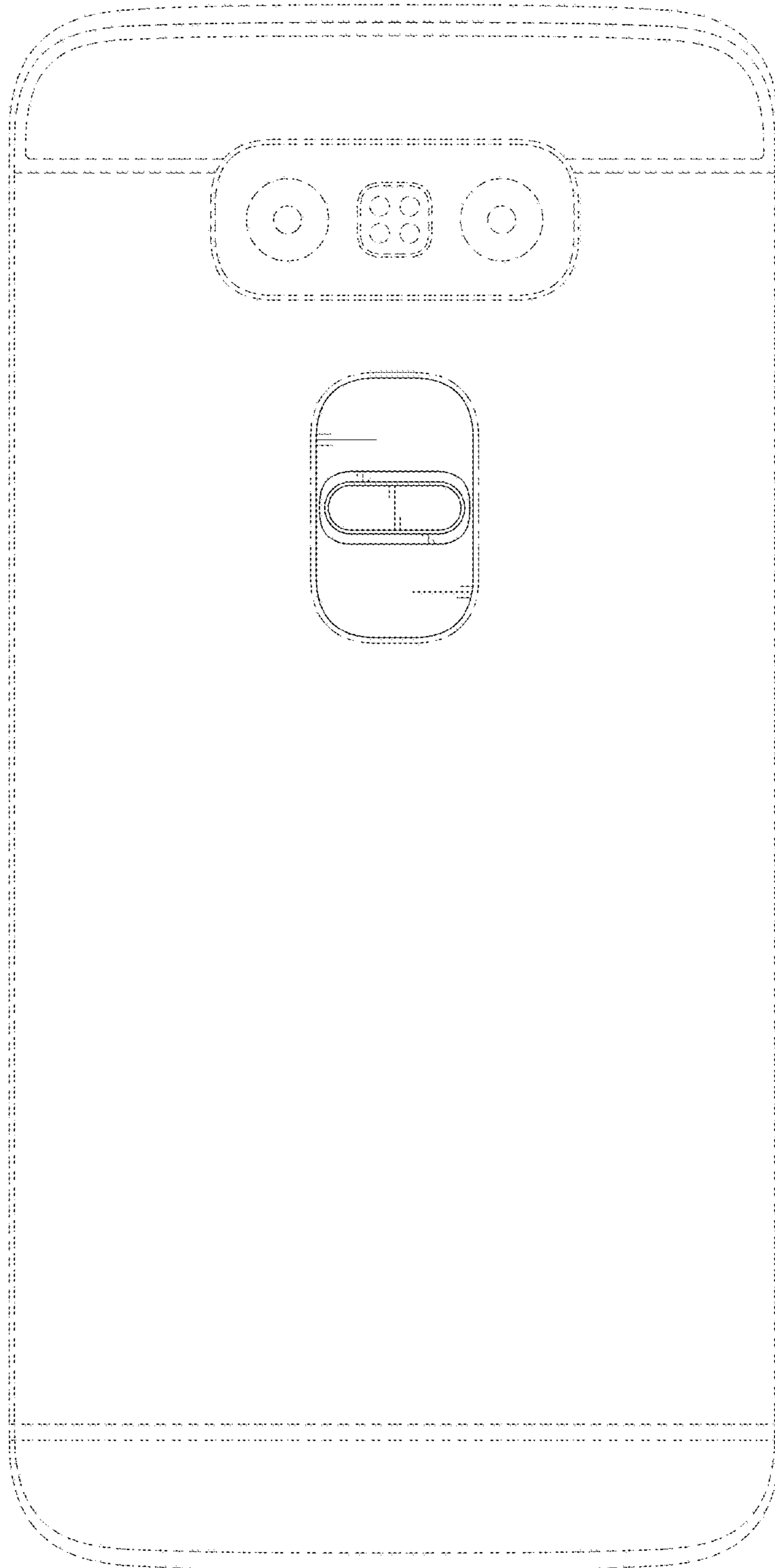


FIG. 4

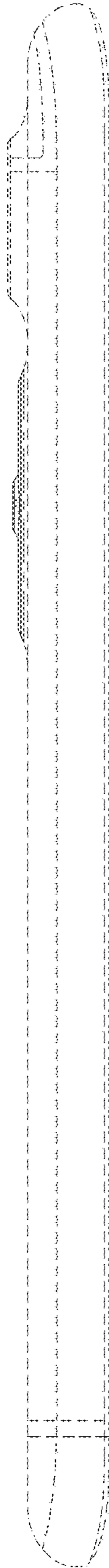


FIG. 5

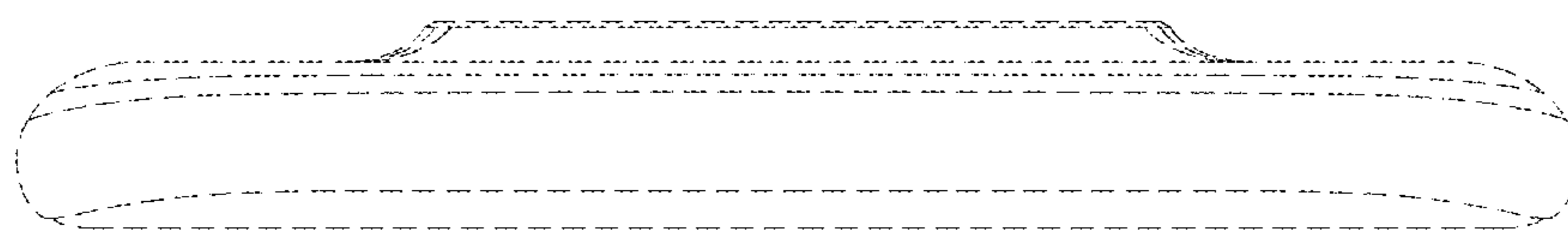


FIG. 6

