



US00D813852S

(12) **United States Design Patent** (10) **Patent No.:** **US D813,852 S**  
**Ni** (45) **Date of Patent:** **\*\* Mar. 27, 2018**

(54) **WIFI RANGE EXTENDER**

(56) **References Cited**

(71) Applicant: **HANGZHOU TELEHEMS ELECTRONICS TECHNOLOGY CO., LTD.**, Hangzhou, Zhejiang Province (CN)

U.S. PATENT DOCUMENTS

D315,893 S \* 4/1991 Cheng ..... D13/137.3  
D352,472 S \* 11/1994 Chen ..... D10/30  
D382,251 S \* 8/1997 Tsui ..... D13/137.1  
D405,376 S \* 2/1999 Stekelenburg ..... D10/40  
D434,863 S \* 12/2000 Boessel ..... D26/26  
D435,124 S \* 12/2000 Yuen ..... D26/26  
D435,125 S \* 12/2000 Boessel ..... D26/26

(72) Inventor: **Lizhou Ni**, Hangzhou (CN)

(Continued)

(73) Assignee: **HANGZHOU TELEHEMS ELECTRONICS TECHNOLOGY CO., LTD.**, Hangzhou (CN)

OTHER PUBLICATIONS

(\*\*) Term: **15 Years**

Wireless Data Communication Devices. (Design—© Questel). orbit.com.[online PDF] 94 pgs. Print Dates range Jul. 13, 2004 through Mar. 22, 2017. [Retrieved on Nov. 3, 2017] <https://sobjprd.questel.fr/export/QPTUJ214/pdf2/06cae8f1-a932-4c07-9ee4-f6fdf70cc034-183031.pdf>.\*

(21) Appl. No.: **29/573,415**

(22) Filed: **Aug. 5, 2016**

(30) **Foreign Application Priority Data**

Feb. 5, 2016 (CN) ..... 2016 3 0043032

*Primary Examiner* — Susan Bennett Hattan

*Assistant Examiner* — Marie D. Fast Horse

(51) **LOC (11) Cl.** ..... **14-03**

(74) *Attorney, Agent, or Firm* — Oliff PLC

(52) **U.S. Cl.**  
USPC ..... **D14/240; D14/358**

(57) **CLAIM**

(58) **Field of Classification Search**  
USPC ..... D14/356, 357, 358, 361, 362, 365, 367, D14/370, 388, 432, 434, 203.1, 203.6, D14/204, 205, 216, 217, 218, 240, 242, D14/299, 125, 129, 130, 140, 155, 168, D14/188, 195, 300, 302, 314, 348, 351, D14/496, 142; D13/103, 107, 108, 123, D13/152, 162, 162.1, 163, 168, 184, 199; D10/104.1, 106.6, 116.1, 61, 64, 75, D10/137.1, 137.2, 137.3, 139.1, 158; D22/119, 120; D23/355, 364, 366; D26/26, 72, 73, 32, 34, 366, 367  
CPC ... H04W 88/08; H04W 88/085; H04W 88/00; H04W 88/005; H04W 88/02; H04W 88/12; H04W 88/14; H04W 88/16; H04W 88/18; H04W 4/00; H01Q 1/02; H01Q 1/2291; H01Q 1/246; H04B 1/38

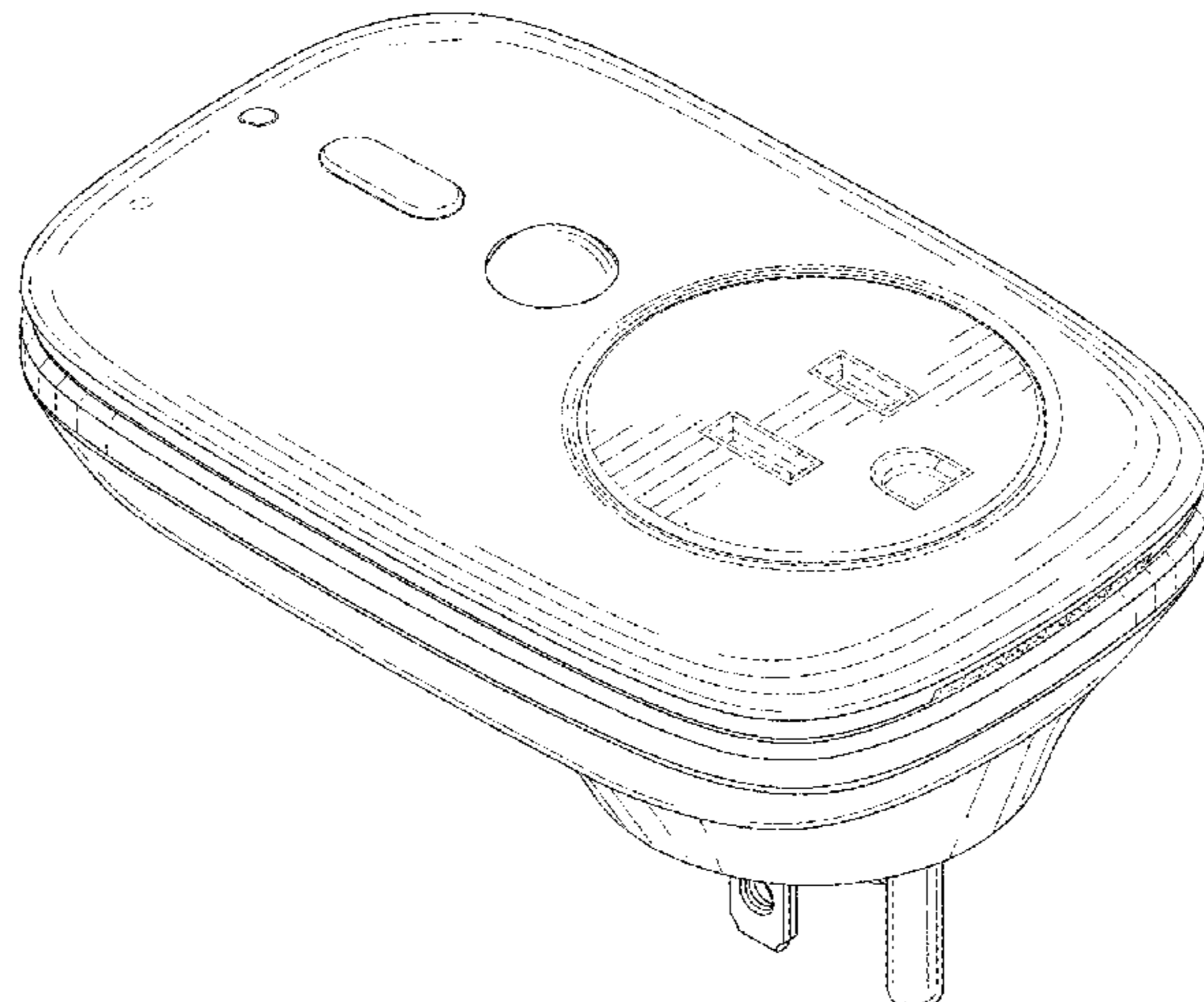
The ornamental design for a WiFi range extender, as shown and described.

**DESCRIPTION**

FIG. 1 is a front, left-side, bottom perspective view of the WiFi range extender;  
FIG. 2 is a rear, right-side, top perspective view thereof;  
FIG. 3 is a front elevational view thereof;  
FIG. 4 is a top plan view thereof;  
FIG. 5 is a right-side elevational view thereof;  
FIG. 6 is a left-side elevational view thereof;  
FIG. 7 is a rear elevational view thereof; and,  
FIG. 8 is a bottom plan view thereof.  
The broken lines depict unclaimed portions of the WiFi range extender, and thus form no part of the claimed design.

See application file for complete search history.

**1 Claim, 8 Drawing Sheets**



(56)

## References Cited

## U.S. PATENT DOCUMENTS

D450,604 S \* 11/2001 Stekelenburg ..... D10/40  
D457,667 S \* 5/2002 Piepgras ..... D26/26  
D457,974 S \* 5/2002 Piepgras ..... D26/26  
D466,420 S \* 12/2002 Chen ..... D10/40  
D486,450 S \* 2/2004 Stekelenburg ..... D13/137.3  
D487,728 S \* 3/2004 Murray ..... D13/162  
D489,337 S \* 5/2004 Murray ..... D13/162  
D492,262 S \* 6/2004 Murray ..... D13/162  
D492,263 S \* 6/2004 Murray ..... D13/162  
D520,451 S \* 5/2006 Stekelenburg ..... D13/137.3  
D523,972 S \* 6/2006 Chan ..... D26/26  
D524,457 S \* 7/2006 Chan ..... D26/26  
D525,540 S \* 7/2006 Stekelenburg ..... D10/40  
D534,440 S \* 1/2007 Stekelenburg ..... D10/40  
D535,201 S \* 1/2007 Stekelenburg ..... D10/40  
D565,036 S \* 3/2008 Ju ..... D14/240  
D619,535 S \* 7/2010 Shi ..... D13/137.2  
D644,362 S \* 8/2011 Kingston ..... D26/26  
D646,590 S \* 10/2011 Stekelenburg ..... D10/40  
D669,029 S \* 10/2012 Huang ..... D13/110  
D677,223 S \* 3/2013 Cho ..... D13/110  
D694,713 S \* 12/2013 Yeo ..... D13/137.1  
D705,170 S \* 5/2014 Diehl ..... D13/137.1  
D713,788 S \* 9/2014 Hasegawa ..... D13/110  
D724,583 S \* 3/2015 Ge ..... D14/358  
D755,127 S \* 5/2016 Wong ..... D13/137.2  
D758,312 S \* 6/2016 Lin ..... D13/137.2  
D767,426 S \* 9/2016 Zhu ..... D10/106.1  
D771,039 S \* 11/2016 Windstrup ..... D14/356  
D772,442 S \* 11/2016 Lange ..... D26/26  
D780,878 S \* 3/2017 Zhang ..... D22/120  
D800,077 S \* 10/2017 Windstrup ..... D10/104.1  
2017/0122539 A1 \* 5/2017 Dai ..... F21S 9/02

\* cited by examiner

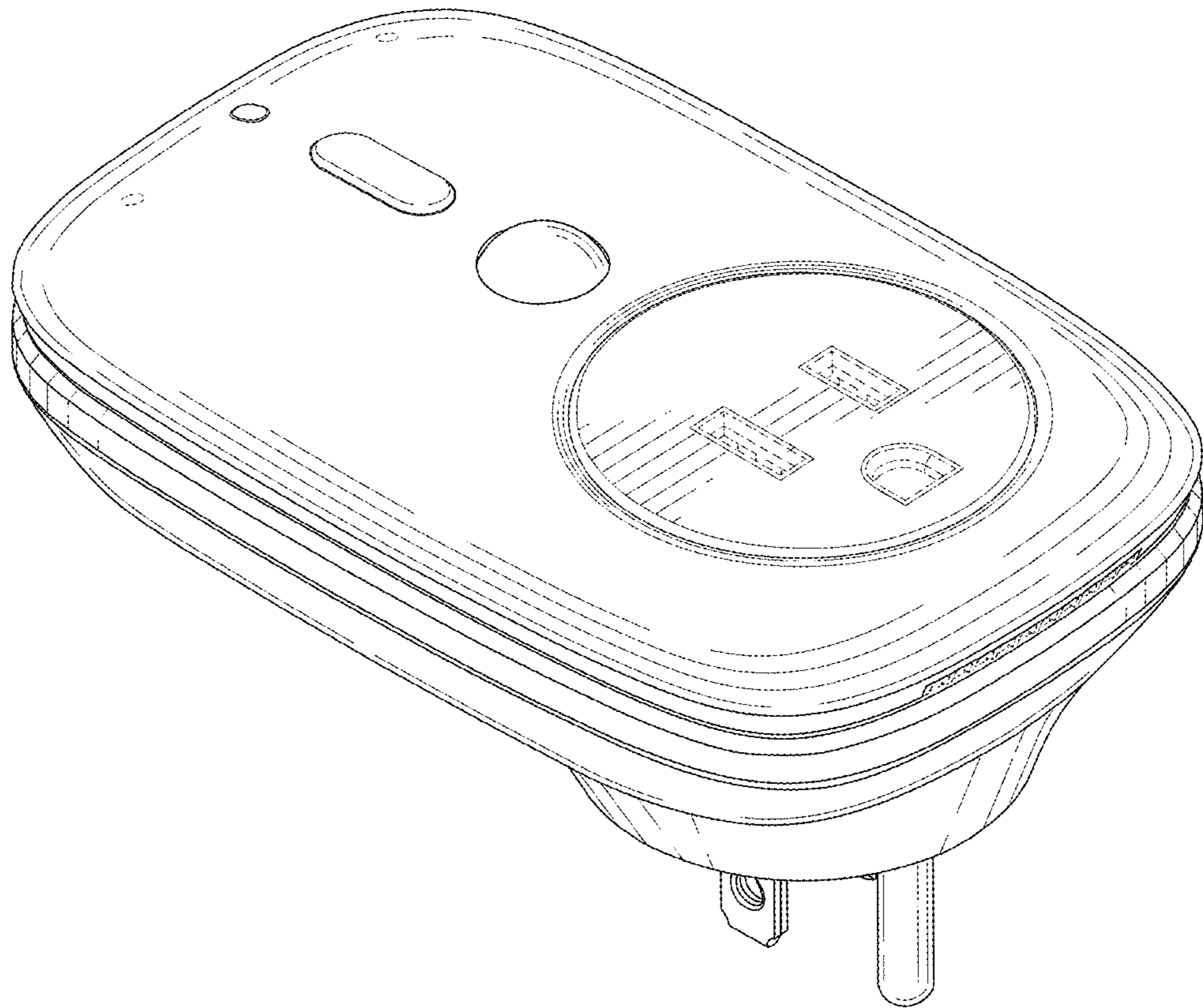


FIG. 1

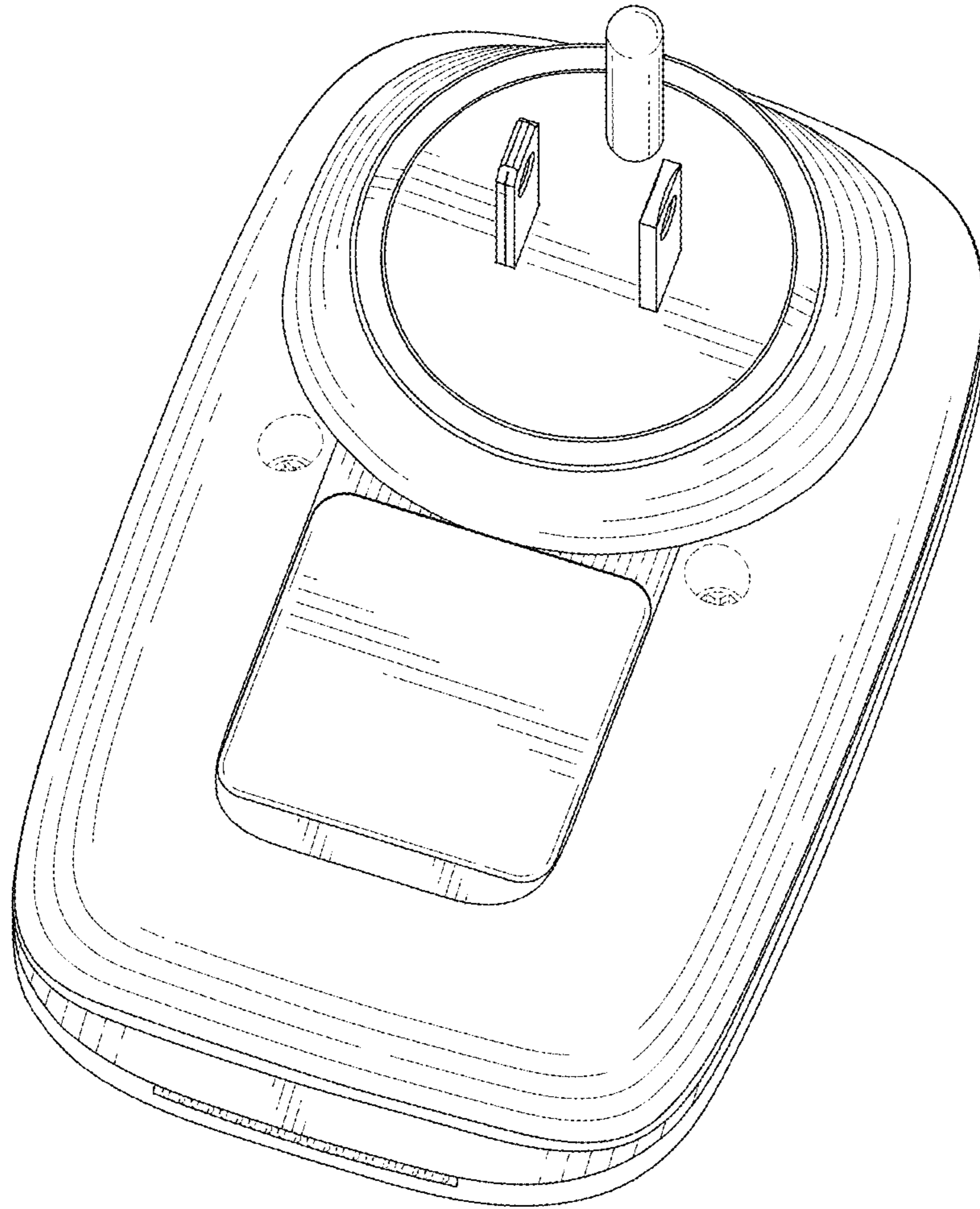


FIG. 2

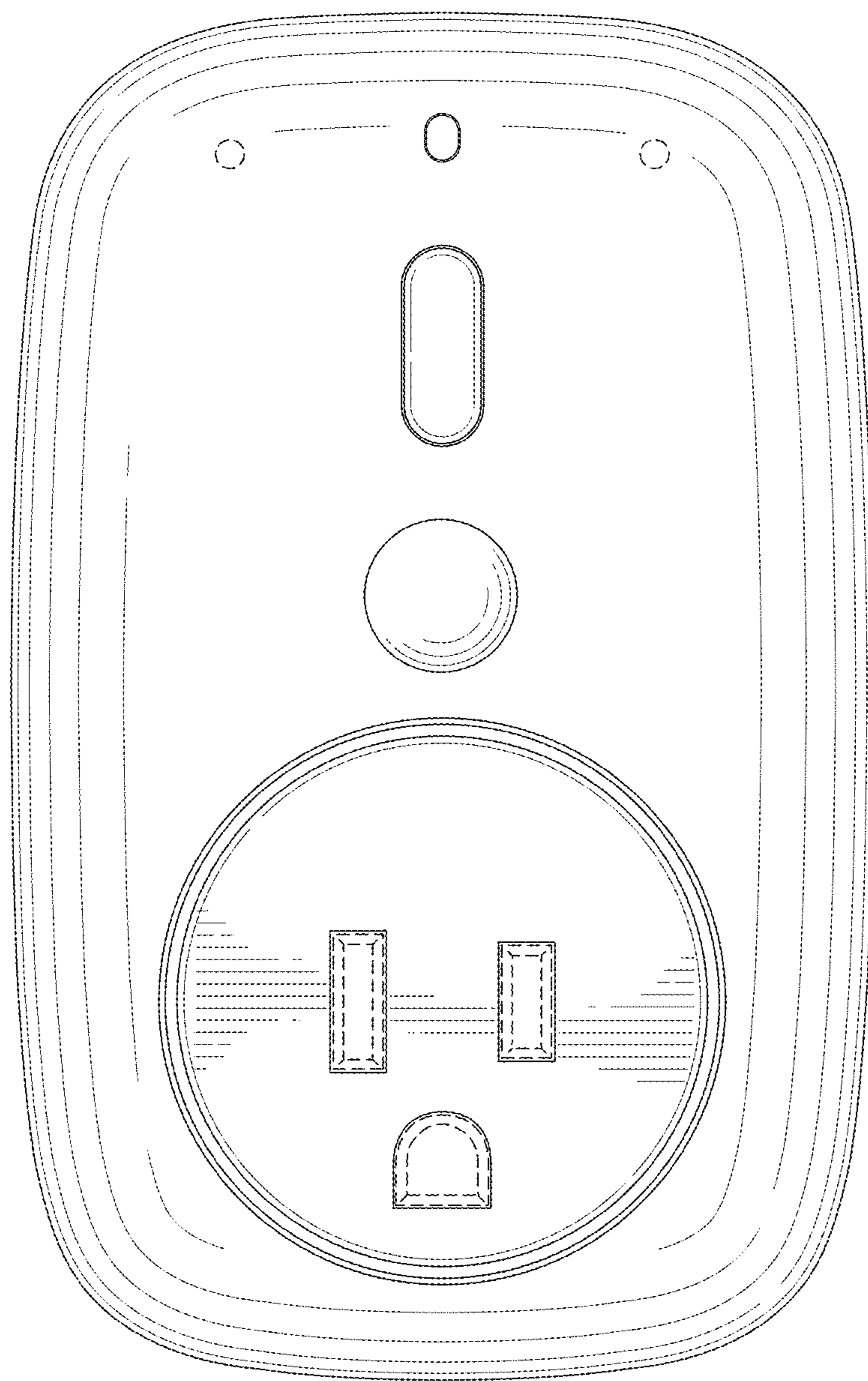


FIG. 3

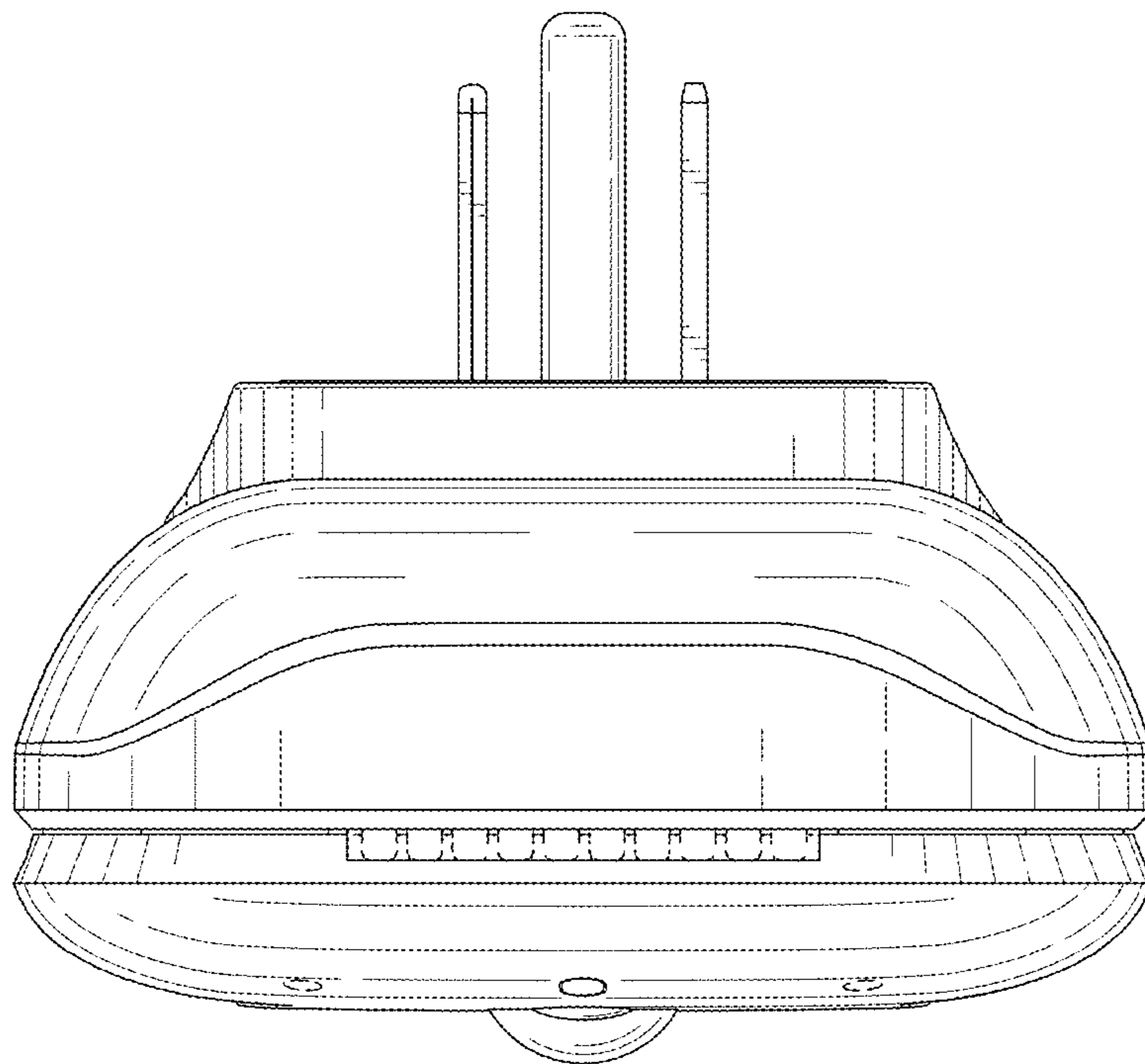


FIG. 4

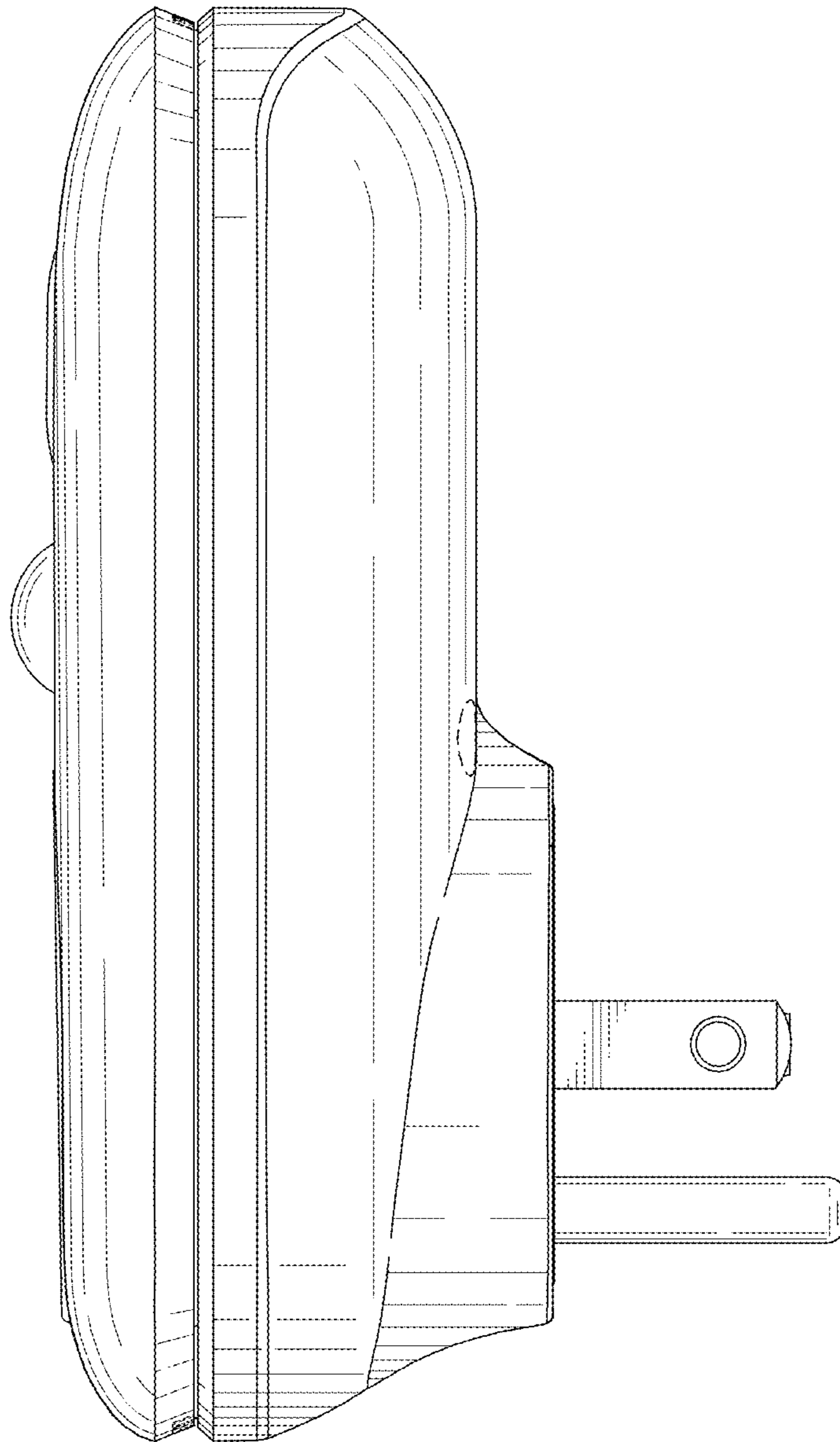


FIG. 5

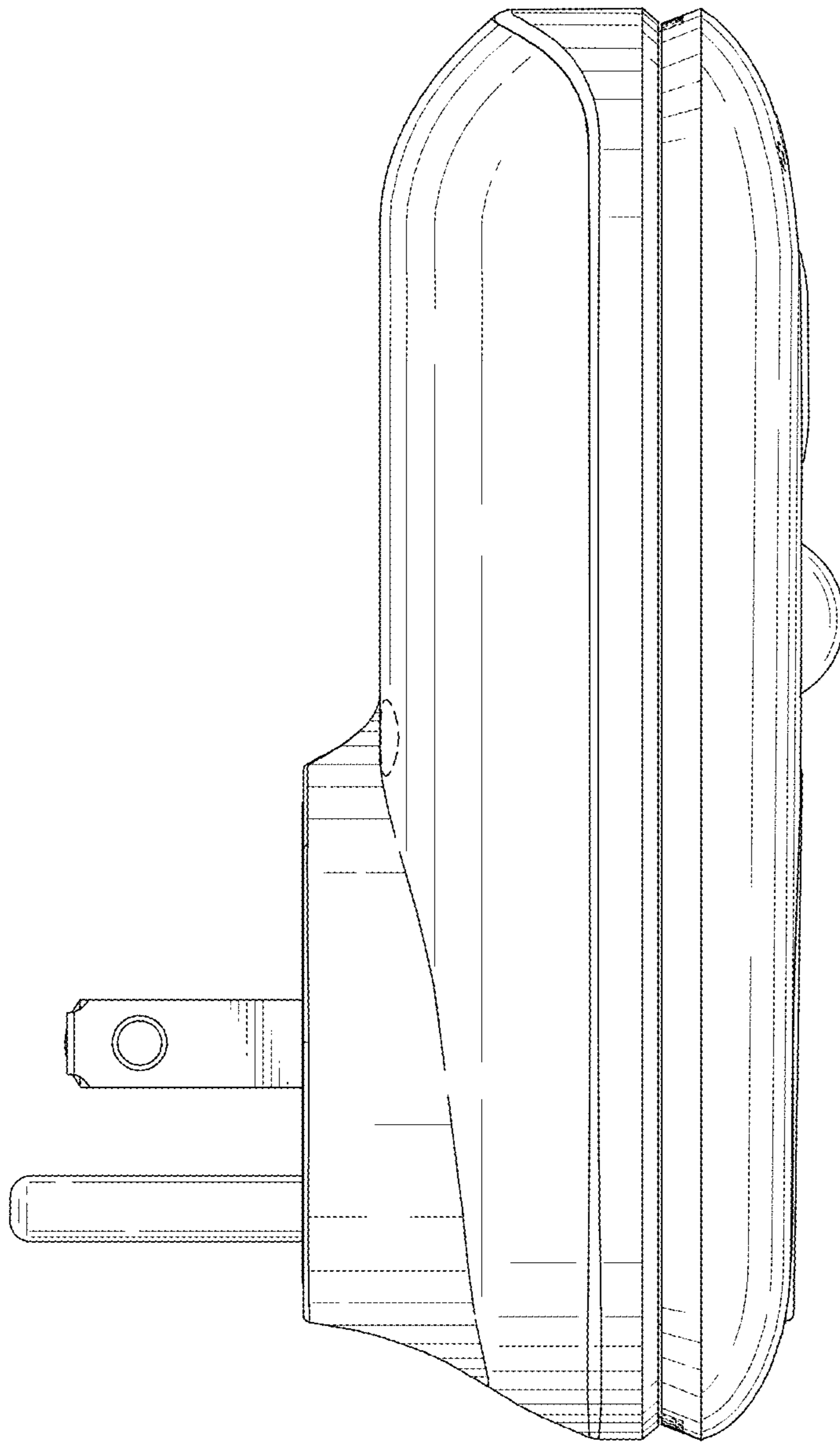


FIG. 6



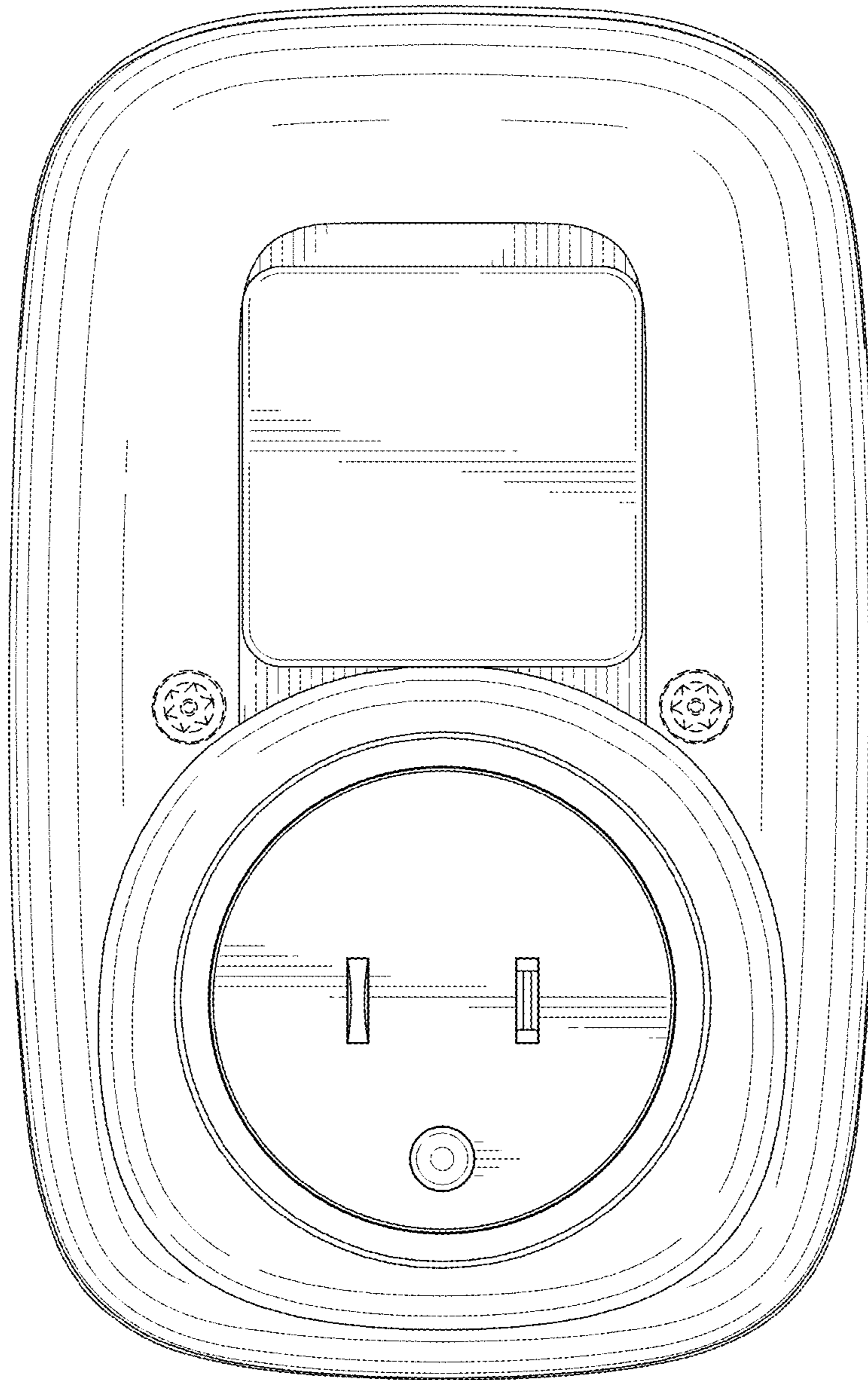


FIG. 7

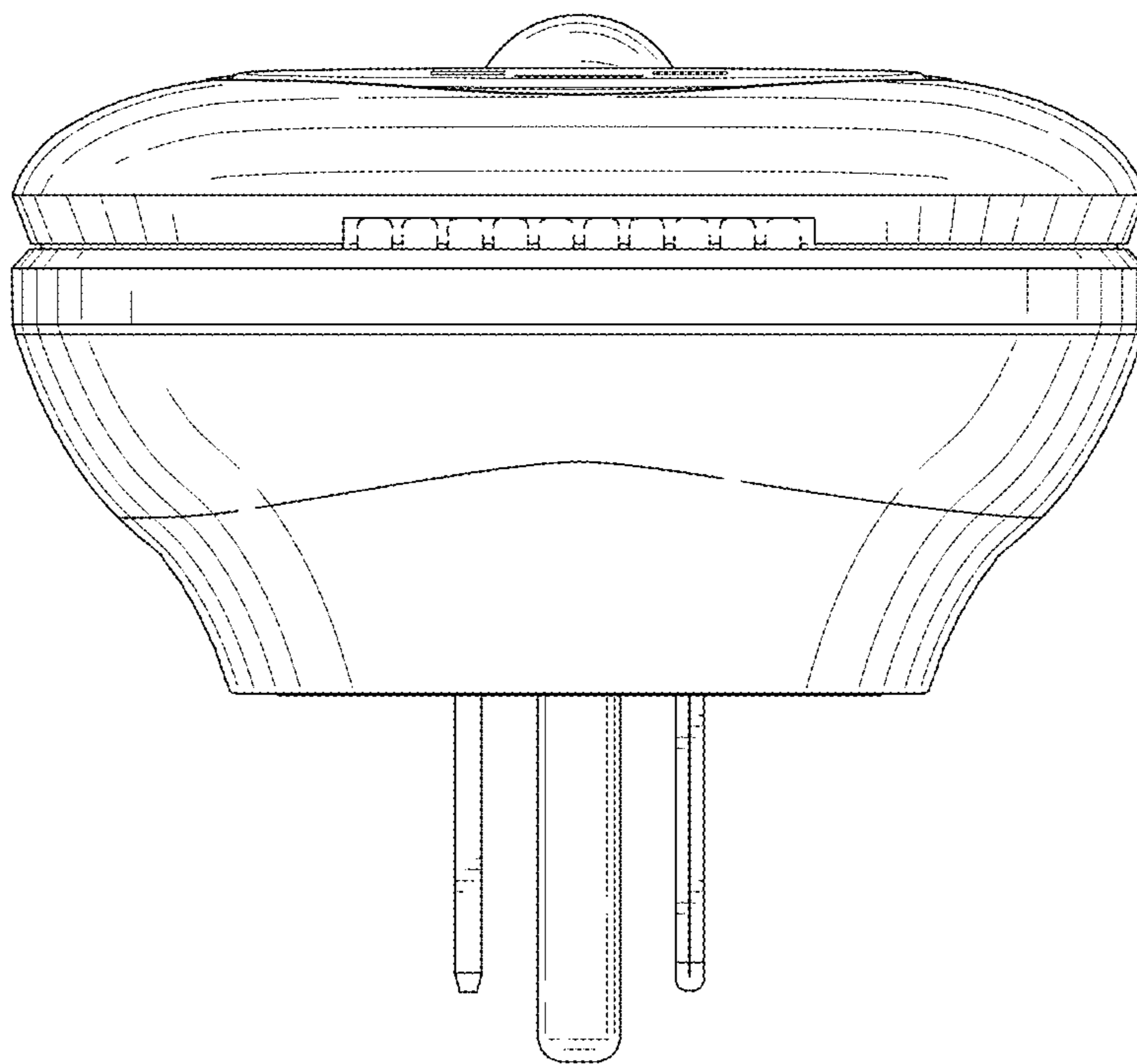


FIG. 8