



US00D813850S

(12) **United States Design Patent**
Young, III

(10) **Patent No.: US D813,850 S**
(45) **Date of Patent: ** Mar. 27, 2018**

- (54) **HEADPHONE STAND**
- (71) Applicant: **William K. Young, III**, Jonesboro, AR (US)
- (72) Inventor: **William K. Young, III**, Jonesboro, AR (US)
- (**) Term: **15 Years**
- (21) Appl. No.: **29/589,562**
- (22) Filed: **Jan. 3, 2017**
- (51) **LOC (11) Cl. 14-01**
- (52) **U.S. Cl.**
USPC **D14/224**
- (58) **Field of Classification Search**
USPC D14/224, 217, 155, 137, 221, 229, 251, D14/168, 149, 253; D13/107, 108; D6/570, 675.4, 675.1, 580; 320/113, 114; 312/351; D8/356, 358; 248/455; 174/154; D3/901, 903; 379/430, 431; 211/35, 70.5; 455/90.3, 575.1, 569.1
See application file for complete search history.

- 4,773,690 A * 9/1988 Heinegg A47J 43/07 206/373
- 4,779,816 A * 10/1988 Varlet B65H 75/06 24/910
- 4,799,744 A * 1/1989 Toy A47J 47/16 211/184
- 4,802,593 A * 2/1989 Romanos B43M 99/00 211/10
- D300,214 S * 3/1989 Adams D13/108
- D323,753 S * 2/1992 Johnston D11/131
- 5,095,382 A * 3/1992 Abe H04B 10/114 320/107
- D325,578 S * 4/1992 Daido D14/155
- D335,861 S * 5/1993 Tattari D13/108
- D337,718 S * 7/1993 Donaldson D8/358

(Continued)

FOREIGN PATENT DOCUMENTS

WO WO9745043 12/1997

Primary Examiner — Paula Allen Greene

(74) *Attorney, Agent, or Firm* — Goldstein Law Offices, P.C.

(57) **CLAIM**

The ornamental design for a headphone stand, as shown and described.

DESCRIPTION

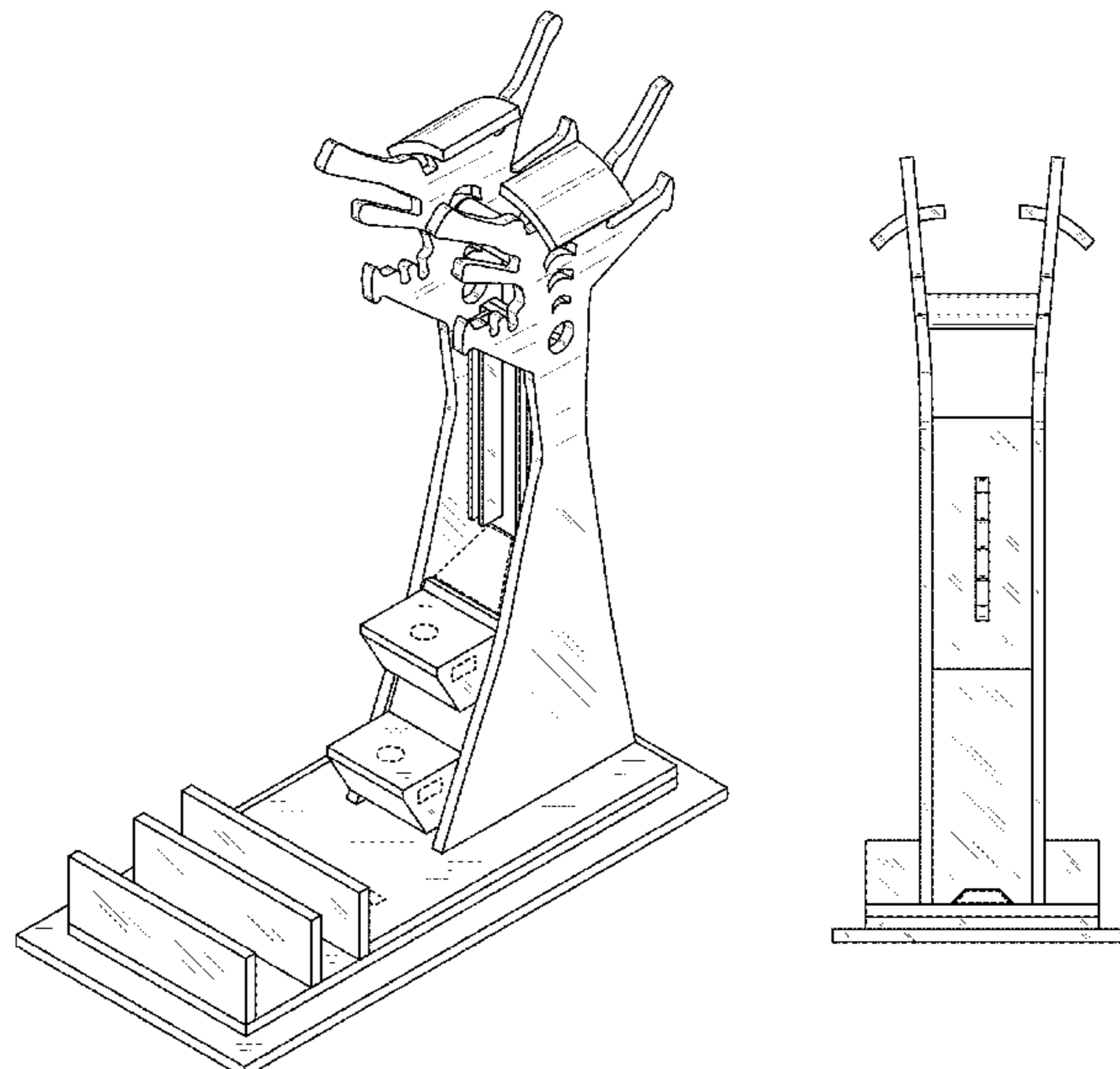
FIG. 1 is a perspective view of the headphone stand, showing my design.
 FIG. 2 is a top plan view thereof.
 FIG. 3 is a bottom plan view thereof.
 FIG. 4 is a front elevational view thereof.
 FIG. 5 is a rear elevational view thereof.
 FIG. 6 is a right side elevational view thereof; and,
 FIG. 7 is a left side elevational view thereof.
 Regions of the item within the broken lines in FIGS. 1, 2, and 4-7 form no part of the claimed design.

1 Claim, 4 Drawing Sheets

(56) **References Cited**

U.S. PATENT DOCUMENTS

- 1,747,628 A * 2/1930 Hagel A41H 17/00 211/13.1
- D135,982 S * 7/1943 Morris 211/13.1
- D159,960 S * 9/1950 Davy 15/246.4
- D200,709 S * 3/1965 Shalvoy D13/108
- 3,442,393 A * 5/1969 Koppelman A47G 19/24 211/106
- 3,626,495 A * 12/1971 Bastian, Jr. B65H 75/06 242/405.2
- D231,293 S * 4/1974 Cosolito D6/570
- 4,036,464 A 7/1977 Olson
- D251,426 S * 3/1979 Molyneux D14/229
- 4,586,675 A * 5/1986 Brown B65H 75/4476 242/405.2



(56)

References Cited

U.S. PATENT DOCUMENTS

D350,956 S *	9/1994	Sumikawa	D14/155	D643,430 S *	8/2011	Nuovo	D14/434
5,347,208 A *	9/1994	Iida	H02J 7/0042	D662,089 S *	6/2012	Gougherty	D14/224
			320/113	D669,888 S *	10/2012	Gougherty	D14/223
D355,913 S *	2/1995	Chong	D14/155	D676,021 S *	2/2013	Stevinson	D14/205
D357,248 S *	4/1995	Cheng	D14/137	D676,022 S *	2/2013	Stevinson	D14/205
5,457,745 A *	10/1995	Wang	B60R 11/0241	D676,416 S *	2/2013	Stevinson	D14/205
			379/426	D684,145 S *	6/2013	Rath	D14/206
5,601,193 A *	2/1997	Santoya	G09F 1/103	D691,581 S	10/2013	Merces et al.	
			211/11	8,763,818 B1 *	7/2014	Pargansky	A47L 17/00
5,657,880 A *	8/1997	Birnbaum	B42F 7/12				211/10
			211/11	8,838,029 B2 *	9/2014	Goldman	H04M 1/04
D387,784 S *	12/1997	Nakamura	D14/155				455/41.2
5,727,745 A	3/1998	Vara		8,869,996 B1 *	10/2014	Christenson	A47F 7/0028
D416,536 S *	11/1999	Ross	D13/107				211/119.009
D433,005 S *	10/2000	McGugan	D14/142	D720,718 S	1/2015	Stevinson	
6,142,405 A *	11/2000	Black	B65H 75/06	8,966,684 B2 *	3/2015	Seehoff	A47C 21/00
			242/388.6				248/188.2
D444,123 S *	6/2001	Hofstede	D13/108	9,004,357 B2	4/2015	Jackson	
D462,337 S *	9/2002	Schmidt	D14/149	D761,759 S *	7/2016	He	D14/204
D462,342 S *	9/2002	Polito	D14/224	D780,490 S *	3/2017	James	D6/682
D462,950 S *	9/2002	Waffensmith	D14/251	2002/0117996 A1 *	8/2002	Cheng	H02G 11/02
D464,038 S *	10/2002	Bebenroth	D14/223				320/114
D482,674 S *	11/2003	Rath	D14/206	2004/0011932 A1 *	1/2004	Duff	F16M 11/10
D489,324 S *	5/2004	Suzuki	D13/108				248/157
D496,029 S *	9/2004	Skulley	D14/224	2004/0190238 A1 *	9/2004	Hubbard	F16M 11/046
6,813,771 B2 *	11/2004	Weaver	G11B 33/0455				361/679.09
			720/600	2005/0008147 A1 *	1/2005	Lee	H04M 1/05
D518,477 S *	4/2006	Chen	D14/205				379/431
D523,412 S *	6/2006	Ham	D13/108	2005/0103957 A1 *	5/2005	Chang	F16M 13/00
7,098,406 B1 *	8/2006	Hammonds	B65H 75/06				248/127
			174/135	2006/0011564 A1 *	1/2006	Hatzis	A47B 63/00
D551,216 S *	9/2007	Wei	D14/223				211/10
D560,206 S *	1/2008	Hermansen	D14/206	2008/0017596 A1 *	1/2008	Brock	A45D 33/26
D564,501 S *	3/2008	Rath	D14/224				211/10
D569,158 S *	5/2008	Chou	D6/580	2013/0233816 A1 *	9/2013	Greenfield	A47B 81/02
D576,867 S *	9/2008	Kretz	D8/356				211/85.3
D582,901 S *	12/2008	Bentley	D14/224	2014/0153182 A1 *	6/2014	North	G06F 1/1632
D589,031 S *	3/2009	Bentley	D14/224				361/679.41
D593,998 S *	6/2009	Bentley	D14/224	2014/0175031 A1 *	6/2014	Roberts	H02J 7/0027
D597,939 S *	8/2009	Tkachuk	D13/108				211/26.2
D602,008 S *	10/2009	Bentley	D14/205	2015/0263547 A1 *	9/2015	Browne	H02J 7/0027
D602,917 S *	10/2009	Bentley	D14/224				320/103
D603,376 S *	11/2009	Blasko	D14/223	2016/0066076 A1	3/2016	Schatt	
D620,781 S *	8/2010	Weckworth	D8/356	2016/0190838 A1 *	6/2016	Webb	H02J 7/0044
7,845,612 B2	12/2010	Mase					320/115
				2017/0215556 A1 *	8/2017	Sullivan	A45D 44/06

* cited by examiner

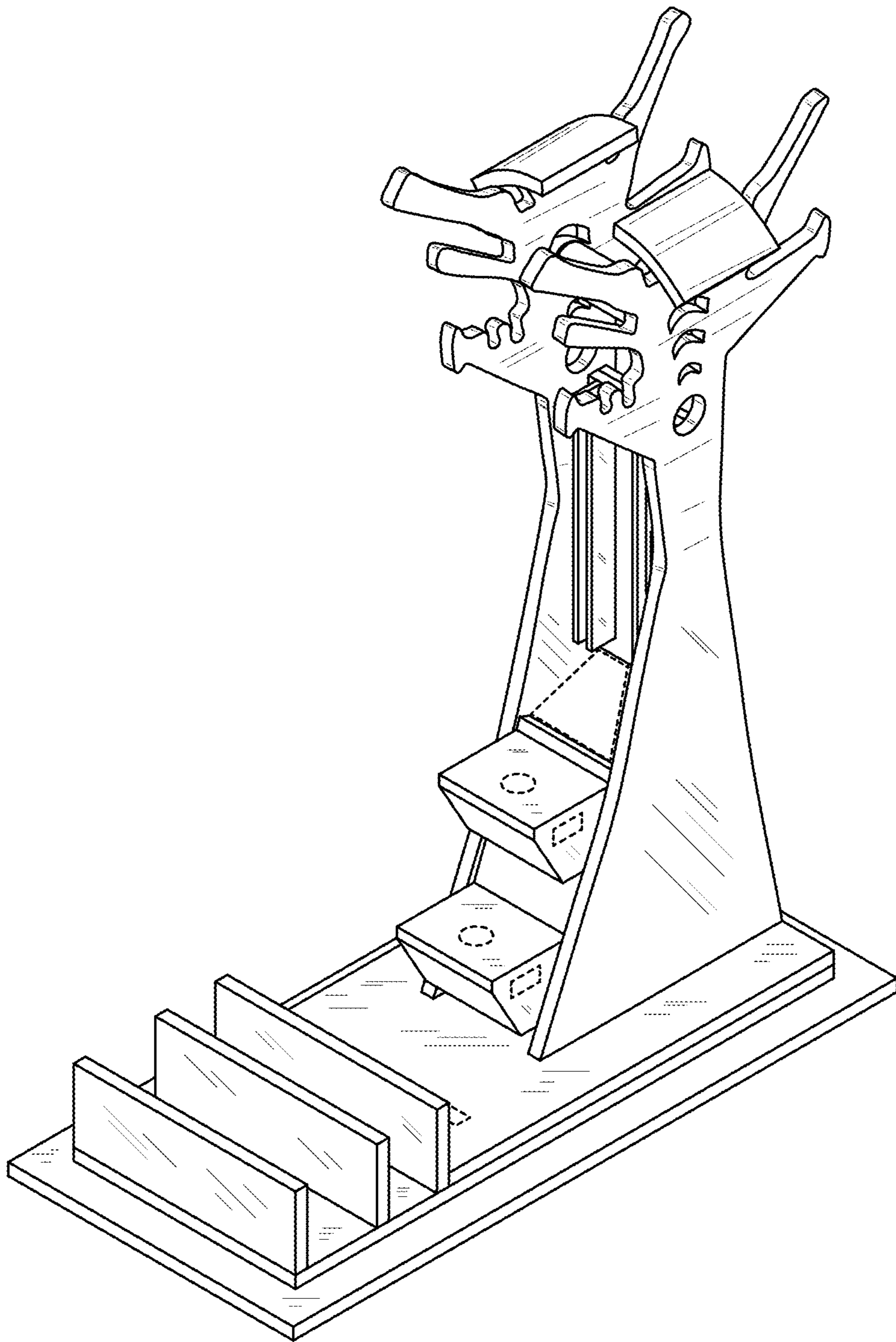


FIG. 1

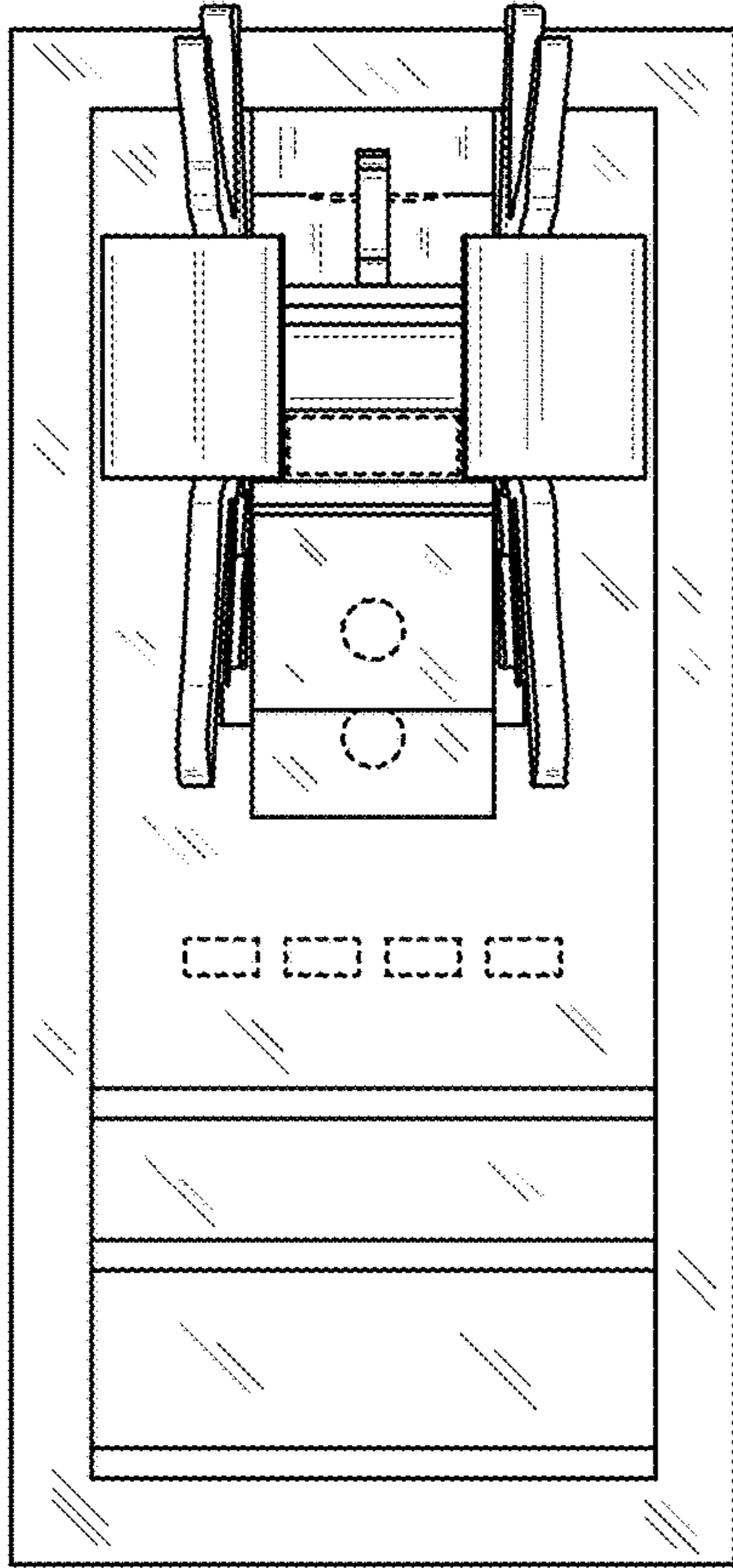


FIG. 2

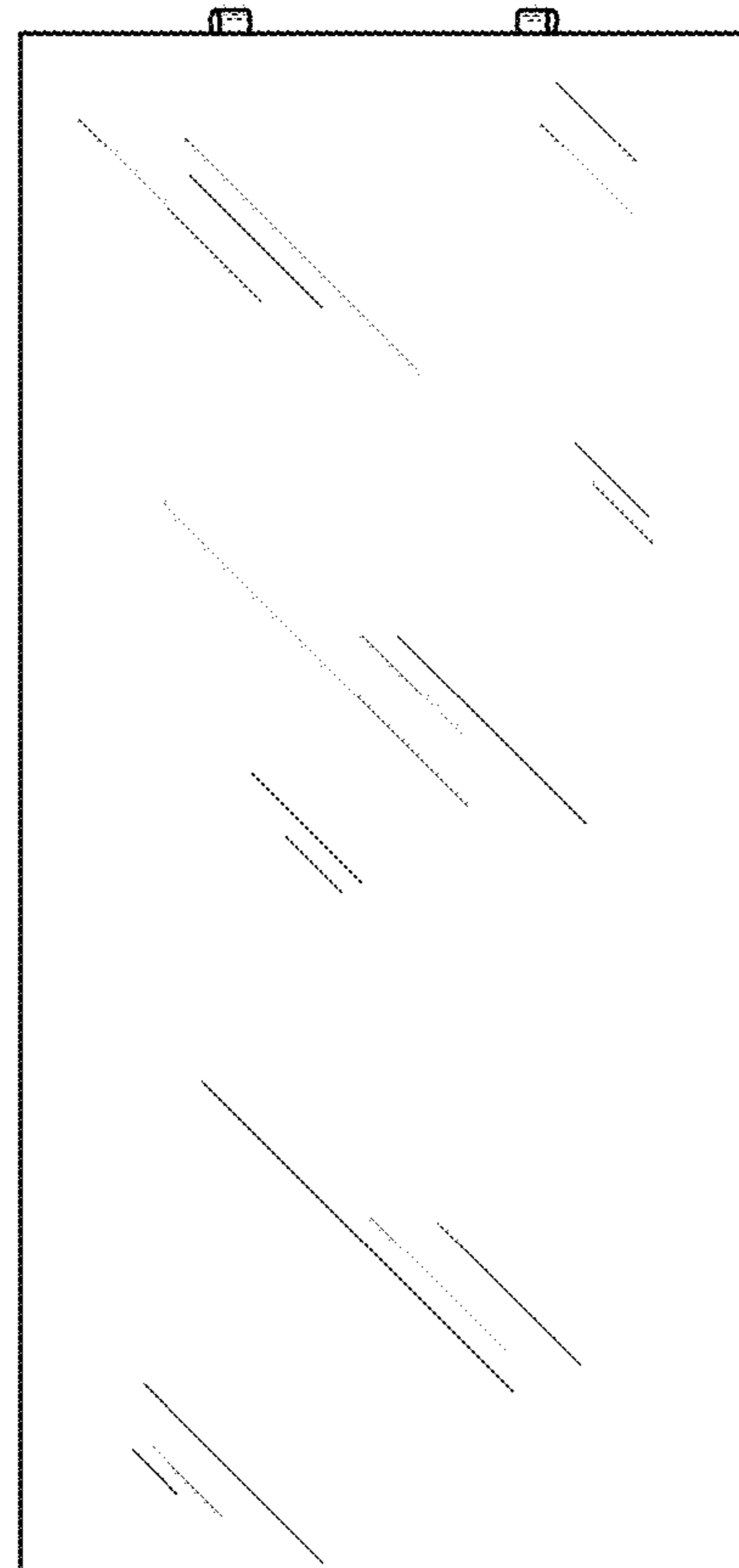


FIG. 3

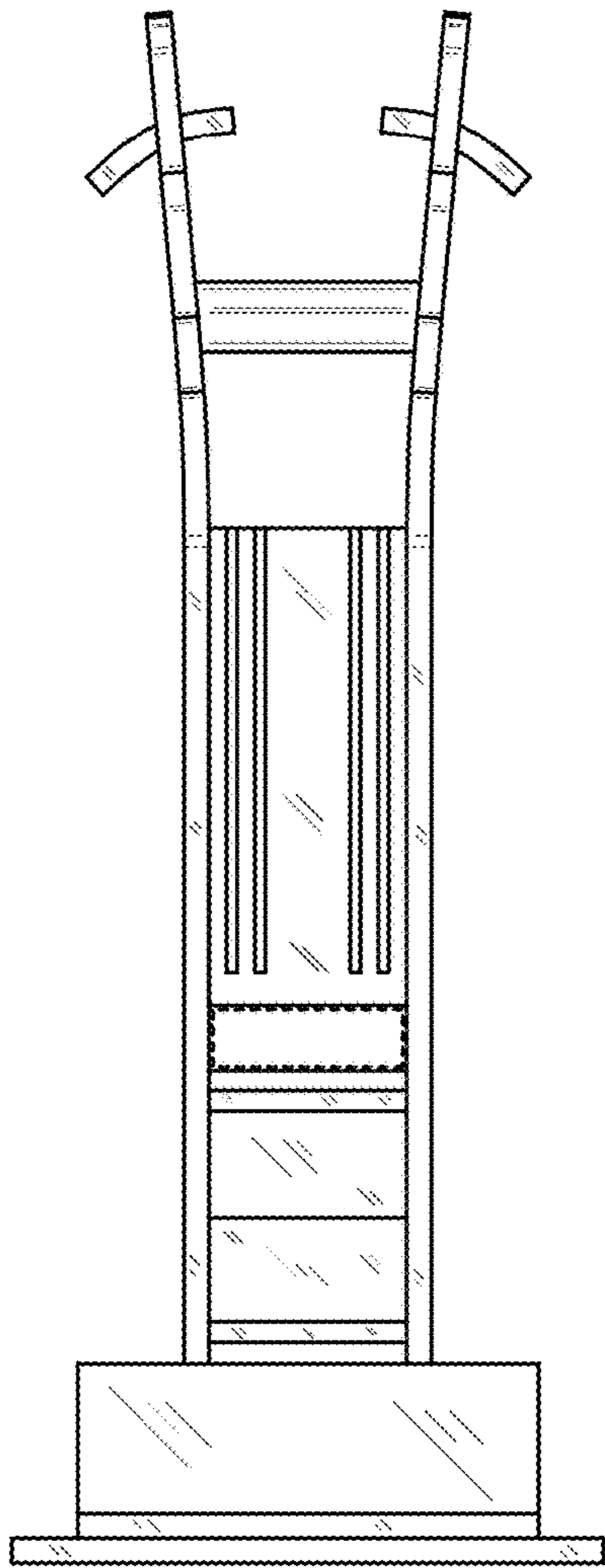


FIG. 4

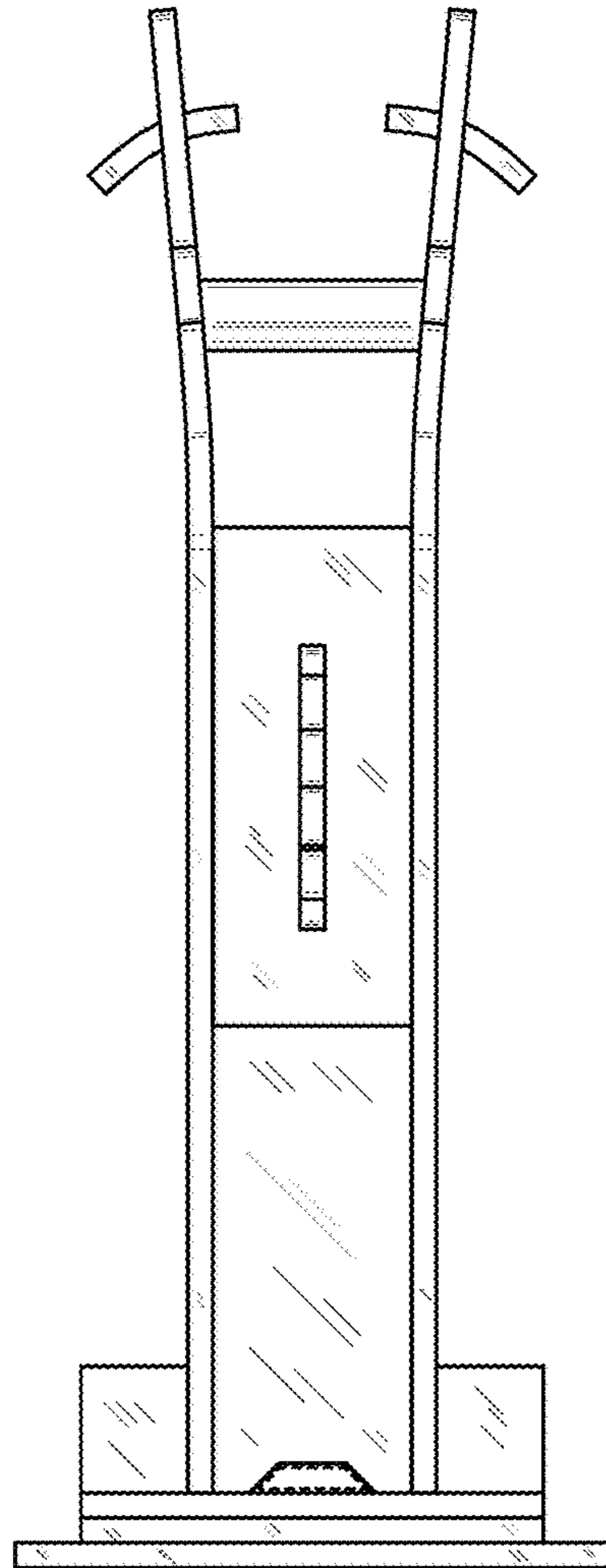


FIG. 5

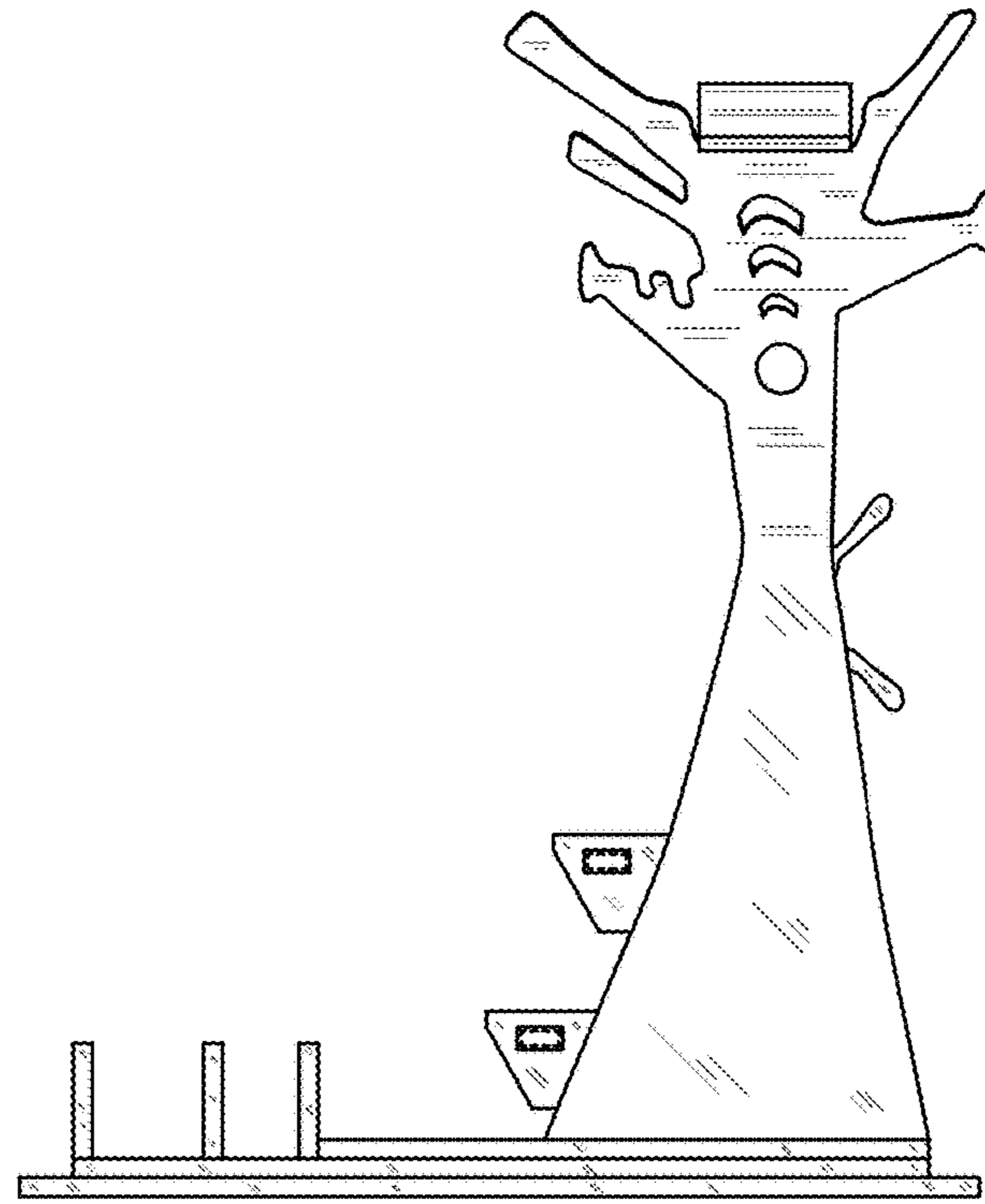


FIG. 6

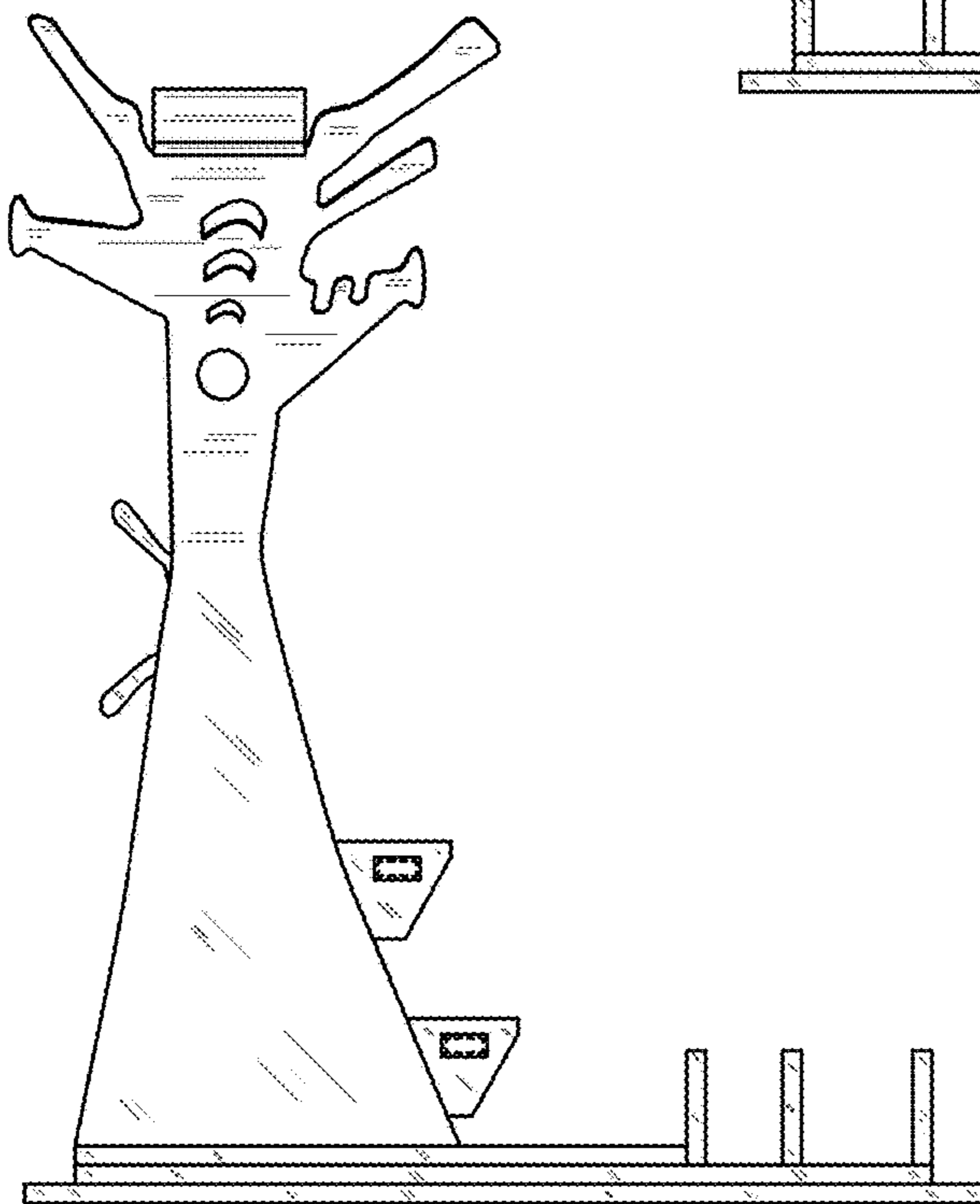


FIG. 7