



US00D813848S

(12) **United States Design Patent**
Palmborg

(10) **Patent No.:** **US D813,848 S**

(45) **Date of Patent:** **** Mar. 27, 2018**

(54) **EAR PIECE**

Primary Examiner — Paula Allen Greene

(71) Applicant: **Dolby Laboratories Licensing Corporation**, San Francisco, CA (US)

(57) **CLAIM**

(72) Inventor: **Nils Jacob Palmborg**, Emeryville, CA (US)

I claim the ornamental design for an ear piece, as shown and described.

(73) Assignee: **Dolby Laboratories Licensing Corporation**, San Francisco, CA (US)

DESCRIPTION

(**) Term: **15 Years**

The patent or application file contains at least one drawing executed in color. Copies of this patent or patent application publication with color drawing(s) will be provided by the Office upon request and payment of the necessary fee.

(21) Appl. No.: **29/569,419**

(22) Filed: **Jun. 27, 2016**

(51) **LOC (11) Cl.** **14-01**

(52) **U.S. Cl.**
USPC **D14/223**

(58) **Field of Classification Search**

USPC D14/223, 205, 188, 192; 181/129, 130, 181/135; 379/430, 431; 381/380, 381, 381/388, 333, 301, 182, 188, 74; 455/90.3, 575.1, 569.1; D24/174, 175
CPC . H04R 1/02; H04R 5/00; H04R 25/00; H04R 1/10; H04R 1/1016; H04R 1/1066
See application file for complete search history.

FIG. 1 is a front, top and left side perspective view of a first embodiment of a right ear piece in a first color scheme.

FIG. 2 is a rear, bottom and right side perspective view thereof.

FIG. 3 is a front elevation view thereof.

FIG. 4 is a rear elevation view thereof.

FIG. 5 is a left side elevation view thereof.

FIG. 6 is a right side elevation view thereof.

FIG. 7 is a top plan view thereof.

FIG. 8 is a bottom plan view thereof.

FIG. 9 is a front, top and left side perspective view of a second embodiment showing a left ear piece in the first color scheme.

FIG. 10 is a rear, bottom and right side perspective view thereof.

FIG. 11 is a front, top and left side perspective view of a third embodiment of a left ear piece in an alternate color scheme.

FIG. 12 is a rear, bottom and right side perspective view thereof.

FIG. 13 is a front, top and left side perspective view of a fourth embodiment of a right ear piece in an alternate color scheme; and,

FIG. 14 is a rear, bottom and right side perspective view thereof.

(56) **References Cited**

U.S. PATENT DOCUMENTS

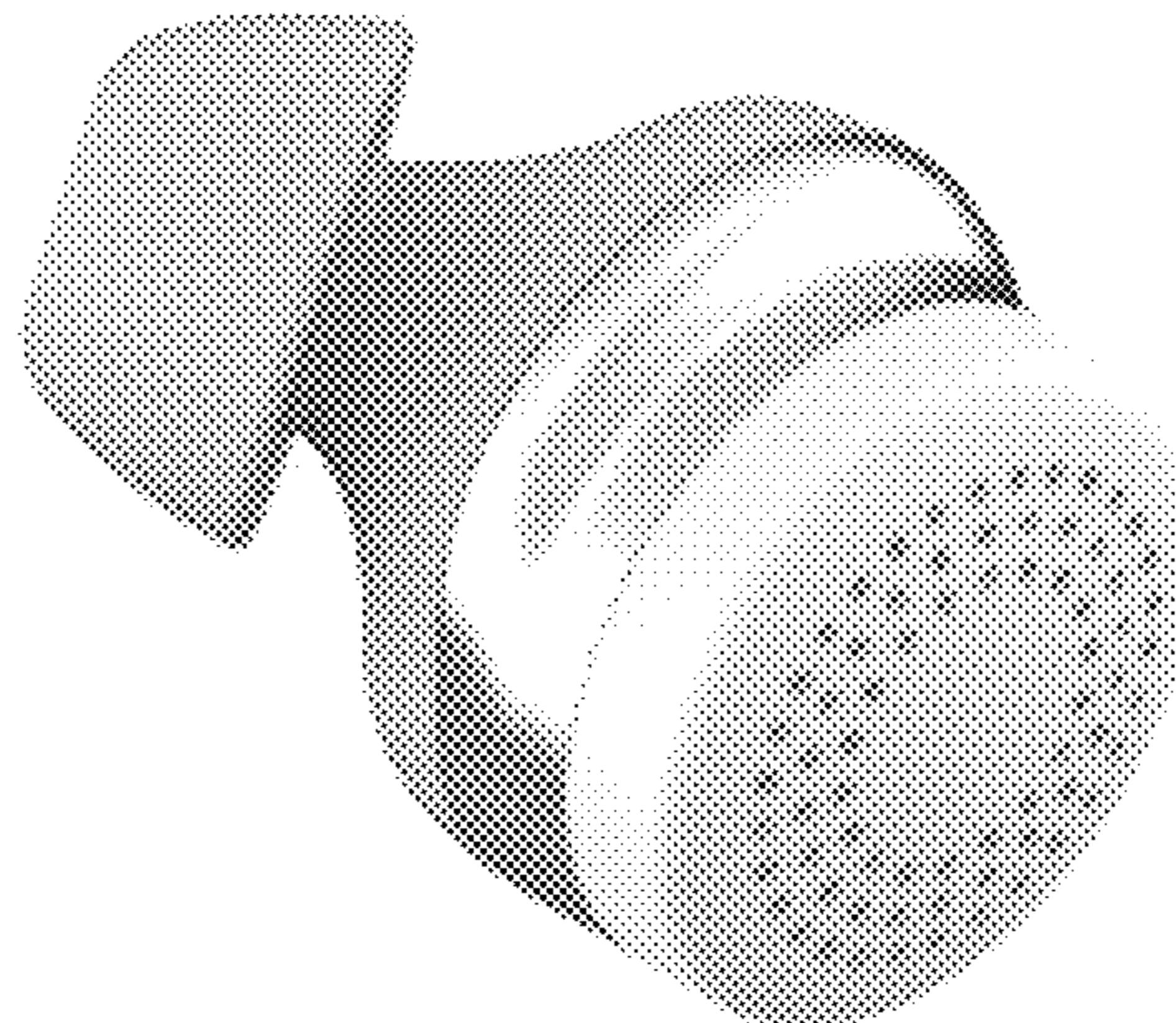
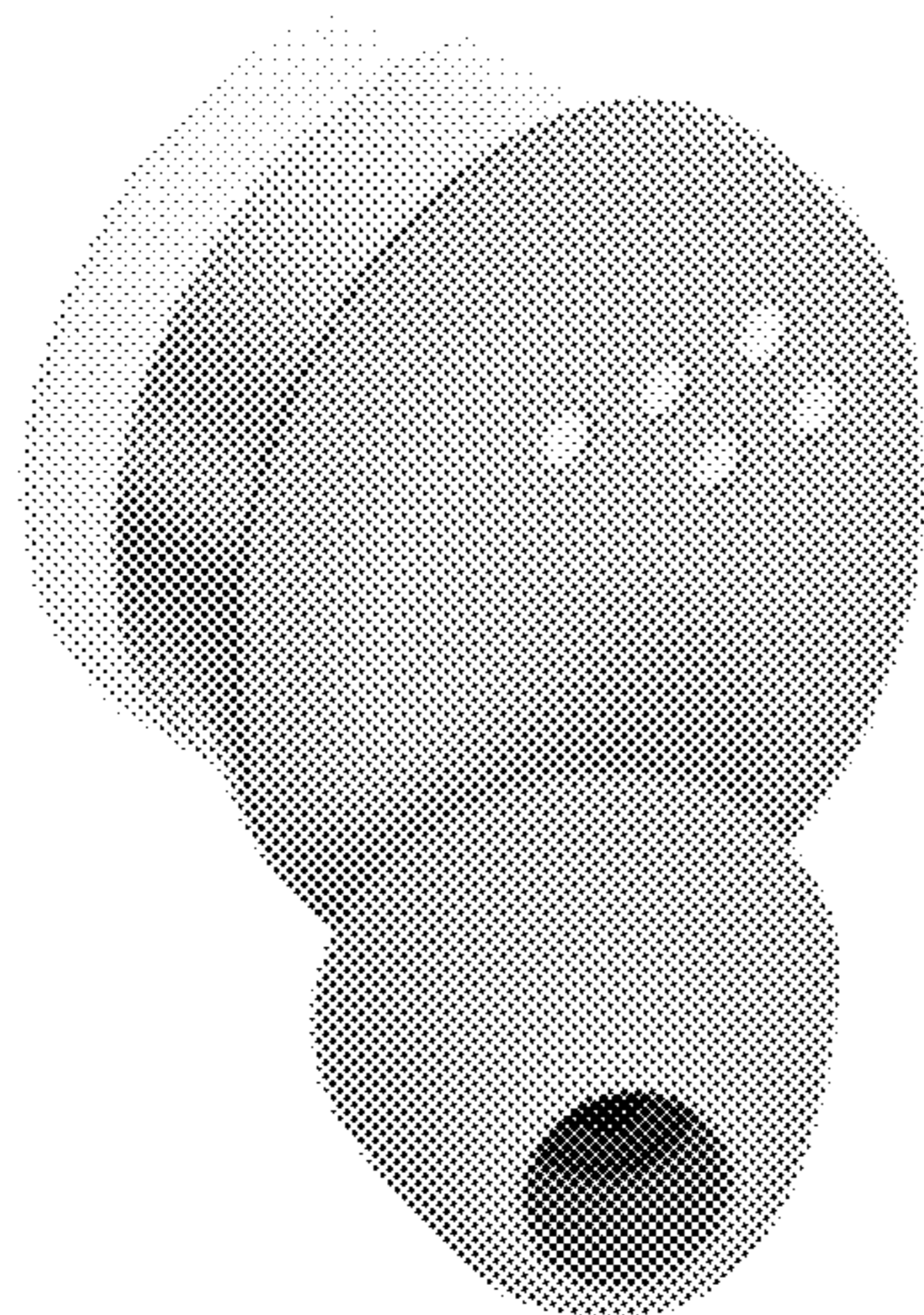
1,312,493 A * 8/1919 Theis A61F 11/14
128/866
1,624,144 A * 4/1927 Mathieu H04R 1/1016
181/129
1,668,890 A * 5/1928 Curran H04R 1/1016
181/130

(Continued)

OTHER PUBLICATIONS

Pantone Metallic Matching Chart <http://ontimepromotionalproducts.com.au/wp-content/uploads/2012/10PMS-Color-Chart> Oct. 16, 2017.*

1 Claim, 14 Drawing Sheets
(14 of 14 Drawing Sheet(s) Filed in Color)



(56)

References Cited

U.S. PATENT DOCUMENTS

1,668,910 A * 5/1928 Jones H04R 1/1016
181/130
2,377,739 A * 6/1945 Wyckoff A61F 11/008
181/132
2,595,672 A * 5/1952 Greenwood H04R 25/65
24/113 MP
2,754,365 A * 7/1956 Walters H04R 1/225
181/132
2,805,332 A * 9/1957 Bell H04B 1/088
329/370
2,910,679 A * 10/1959 Baldwin G08B 21/06
200/61.47
2,971,065 A * 2/1961 Busse H04R 25/456
381/104
3,234,467 A * 2/1966 Haveson H01Q 1/24
334/76
3,324,253 A * 6/1967 Uemura H04R 11/06
381/189
3,440,365 A * 4/1969 Hazell H04M 1/05
379/430
3,457,375 A * 7/1969 Haggerty H04R 25/456
381/322
D215,675 S * 10/1969 Yran D13/114
3,730,181 A * 5/1973 Fling A61F 11/08
128/868
3,821,647 A * 6/1974 Minasian H04B 1/06
381/380
D236,988 S * 9/1975 Walters D14/223
4,069,400 A * 1/1978 Johanson H04R 25/60
381/322
4,457,396 A * 7/1984 James H04R 1/1058
181/129
4,539,708 A * 9/1985 Norris H04B 1/088
455/100
4,585,089 A * 4/1986 Topholm H04R 25/65
181/130
D287,764 S * 1/1987 Topholm D24/174
D287,765 S * 1/1987 Topholm D24/174
D295,173 S * 4/1988 Oren D14/168

5,054,079 A * 10/1991 Frielingsdorf H04R 1/46
379/430
D321,881 S * 11/1991 Hopewell D14/192
D348,066 S * 6/1994 Lucey D14/205
D417,465 S * 12/1999 Kreitz D14/192
6,122,388 A * 9/2000 Feldman H04R 25/604
381/322
D477,593 S * 7/2003 Komiyama D14/223
D477,822 S * 7/2003 Komiyama D14/223
D481,709 S * 11/2003 Solderits D14/223
D505,411 S * 5/2005 Sakai D14/192
D519,108 S * 4/2006 Yang D14/223
7,120,267 B2 * 10/2006 Ito H04M 1/05
381/370
D588,111 S * 3/2009 Komiyama D14/223
D603,380 S * 11/2009 Hutchieson D14/223
D637,997 S * 5/2011 Peller D14/205
D637,999 S * 5/2011 Brunner D14/205
D652,817 S * 1/2012 Lee D14/205
D652,822 S * 1/2012 Lee D14/223
D654,056 S * 2/2012 Hoggarth D14/205
D666,581 S * 9/2012 Perez D14/223
8,275,166 B2 * 9/2012 Wu H04R 25/00
381/328
D699,226 S * 2/2014 Yoon D14/206
8,776,801 B2 * 7/2014 McIntosh A61F 11/08
128/864
D725,082 S * 3/2015 Palmborg D14/223
8,983,108 B2 * 3/2015 Ho H04R 1/1058
181/135
D733,102 S * 6/2015 Palmborg D14/223
9,087,506 B1 * 7/2015 Kraft G10L 21/0232
9,131,308 B2 * 9/2015 Kraft G10L 21/0232
D773,032 S * 11/2016 Palmborg D24/106
D777,710 S * 1/2017 Palmborg D14/223
9,565,491 B2 * 2/2017 Baker H04R 1/1083
D781,269 S * 3/2017 Choe D14/223
D782,997 S * 4/2017 Shin D14/205
D782,998 S * 4/2017 Shin D14/205
2007/0263896 A1 * 11/2007 Chen H04R 1/105
381/381

* cited by examiner

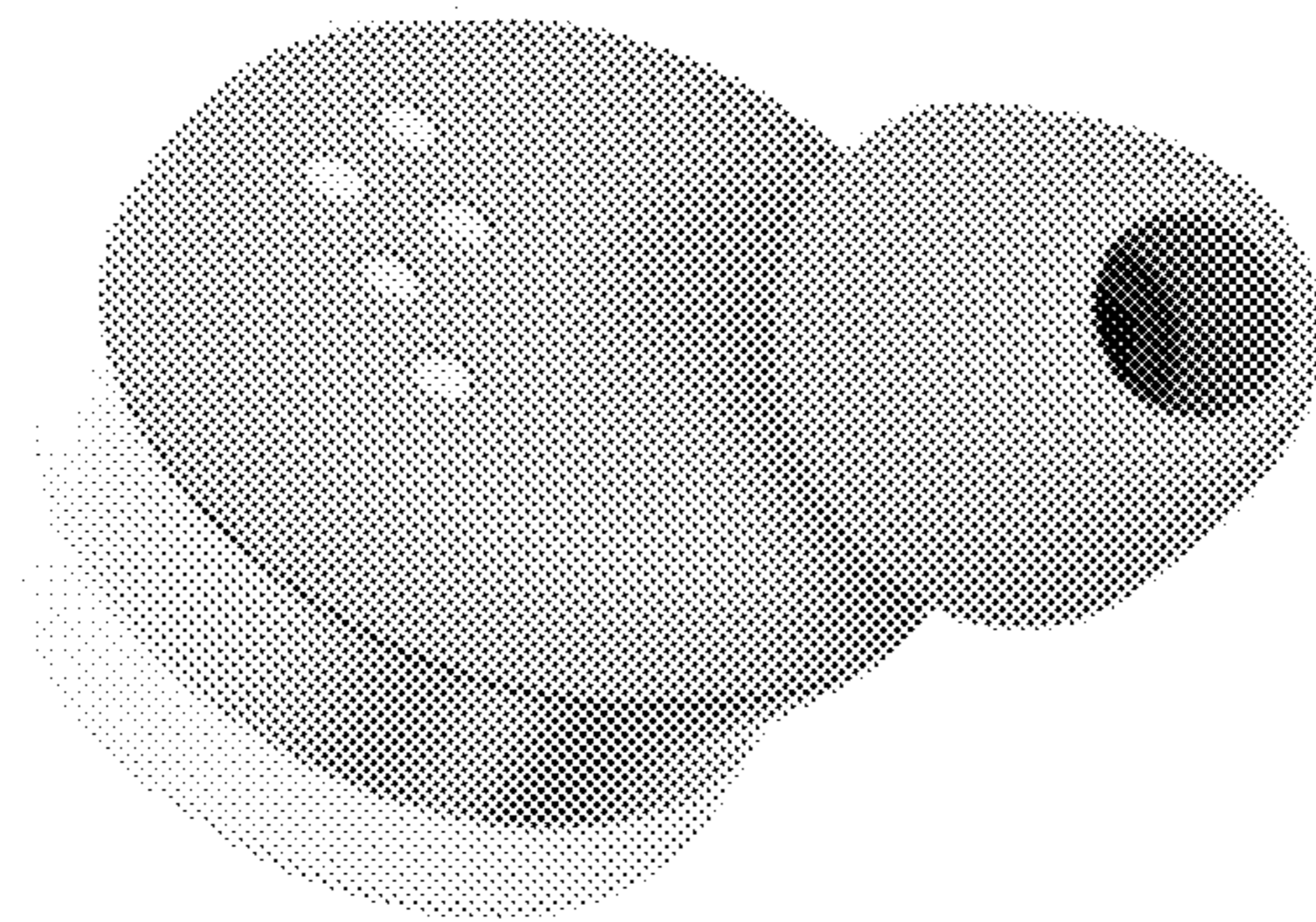


FIG. 1

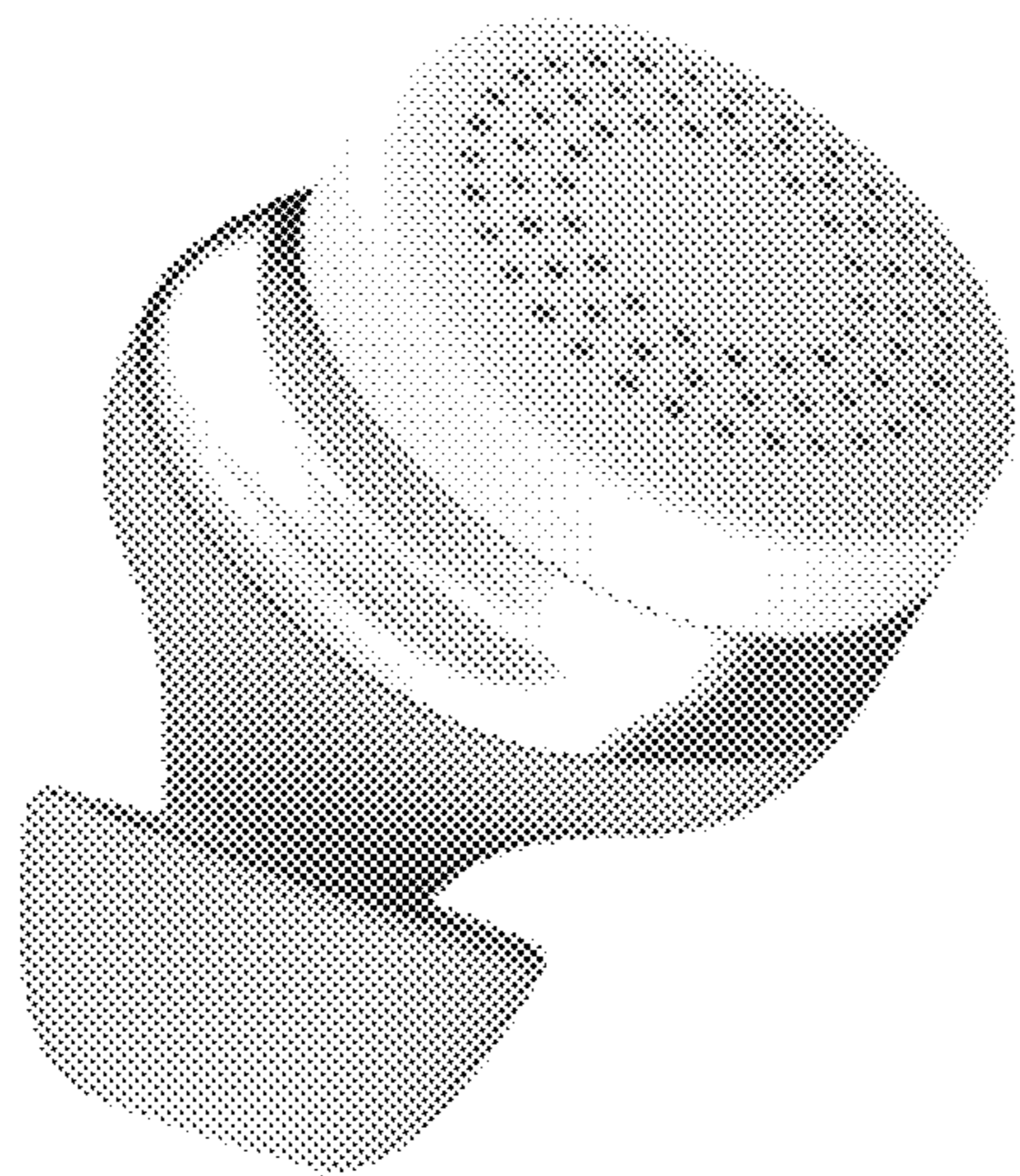


FIG. 2

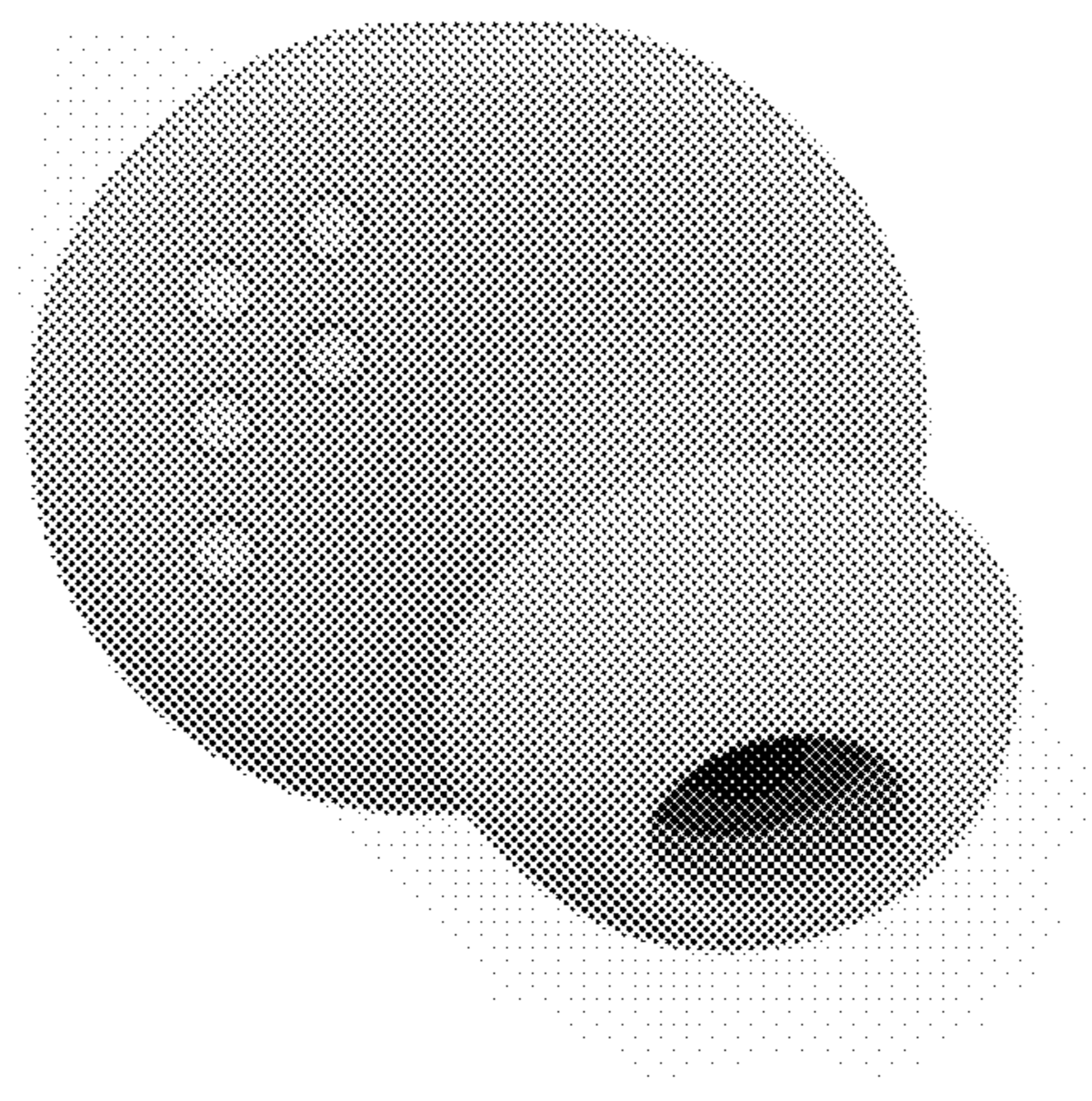


FIG. 3

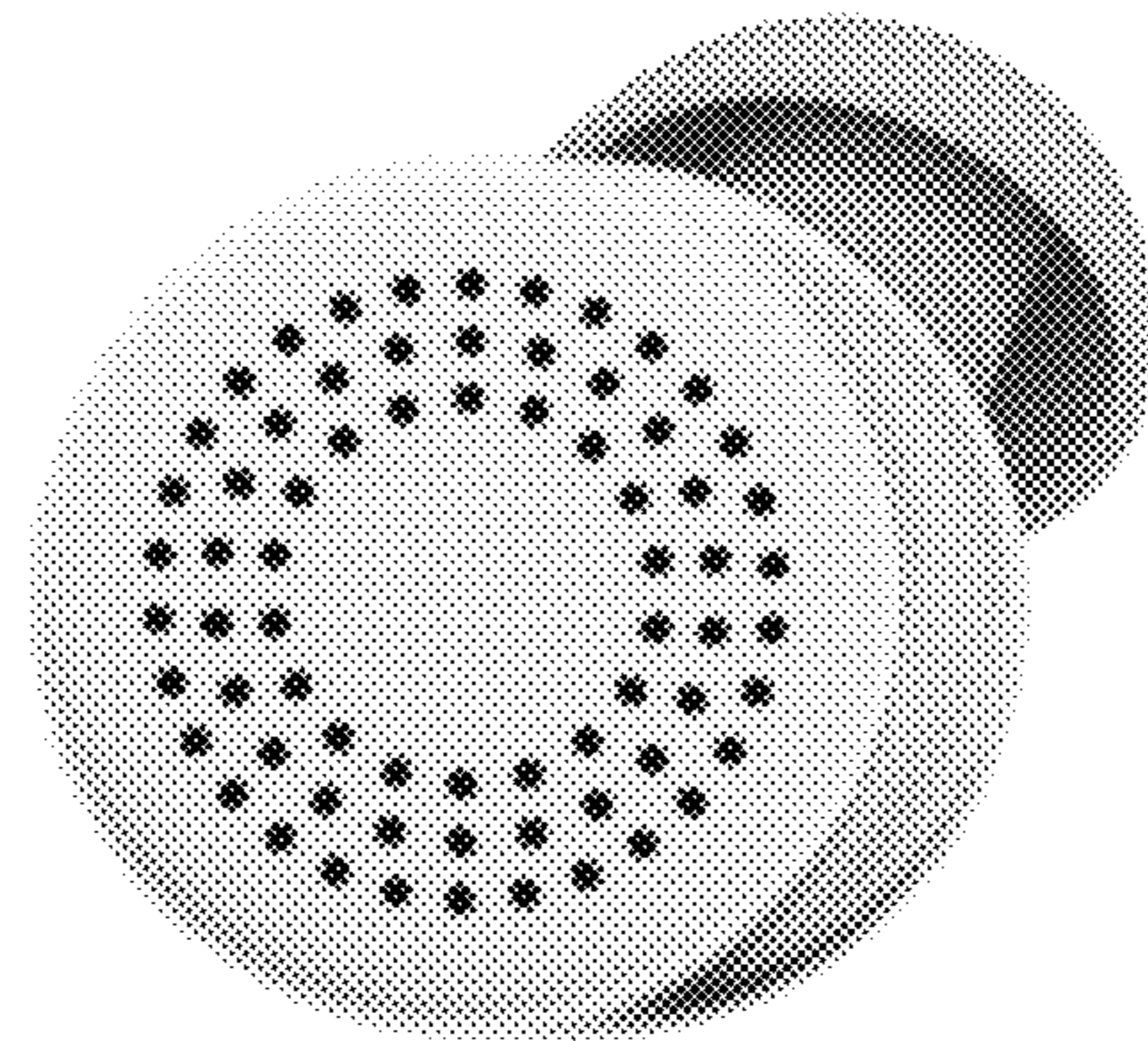


FIG. 4

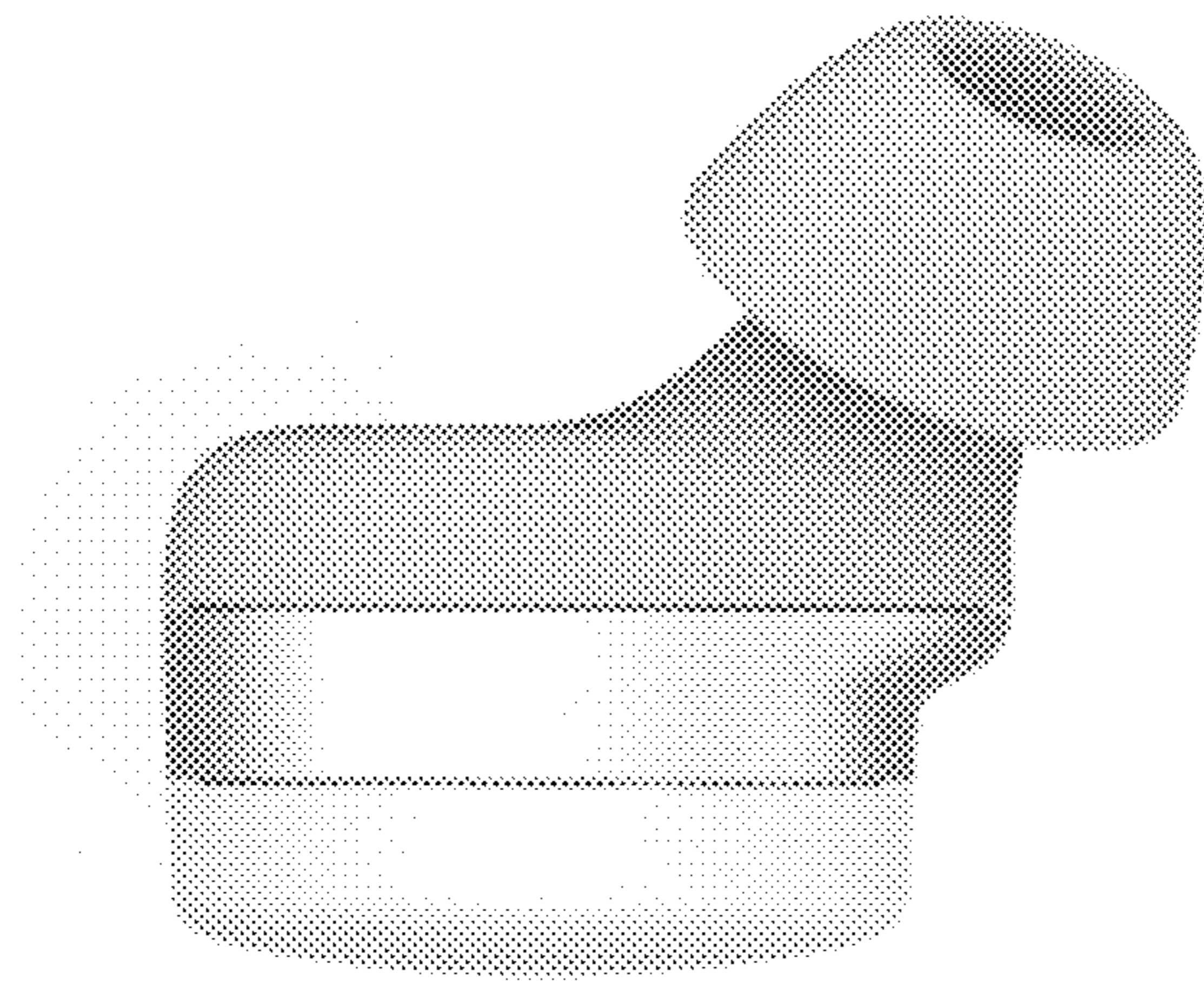


FIG. 5

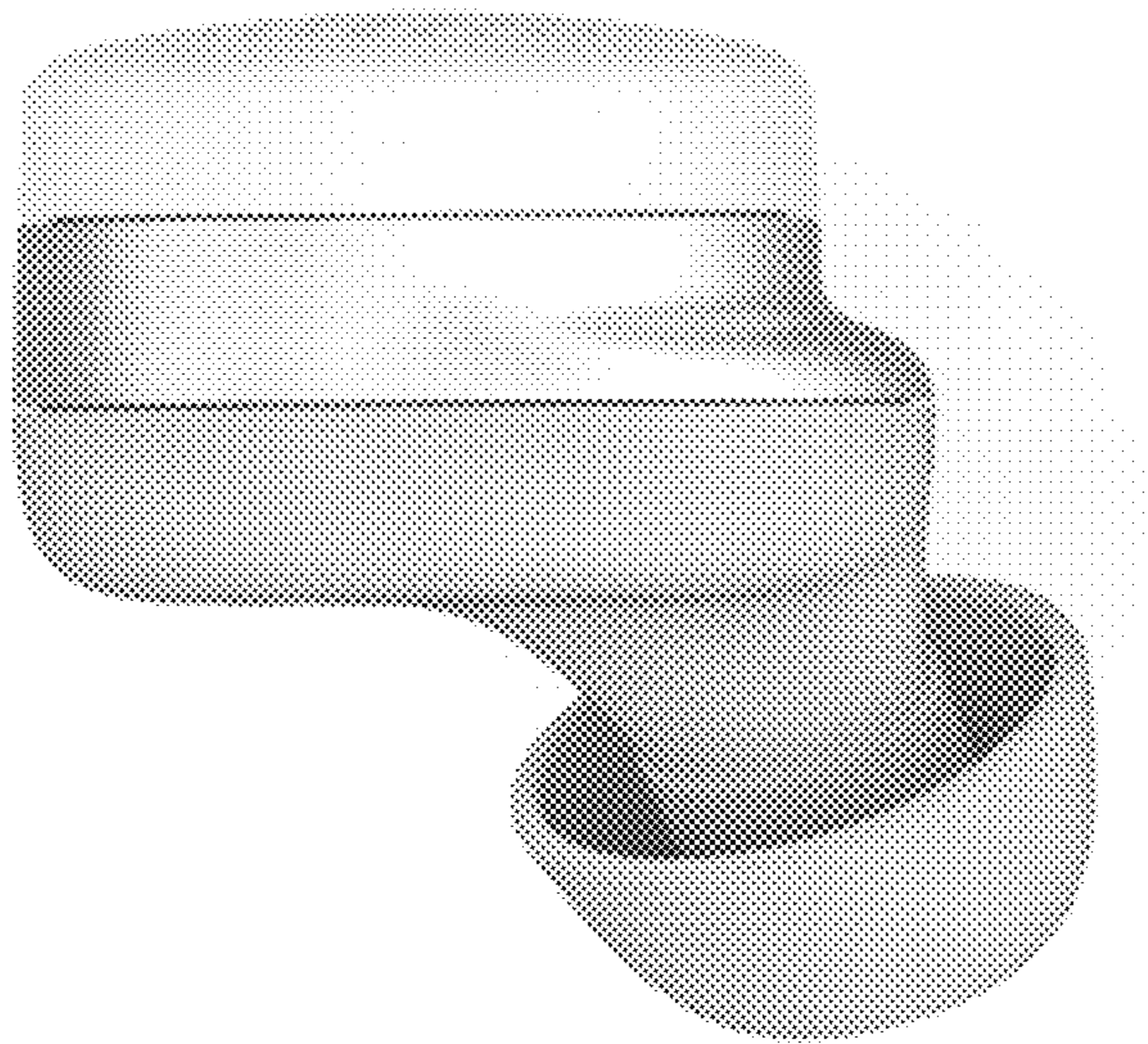


FIG. 6

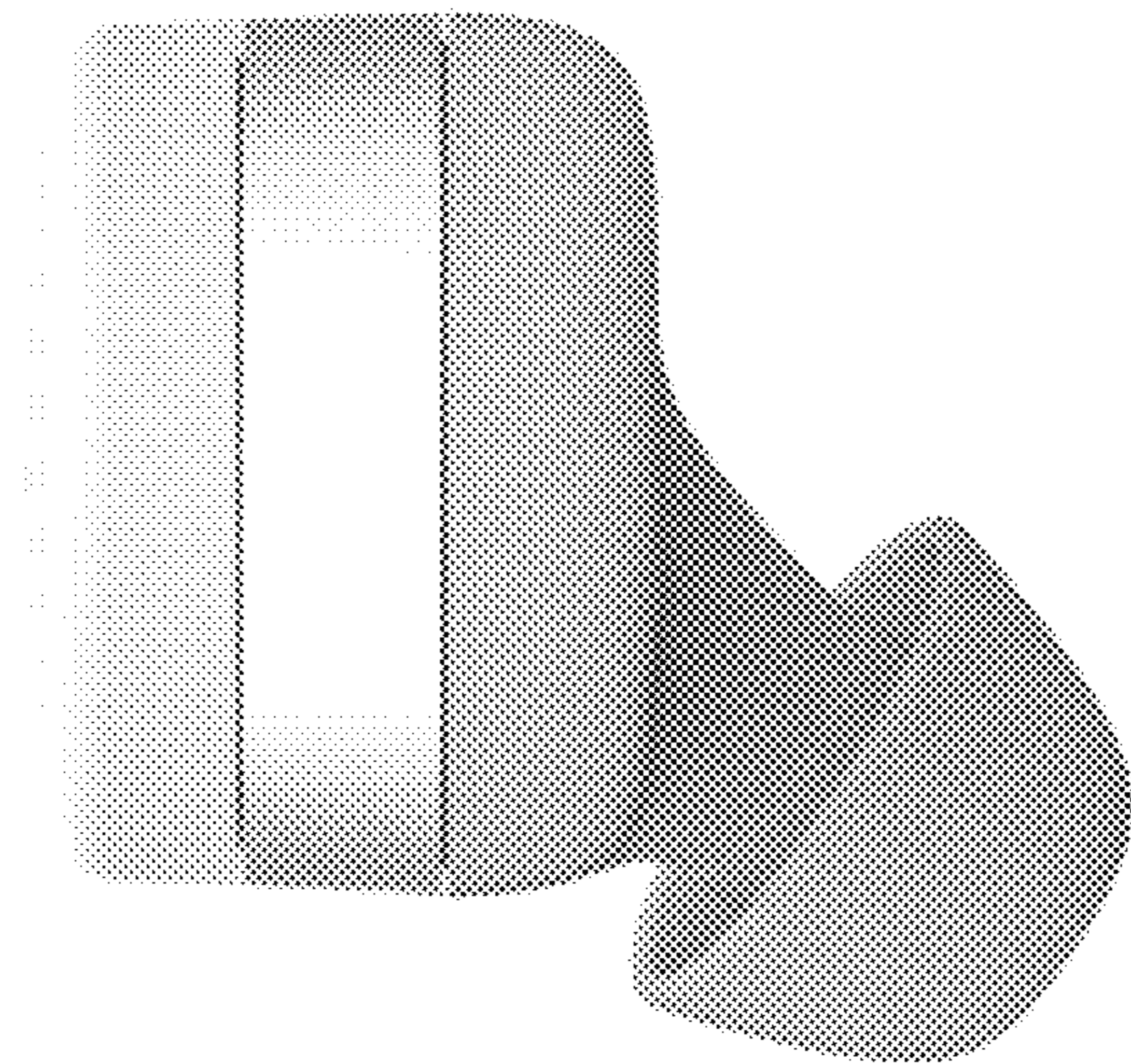


FIG. 7

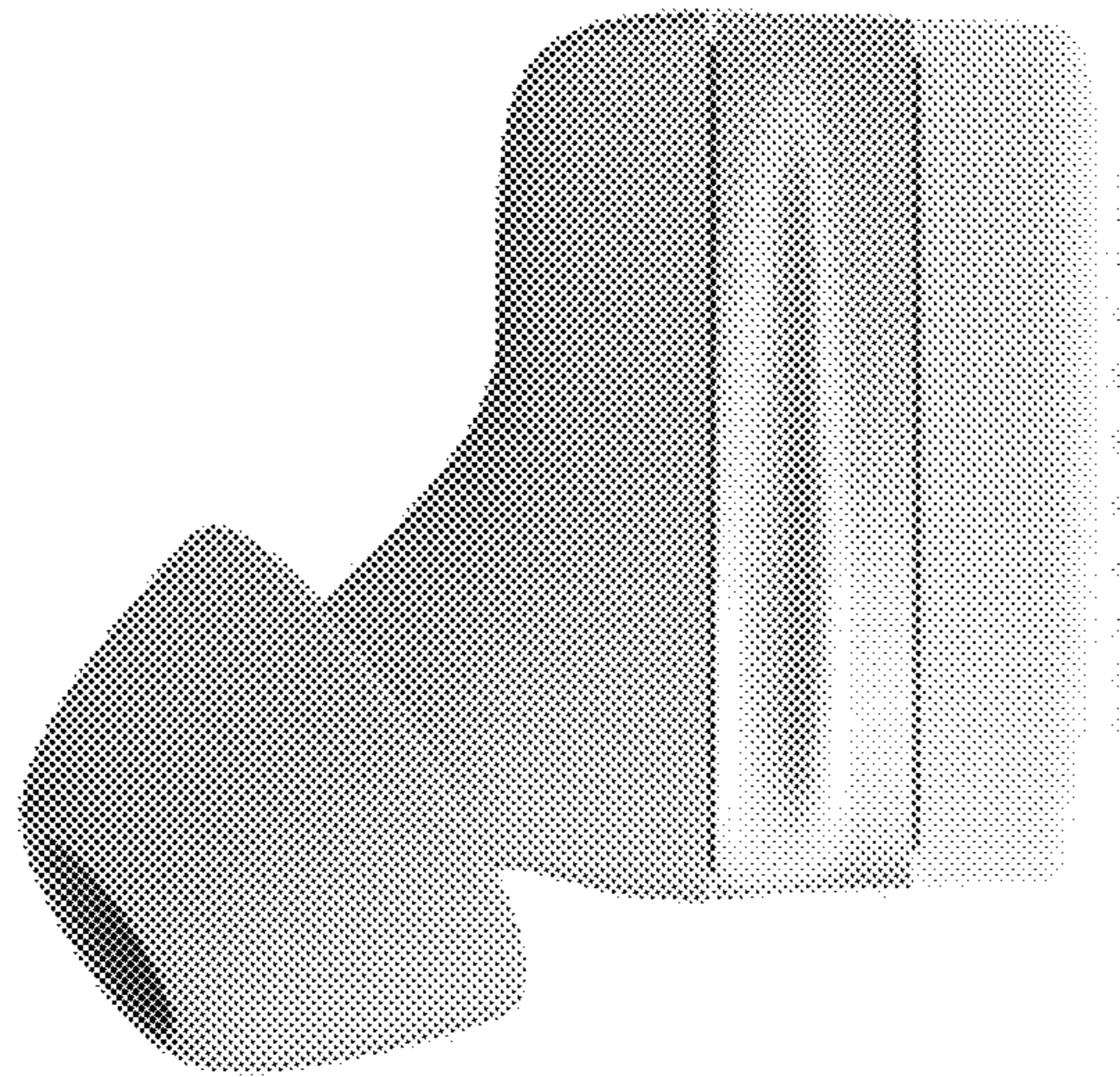


FIG. 8

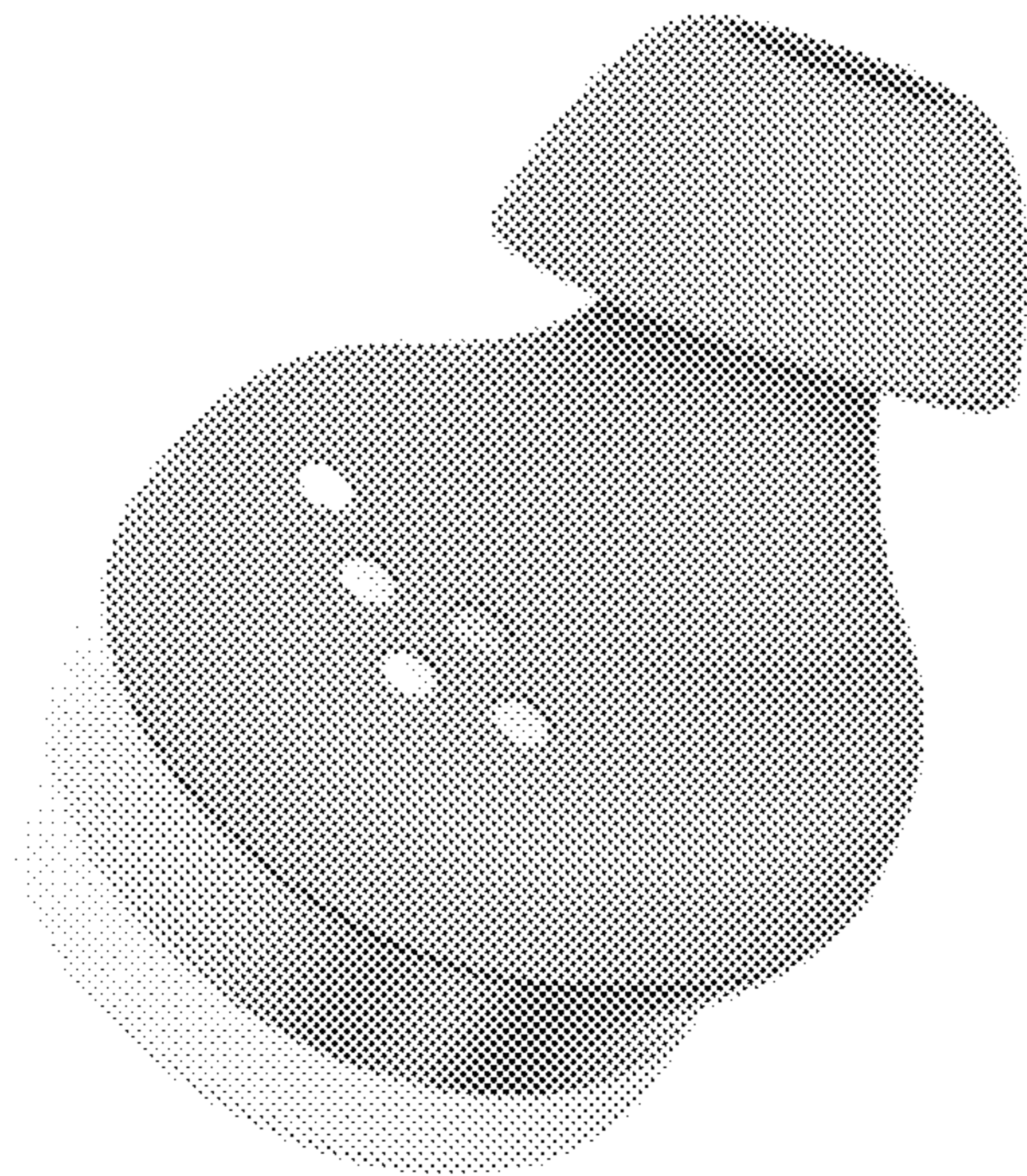


FIG. 9

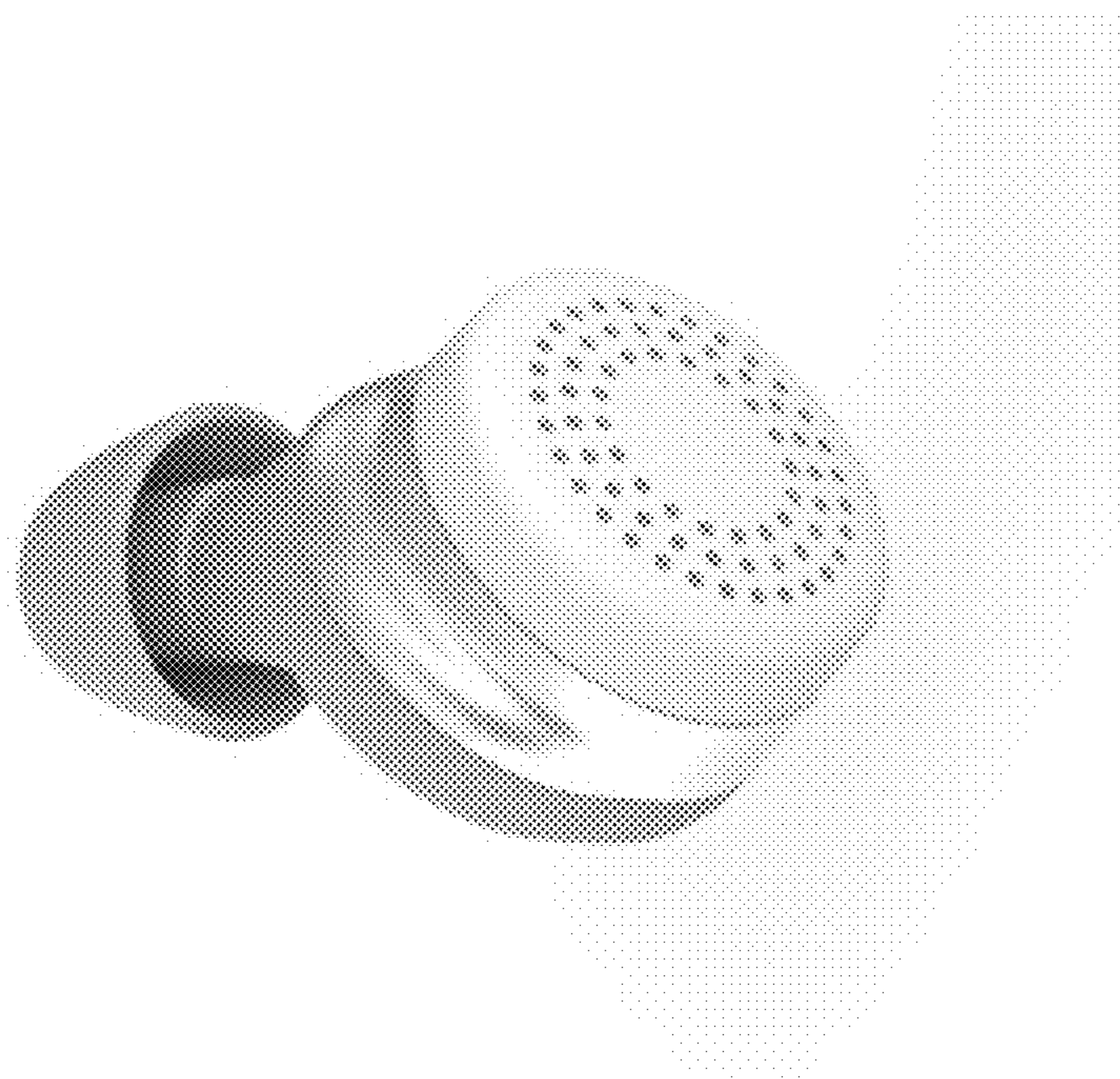


FIG. 10

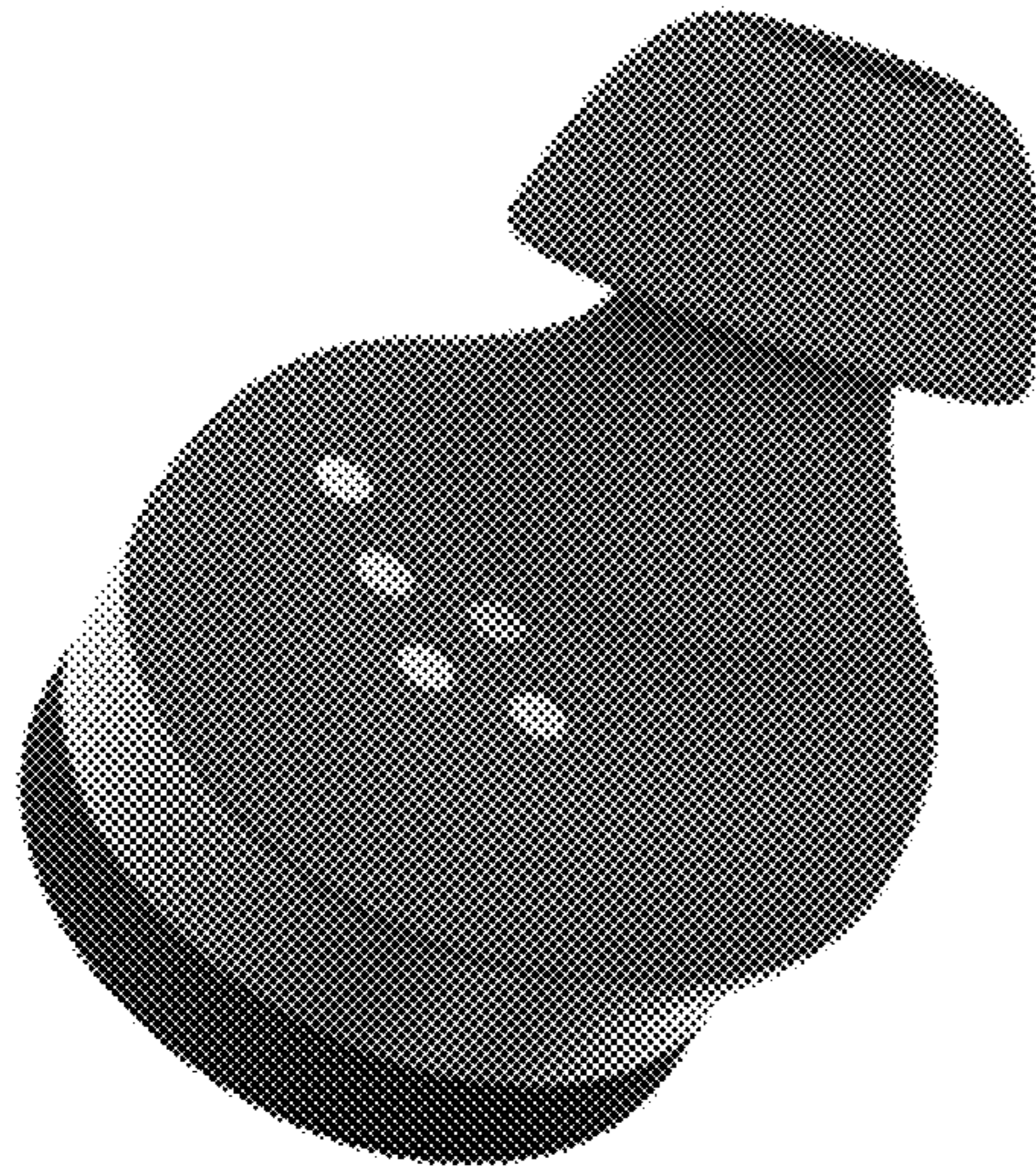


FIG. 11

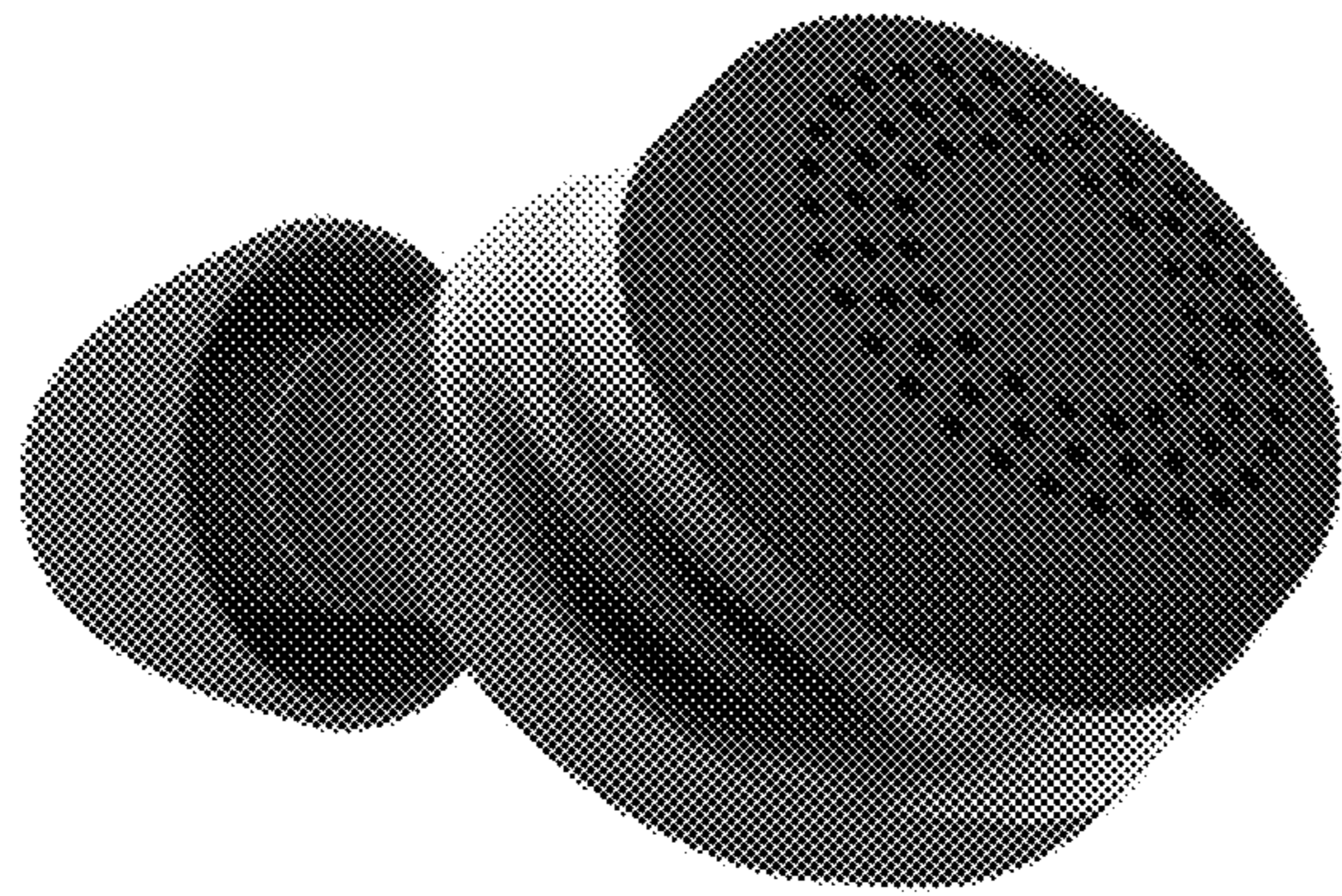


FIG. 12

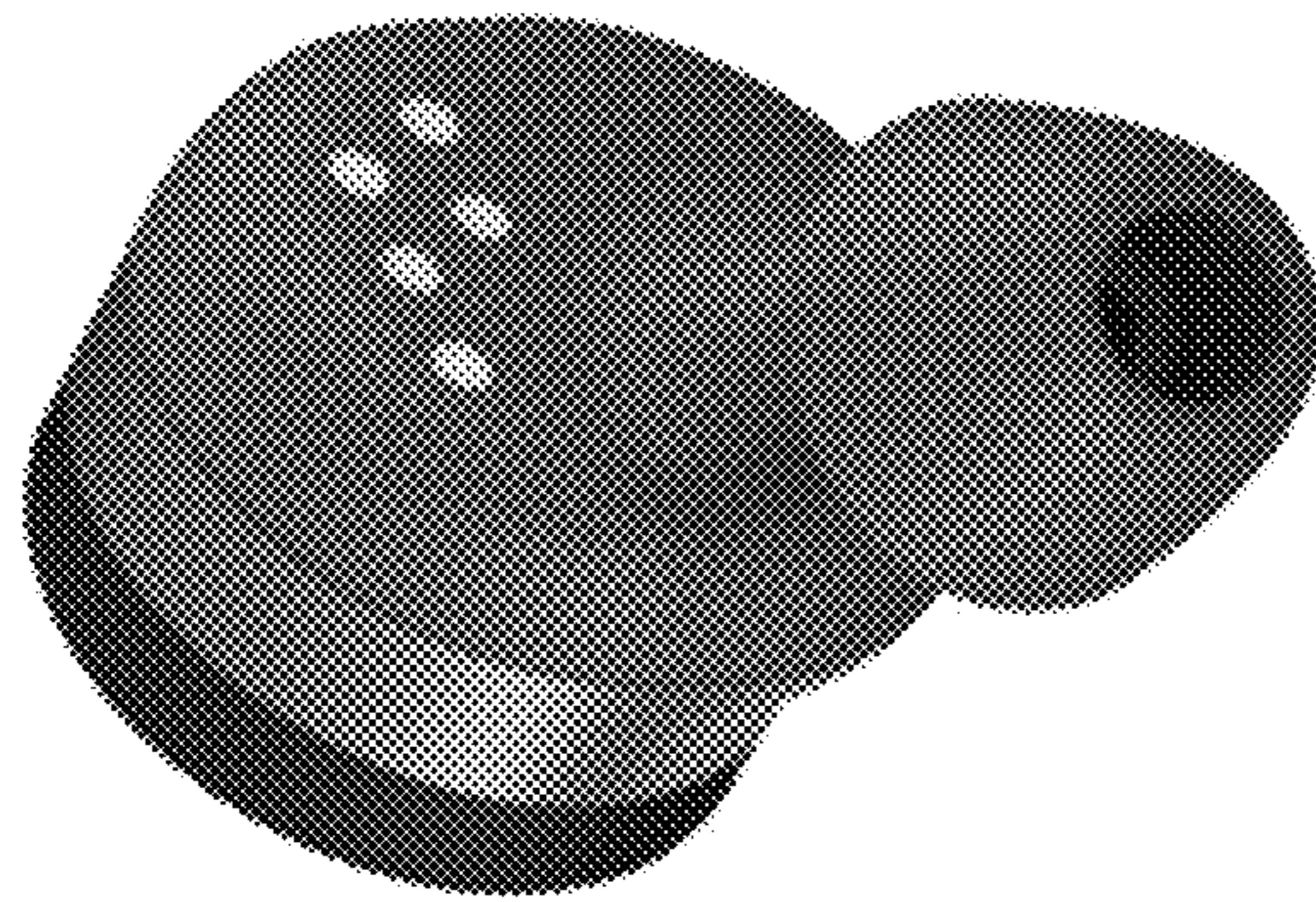


FIG. 13

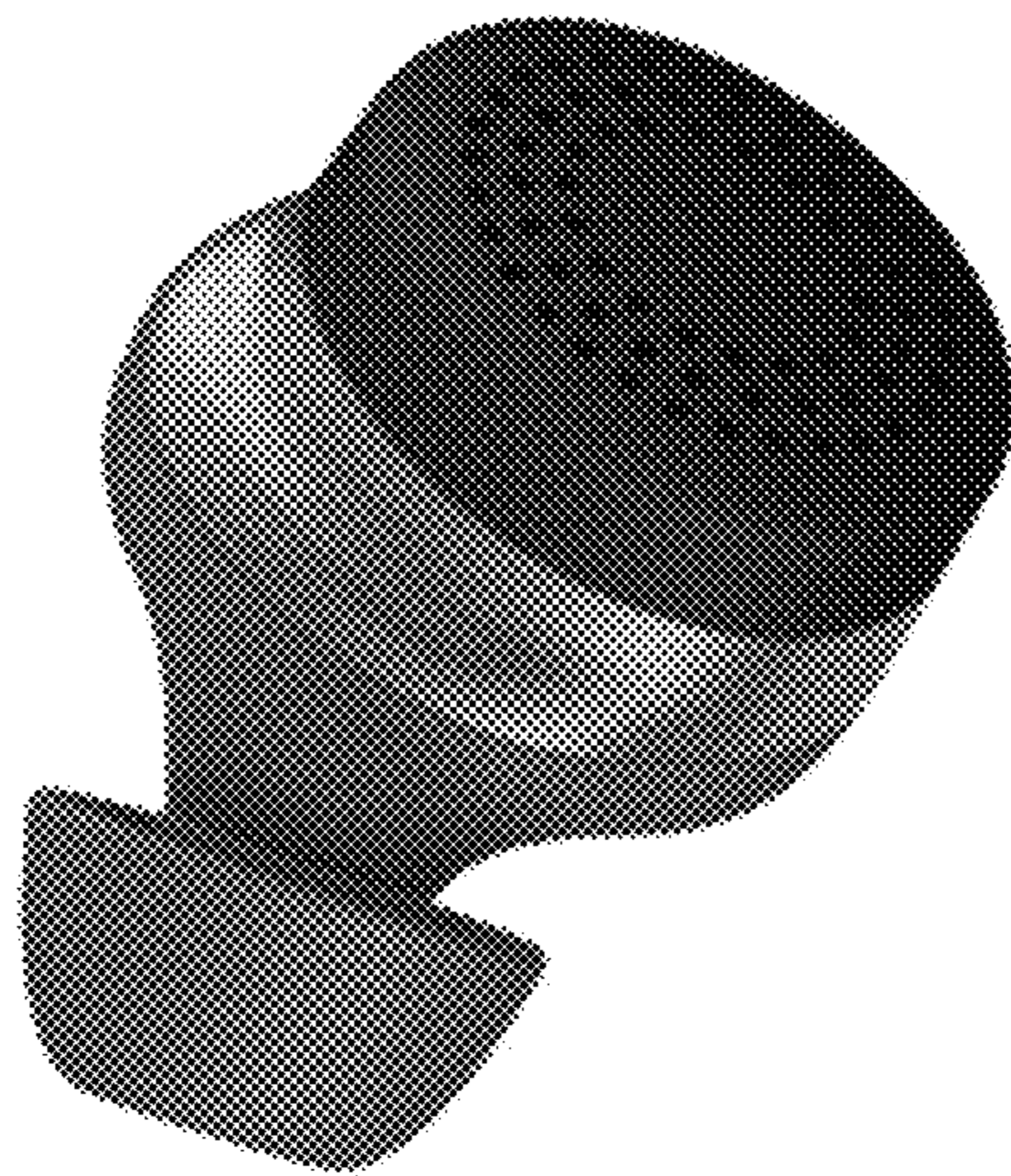


FIG. 14