



US00D813847S

(12) **United States Design Patent**  
**Ozawa et al.**

(10) **Patent No.:** **US D813,847 S**  
(45) **Date of Patent:** **\*\* Mar. 27, 2018**

(54) **EARPHONE**

(71) Applicant: **Kabushiki Kaisha Audio-Technica,**  
Tokyo (JP)

(72) Inventors: **Hikomichi Ozawa,** Tokyo (JP); **Shohei Araki,** Kanagawa (JP)

(73) Assignee: **KABUSHIKI KAISHA**  
**AUDIO-TECHNICA,** Tokyo (JP)

(\*\*) Term: **15 Years**

(21) Appl. No.: **29/565,324**

(22) Filed: **May 19, 2016**

(30) **Foreign Application Priority Data**

Nov. 20, 2015 (JP) ..... 2015-026017

(51) **LOC (11) Cl.** ..... **14-01**

(52) **U.S. Cl.**  
USPC ..... **D14/223; D14/205**

(58) **Field of Classification Search**  
USPC ..... D14/205, 223, 188, 192, 240, 221, 155;  
D13/107, 135, 144; D24/174; 379/430,  
379/431; 381/380, 381, 72, 183;  
600/473; 455/569.1, 569.2, 345, 456.1  
CPC ..... H04R 1/10; H04R 1/1016; H04R 1/1033;  
H04R 25/00; H04R 1/1066; H04R  
1/1041; H04R 1/02

See application file for complete search history.

(56) **References Cited**

**U.S. PATENT DOCUMENTS**

D213,109 S \* 1/1969 Young ..... D24/174  
3,798,389 A \* 3/1974 Tokizaki ..... H04M 1/15  
381/370  
4,375,016 A \* 2/1983 Harada ..... H04R 25/656  
181/135

D328,451 S \* 8/1992 Bosch ..... D13/133  
5,339,461 A \* 8/1994 Luplow ..... H04B 1/086  
242/385  
5,422,957 A \* 6/1995 Cummins ..... B65H 75/4431  
381/384  
5,655,026 A \* 8/1997 Peters ..... H04R 1/1066  
381/370  
5,684,883 A \* 11/1997 Chen ..... H02G 11/02  
381/370  
D398,287 S \* 9/1998 Luminosu ..... D13/107  
5,832,098 A \* 11/1998 Chen ..... H04M 1/05  
381/370  
D404,037 S \* 1/1999 Gomez ..... D13/108  
D427,994 S \* 7/2000 Pirelli ..... D14/223  
6,198,821 B1 \* 3/2001 Yang ..... H01R 13/70  
379/420.04  
D445,415 S \* 7/2001 Jaakkola ..... D14/223  
D480,050 S \* 9/2003 Darrow ..... D13/133

(Continued)

*Primary Examiner* — Paula Allen Greene

(74) *Attorney, Agent, or Firm* — Whitham, Curtis & Cook, P.C.

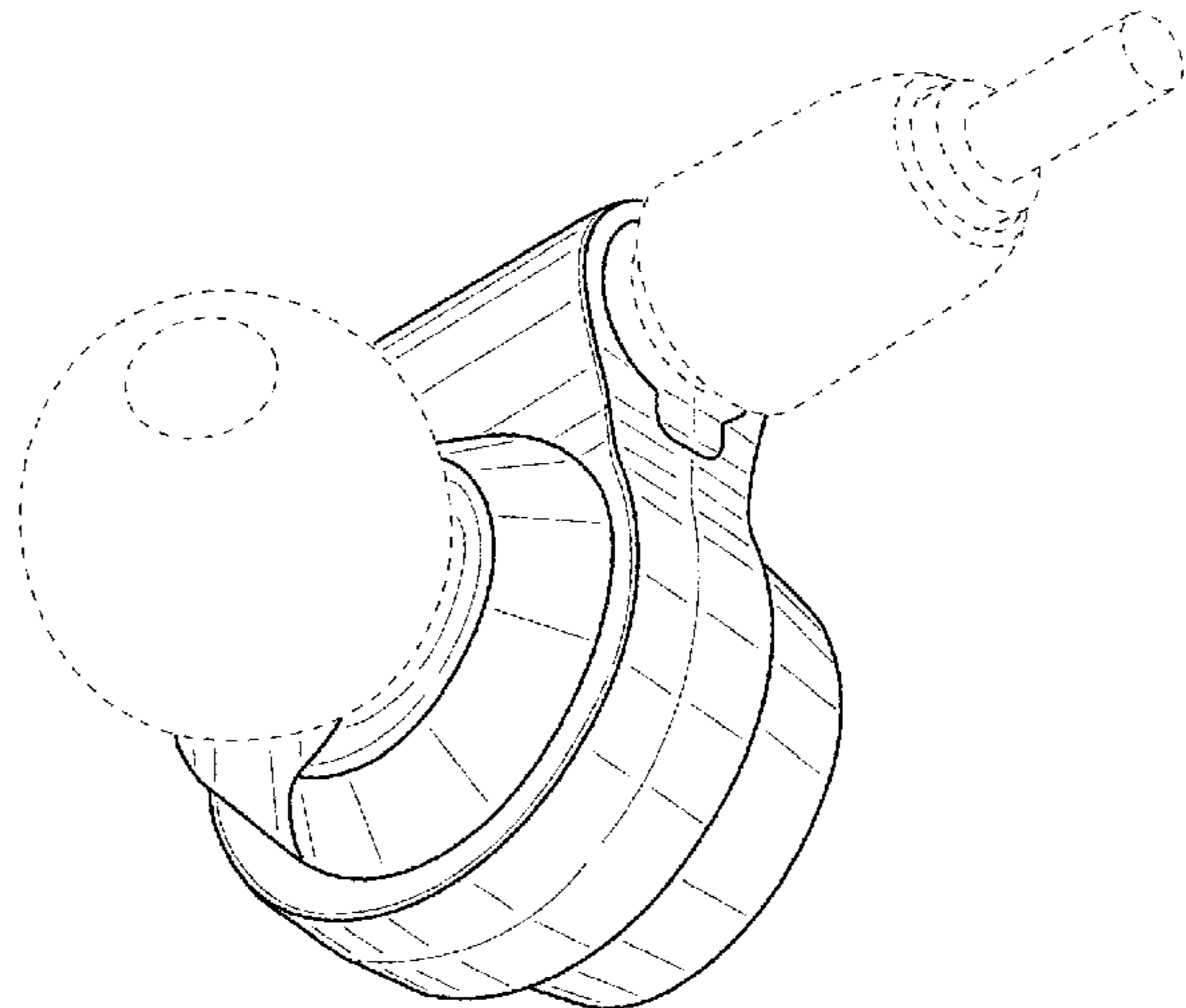
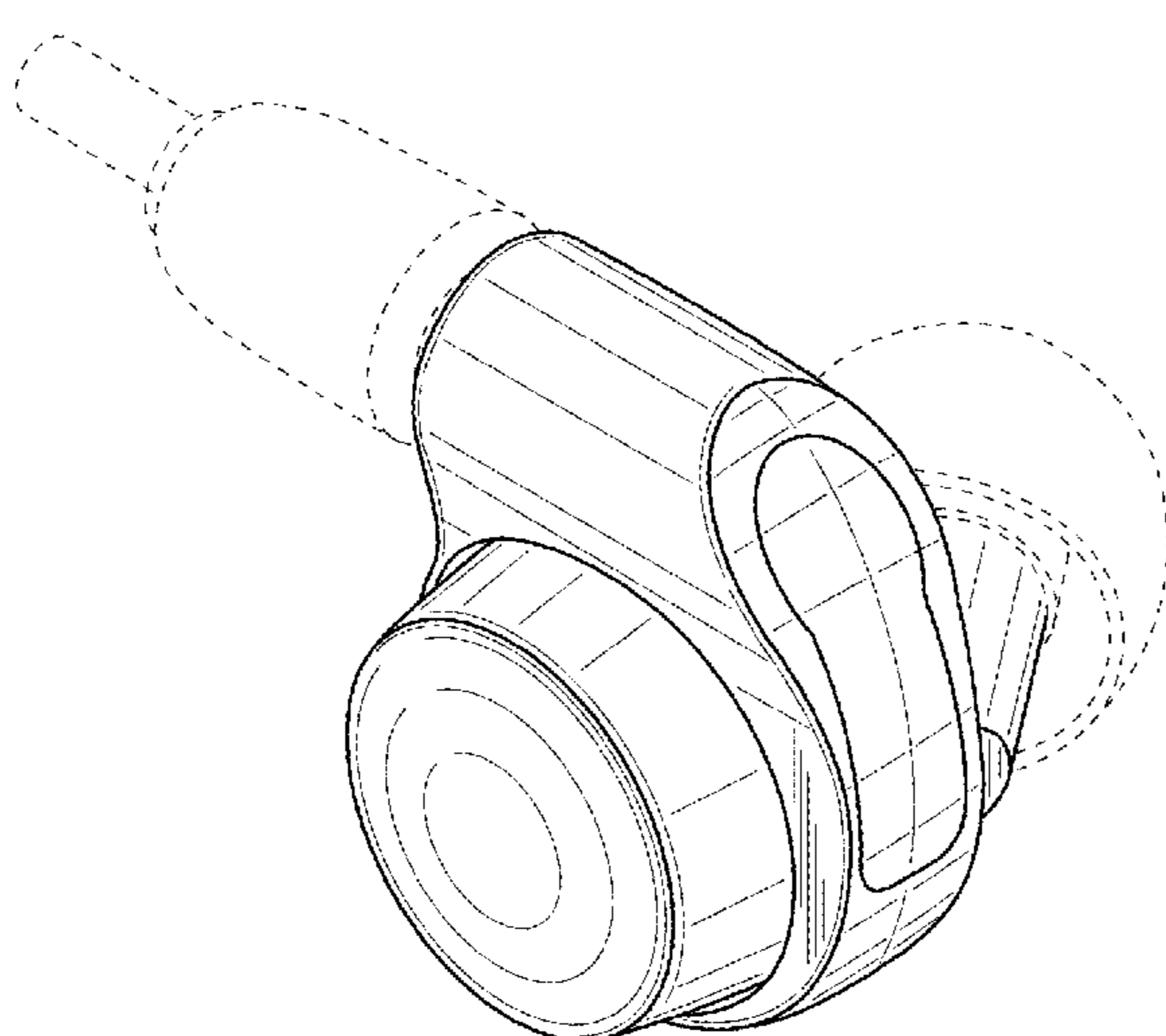
(57) **CLAIM**

What is claimed is the ornamental design for an earphone, as shown and described.

**DESCRIPTION**

FIG. 1 is a front, right side perspective view of an earphone; FIG. 2 is a rear, left side perspective view of the earphone; FIG. 3 is a front elevational view of the earphone; FIG. 4 is a rear elevational view of the earphone; FIG. 5 is a top plan view of the earphone; FIG. 6 is a bottom plan view of the earphone; FIG. 7 is a right side elevational view of the earphone; and, FIG. 8 is a left side elevational view of the earphone. Portions of the drawings shown in broken lines form no part of the claimed design.

**1 Claim, 8 Drawing Sheets**



(56)

References Cited

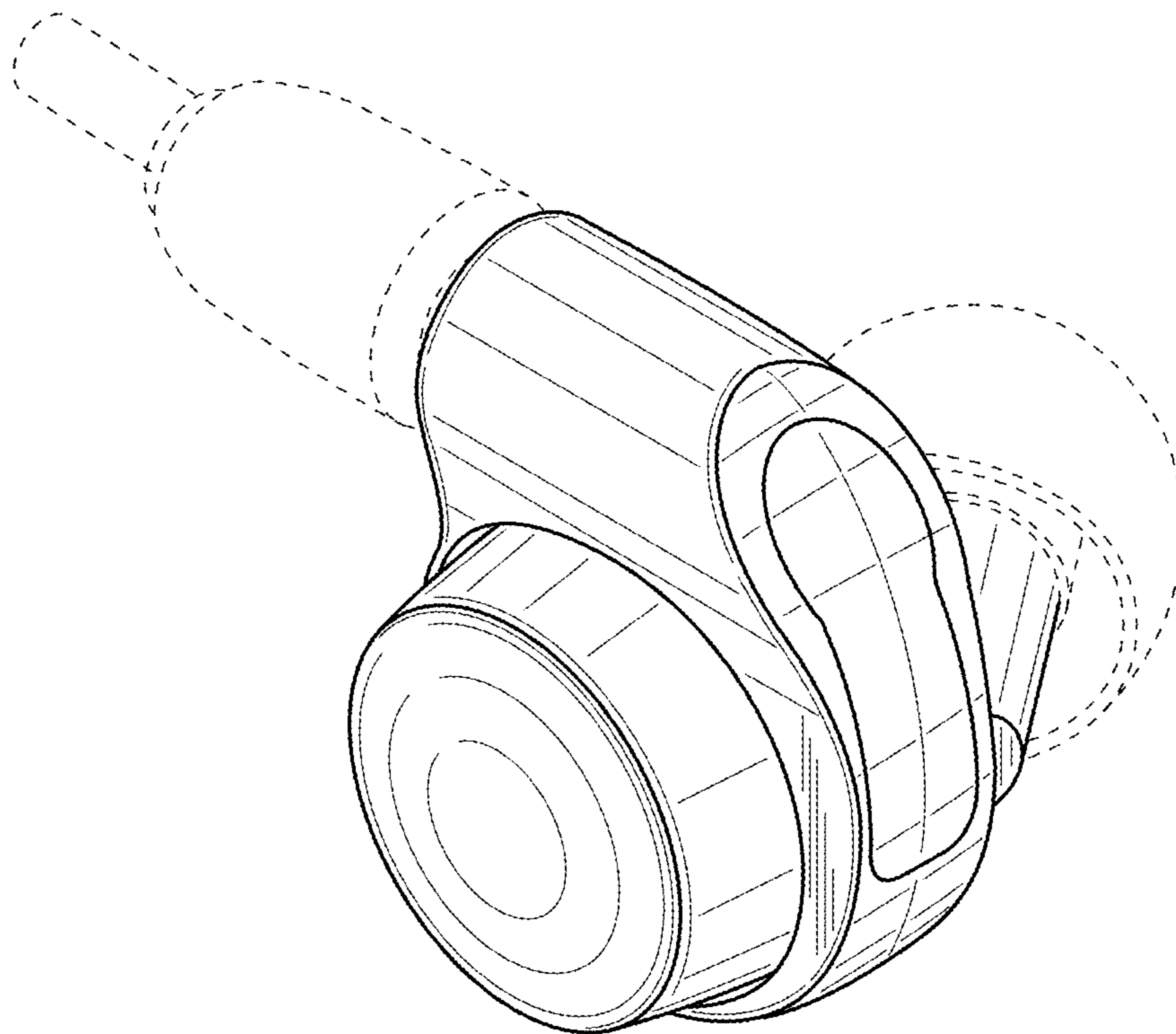
U.S. PATENT DOCUMENTS

D495,656 S \* 9/2004 Faunce ..... D13/107  
 D519,103 S \* 4/2006 Sabick ..... D14/205  
 D529,612 S \* 10/2006 Feeley ..... D24/174  
 D532,770 S \* 11/2006 Engstrom ..... D14/205  
 D540,312 S \* 4/2007 Atamaniuk ..... D14/223  
 D541,254 S \* 4/2007 Dayan ..... D14/155  
 D542,773 S \* 5/2007 Drambarean ..... D14/205  
 D550,200 S \* 9/2007 Drambarean ..... D14/205  
 D550,201 S \* 9/2007 Drambarean ..... D14/205  
 D557,419 S \* 12/2007 Jurkiewicz ..... D24/174  
 D563,945 S \* 3/2008 Johns ..... D14/205  
 D565,022 S \* 3/2008 Belliveau ..... D14/205  
 D567,216 S \* 4/2008 Densho ..... D14/205  
 D575,767 S \* 8/2008 Lee ..... D14/205  
 D575,773 S \* 8/2008 Yanai ..... D14/223  
 D587,249 S \* 2/2009 Densho ..... D14/223  
 D587,681 S \* 3/2009 Yanai ..... D14/205  
 D603,377 S \* 11/2009 Chung ..... D14/223  
 D603,844 S \* 11/2009 Blanchard ..... D14/205  
 D613,726 S \* 4/2010 Blanchard ..... D14/223  
 D618,211 S \* 6/2010 Oguro ..... D14/205  
 D618,669 S \* 6/2010 Johnson ..... H04R 1/1016  
 D626,112 S \* 10/2010 Kao ..... D14/205  
 D631,470 S \* 1/2011 Yoneyama ..... D14/223  
 D637,585 S \* 5/2011 Nagayama ..... D14/223

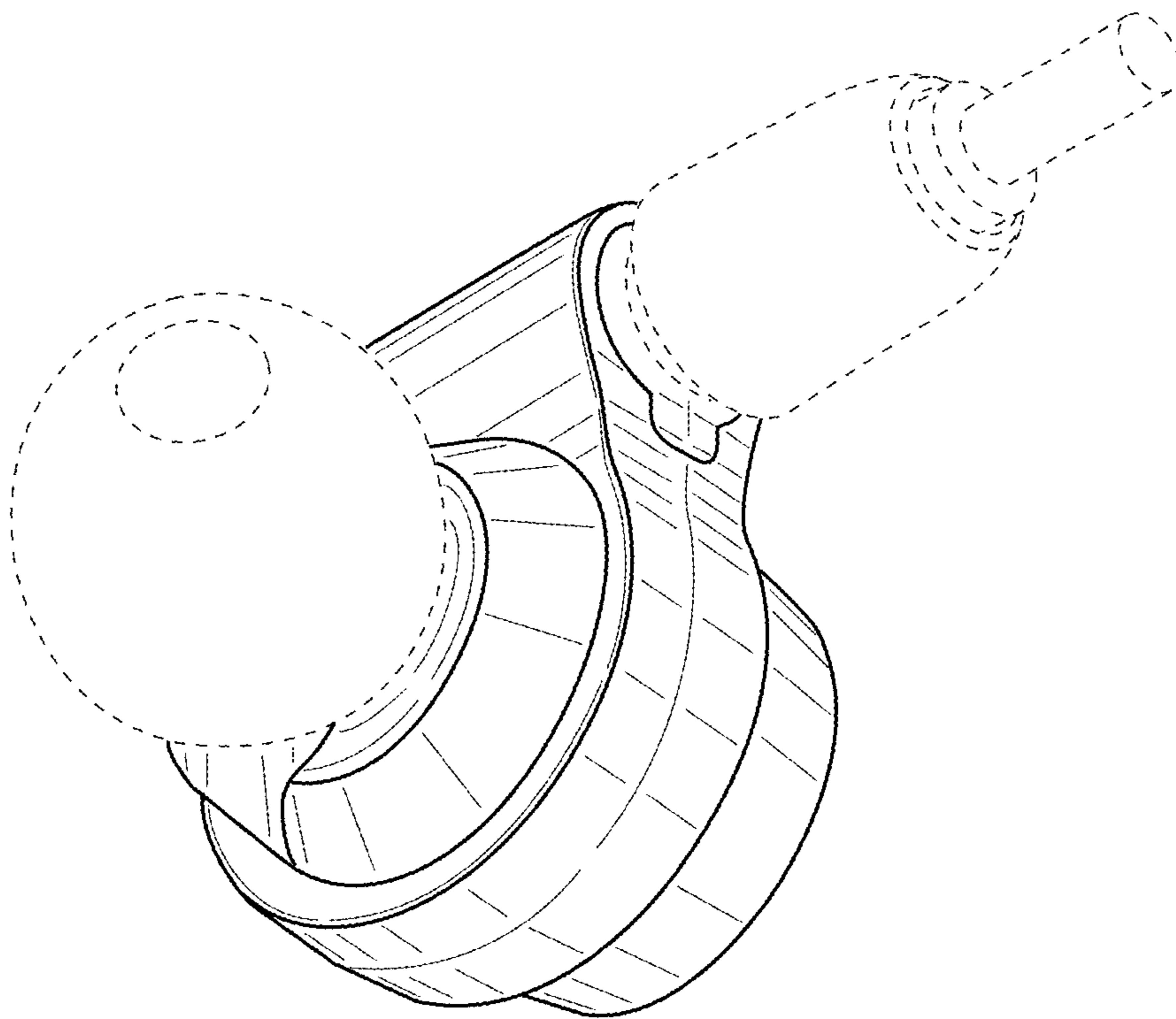
7,937,040 B2 \* 5/2011 Dayan ..... H04B 1/034  
 381/2  
 D639,283 S \* 6/2011 Ozawa ..... D14/223  
 D641,011 S \* 7/2011 Gondo ..... D14/206  
 D645,456 S \* 9/2011 Carr ..... D14/223  
 D655,277 S \* 3/2012 Wai ..... D14/223  
 D671,530 S \* 11/2012 Yang ..... D14/223  
 8,447,061 B2 \* 5/2013 Lee ..... H04R 1/1091  
 381/181  
 D686,597 S \* 7/2013 Lee ..... D14/223  
 D712,882 S \* 9/2014 Wang ..... D14/223  
 D715,775 S \* 10/2014 Rueskov ..... D14/221  
 D734,295 S \* 7/2015 Martin ..... D14/205  
 D751,067 S \* 3/2016 Nousiainen ..... D10/38  
 D780,726 S \* 3/2017 Wang ..... D14/223  
 2005/0227708 A1 \* 10/2005 Peng ..... H04B 1/207  
 455/456.1  
 2006/0019718 A1 \* 1/2006 Kuo ..... H04M 1/05  
 455/569.1  
 2007/0111700 A1 \* 5/2007 Chen ..... H04B 1/034  
 455/345  
 2009/0304220 A1 \* 12/2009 Fujikura ..... H04R 1/1091  
 381/380  
 2011/0228947 A1 \* 9/2011 Killion ..... A61F 11/08  
 381/72  
 2011/0249855 A1 \* 10/2011 Tamura ..... H04R 1/1016  
 381/380  
 2012/0116231 A1 \* 5/2012 Liao ..... H04R 1/1016  
 600/473

\* cited by examiner

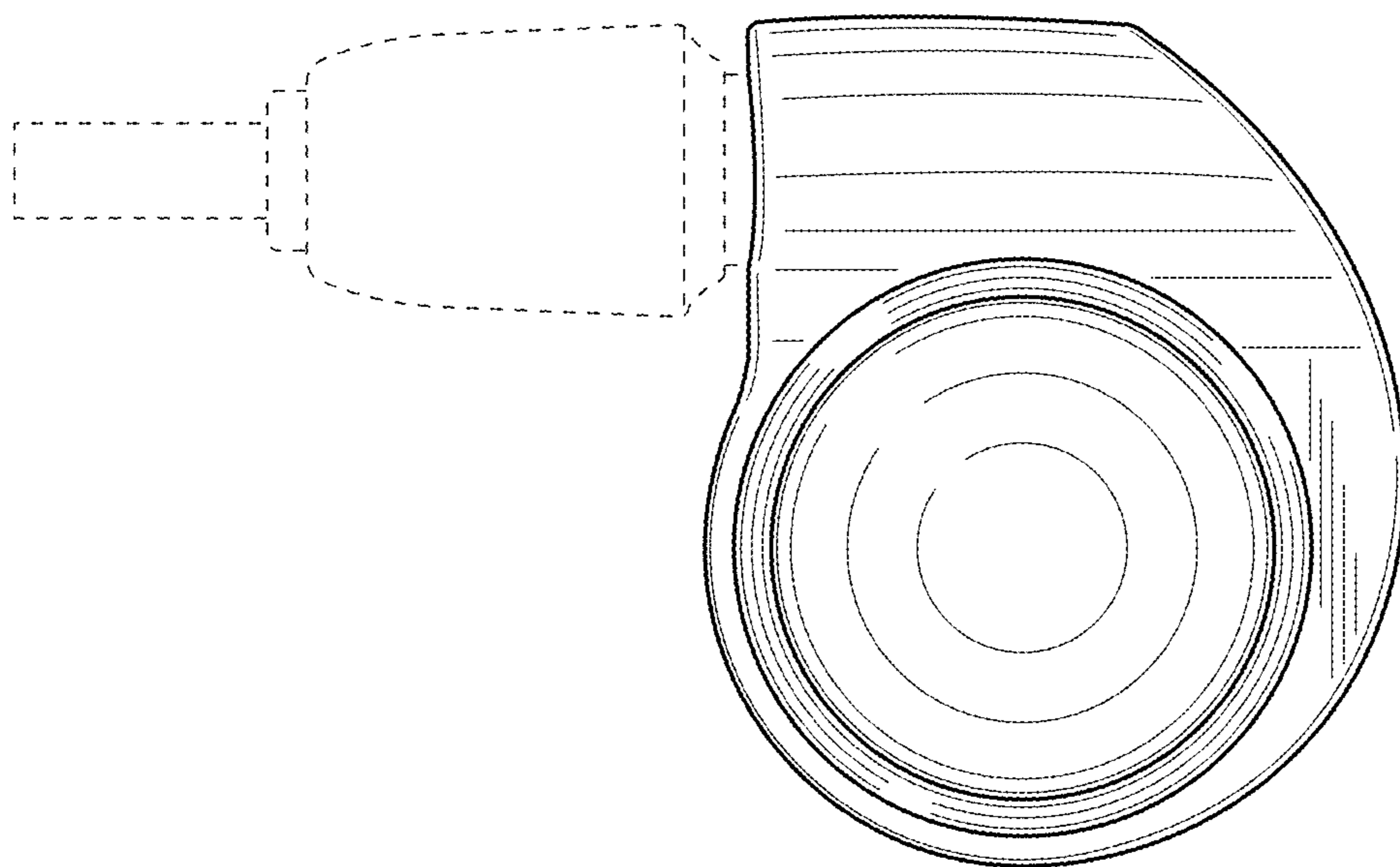
***FIG. 1***



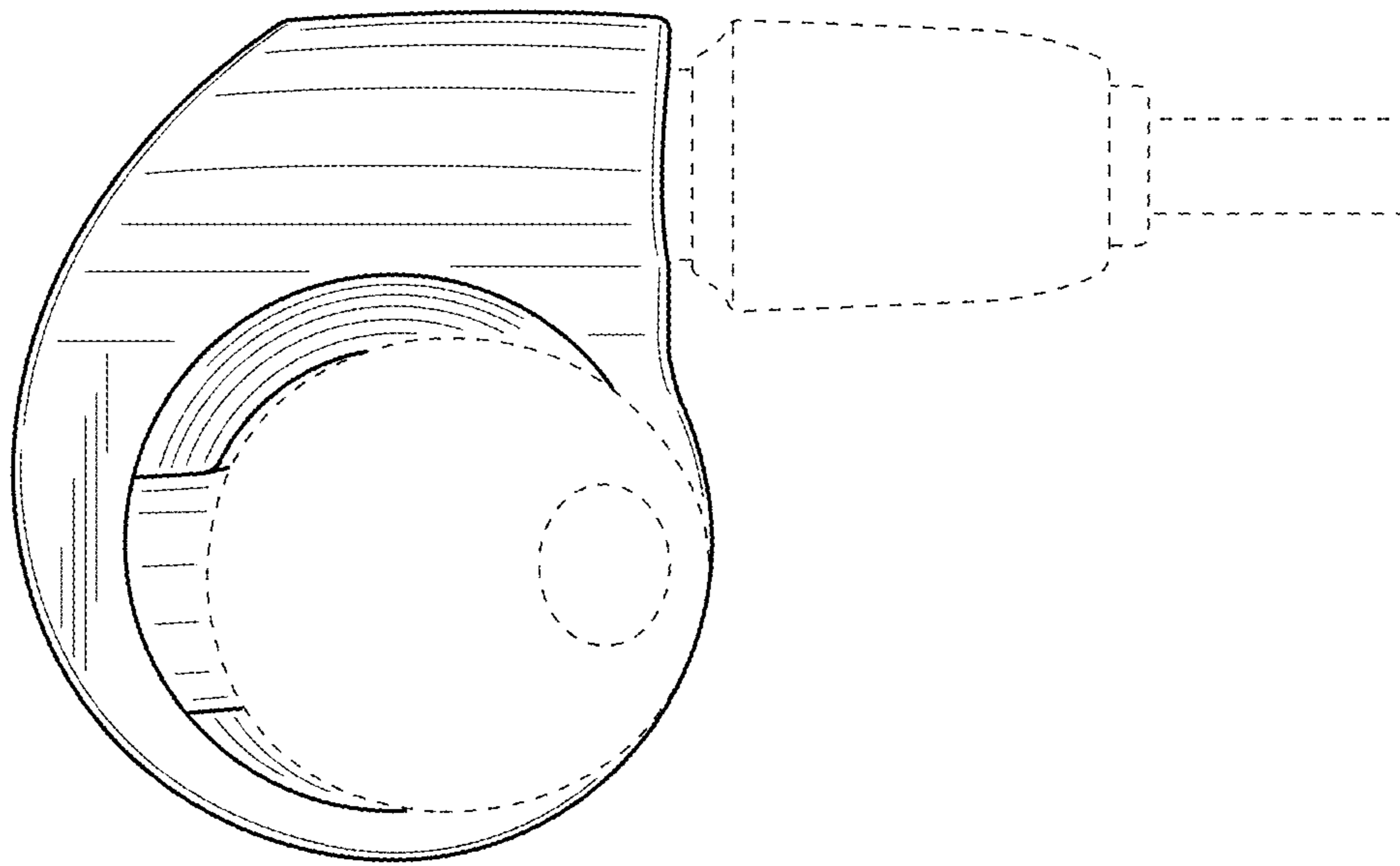
**FIG. 2**



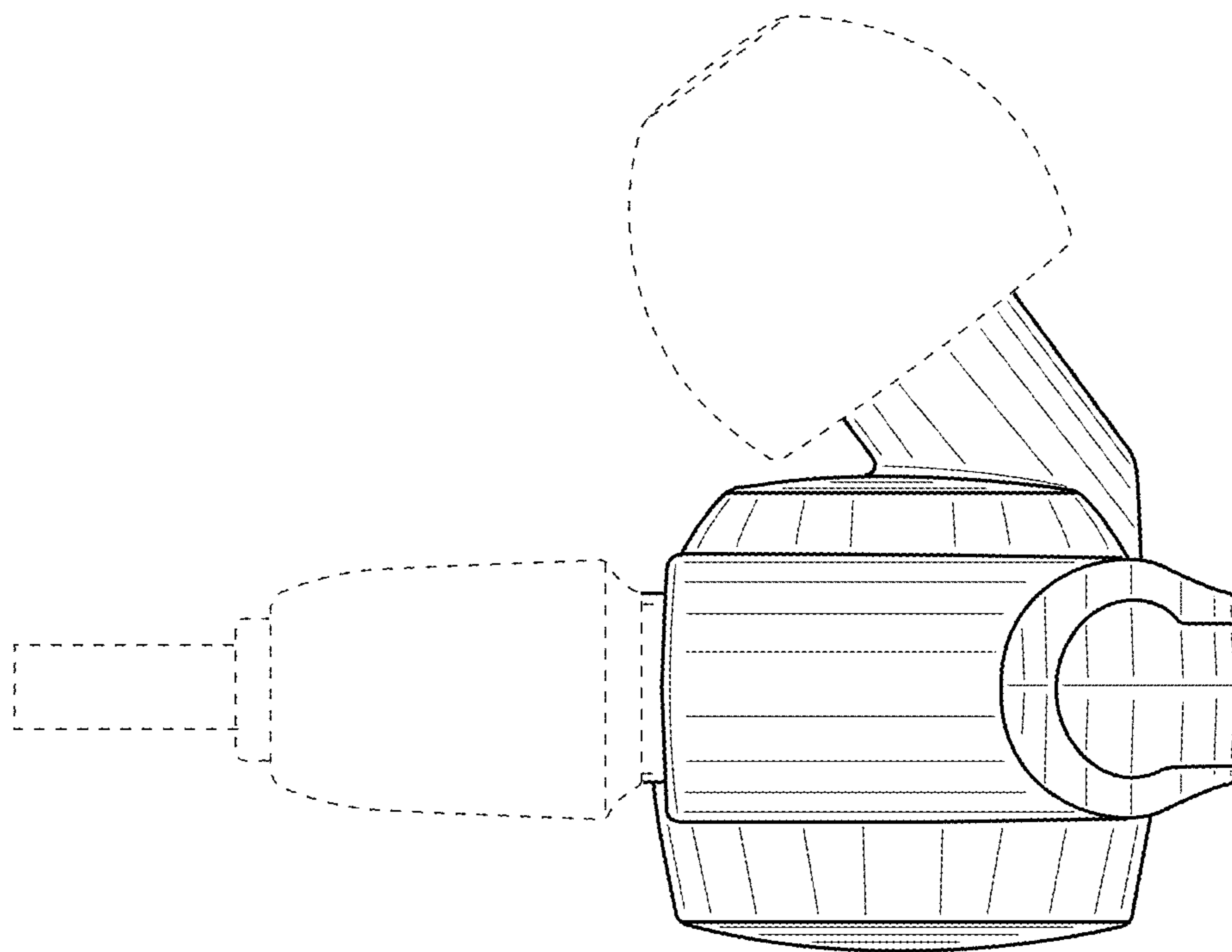
**FIG. 3**



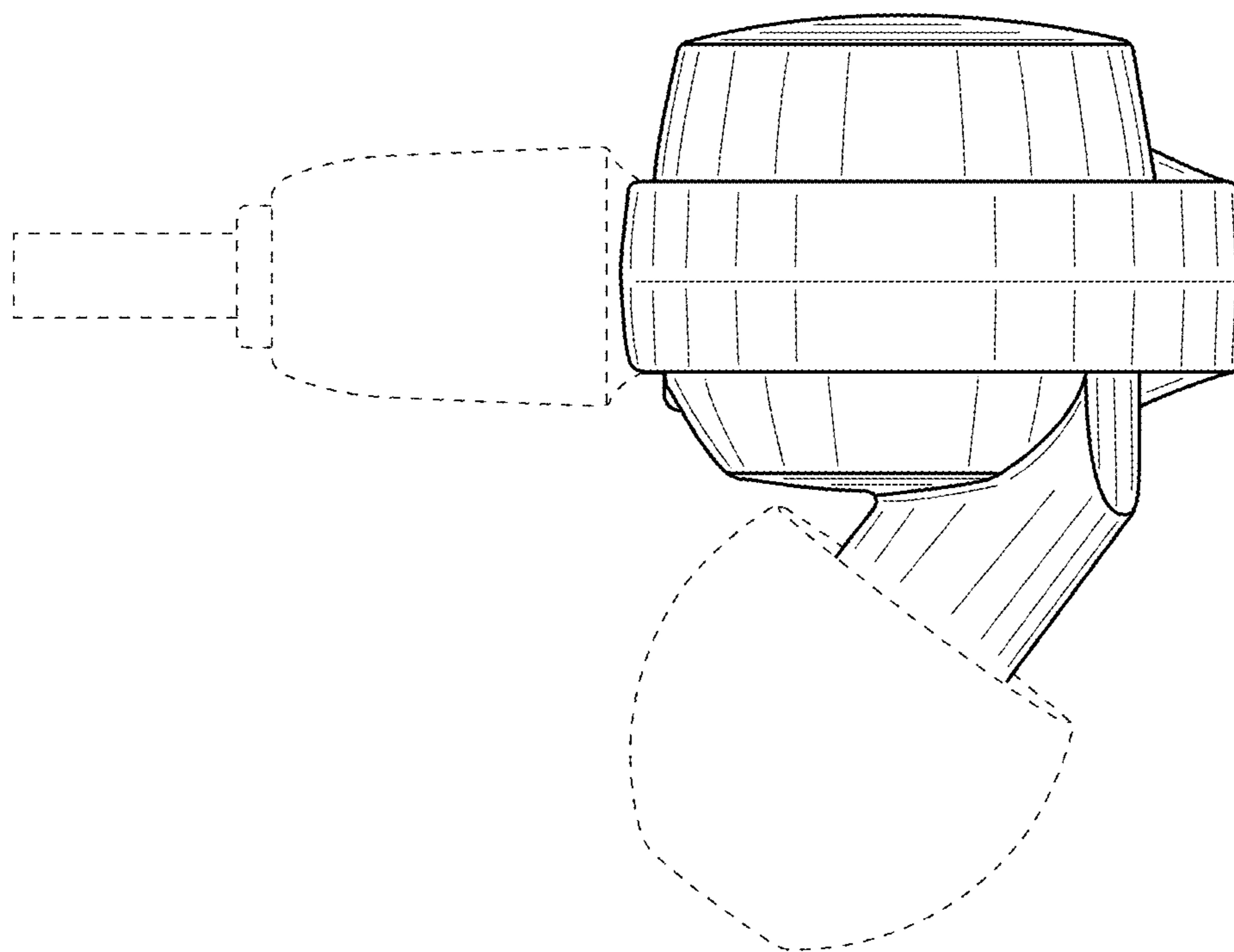
**FIG. 4**



**FIG. 5**

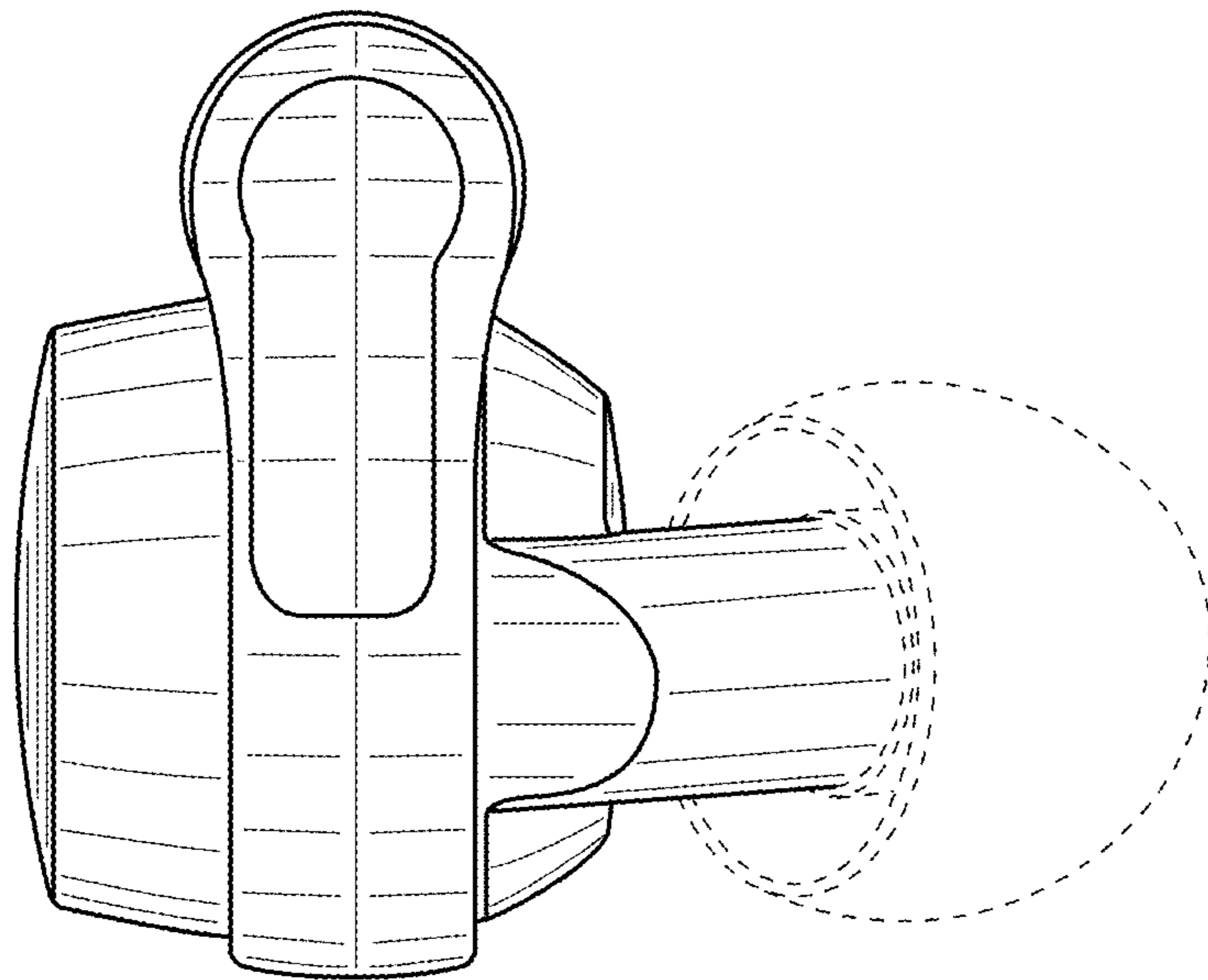


**FIG. 6**





***FIG. 7***



*FIG. 8*

