



US00D813846S

(12) **United States Design Patent**
Katopis

(10) **Patent No.:** **US D813,846 S**
(45) **Date of Patent:** **** Mar. 27, 2018**

- (54) **EARBUD**
- (71) Applicant: **Chris J. Katopis**, Washington, DC
(US)
- (72) Inventor: **Chris J. Katopis**, Washington, DC
(US)
- (**) Term: **15 Years**
- (21) Appl. No.: **29/560,422**
- (22) Filed: **Apr. 6, 2016**
- (51) **LOC (11) Cl.** **14-01**
- (52) **U.S. Cl.**
USPC **D14/223**
- (58) **Field of Classification Search**
USPC D14/204, 205, 209, 223, 224, 225, 188,
D14/192, 206, 240; D29/112; D24/174;
181/129, 130, 135; 379/370, 371, 430,
379/431, 446, 449, 454, 455; 381/380,
381/381
CPC H04R 1/10; H04R 1/1066; H04R 1/1016;
H04R 1/105; H04R 25/00; H04R 5/033;
H04R 5/0335; H04R 1/1091; H04R
1/1058; H04R 25/02
See application file for complete search history.

5,819,745 A * 10/1998 Mobley A61F 11/08
128/864
D463,789 S 10/2002 DeKalb et al.
D463,790 S 10/2002 Beraut et al.
D467,907 S 12/2002 Marion et al.
6,595,317 B1 * 7/2003 Widmer H04R 25/652
181/129

(Continued)

OTHER PUBLICATIONS

Best Replacement Earbud Tips for Extra-Comfort, date updated Jul. 18, 2015, site visited Nov. 9, 2017, Copyright © 2017, <<http://www.thebestearbuds.com/replacement-earbud-tips/>>.*

(Continued)

Primary Examiner — Cathron C Brooks
Assistant Examiner — Sharon S Oum
(74) *Attorney, Agent, or Firm* — Chris J. Katopis

(57) **CLAIM**

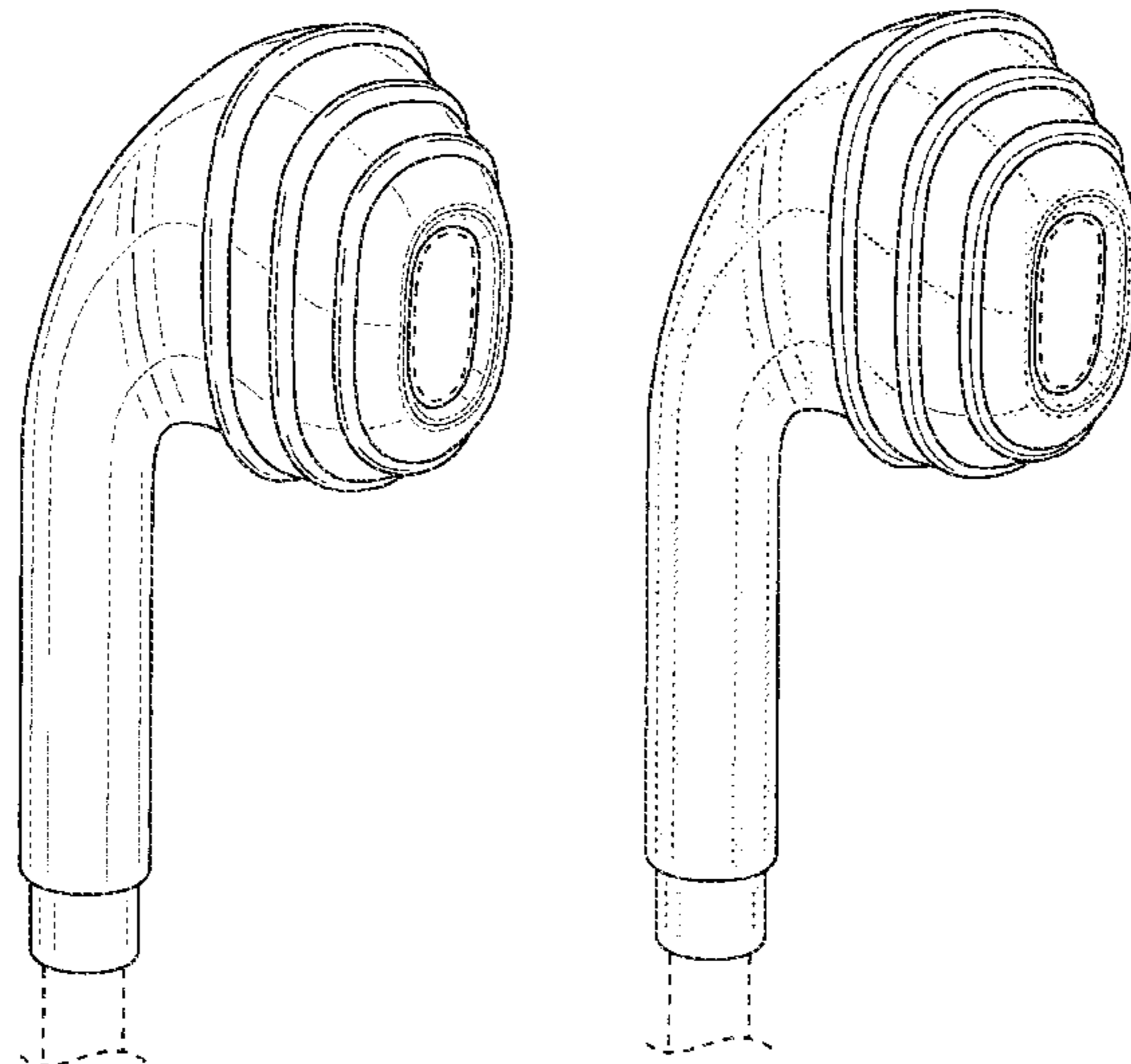
The ornamental design for an earbud, as shown and described.

DESCRIPTION

FIG. 1 is a front perspective view of a first embodiment of an earbud, showing the new design;
FIG. 2 is a front view thereof;
FIG. 3 is a back view thereof;
FIG. 4 is a side view thereof;
FIG. 5 is the opposite side view thereof;
FIG. 6 is a top view thereof;
FIG. 7 is a bottom view thereof
FIG. 8 is a front perspective view of a second embodiment of an earbud, the only difference between the second and first embodiments being the rib edge profile; and,
FIG. 9 is a side view thereof.
In all figures, the broken lines represent environment subject matter that forms no part of the claimed design.

1 Claim, 9 Drawing Sheets

- (56) **References Cited**
U.S. PATENT DOCUMENTS
2,670,738 A * 3/1954 Gibbons A61F 11/08
128/864
2,804,072 A * 8/1957 Genzer A61F 11/08
128/864
2,939,923 A * 6/1960 Henderson H04R 1/1016
381/328
3,800,791 A * 4/1974 Visor A61F 11/08
128/864
5,074,375 A * 12/1991 Grozil A61F 9/029
128/864
D371,193 S * 6/1996 Myers D24/106



(56)

References Cited

U.S. PATENT DOCUMENTS

6,731,772 B1 * 5/2004 Byun H04R 1/12
181/130
D510,337 S 10/2005 Tages
D539,075 S 3/2007 Schuler
D539,415 S * 3/2007 Fleming A61F 11/08
D24/106
D562,808 S 2/2008 Gwee
D566,687 S 4/2008 Duarte et al.
D566,695 S * 4/2008 Rath D14/223
D567,230 S * 4/2008 Seto D14/223
D572,241 S 7/2008 Gwee
D585,429 S 1/2009 Dean
D591,732 S 5/2009 Burton
D600,675 S * 9/2009 Lee D14/205
D601,134 S 9/2009 Elabidi et al.
D617,316 S 6/2010 Elabidi et al.
D618,209 S 6/2010 Andre et al.
D618,210 S 6/2010 Andre et al.
D618,218 S * 6/2010 Burgett D14/223
D619,566 S 7/2010 Yu
D622,707 S * 8/2010 Chen D14/223
D634,013 S * 3/2011 Wai D24/174
D641,010 S 7/2011 Kwon
D643,415 S 8/2011 Vasquez
D647,081 S 10/2011 Kwon
D653,235 S 1/2012 McManigal
D656,481 S 3/2012 McManigal
D658,157 S 4/2012 McManigal
D660,291 S 5/2012 Thomas et al.
D666,169 S 8/2012 Tucker et al.
D666,996 S 9/2012 Hardi et al.
D674,271 S 1/2013 Rodwin
D676,415 S * 2/2013 Erdel D14/205
D676,417 S * 2/2013 Masuda D14/205
D678,868 S * 3/2013 Feng D14/223
D681,015 S * 4/2013 Akana H04R 1/10
D14/223
D681,212 S * 4/2013 Larsen D24/174

D687,418 S 8/2013 Godfrey
D689,472 S * 9/2013 Erdel D14/223
D691,594 S * 10/2013 Akana D14/223
D700,905 S 3/2014 Pavitsich
D705,195 S * 5/2014 Inukai H04R 1/10
D14/223
D707,201 S 6/2014 Arjomand
D709,610 S * 7/2014 Pick A61F 11/08
D24/106
D712,874 S 9/2014 Gauger, Jr. et al.
D715,272 S 10/2014 Burton
D716,771 S 11/2014 Burgett et al.
D729,764 S 5/2015 Arjomand
D739,518 S * 9/2015 Butler D24/106
D739,520 S * 9/2015 Butler D24/106
D739,851 S 9/2015 Donohue, II et al.
D744,456 S 12/2015 Pedersen
D745,135 S * 12/2015 Butler D24/106
D745,863 S 12/2015 Hardi
D755,759 S * 5/2016 Cai D14/223
D756,970 S * 5/2016 Ferber D14/223
D757,681 S * 5/2016 Kuskin D14/205
D758,355 S * 6/2016 Lee D14/223
9,538,281 B2 * 1/2017 Burgett H04R 1/1016
D788,906 S * 6/2017 Dittrich D24/106
D789,910 S * 6/2017 Katopis D14/223
D794,612 S * 8/2017 Katopis D14/223
2009/0252366 A1 * 10/2009 Johnson H04R 1/1091
381/380
2014/0219488 A1 * 8/2014 Michel H04R 25/652
381/329

OTHER PUBLICATIONS

“Etymotic Research ER-4(R) micorPro(R)—Earphones,” www.atymotic.com, [retrieved Mar. 4, 2016] <URL: <http://www.atymotic.com/consumer/earphones/er4.html>>.
“Burton Technologies LLC,” www.burtontechusa.com, [retrieved Mar. 4, 2016] <URL: <http://www.burtontechusa.com/>>.

* cited by examiner

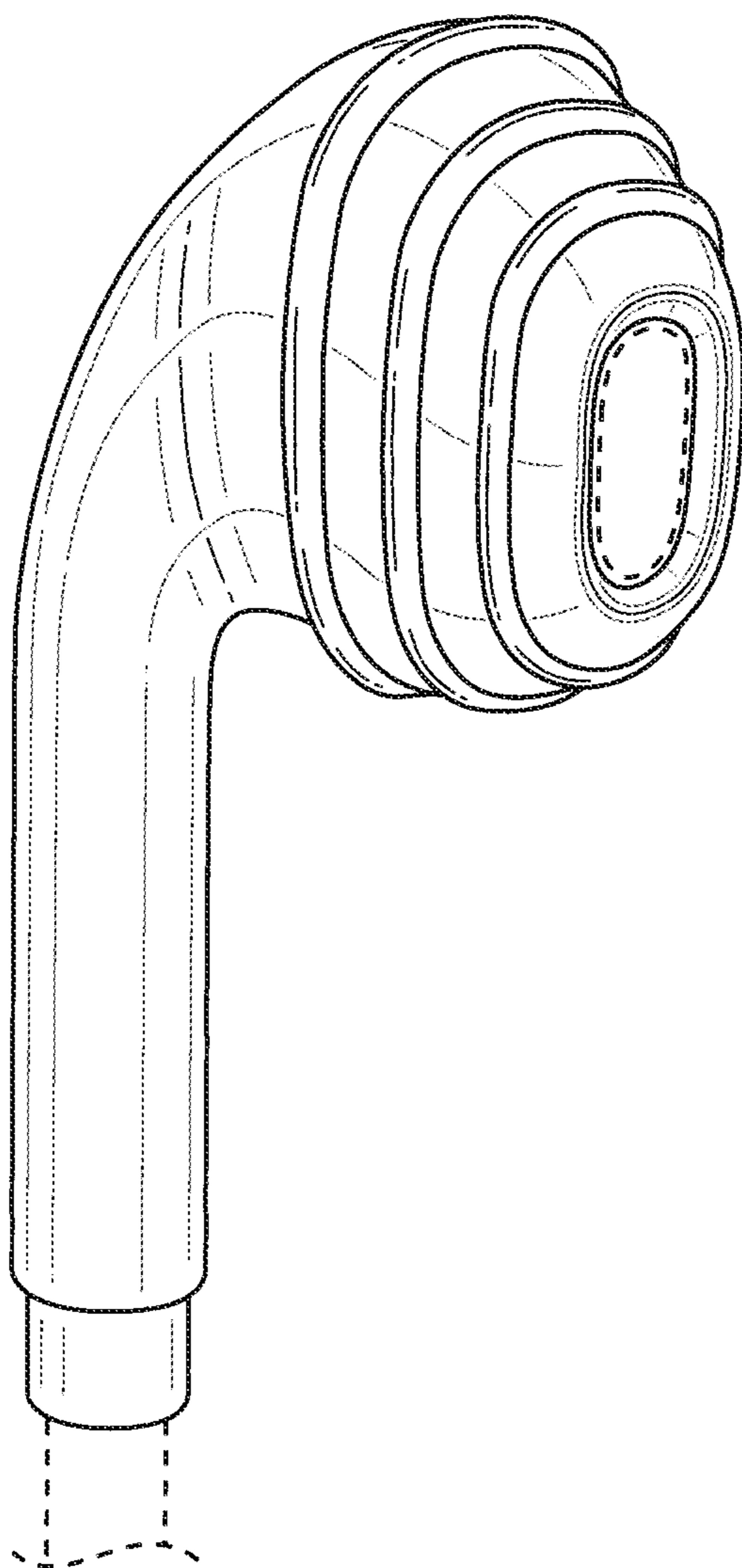


FIG. 1

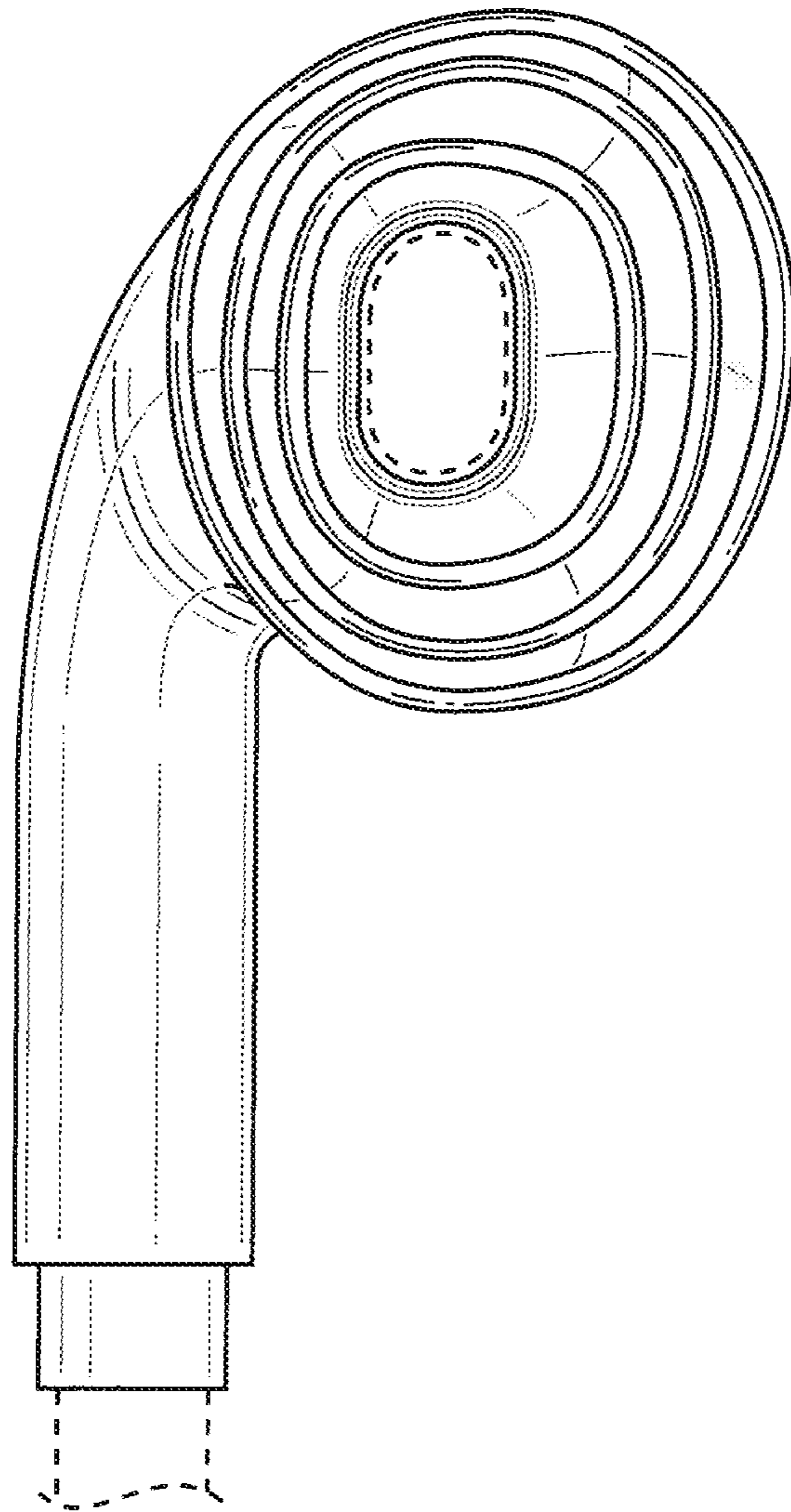


FIG. 2

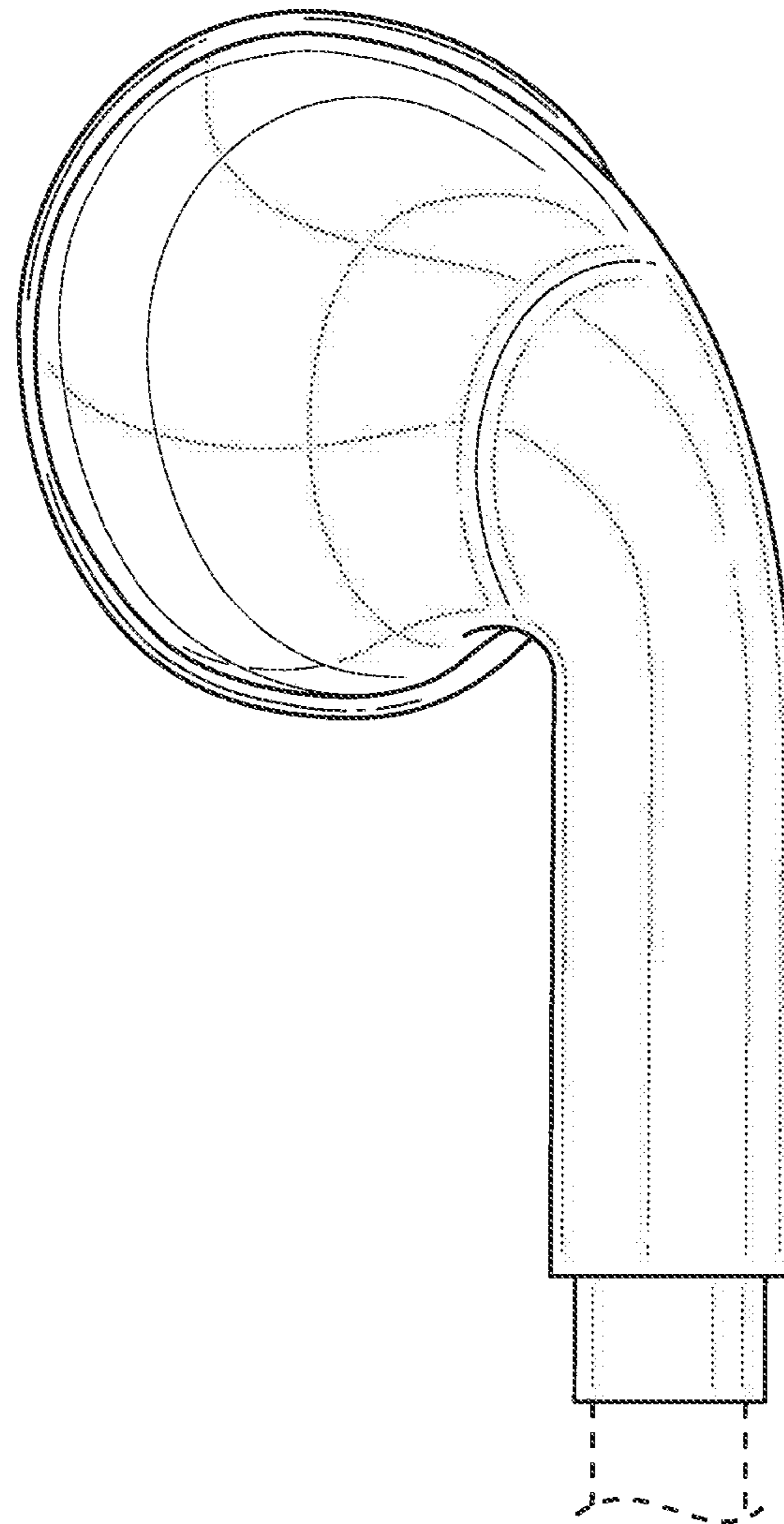


FIG. 3

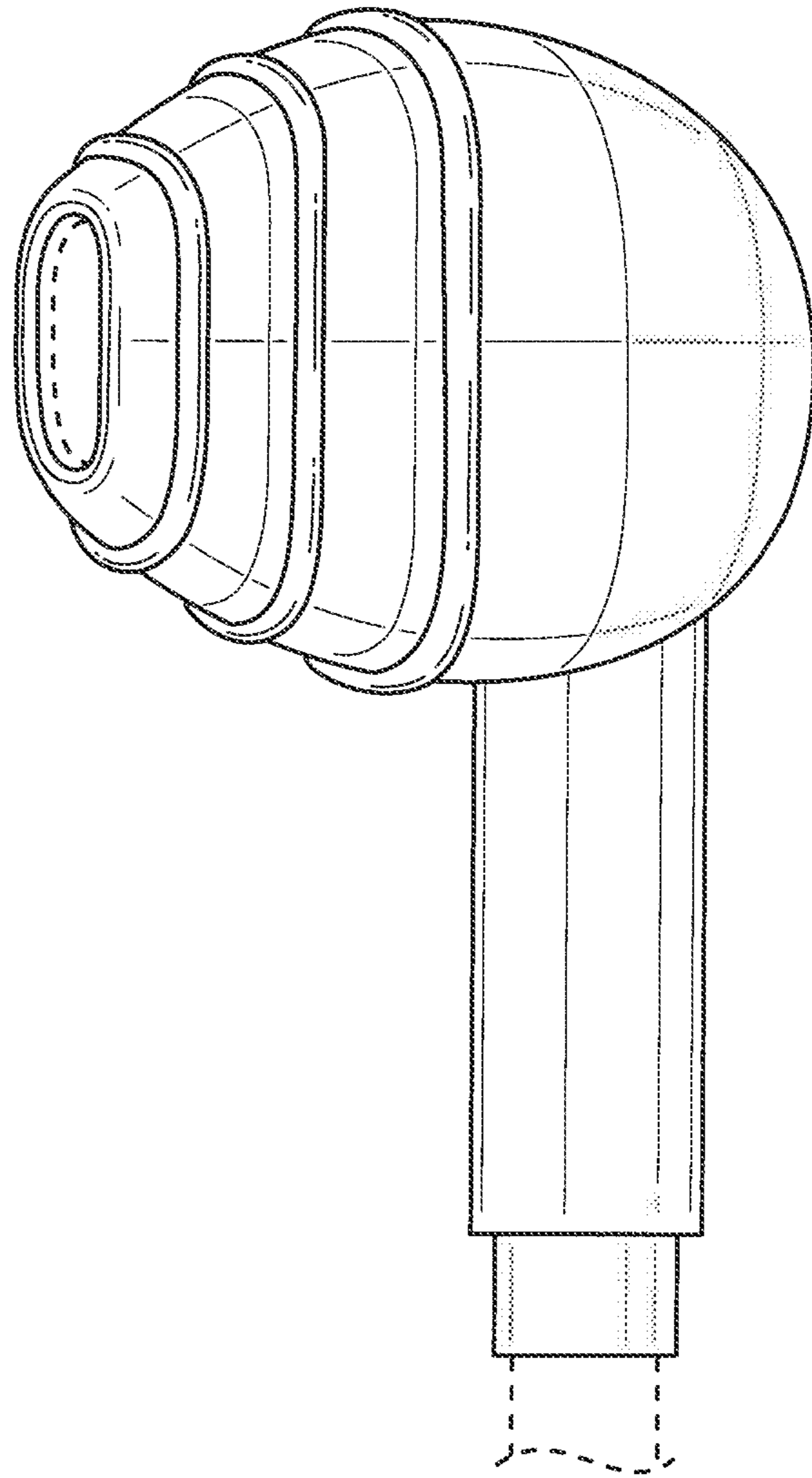


FIG. 4

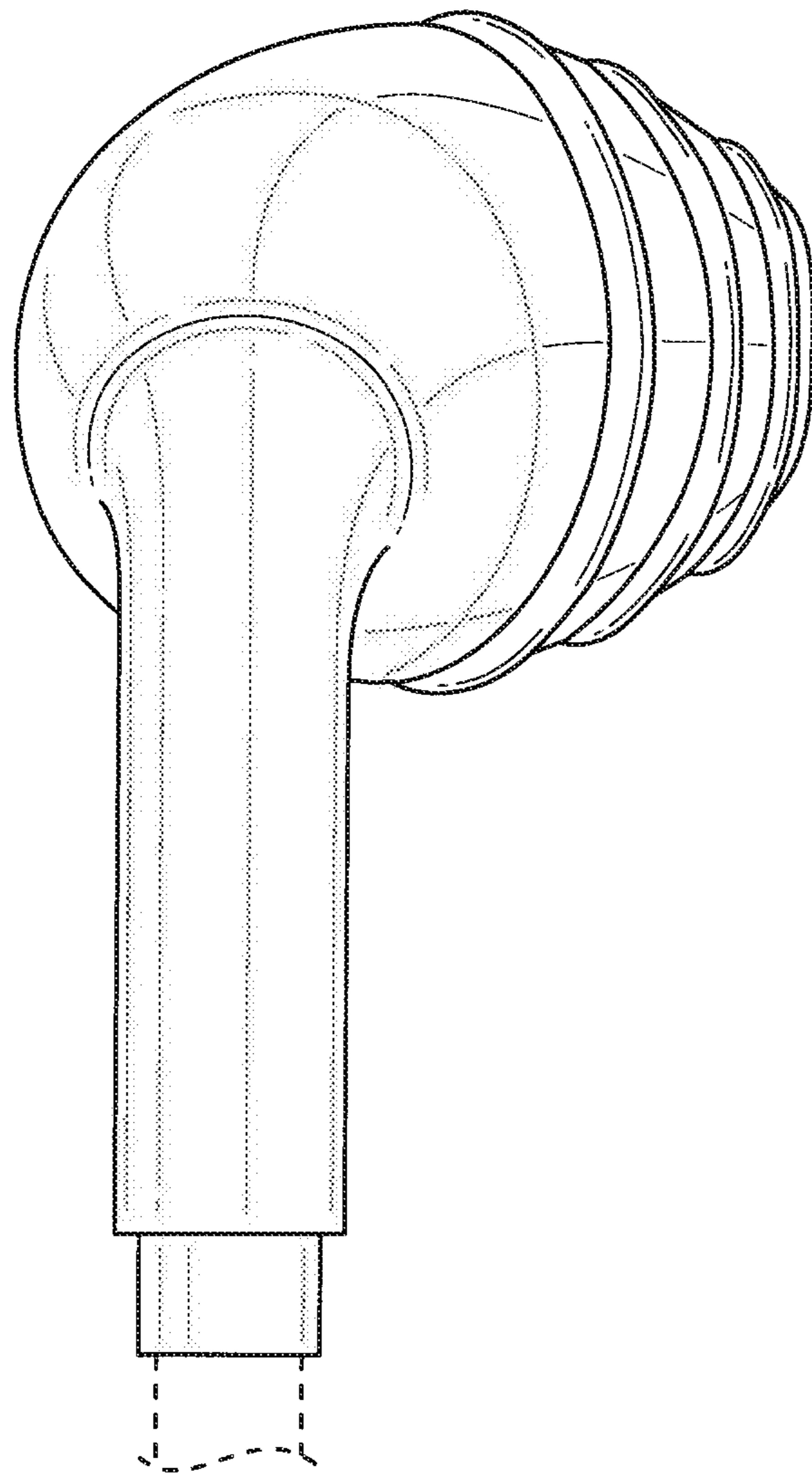


FIG. 5

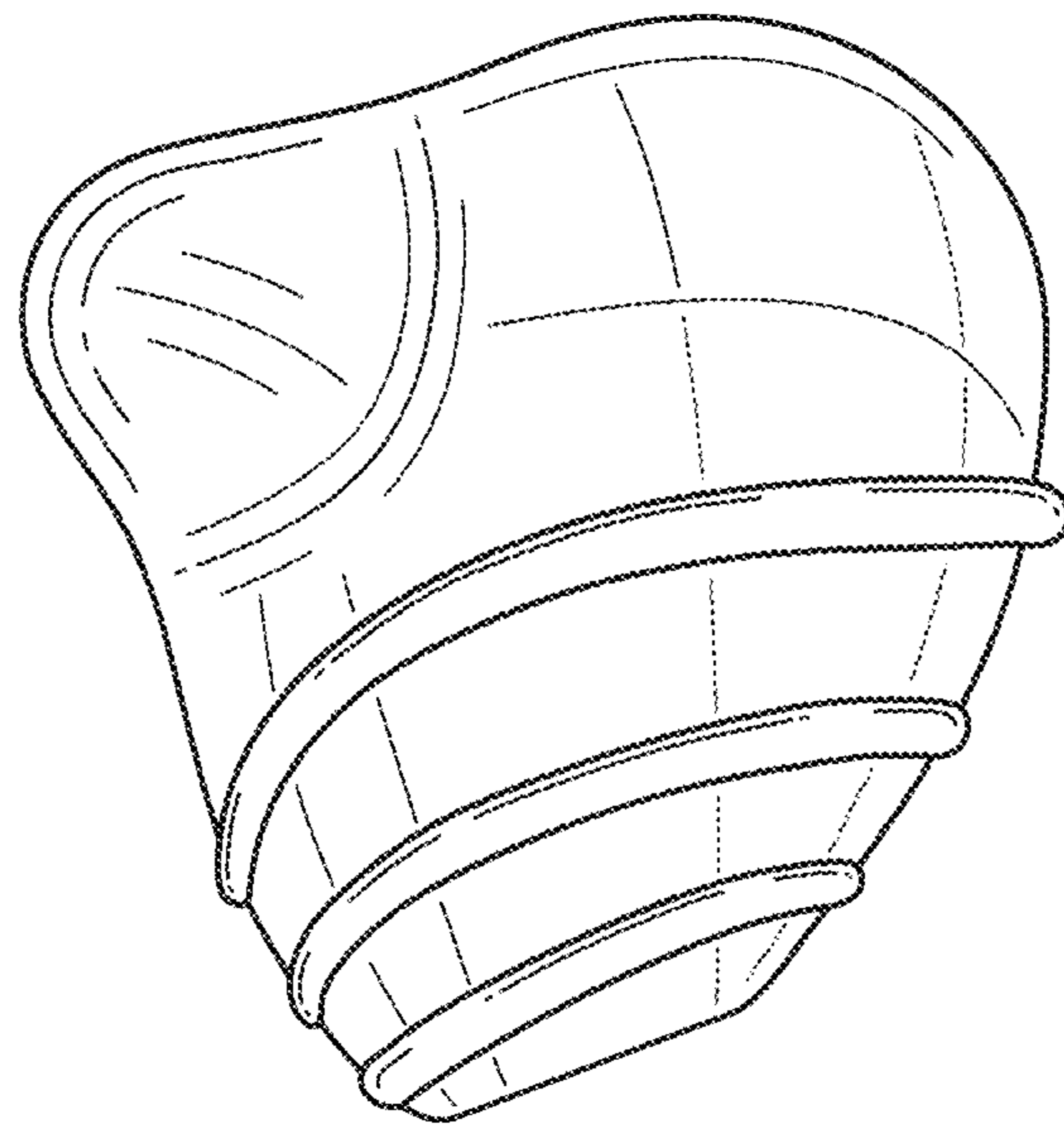


FIG. 6

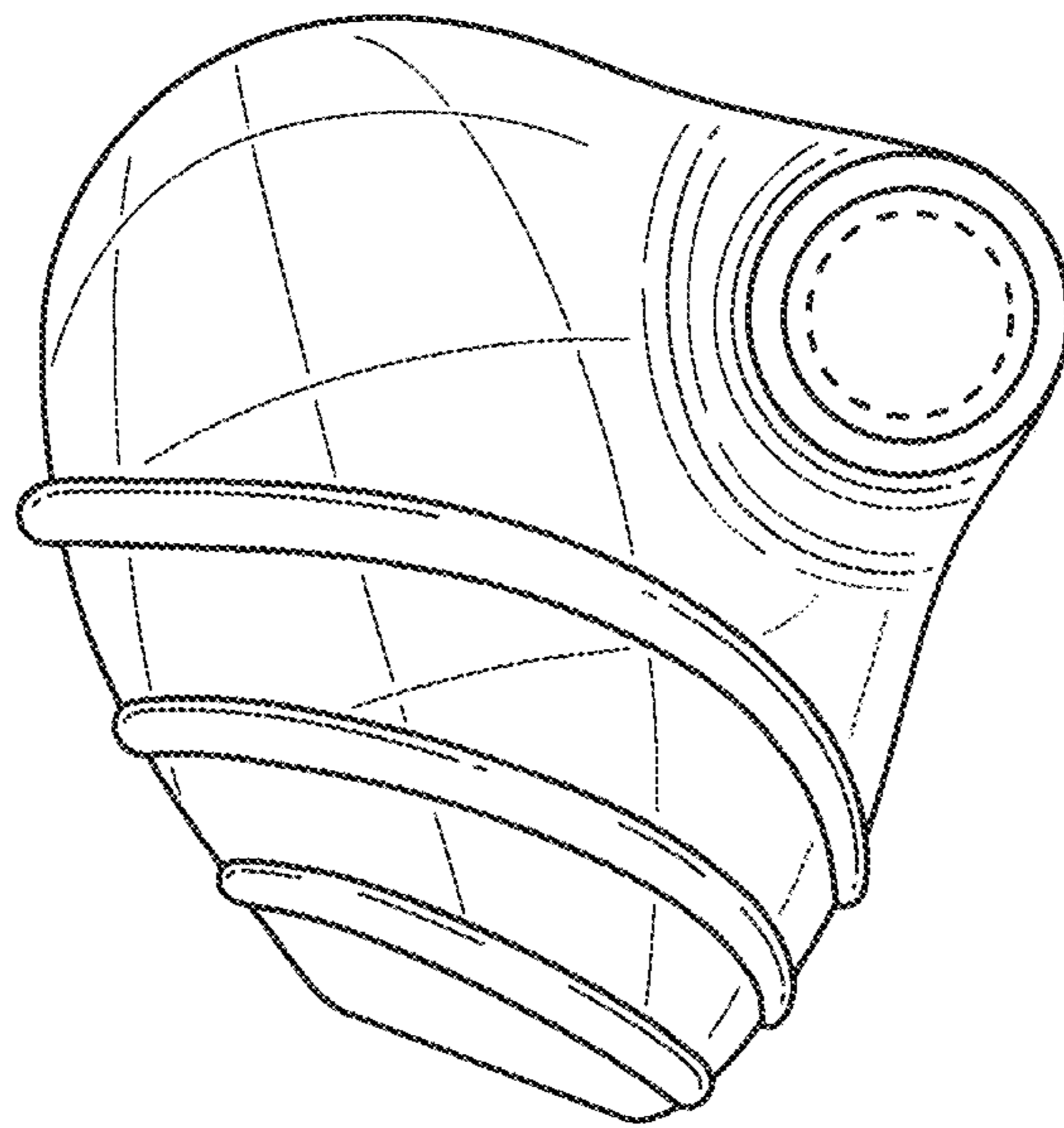


FIG. 7

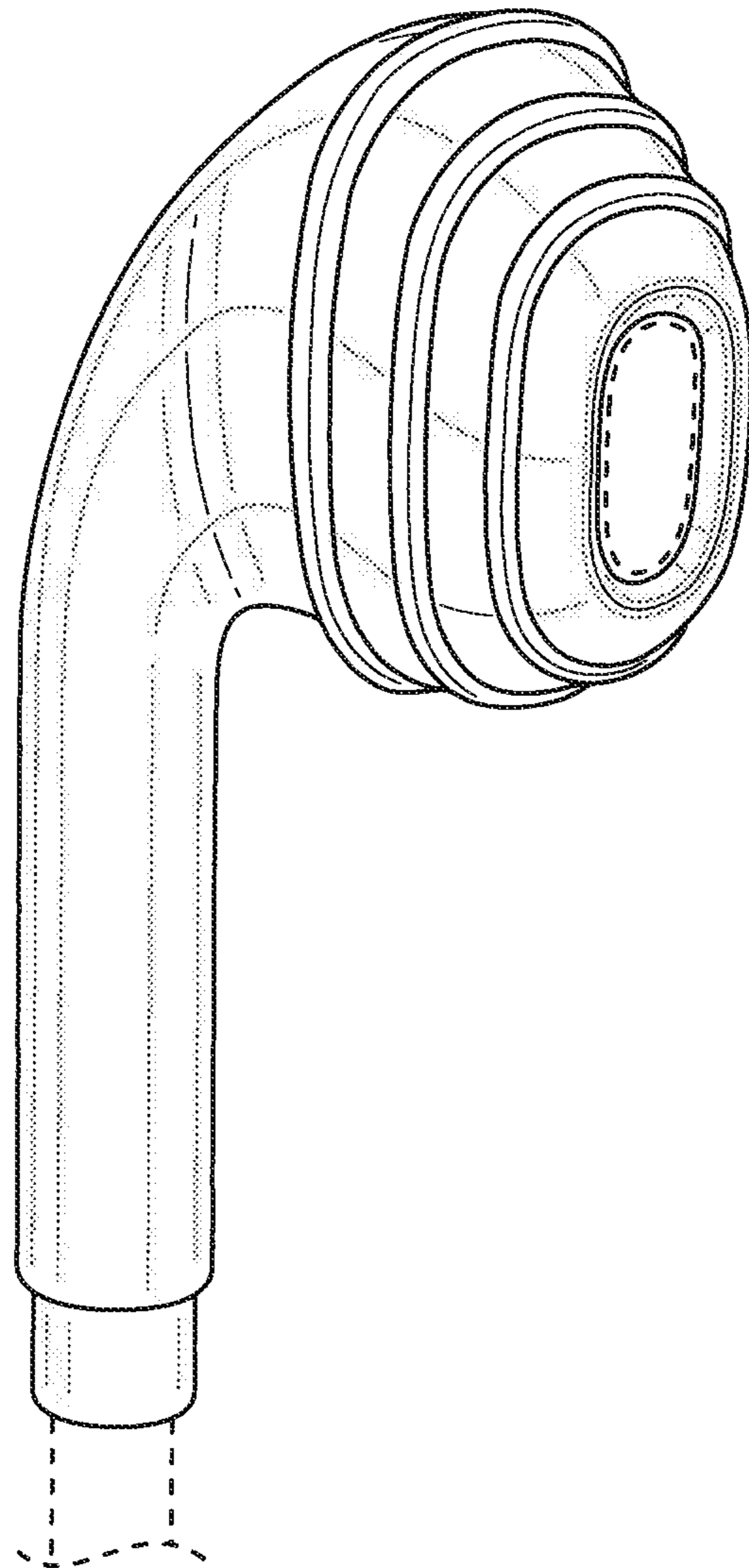


FIG. 8

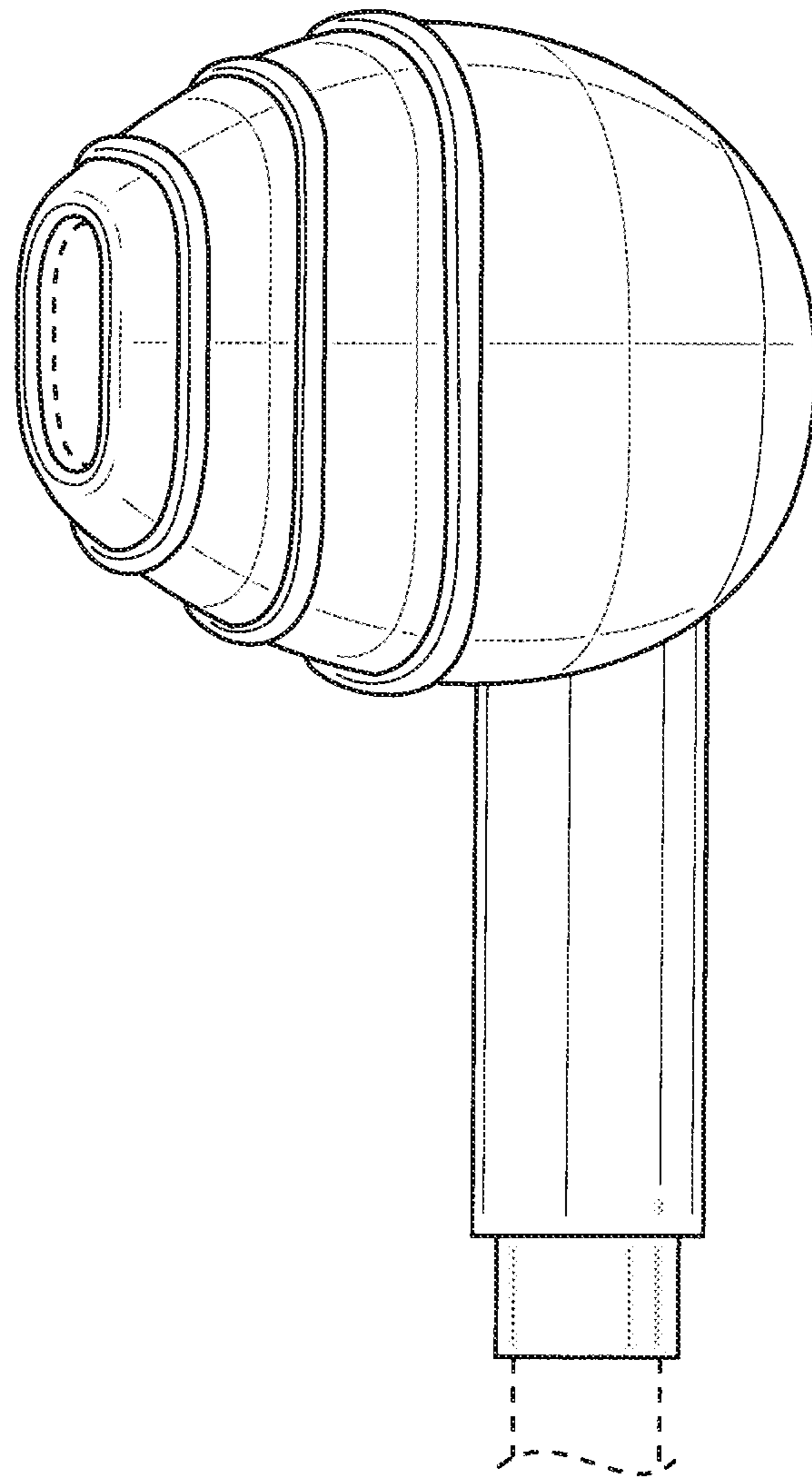


FIG. 9