



US00D813845S

(12) **United States Design Patent**  
**Katopis**

(10) **Patent No.:** **US D813,845 S**  
(45) **Date of Patent:** **\*\* Mar. 27, 2018**

- (54) **EARBUD**
- (71) Applicant: **Chris J. Katopis**, Washington, DC (US)
- (72) Inventor: **Chris J. Katopis**, Washington, DC (US)
- (\*\*) Term: **15 Years**
- (21) Appl. No.: **29/559,915**
- (22) Filed: **Mar. 31, 2016**
- (51) **LOC (11) Cl.** ..... **14-01**
- (52) **U.S. Cl.**  
USPC ..... **D14/223**
- (58) **Field of Classification Search**  
USPC ..... D14/204, 205, 209, 223, 224, 225, 188, D14/192, 206, 240; D29/112; D24/174; 181/129, 130, 135; 379/370, 371, 430, 379/431, 446, 449, 454, 455; 381/380, 381/381; D5/53, 52, 62, 63  
CPC ..... H04R 1/10; H04R 1/1066; H04R 1/1016; H04R 1/105; H04R 25/00; H04R 5/033; H04R 5/0335; H04R 1/1091; H04R 1/1058; H04R 25/02  
See application file for complete search history.

- 6,595,317 B1 \* 7/2003 Widmer ..... H04R 25/652 181/129
  - 6,731,772 B1 \* 5/2004 Byun ..... H04R 1/12 181/130
  - D510,337 S 10/2005 Tages
  - D519,108 S \* 4/2006 Yang ..... D14/223
  - D539,075 S 3/2007 Schuler
  - D562,808 S 2/2008 Gwee
  - D566,687 S 4/2008 Duarte et al.
  - D572,241 S 7/2008 Gwee
  - D585,429 S 1/2009 Dean
  - D591,732 S 5/2009 Burton
  - D595,268 S \* 6/2009 Kolton ..... D14/205
- (Continued)

- (56) **References Cited**  
**U.S. PATENT DOCUMENTS**  
789,876 A \* 5/1905 Pape ..... A61F 11/008 181/135  
D169,551 S \* 5/1953 Kendrick ..... D23/250  
2,804,072 A \* 8/1957 Genzer ..... A61F 11/08 128/864  
3,575,764 A \* 4/1971 McFarren ..... B32B 27/00 156/306.6  
D371,193 S \* 6/1996 Myers ..... D24/106  
D463,789 S 10/2002 DeKalb et al.  
D463,790 S 10/2002 Beraut et al.  
D467,907 S 12/2002 Marion et al.

**OTHER PUBLICATIONS**

Best Replacement Earbud Tips For Extra-Comfort, date updated Jul. 18, 2015, site visited Nov. 9, 2017, Copyright © 2017, <<http://www.thebestearbuds.com/replacement-earbud-tips/>>.\*  
(Continued)

*Primary Examiner* — Cathron C Brooks  
*Assistant Examiner* — Sharon S Oum  
(74) *Attorney, Agent, or Firm* — Chris J. Katopis

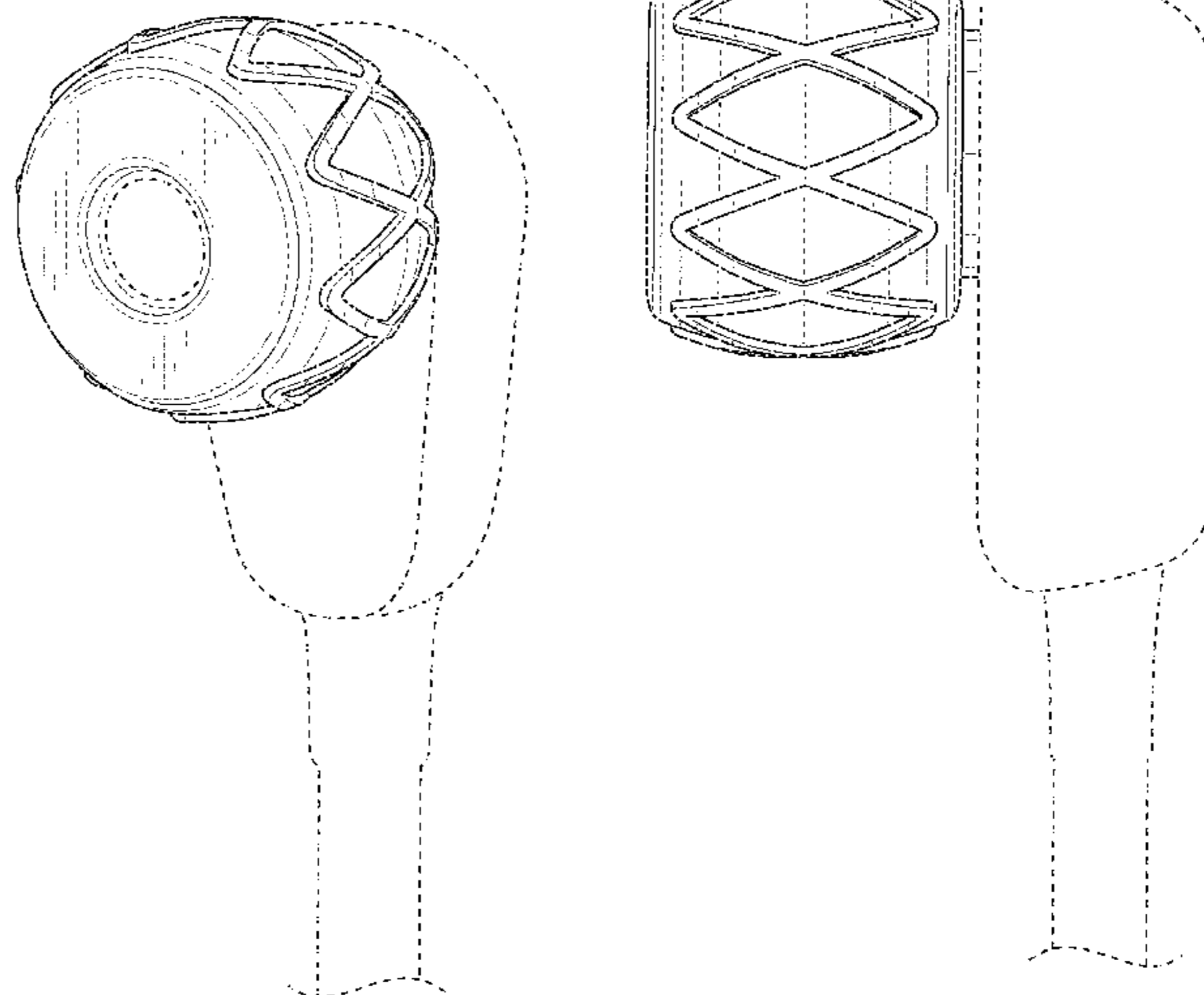
(57) **CLAIM**

The ornamental design for an earbud, as shown and described.

**DESCRIPTION**

FIG. 1. is a front perspective view of an earbud, showing the new design;  
FIG. 2 is a front view thereof;  
FIG. 3 is a back view thereof;  
FIG. 4 is a side view thereof;  
FIG. 5 is the opposite side view thereof;  
FIG. 6 is a top view thereof; and,  
FIG. 7 is a bottom view thereof.  
In all figures, the broken lines represent environmental subject matter that forms no part of the claimed design.

**1 Claim, 7 Drawing Sheets**



(56)

References Cited

U.S. PATENT DOCUMENTS

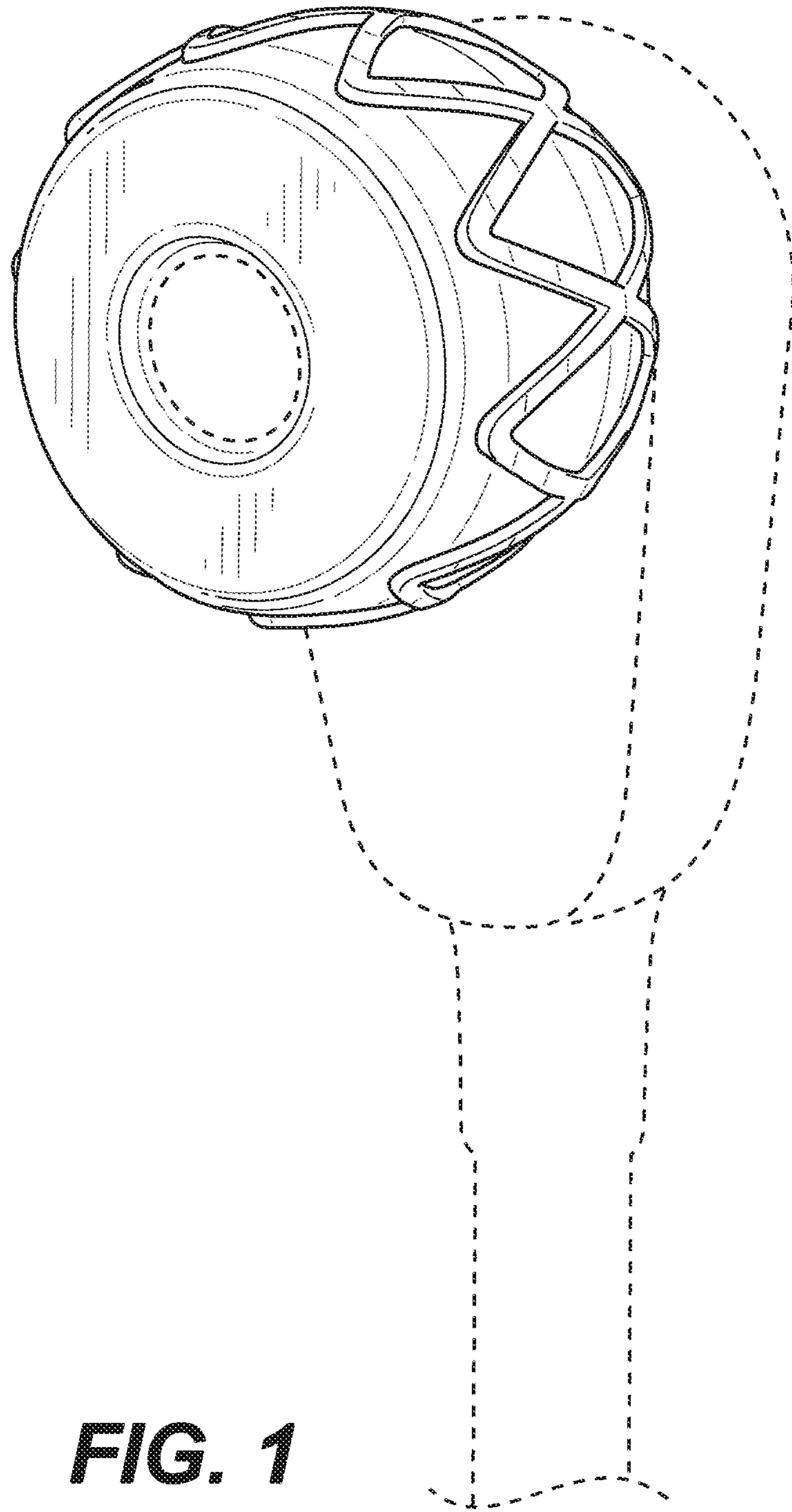
D600,675 S \* 9/2009 Lee ..... D14/205  
 D601,134 S 9/2009 Elabidi et al.  
 7,602,933 B2 \* 10/2009 Cartwright ..... A61F 11/008  
 128/867  
 D617,316 S 6/2010 Elabidi et al.  
 D618,209 S 6/2010 Andre et al.  
 D618,210 S 6/2010 Andre et al.  
 D618,670 S \* 6/2010 Tahara ..... D14/223  
 D619,566 S 7/2010 Yu  
 D627,338 S \* 11/2010 Koss ..... D14/223  
 D641,010 S 7/2011 Kwon  
 D643,415 S 8/2011 Vasquez  
 D647,081 S 10/2011 Kwon  
 D653,235 S 1/2012 McManigal  
 D656,481 S 3/2012 McManigal  
 D658,157 S 4/2012 McManigal  
 D660,291 S 5/2012 Thomas et al.  
 D666,169 S 8/2012 Tucker et al.  
 D666,996 S 9/2012 Hardi et al.  
 D674,271 S 1/2013 Rodwin  
 D676,415 S \* 2/2013 Erdel ..... D14/205  
 D676,417 S \* 2/2013 Masuda ..... D14/205  
 D687,418 S 8/2013 Godfrey  
 D689,472 S \* 9/2013 Erdel ..... D14/223  
 D700,905 S 3/2014 Pavitsich  
 D705,195 S \* 5/2014 Inukai ..... H04R 1/10  
 D14/223  
 D707,201 S 6/2014 Arjomand  
 D712,874 S 9/2014 Gauger, Jr. et al.  
 D715,272 S 10/2014 Burton  
 D716,771 S 11/2014 Burgett et al.

D717,281 S \* 11/2014 Zambelli ..... D14/223  
 D727,300 S \* 4/2015 Anderson ..... D14/223  
 D729,764 S 5/2015 Arjomand  
 D739,851 S 9/2015 Donohue, II et al.  
 D744,456 S 12/2015 Pedersen  
 D745,863 S 12/2015 Hardi  
 D756,970 S \* 5/2016 Ferber ..... D14/223  
 D757,681 S \* 5/2016 Kuskin ..... D14/205  
 D787,479 S \* 5/2017 Tong ..... D14/223  
 D789,910 S \* 6/2017 Katopis ..... D14/223  
 D794,612 S \* 8/2017 Katopis ..... D14/223  
 2007/0092094 A1 \* 4/2007 Gilbertson ..... H04R 25/60  
 381/328  
 2009/0252366 A1 \* 10/2009 Johnson ..... H04R 1/1091  
 381/380  
 2014/0219488 A1 \* 8/2014 Michel ..... H04R 25/652  
 381/329

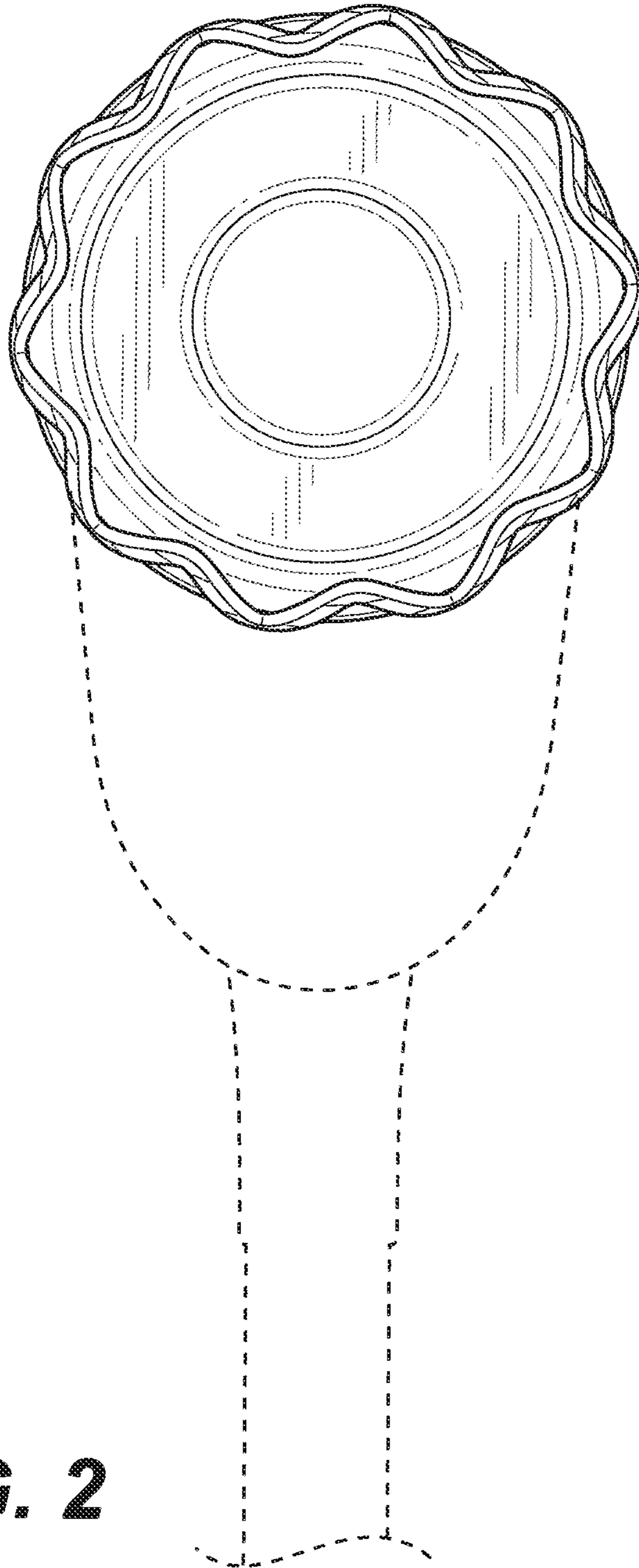
OTHER PUBLICATIONS

XDU Pathfinder Single Stereo-to-mono Noise Isolating Earphone, date first available Jun. 12, 2016, site visited Nov. 9, 2017, Copyright © 1996-2017, <[https://www.amazon.com/Pathfinder-Stereo-Isolating-Earphone-Reinforced/dp/B01FECB318/ref=sr\\_1\\_2?ie=UTF8&qid=1510245140&sr=8-2&keywords=xdu+pathfinder+single](https://www.amazon.com/Pathfinder-Stereo-Isolating-Earphone-Reinforced/dp/B01FECB318/ref=sr_1_2?ie=UTF8&qid=1510245140&sr=8-2&keywords=xdu+pathfinder+single)>.\*  
 “Etymotic Research ER-4(R) micorPro(R)—Earphones,” www.etymotic.com, [retrieved 2016-0304] <URL: <http://www.etymotic.com/consumer/earphones/er4.html>>.  
 “Burton Technologies LLC,” www.burtontechusa.com, [retrieved Mar. 4, 2016] <URL: <http://www.burtontechusa.com/>>.

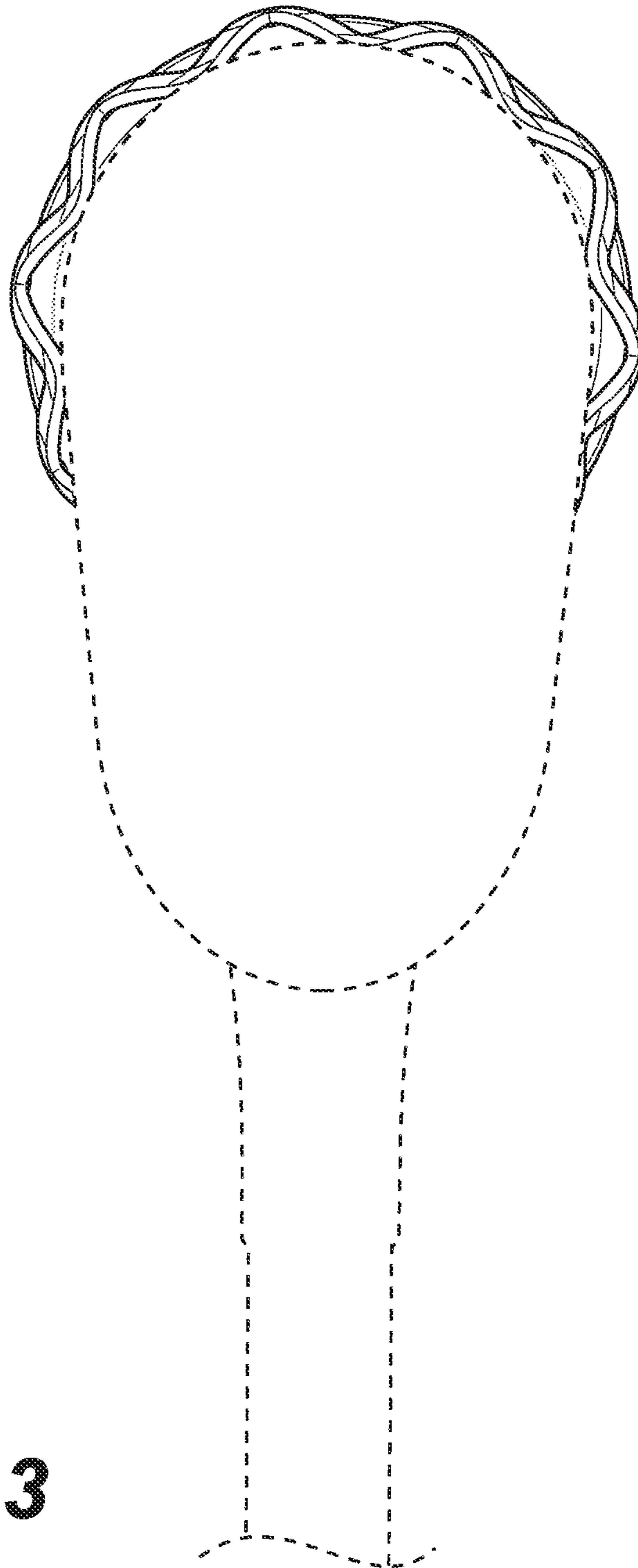
\* cited by examiner



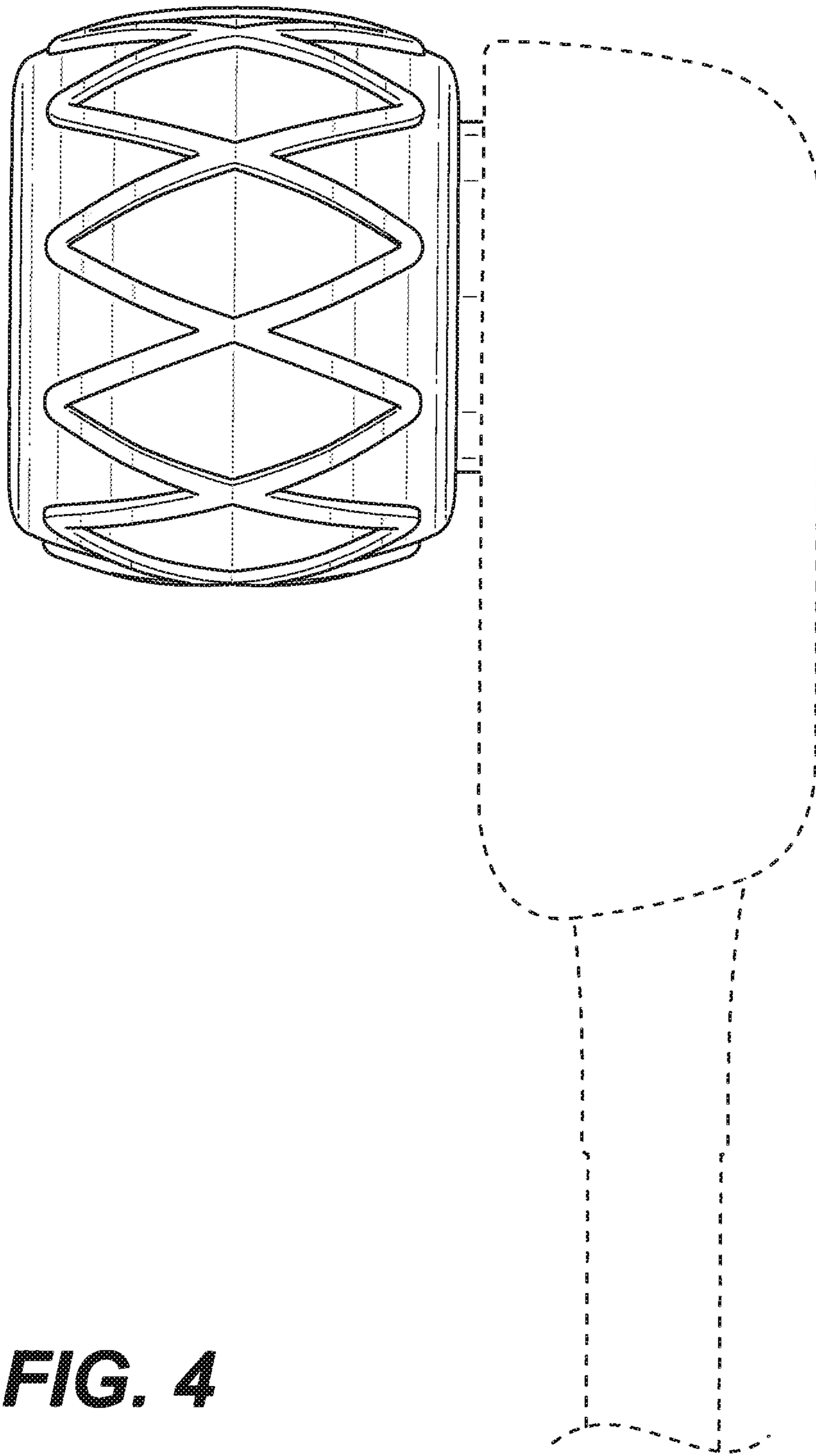
**FIG. 1**



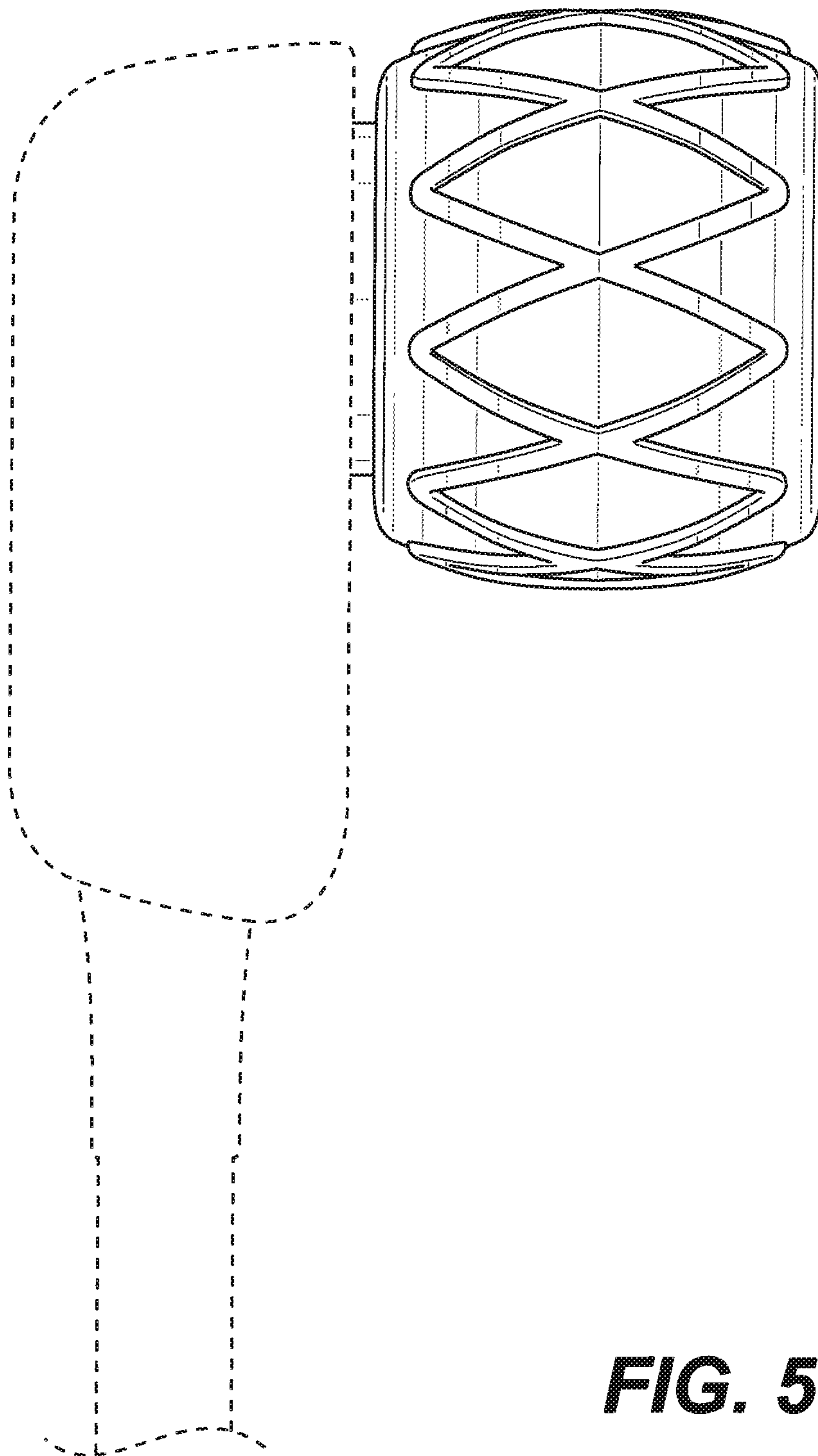
**FIG. 2**



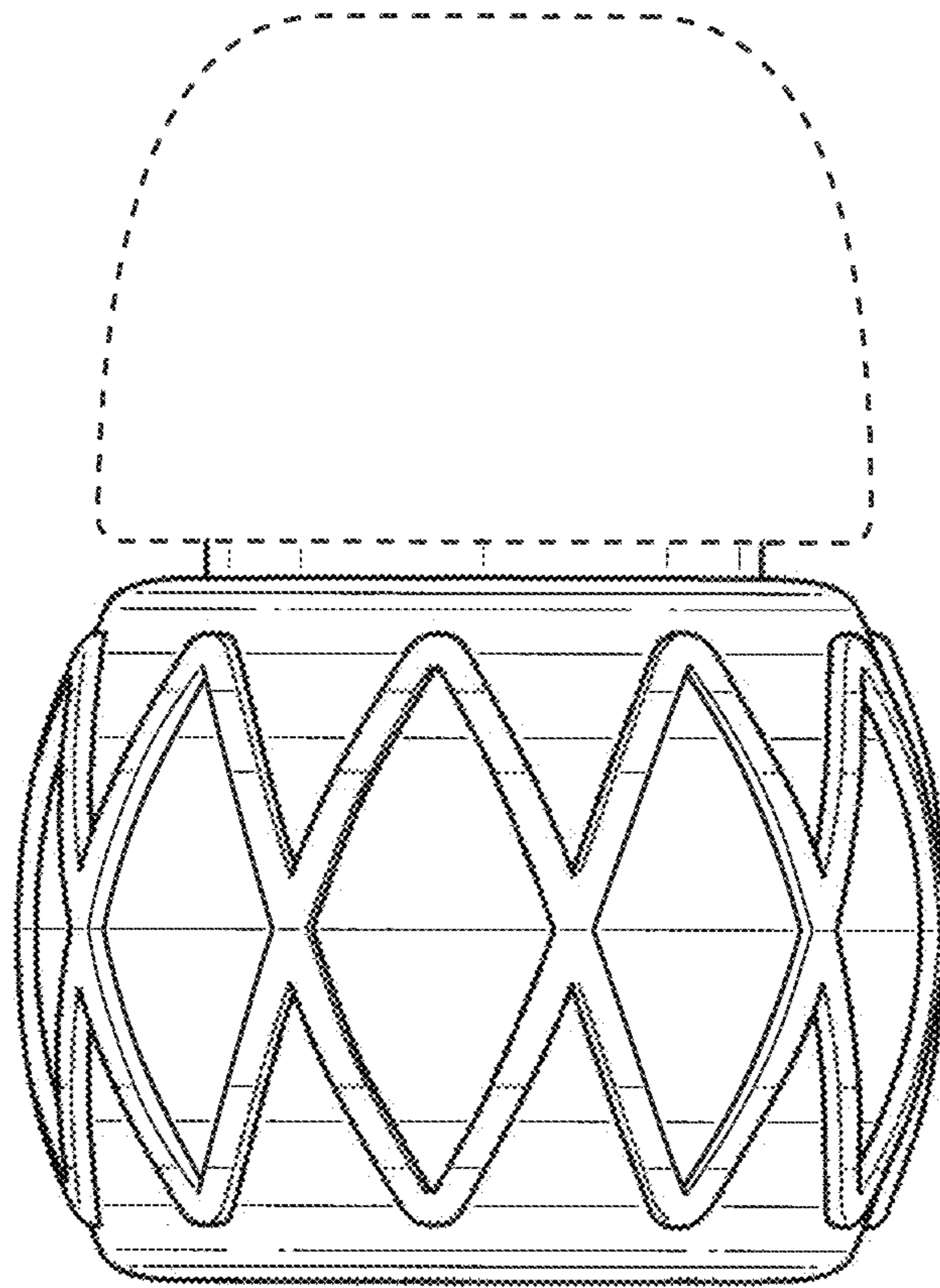
**FIG. 3**



**FIG. 4**

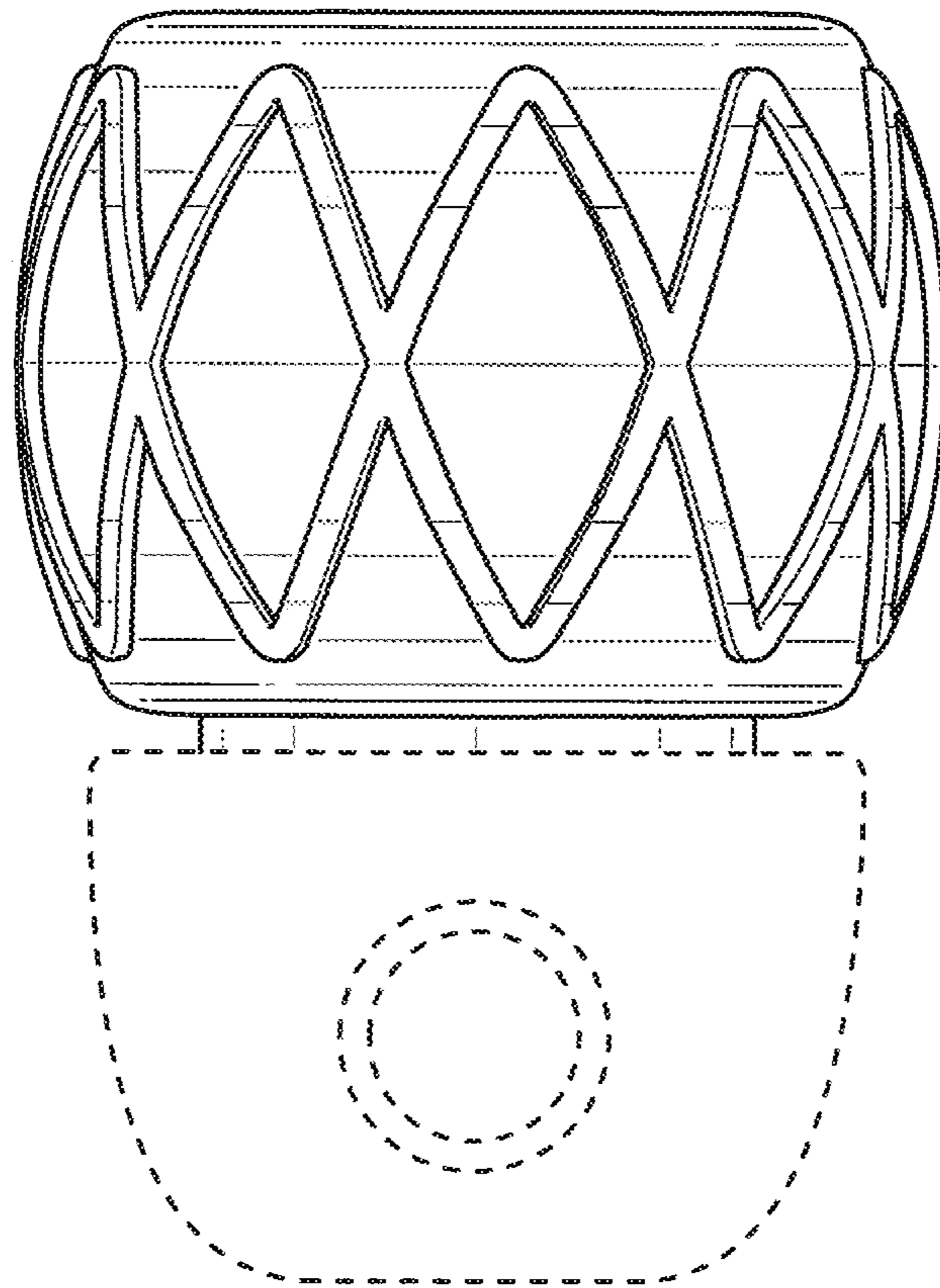


**FIG. 5**



**FIG. 6**





**FIG. 7**