



US00D813844S

(12) **United States Design Patent**
Stiff et al.

(10) **Patent No.:** **US D813,844 S**
(45) **Date of Patent:** **** Mar. 27, 2018**

(54) **HEADPHONE**
(71) Applicant: **Skullcandy, Inc.**, Park City, UT (US)
(72) Inventors: **Donald C. Stiff**, Portland, OR (US);
Peter M. Kelly, Park City, UT (US);
David G. Vogt, Jr., Salt Lake City, UT (US)
(73) Assignee: **Skullcandy, Inc.**, Park City, UT (US)

D435,036 S 12/2000 Koss et al.
D444,141 S * 6/2001 Koss D14/223
D449,592 S 10/2001 Koss
D482,348 S * 11/2003 Villaverde D14/223
D485,548 S 1/2004 Obata
D487,077 S * 2/2004 Obata D14/223
D499,397 S * 12/2004 Hlas D14/223
D510,337 S * 10/2005 Tages D14/205
D512,049 S * 11/2005 Yang D14/205
D519,107 S 4/2006 Yang
D519,108 S 4/2006 Yang
D550,657 S * 9/2007 Gan D14/223

(Continued)

(**) Term: **15 Years**

(21) Appl. No.: **29/533,620**

(22) Filed: **Jul. 20, 2015**

(51) **LOC (11) Cl.** **14-01**

(52) **U.S. Cl.**
USPC **D14/223**

(58) **Field of Classification Search**
USPC D14/205, 223; 181/129, 130, 135;
379/430, 431; 381/380, 381, 74;
455/90.3, 575.1
CPC H04R 1/10; H04R 25/00; H04R 1/1066;
H04R 1/1016
See application file for complete search history.

(56) **References Cited**

U.S. PATENT DOCUMENTS

4,972,492 A * 11/1990 Tanaka H04R 1/1016
181/130
5,410,608 A * 4/1995 Lucey H04R 1/083
381/360
D357,921 S * 5/1995 Ming-Chin D14/223
D377,796 S 2/1997 Hayashi
D382,874 S * 8/1997 Peschke D14/142
D395,657 S 6/1998 Leight
5,809,159 A * 9/1998 Lee H04M 1/05
381/174
D402,661 S 12/1998 Hayashi

FOREIGN PATENT DOCUMENTS

WO 2012024656 A2 2/2012

Primary Examiner — Paula Allen Greene

(74) *Attorney, Agent, or Firm* — TraskBritt

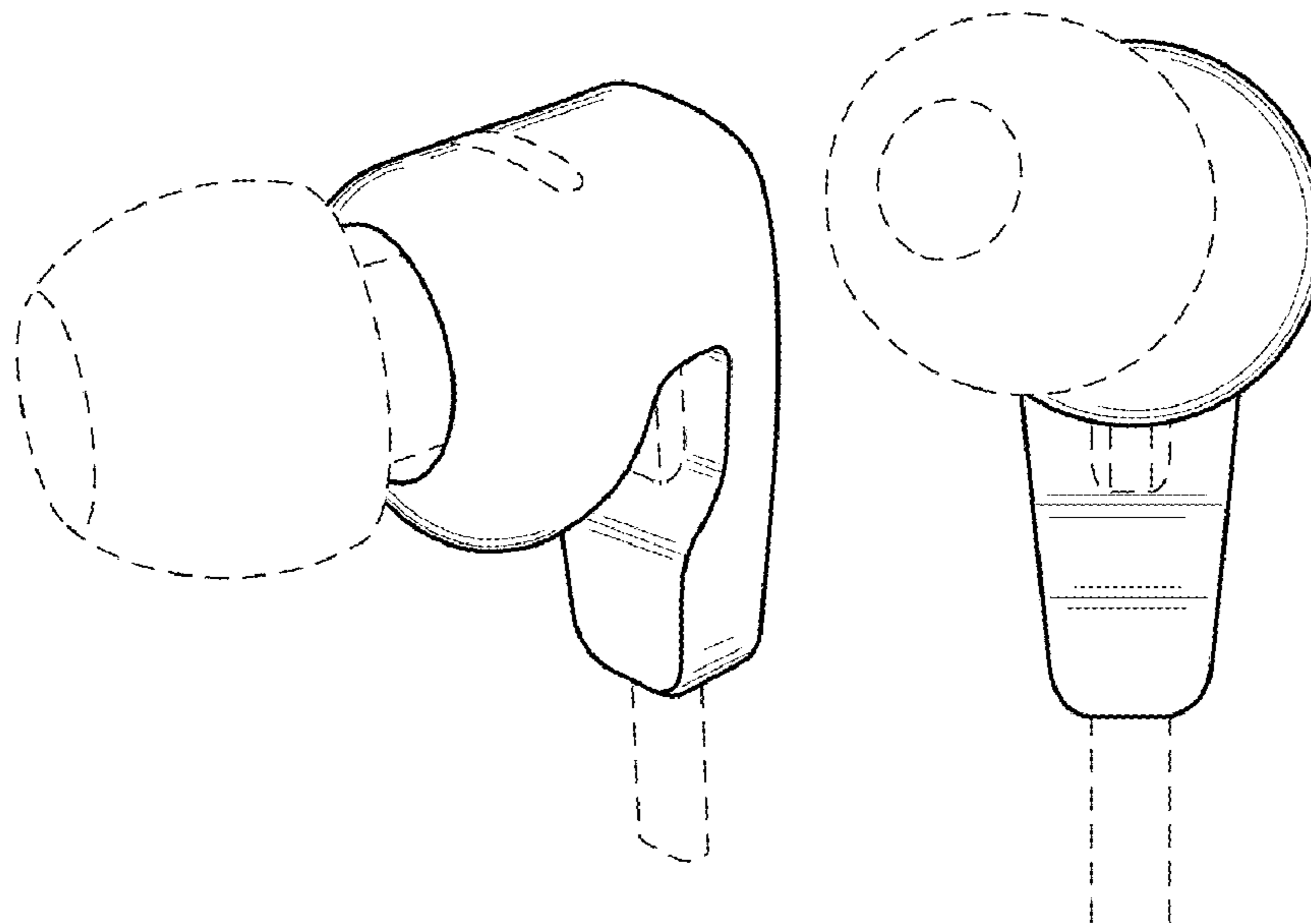
(57) **CLAIM**

The ornamental design for a headphone, as shown and described.

DESCRIPTION

FIG. 1 is a perspective view of a headphone showing our new design;
FIG. 2 is a front side view of the headphone shown in FIG. 1;
FIG. 3 is a back side view of the headphone shown in FIG. 1;
FIG. 4 is a left side view of the headphone shown in FIG. 1;
FIG. 5 is a right side view of the headphone shown in FIG. 1;
FIG. 6 is a top view of the headphone shown in FIG. 1; and,
FIG. 7 is a bottom view of the headphone shown in FIG. 1.
The broken lines in FIGS. 1-7 depict environment, are for illustrative purposes only, and do not form any part of the claimed design.

1 Claim, 2 Drawing Sheets



(56)

References Cited

U.S. PATENT DOCUMENTS

D554,109 S	*	10/2007	Ledbetter	D14/223	D641,738 S	*	7/2011	Perez	D14/223
D554,627 S		11/2007	Gondo			D643,417 S	*	8/2011	Lee	D14/223
D555,152 S	*	11/2007	Wang	D14/223	D653,235 S	*	1/2012	McManigal	D14/205
D557,689 S		12/2007	Huang			D656,129 S		3/2012	Kelly et al.		
D564,495 S		3/2008	Sasaki			D671,531 S	*	11/2012	Kim	D14/223
D566,099 S	*	4/2008	Komiyama	D14/206	D673,140 S	*	12/2012	Kelly	D14/223
D566,687 S	*	4/2008	Duarte	D14/205	D673,531 S	*	1/2013	Lee	D14/223
D572,242 S	*	7/2008	Yang	D14/205	D674,376 S		1/2013	Kelly et al.		
D572,703 S		7/2008	Ledbetter et al.			8,457,557 B2		6/2013	Alden		
D574,361 S		8/2008	Sasaki			D685,767 S		7/2013	Kelly et al.		
D576,154 S		9/2008	Ledbetter et al.			D687,418 S	*	8/2013	Godfrey	D14/223
D579,005 S		10/2008	Wilhelmsen			8,515,115 B2		8/2013	Kelly et al.		
D579,444 S		10/2008	Ewert et al.			D697,050 S	*	1/2014	Thompson	D14/206
D583,804 S	*	12/2008	Mahler	D14/223	D697,058 S	*	1/2014	Thompson	D14/205
D587,681 S		3/2009	Yanai			D701,196 S		3/2014	Kelly et al.		
D591,721 S		5/2009	Densho			8,712,087 B2	*	4/2014	Ozawa	H04R 1/345 181/130
D600,675 S		9/2009	Lee et al.			D707,652 S	*	6/2014	Brunner	D14/205
D601,548 S		10/2009	Morisawa			D719,550 S	*	12/2014	Yang	D14/223
D602,475 S		10/2009	Martin			D728,533 S		5/2015	Poulsen et al.		
D603,379 S		11/2009	Harbeke et al.			9,055,365 B2		6/2015	Kelly et al.		
D603,380 S		11/2009	Hutchieson			D740,786 S	*	10/2015	Huang	D14/205
D604,272 S	*	11/2009	Kitayama	D14/223	D741,287 S	*	10/2015	Harata	D14/205
D605,182 S		12/2009	Fagnot			D747,702 S	*	1/2016	Breines	D14/223
D624,057 S		9/2010	Kelly et al.			D761,760 S	*	7/2016	Poulsen	D14/205
D627,765 S	*	11/2010	Zheng	D14/223	D762,196 S	*	7/2016	Hsieh	D14/223
D641,008 S	*	7/2011	Lee	D14/223	2013/0336514 A1		12/2013	Kelly et al.		
						2014/0270230 A1		9/2014	Oishi et al.		

* cited by examiner

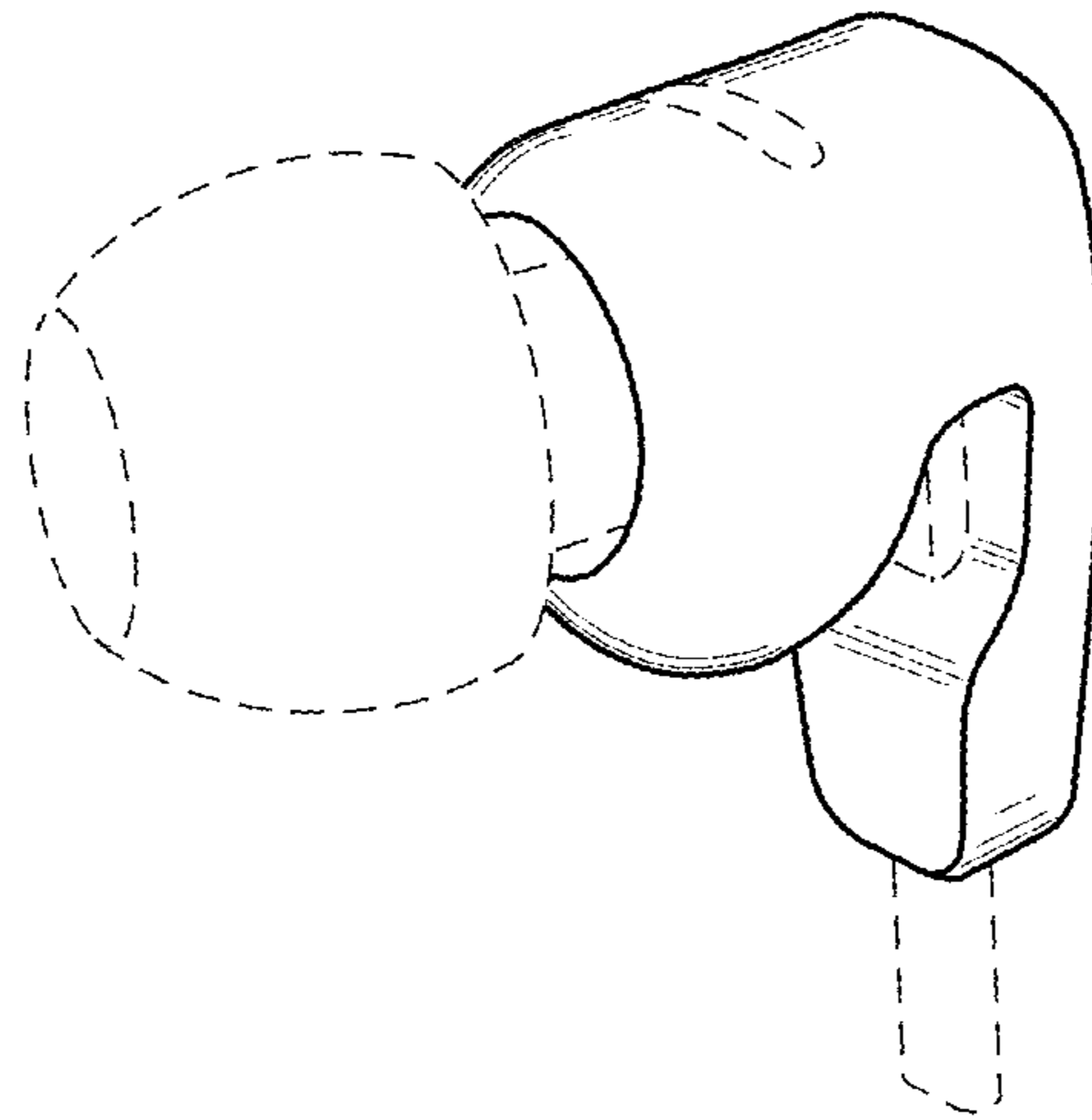


FIG. 1

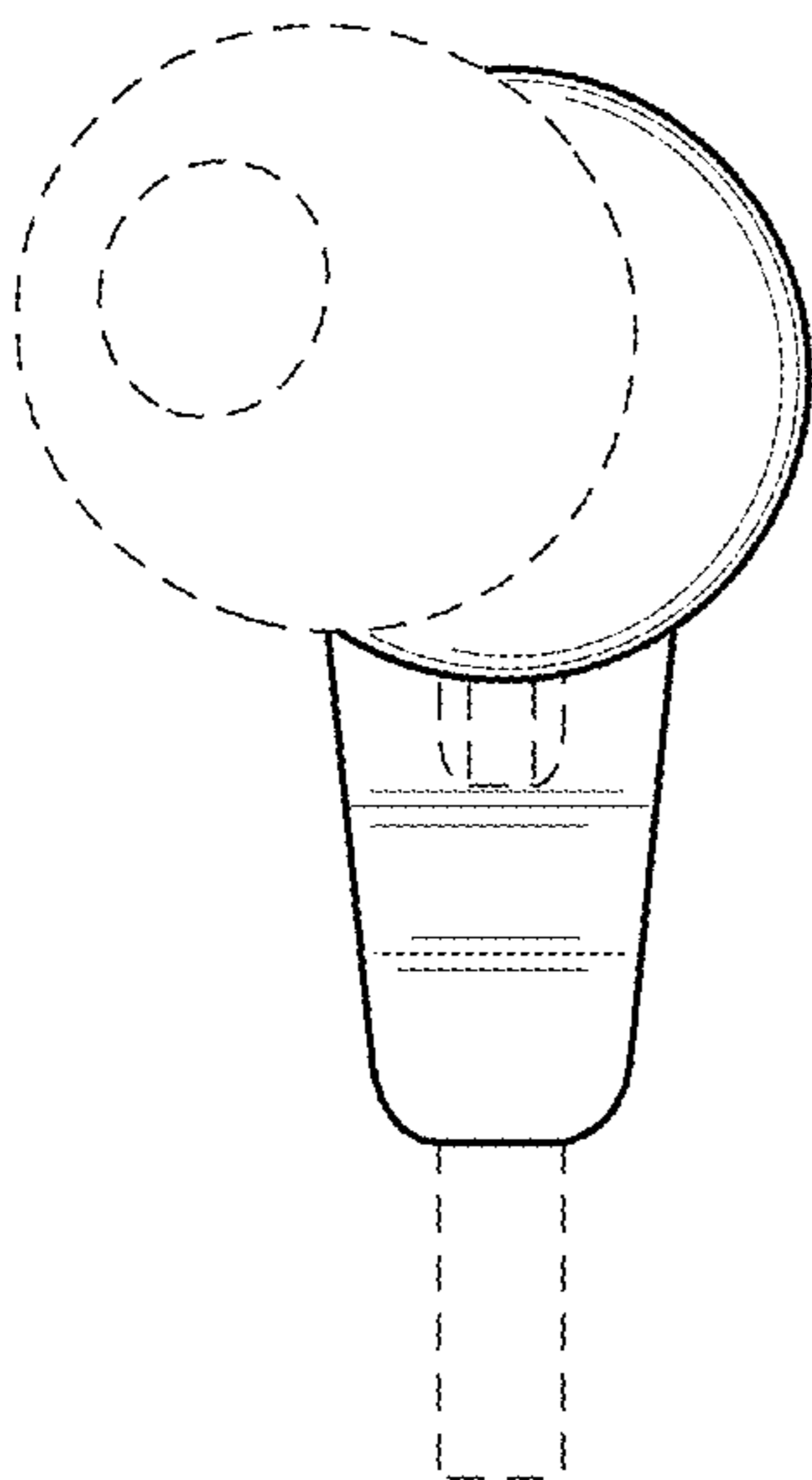


FIG. 2

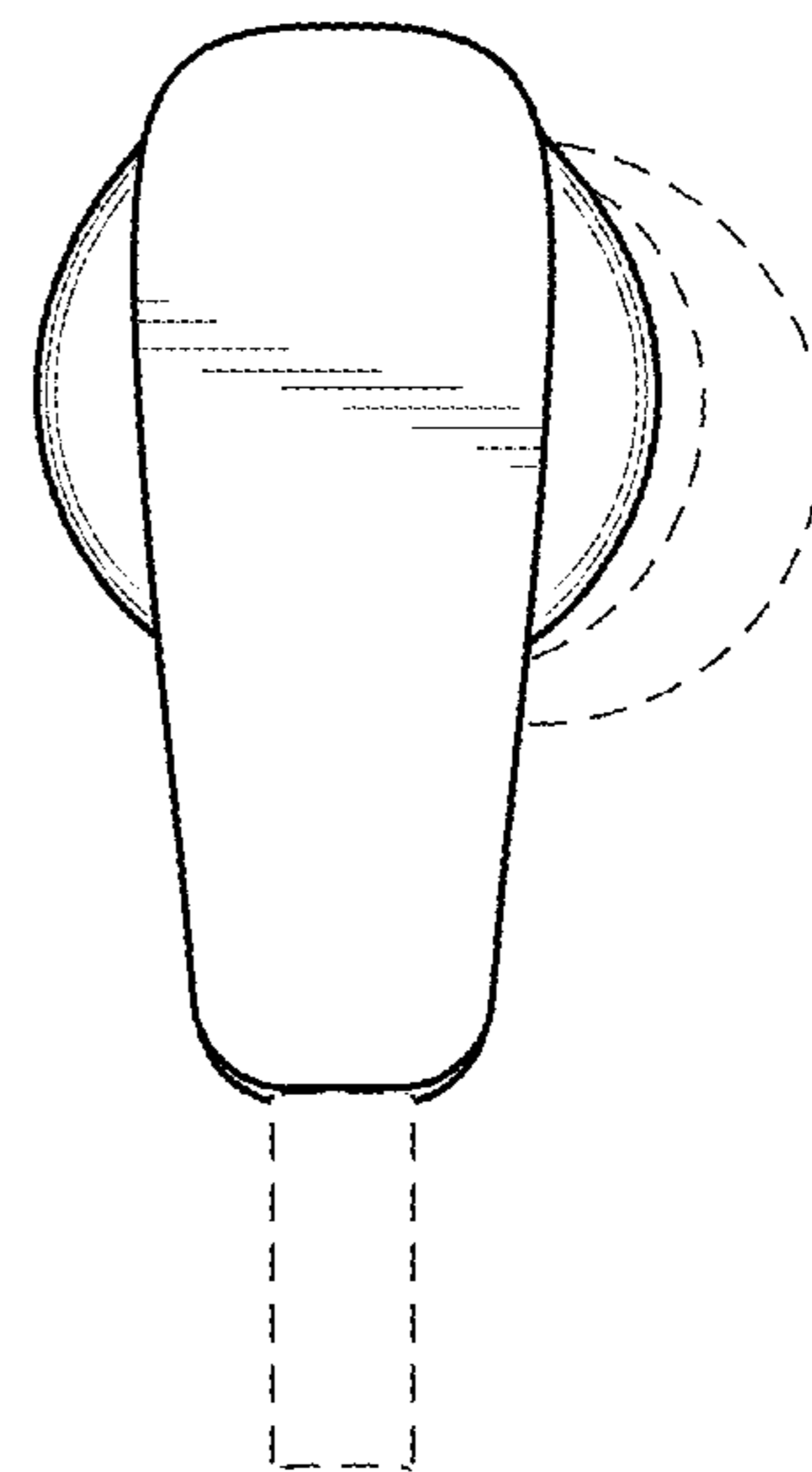


FIG. 3

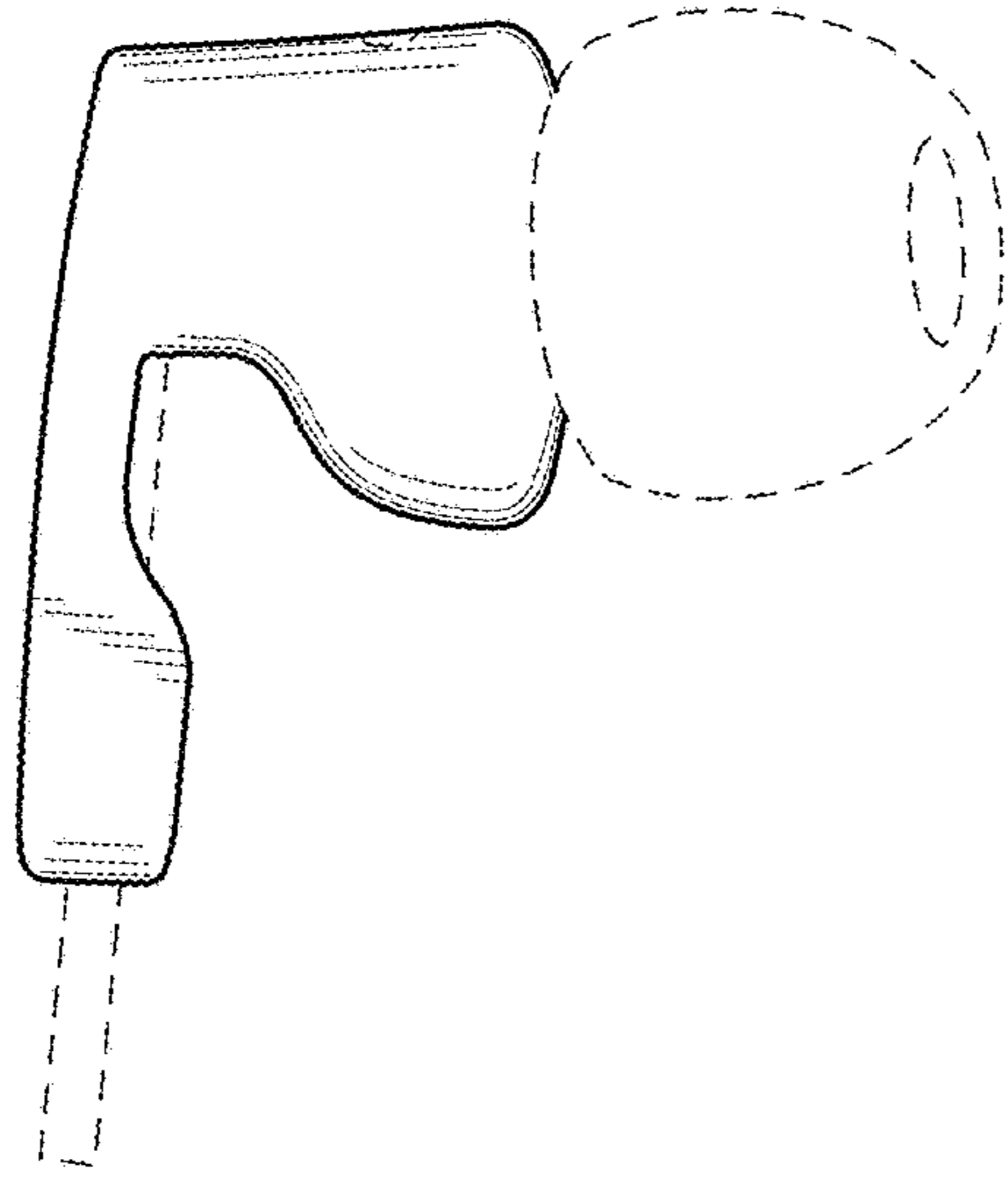


FIG. 4

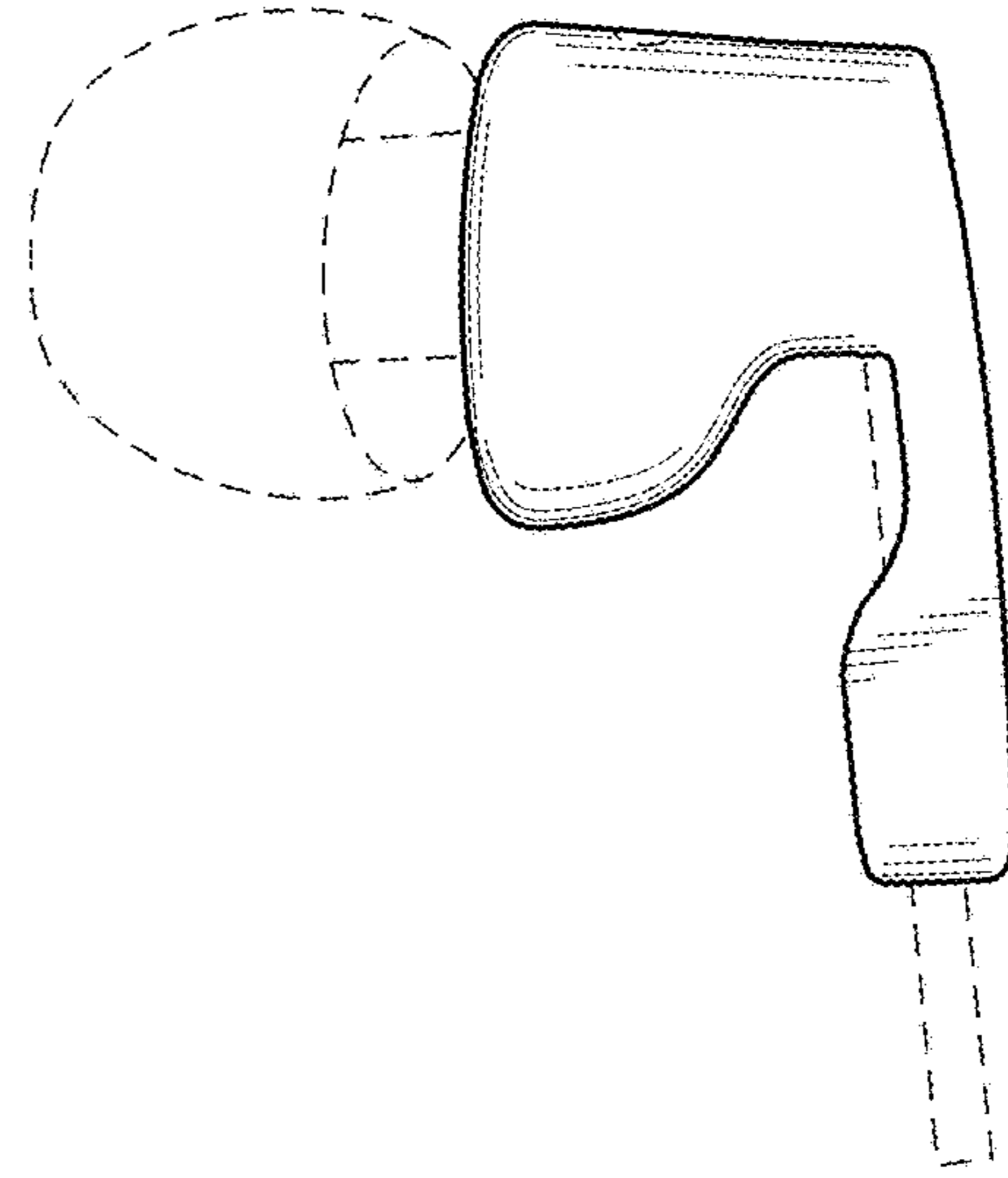


FIG. 5

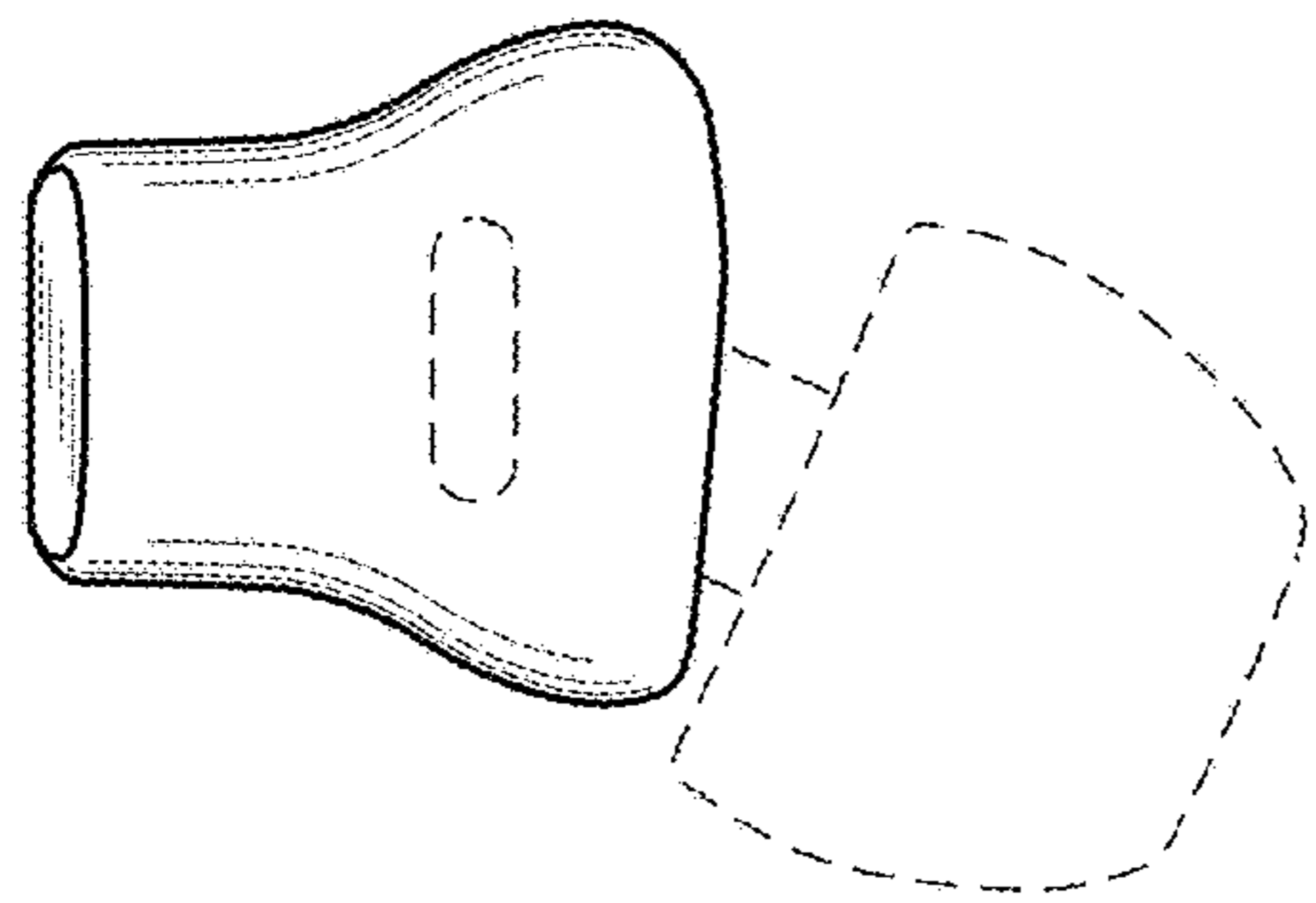


FIG. 6

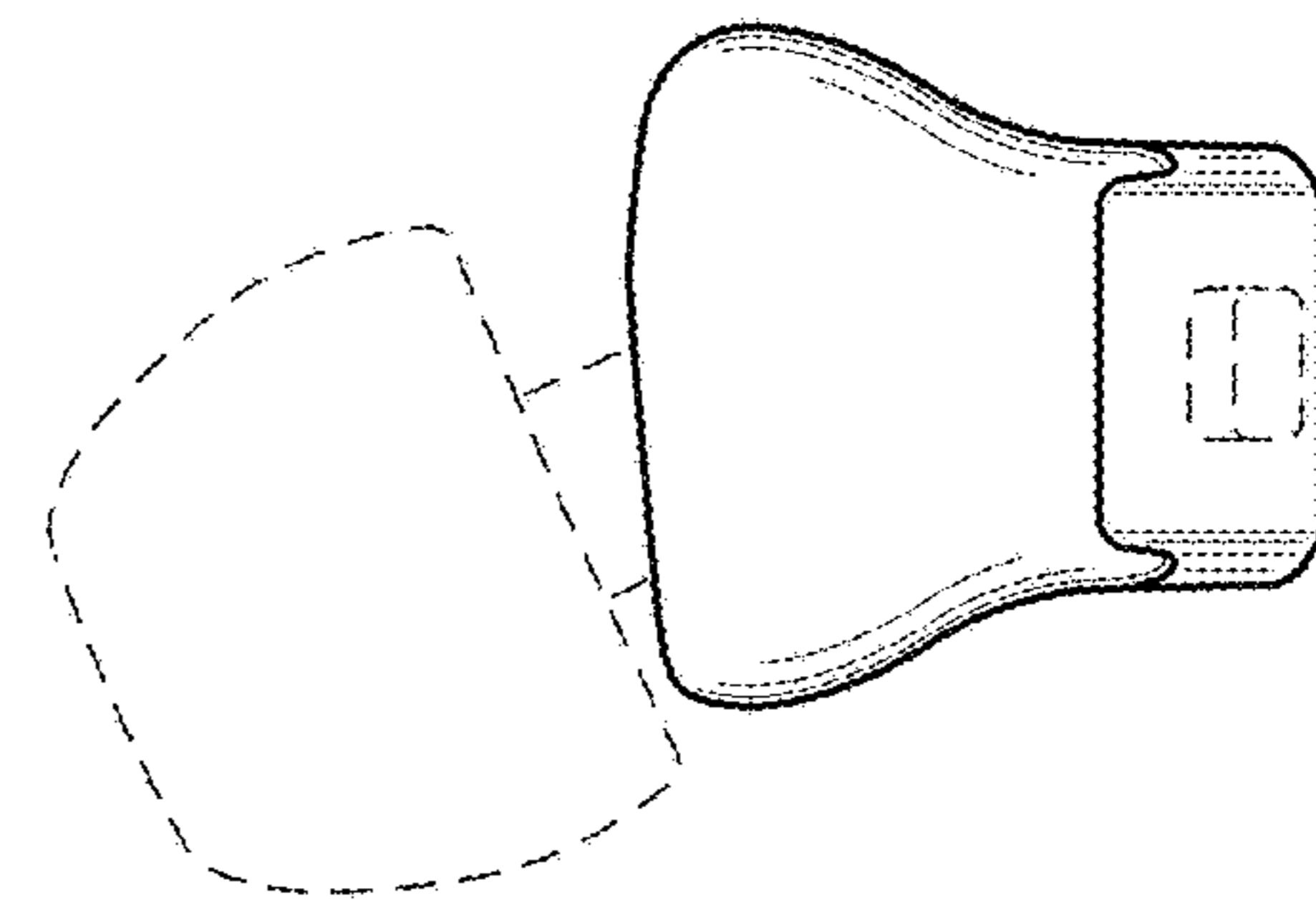


FIG. 7